



US00D635681S

(12) **United States Design Patent**
Edwards et al.

(10) **Patent No.:** **US D635,681 S**
(45) **Date of Patent:** **** Apr. 5, 2011**

(54) **PATIENT-MONITOR HOUSING**

(75) Inventors: **Ian K Edwards**, Skaneateles, NY (US);
Shawn St. Pierre, Syracuse, NY (US);
Thaddeus J Wawro, Auburn, NY (US);
Scott A Martin, Warners, NY (US);
Adam Leonards, El Cerrito, CA (US);
Alex Millie, San Francisco, CA (US)

(73) Assignee: **Welch Allyn, Inc.**, Skaneateles Falls, NY (US)

(**) Term: **14 Years**

(21) Appl. No.: **29/366,255**

(22) Filed: **Jul. 22, 2010**

(51) **LOC (9) Cl.** **24-01**

(52) **U.S. Cl.** **D24/186**

(58) **Field of Classification Search** D24/107,
D24/111, 164-165, 168-169, 185-186, 167;
600/301, 481, 483-485, 509, 513, 519, 544;
128/900; D10/81, 104; D14/381, 126, 371
See application file for complete search history.

(56) **References Cited**

U.S. PATENT DOCUMENTS

5,261,080	A	11/1993	Khoyi et al.	
5,307,262	A	4/1994	Ertel	
5,446,880	A	8/1995	Balgeman et al.	
5,708,828	A	1/1998	Coleman	
5,710,908	A	1/1998	Man	
5,721,895	A	2/1998	Velissaropoulos et al.	
D393,072	S *	3/1998	Rogler	D24/186
5,734,907	A	3/1998	Jarossay et al.	
D395,513	S *	6/1998	Rogler	D24/186
D398,293	S *	9/1998	Lindblom	D14/381
5,857,195	A	1/1999	Hayashi et al.	
5,892,925	A	4/1999	Aditya et al.	
5,999,979	A	12/1999	Vellanki et al.	

(Continued)

FOREIGN PATENT DOCUMENTS

EP 0707824 4/1996
(Continued)

OTHER PUBLICATIONS

Colin Prodigy Press-Mate Prodigy II® Portable Vital Signs Monitors, DRE, Copyright 2009, accessed at: http://www.dremed.com/catalog/product_info.php/products_id/1181; 5 pages.

(Continued)

Primary Examiner — T. Chase Nelson

Assistant Examiner — Mark Cavanna

(74) *Attorney, Agent, or Firm* — Roger P. Bonenfant

(57) **CLAIM**

The ornamental design for a patient-monitor housing, as shown and described.

DESCRIPTION

FIG. 1 is a top perspective view of the patient-monitor housing showing our new design;

FIG. 2 is a bottom perspective view of the patient-monitor housing shown in FIG. 1;

FIG. 3 is a front view of the patient-monitor housing shown in FIG. 1;

FIG. 4 is a rear view of the patient-monitor housing shown in FIG. 1;

FIG. 5 is a top view of the patient-monitor housing shown in FIG. 1;

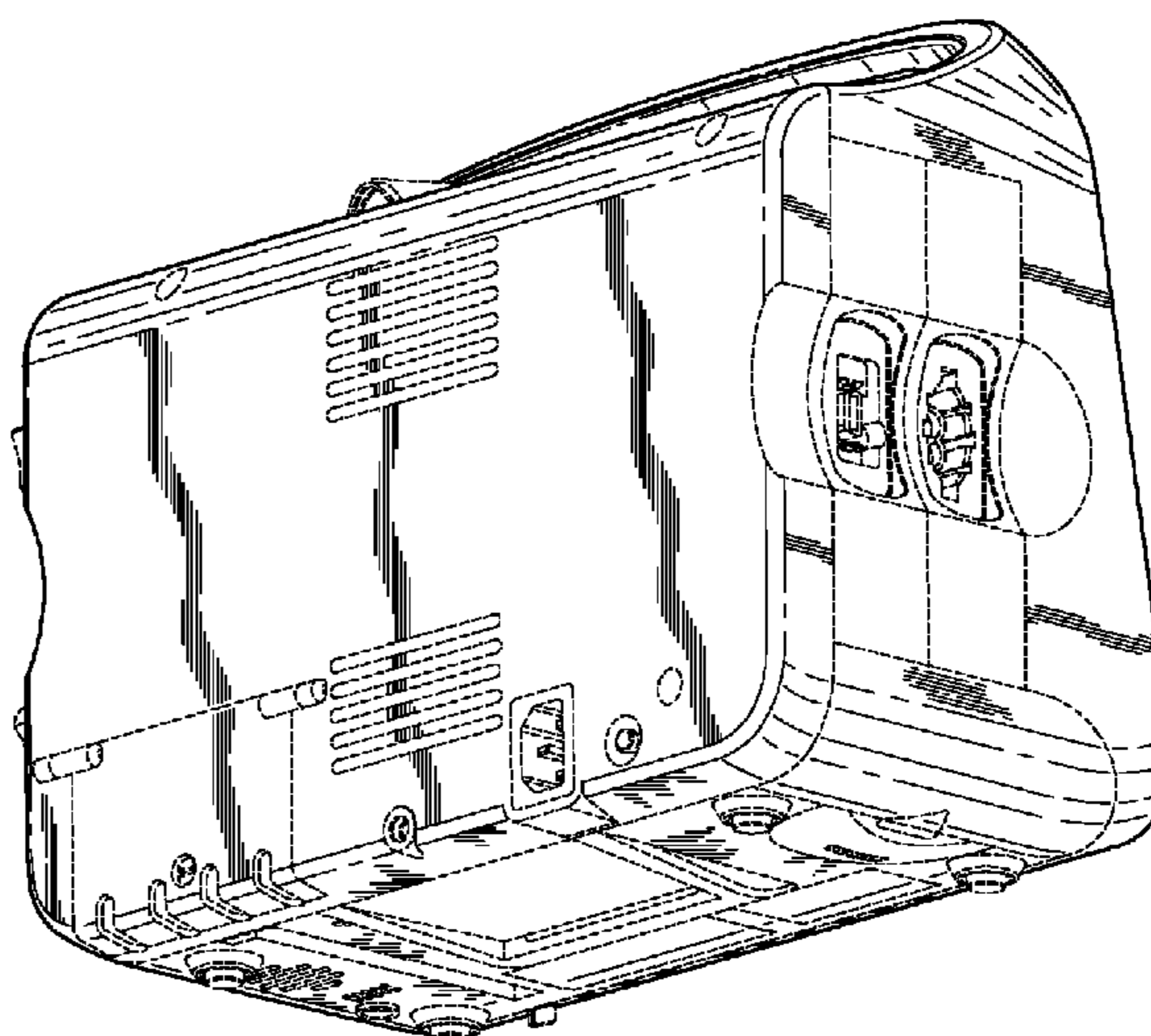
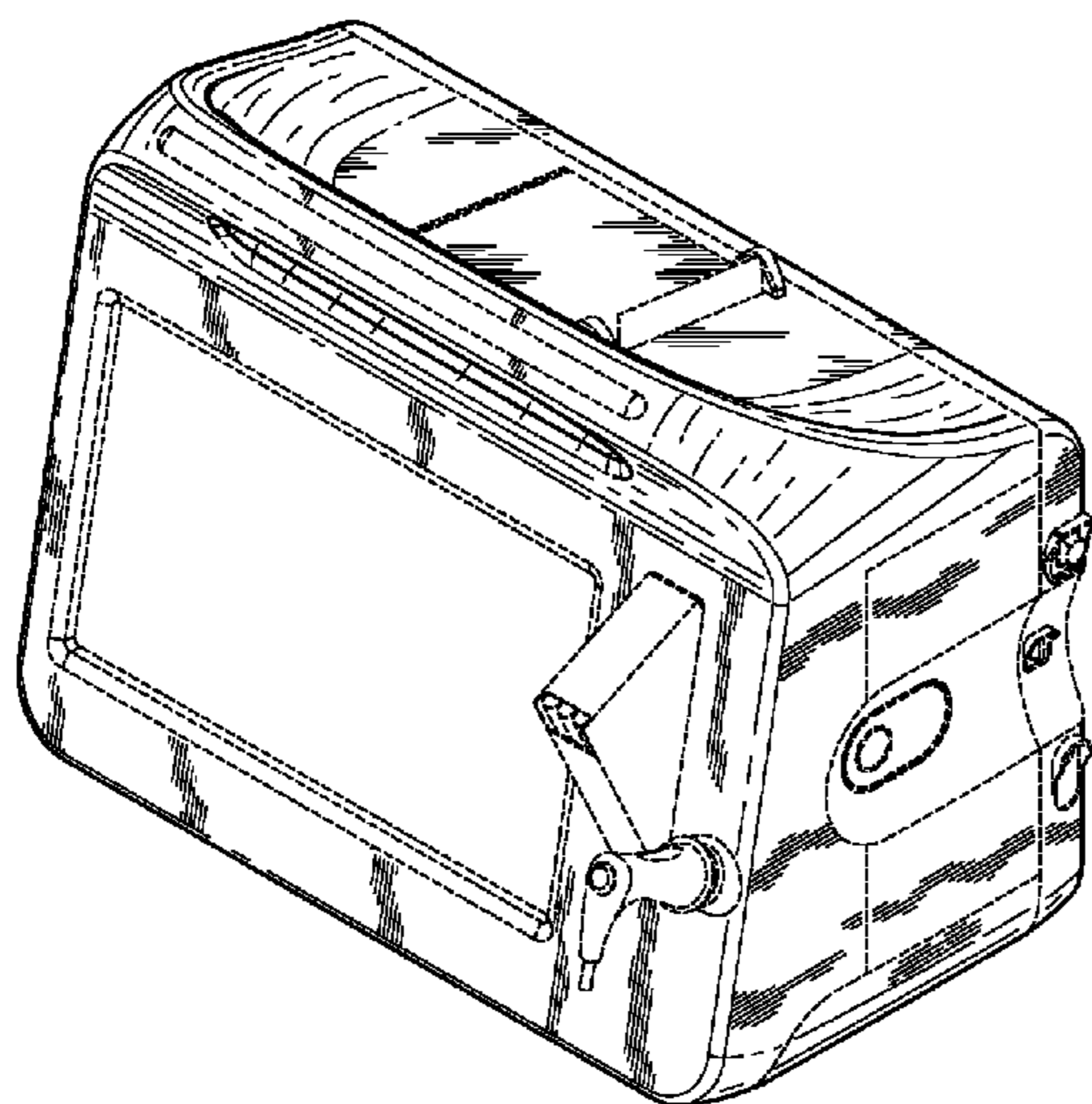
FIG. 6 is a bottom view of the patient-monitor housing shown in FIG. 1;

FIG. 7 is a right-side view of the patient-monitor housing shown in FIG. 1; and,

FIG. 8 is a left-side view of the patient-monitor housing shown in FIG. 1.

The broken lines shown herein are for illustrative purposes only and form no part of the claimed design. The unshaded portions and seam lines shown in broken lines form no part of the claimed design.

1 Claim, 5 Drawing Sheets



U.S. PATENT DOCUMENTS

6,026,392 A 2/2000 Kouchi et al.
 6,130,917 A 10/2000 Monroe
 6,190,313 B1 2/2001 Hinkle
 6,249,668 B1 6/2001 Abe et al.
 6,250,309 B1 6/2001 Krichen et al.
 6,275,869 B1 8/2001 Sieffert et al.
 6,400,286 B1 6/2002 Cooper
 6,584,445 B2 6/2003 Papageorge
 6,625,617 B2 9/2003 Yarnall et al.
 6,633,833 B2 10/2003 Sharma et al.
 6,644,322 B2 11/2003 Webb
 6,651,104 B1 11/2003 Moon
 6,669,631 B2 12/2003 Norris et al.
 6,697,103 B1 2/2004 Fernandez et al.
 6,721,286 B1 4/2004 Williams et al.
 D491,270 S * 6/2004 Barker D24/186
 6,766,361 B1 7/2004 Venigalla
 6,792,431 B2 9/2004 Tamboli et al.
 6,801,331 B1 10/2004 Motoyama
 6,839,717 B1 1/2005 Motoyama et al.
 6,848,108 B1 1/2005 Caron
 6,915,312 B2 7/2005 Bodnar et al.
 6,940,807 B1 9/2005 Rezvani et al.
 6,942,616 B2 9/2005 Kerr, II
 6,951,539 B2 10/2005 Bardy
 D512,151 S * 11/2005 Ward et al. D24/111
 6,978,422 B1 12/2005 Bushe et al.
 6,993,536 B2 1/2006 Yamanaka
 7,016,963 B1 3/2006 Judd et al.
 7,054,924 B1 5/2006 Harvey et al.
 7,124,299 B2 10/2006 Dick et al.
 7,134,994 B2 11/2006 Alpert et al.
 D549,831 S * 8/2007 Ward et al. D24/186
 D552,741 S * 10/2007 Zhou et al. D24/186
 7,336,187 B2 2/2008 Hubbard et al.
 7,360,154 B2 4/2008 Gale
 7,408,932 B2 8/2008 Kounavis et al.
 D592,754 S * 5/2009 Koike et al. D24/186
 D600,814 S * 9/2009 Lathrop et al. D24/186
 D621,511 S * 8/2010 Lathrop et al. D24/167
 D624,654 S * 9/2010 Shimizu D24/186
 2001/0023315 A1 9/2001 Flach et al.
 2002/0010797 A1 1/2002 Moulton
 2002/0037035 A1 3/2002 Singh
 2002/0072933 A1 6/2002 Vonk et al.
 2002/0099854 A1 7/2002 Jorgensen
 2002/0143824 A1 10/2002 Lee et al.
 2002/0184384 A1 12/2002 Simmon et al.
 2003/0037043 A1 2/2003 Chang et al.
 2003/0074248 A1 4/2003 Braud et al.
 2003/0233250 A1 12/2003 Joffe et al.
 2004/0044545 A1 3/2004 Wiesmann et al.
 2004/0088374 A1 5/2004 Webb et al.
 2004/0143677 A1 7/2004 Novak
 2004/0172442 A1 9/2004 Ripley
 2004/0176983 A1 9/2004 Birkett et al.
 2004/0215830 A1 10/2004 Shenfield
 2005/0054921 A1 3/2005 Katsman et al.
 2005/0071316 A1 3/2005 Caron
 2005/0071324 A1 3/2005 Bitsch et al.
 2005/0071486 A1 3/2005 Vu et al.
 2005/0091358 A1 4/2005 Mehra et al.
 2005/0154855 A1 7/2005 Harris et al.

2005/0165947 A1 7/2005 Auriemma et al.
 2005/0198364 A1 9/2005 Val et al.
 2005/0204022 A1 9/2005 Johnston et al.
 2006/0017563 A1 1/2006 Rosenfeld et al.
 2006/0069605 A1 3/2006 Hatoun
 2006/0111936 A1 5/2006 Mahesh et al.
 2006/0129435 A1 6/2006 Smitherman et al.
 2006/0168513 A1 7/2006 Coulson et al.
 2006/0229557 A1 10/2006 Fathallah et al.
 2007/0061393 A1 3/2007 Moore
 2007/0156726 A1 7/2007 Levy
 2007/0167694 A1 7/2007 Causevic et al.
 2007/0276261 A1 11/2007 Banet et al.
 2008/0052384 A1 2/2008 Marl et al.
 2008/0055074 A1 3/2008 Gao et al.
 2008/0082683 A1 4/2008 DelloStrito et al.
 2008/0103375 A1 5/2008 Kiani
 2008/0131761 A1 6/2008 Liu et al.
 2008/0133699 A1 6/2008 Craw et al.
 2008/0134133 A1 6/2008 DelloStrito et al.
 2008/0140770 A1 6/2008 DelloStrito et al.
 2008/0249377 A1 10/2008 Molducci et al.
 2008/0281168 A1 11/2008 Gibson et al.
 2009/0037514 A1 2/2009 Lankford et al.
 2009/0143652 A1 6/2009 Warburton et al.
 2009/0149927 A1 6/2009 Kneuer et al.
 2009/0240116 A1 9/2009 Bluth
 2009/0275810 A1 11/2009 Ayers et al.
 2009/0306488 A1 12/2009 Al-Ali et al.
 2010/0005448 A1 1/2010 DelloStrito et al.

FOREIGN PATENT DOCUMENTS

WO WO 03/067842 8/2003
 WO WO 2006/105139 10/2006

OTHER PUBLICATIONS

Fingertip Pulse Oximeter SPO2 Monitor Oxigen Oximeter; Copyright 1995-2010, accessed at: [Handheld Pulse Oximeter PM-60A, Contec Medical System Co. Ltd., Jul. 31, 2009; accessed at: \[NTIA Handheld Pulse Oximeter, Frontline Systems; Dec. 31, 2009, accessed at: \\[U.S. Appl. No. 12/751,602, filed Mar. 31, 2010 \\\(10156.0006US01\\\).
 U.S. Appl. No. 29/353,090, filed Dec. 31, 2009 \\\(10156.0003US01\\\).\\]\\(http://www.tradeindia.com/fp385774/NTIA-Handheld-Pulse-Oximeter.html; 3 pages.

 Portable Patient Monitors, Welch Allyn, Copyright 2005-2006 Med-Direct, Copyright 2005-2006, accessed at: <a href=\\)\]\(http://www.tradeindia.com/selloffer/1858593/Handheld-Pulse-Oximeter-PM-60A.html; 5 pages.

 International Search Report and Written Opinion for International Application No. PCT/US2006/011373, mailed Feb. 6, 2008 \(12 pages\).

 Multiple Vital Signs from One Non-invasive Sensor, Starr™ Life Sciences Corp., Copyright 2009, accessed at: <a href=\)](http://74.125.45.132/search?q=cache:ANfHne9je7gJ:cgi.ebay.com.sg/ws/eBayISAPI.dll%3FViewItem%26item%3D260412542031+\)

* cited by examiner

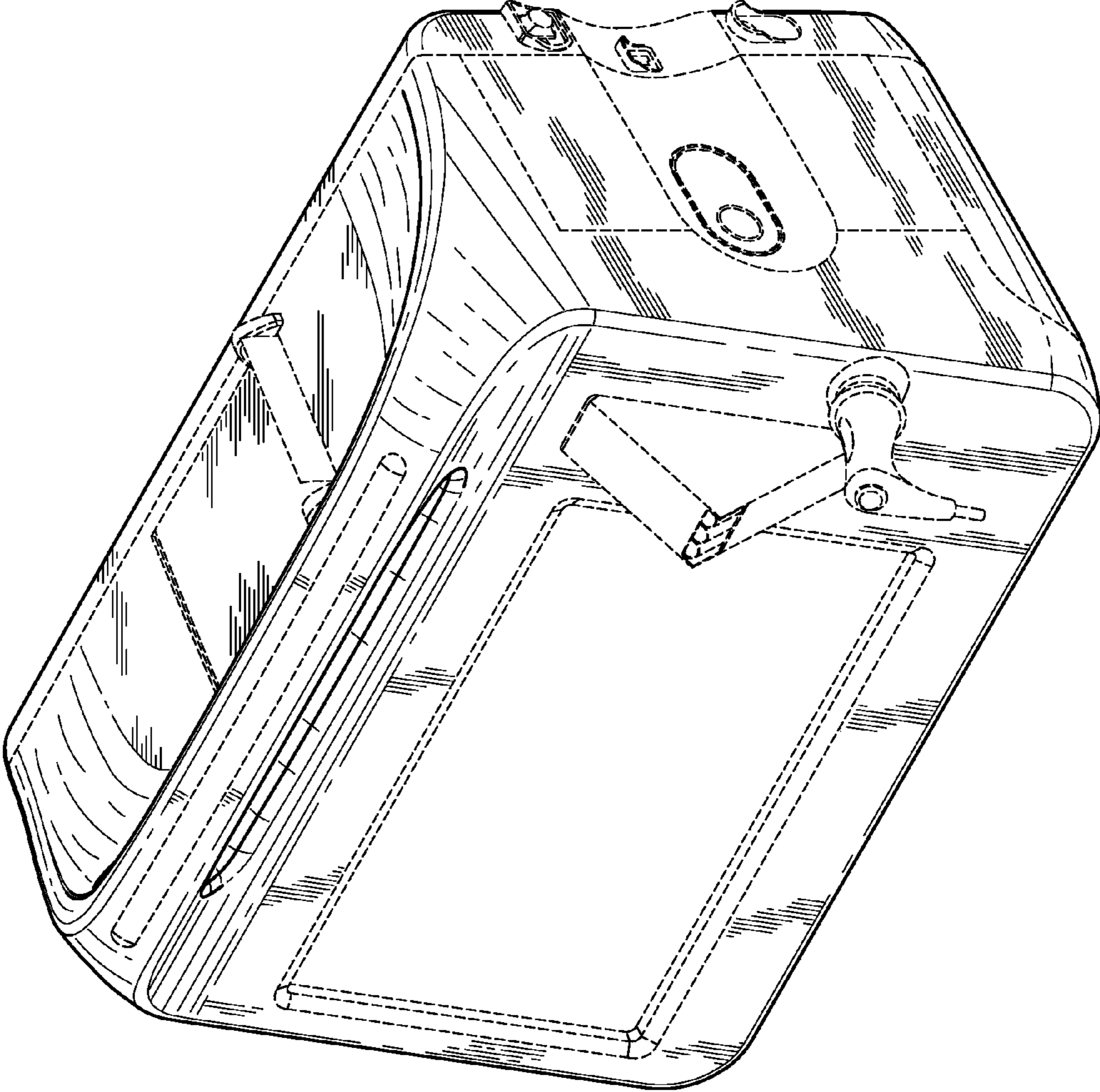


FIG. 1

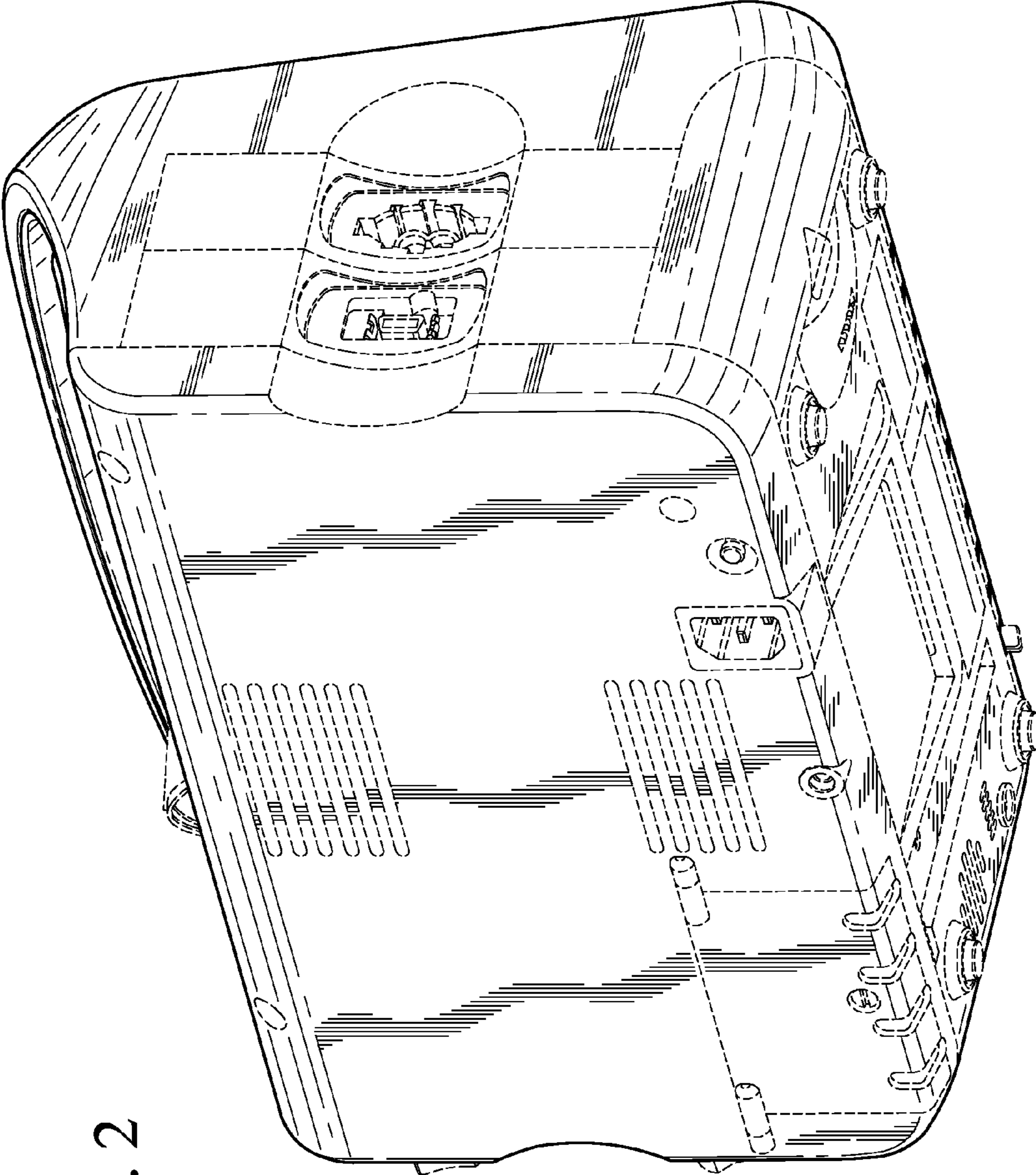


FIG. 2

FIG. 3

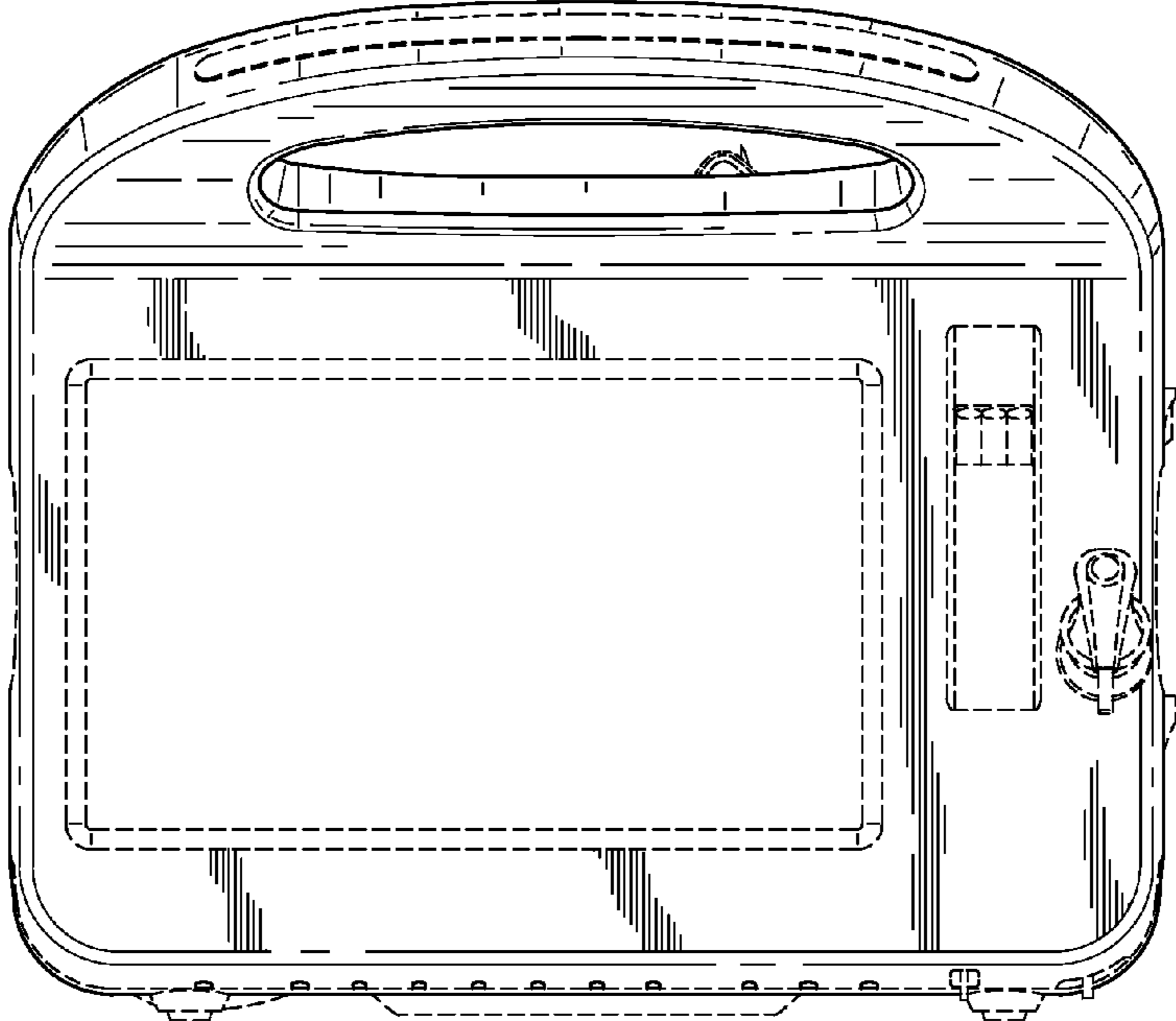
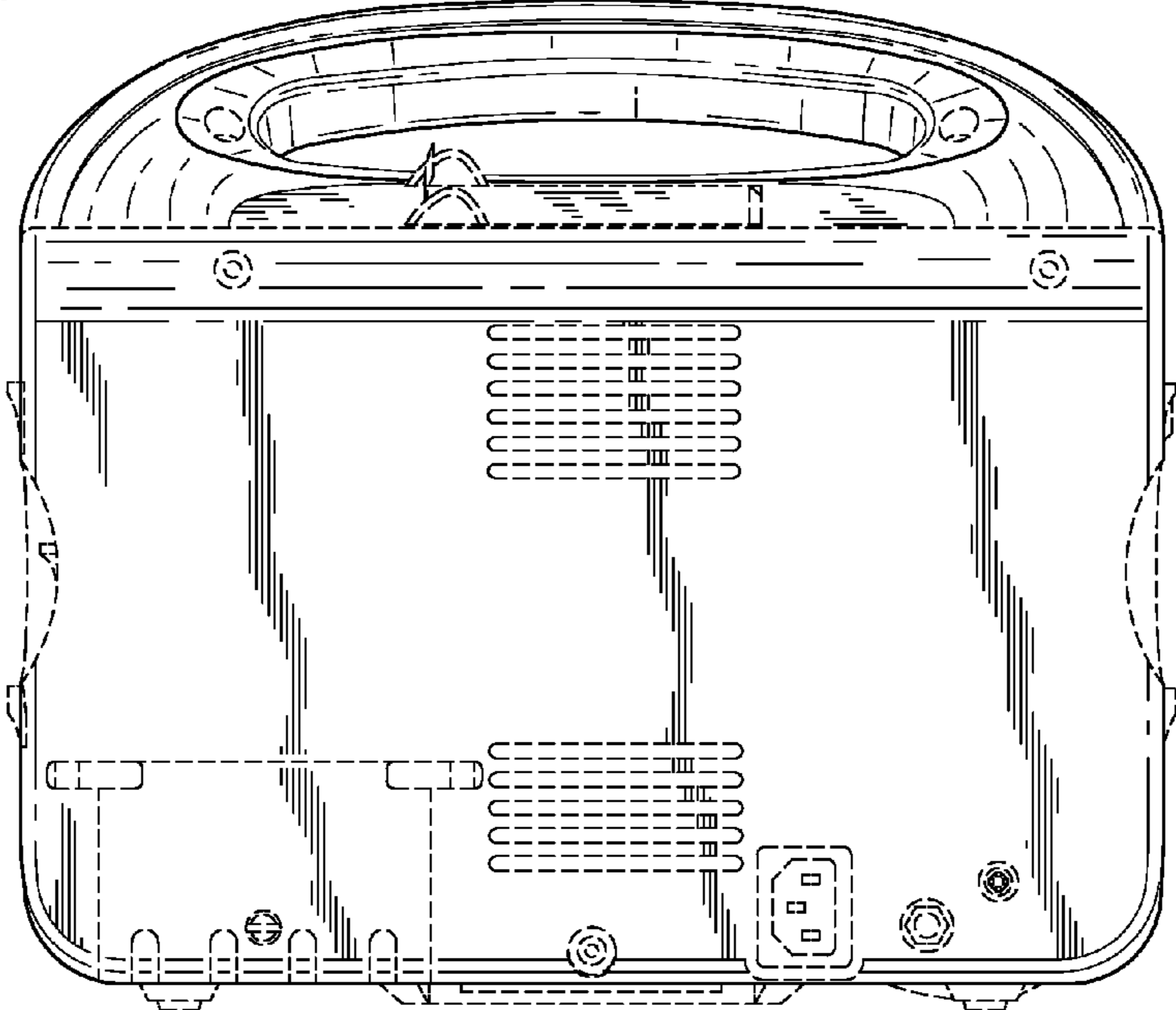


FIG. 4



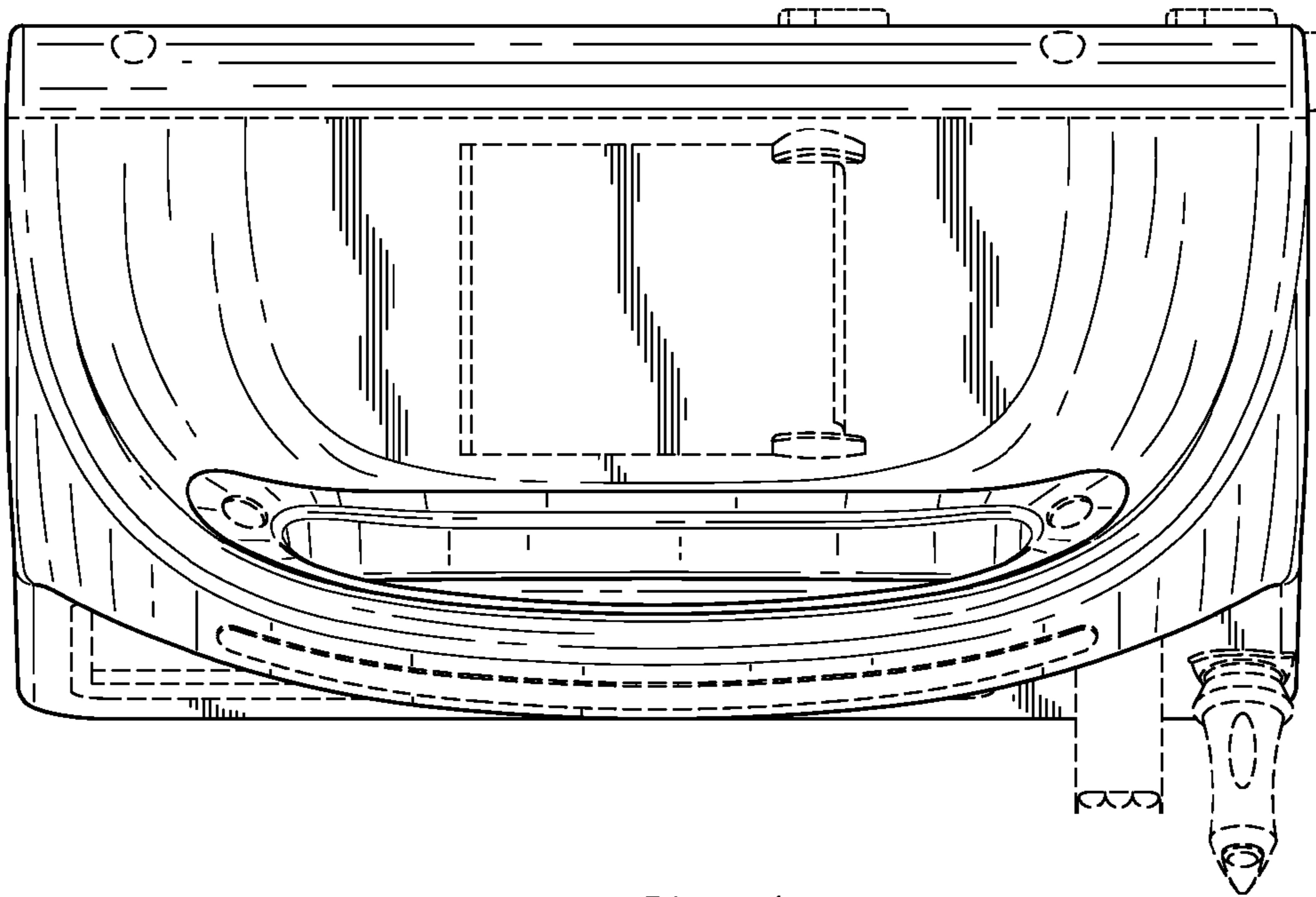


FIG. 5

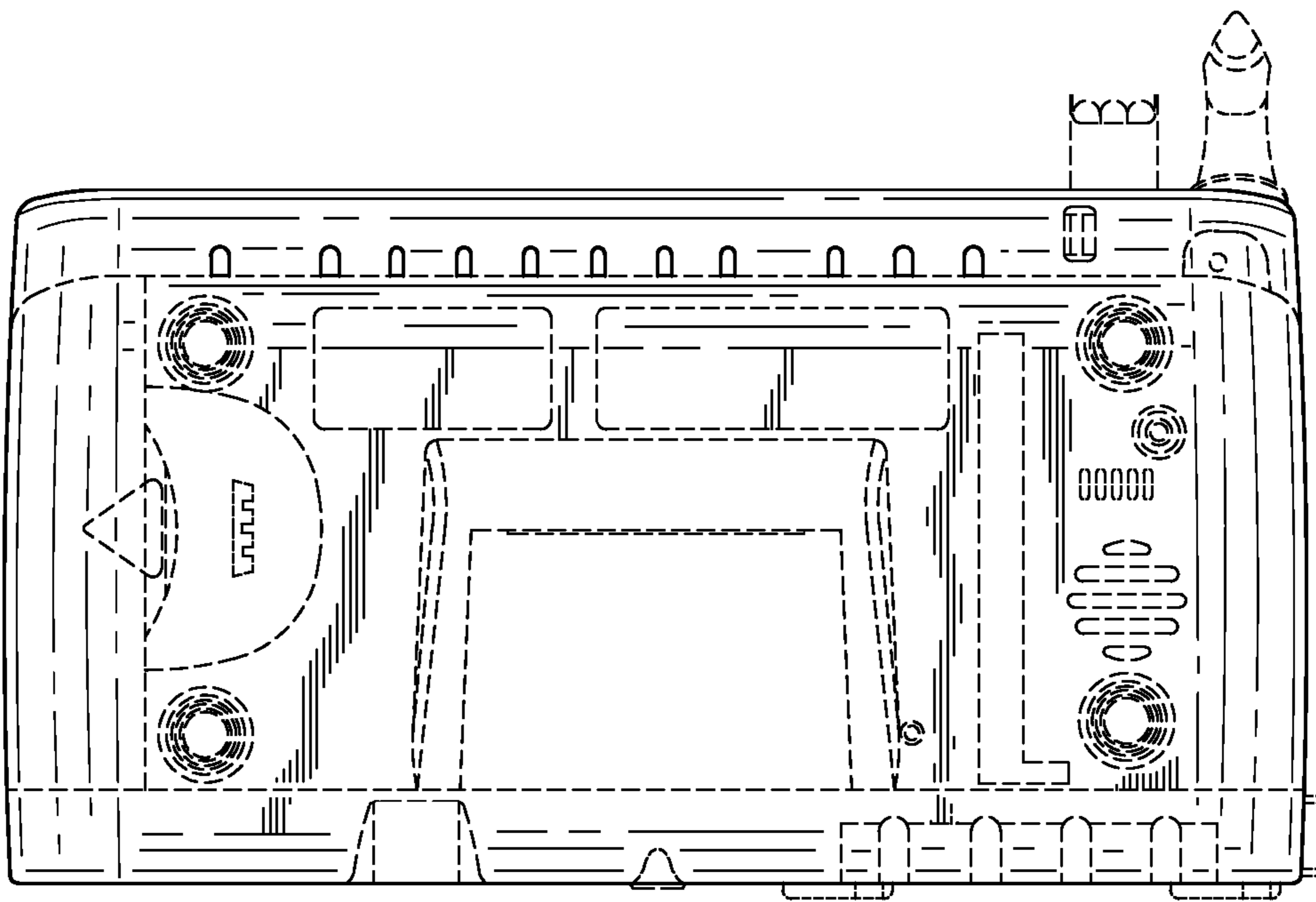


FIG. 6

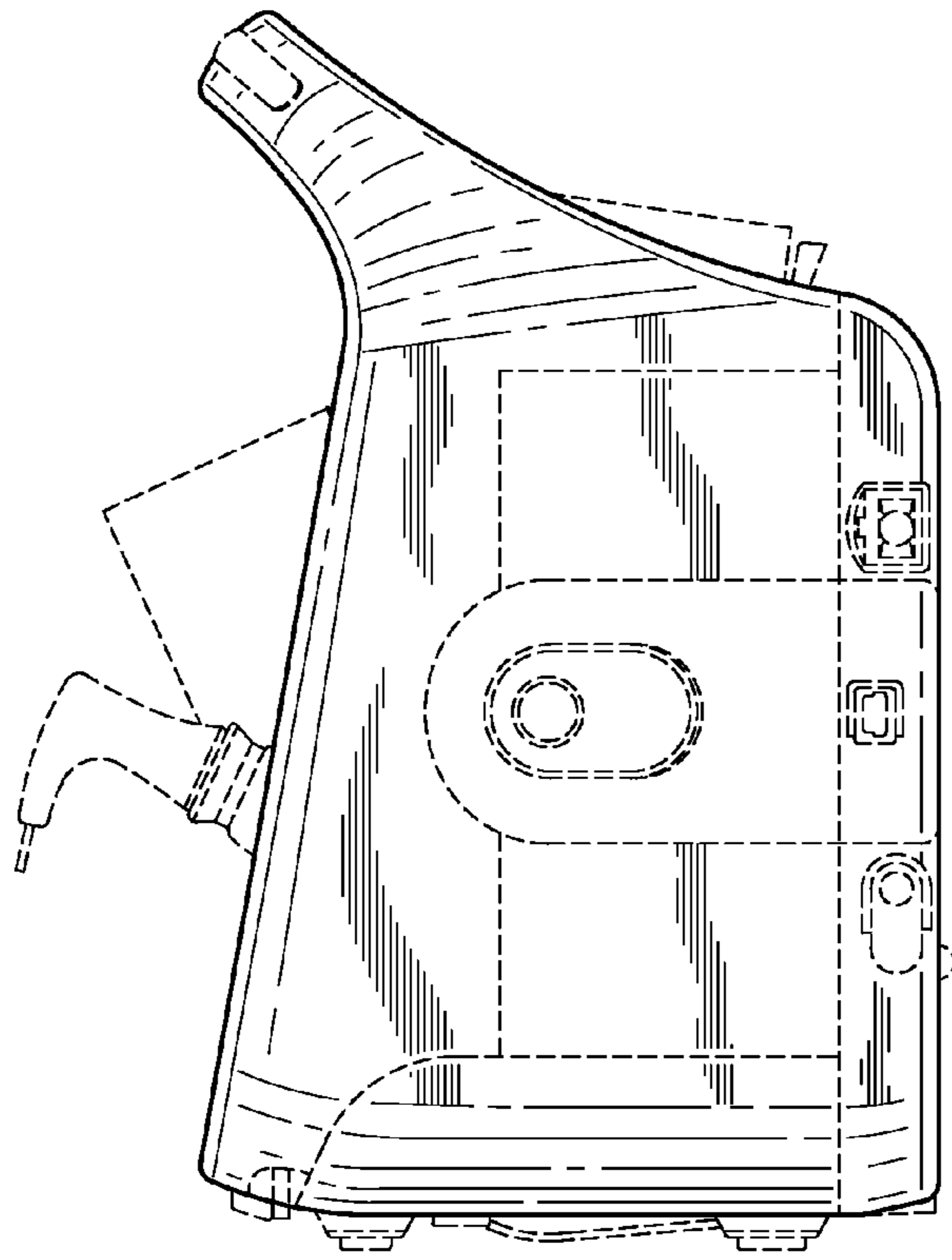


FIG. 7

FIG. 8

