



US00D635675S

(12) **United States Design Patent**
Thompson et al.

(10) **Patent No.:** **US D635,675 S**

(45) **Date of Patent:** **** Apr. 5, 2011**

(54) **RESUSCITATION BAG**

(76) Inventors: **Darrel K. Thompson**, Memphis, TN
(US); **Phyllis D. Thompson**, Memphis,
TN (US)

(**) Term: **14 Years**

(21) Appl. No.: **29/358,493**

(22) Filed: **Mar. 29, 2010**

(51) **LOC (9) Cl.** **24-01**

(52) **U.S. Cl.** **D24/164**

(58) **Field of Classification Search** D24/163,
D24/164, 167, 110, 110.1, 110.5, 110.6;
D3/203.7; D9/685, 690; D23/202, 205;
D29/125; 128/205.13, 205.18, 205.24, 204.18,
128/204.22, 204.26, 204.28; 96/111, 116,
96/117, 121, 130, 144

See application file for complete search history.

(56) **References Cited**

U.S. PATENT DOCUMENTS

D251,853 S * 5/1979 Elam D24/164
D335,552 S * 5/1993 Kohnke D24/110.5
D344,337 S * 2/1994 Mayer D24/164
6,123,075 A * 9/2000 Kirk 128/205.13
D449,889 S * 10/2001 Bischoff D24/164

7,032,596 B2 * 4/2006 Thompson et al. 128/205.13
D557,404 S * 12/2007 Kristensen et al. D24/164
D571,012 S * 6/2008 Mitchell D24/164
2006/0180146 A1 * 8/2006 Thompson et al. 128/205.13
2008/0087285 A1 * 4/2008 Kuo 128/205.13
2009/0071482 A1 * 3/2009 Huddleston 128/205.13

* cited by examiner

Primary Examiner — T. Chase Nelson

Assistant Examiner — Anhdao Doan

(74) *Attorney, Agent, or Firm* — Harris, Shelton, Hanover &
Walsh

(57) **CLAIM**

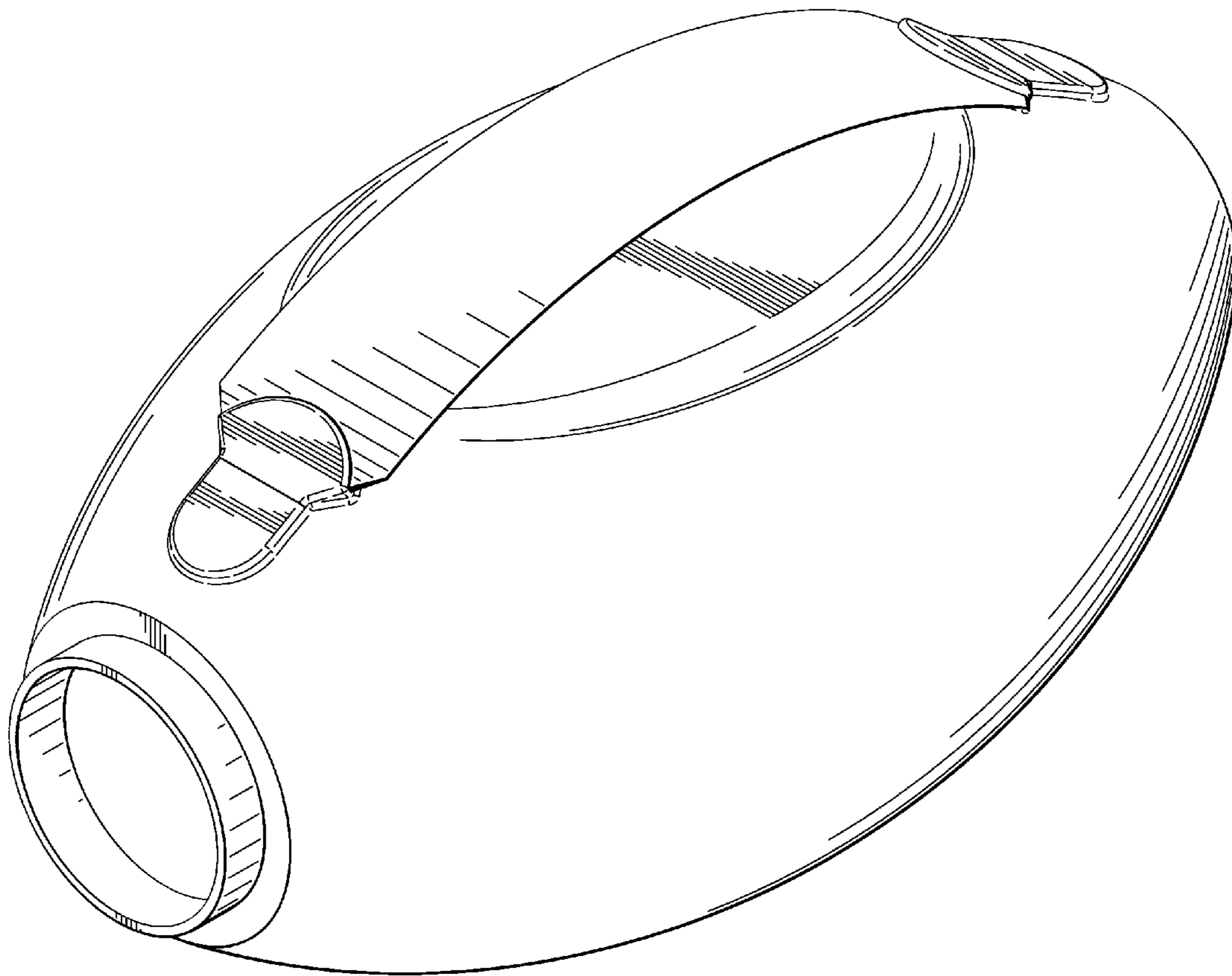
The ornamental design for a resuscitation bag, as shown and
described.

DESCRIPTION

FIG. 1 is a front perspective view of a resuscitation bag;
FIG. 2 is a left side elevational view thereof;
FIG. 3 is a front elevational view thereof;
FIG. 4 is a right side elevational view thereof;
FIG. 5 is a top plan view thereof;
FIG. 6 is a bottom plan view of thereof; and,
FIG. 7 is a rear perspective view thereof.

The device is used for pulmonary and cardiovascular resus-
citation.

1 Claim, 7 Drawing Sheets



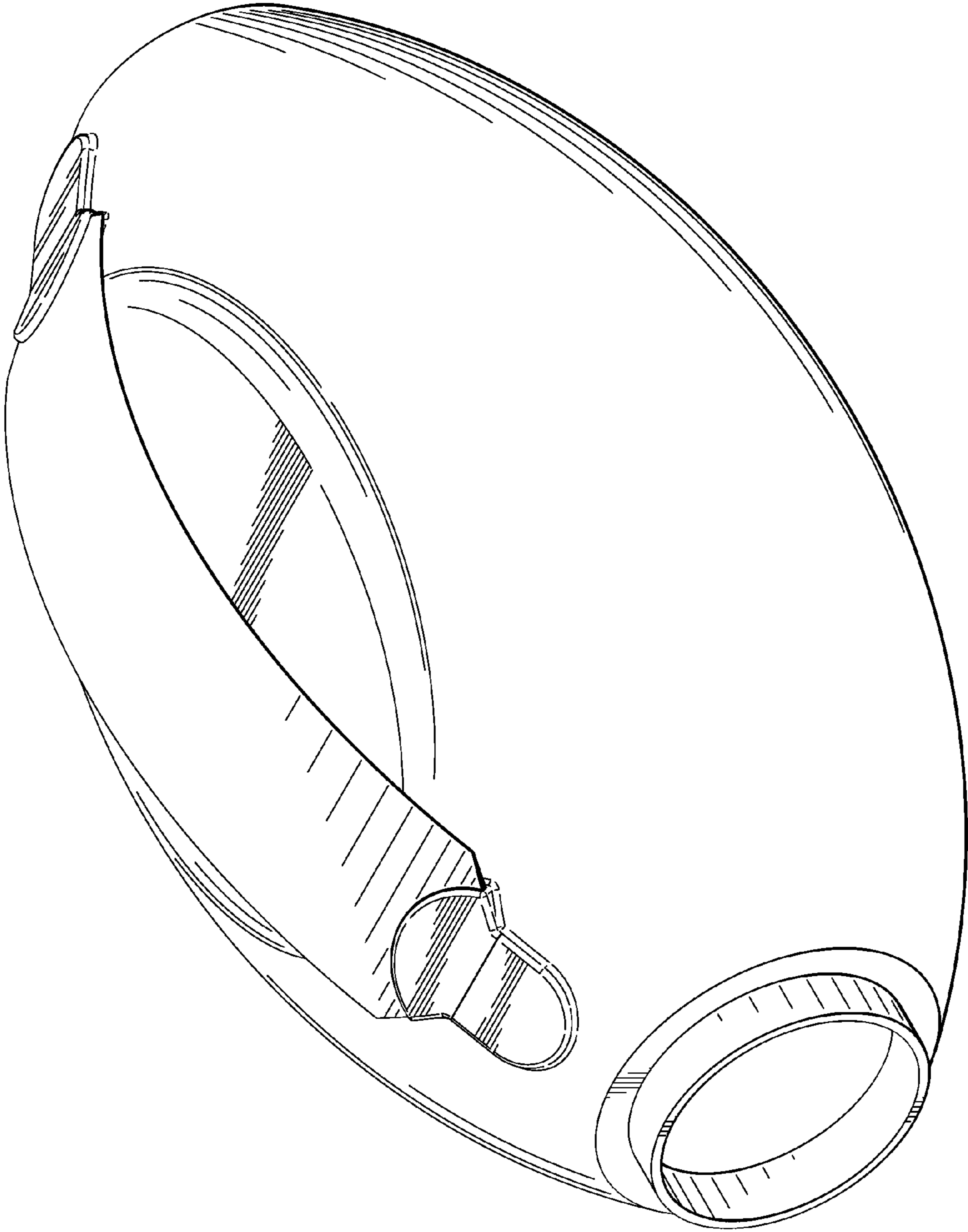


FIG. 1

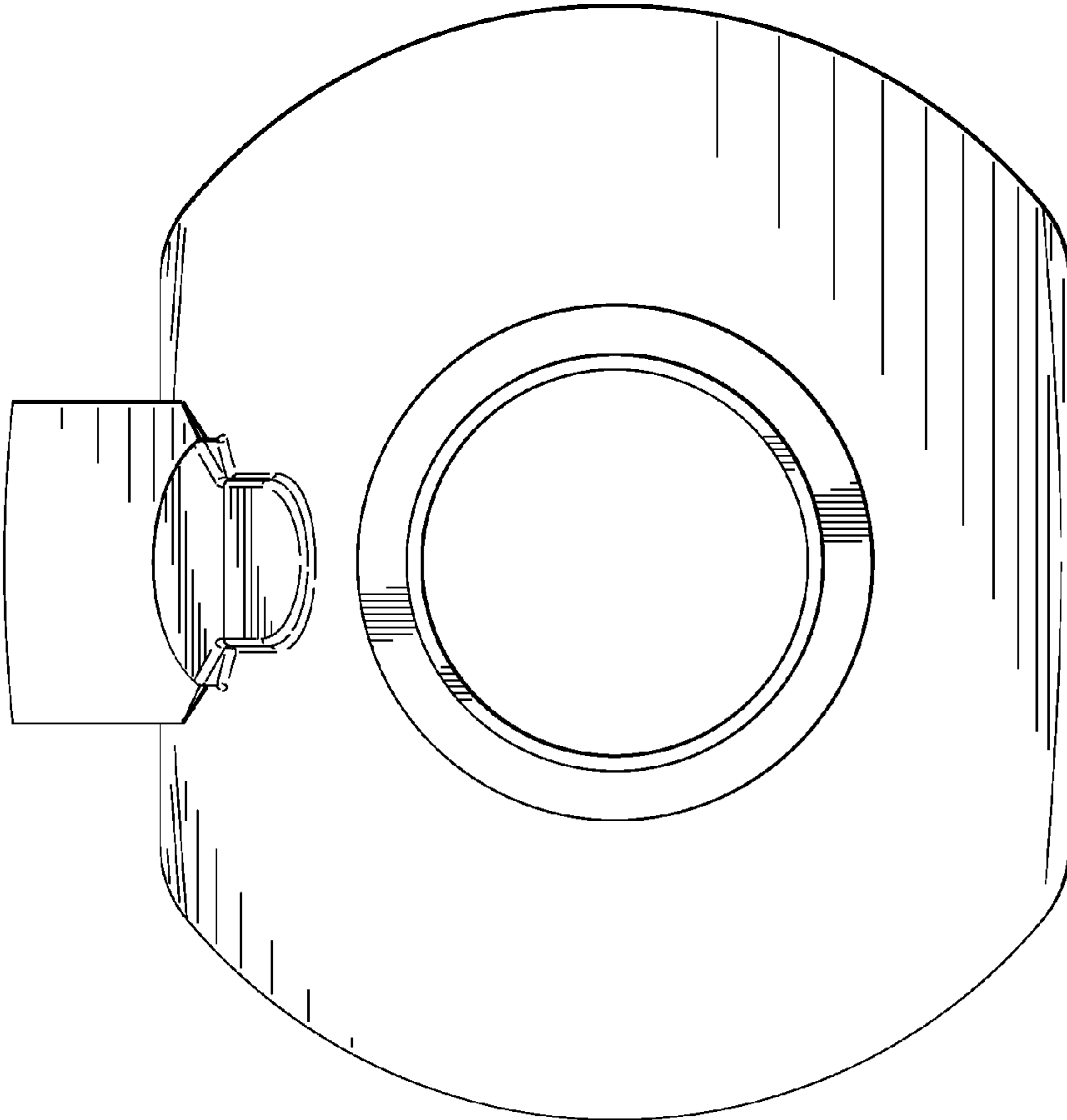


FIG. 2

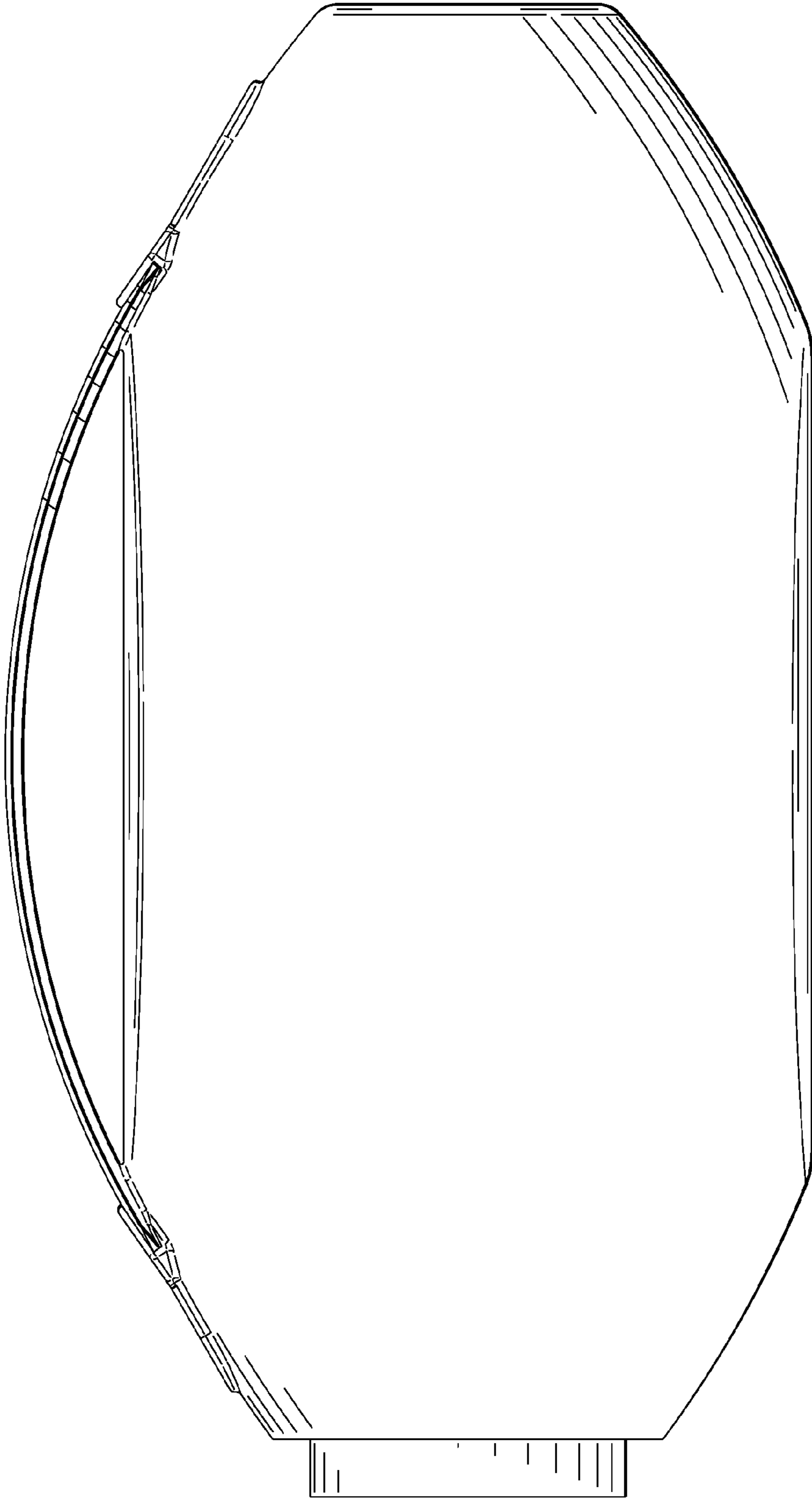


FIG. 3

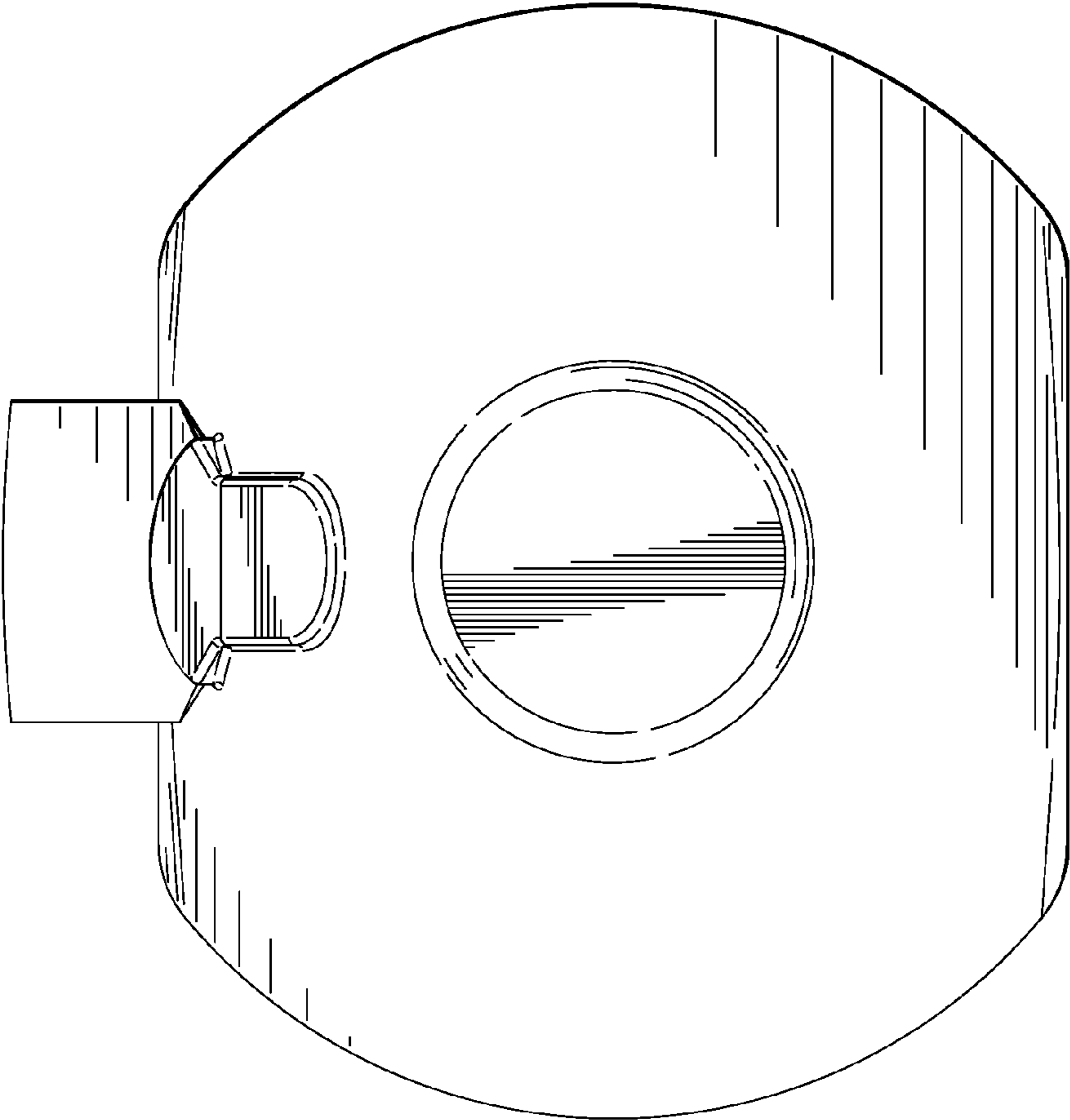


FIG. 4

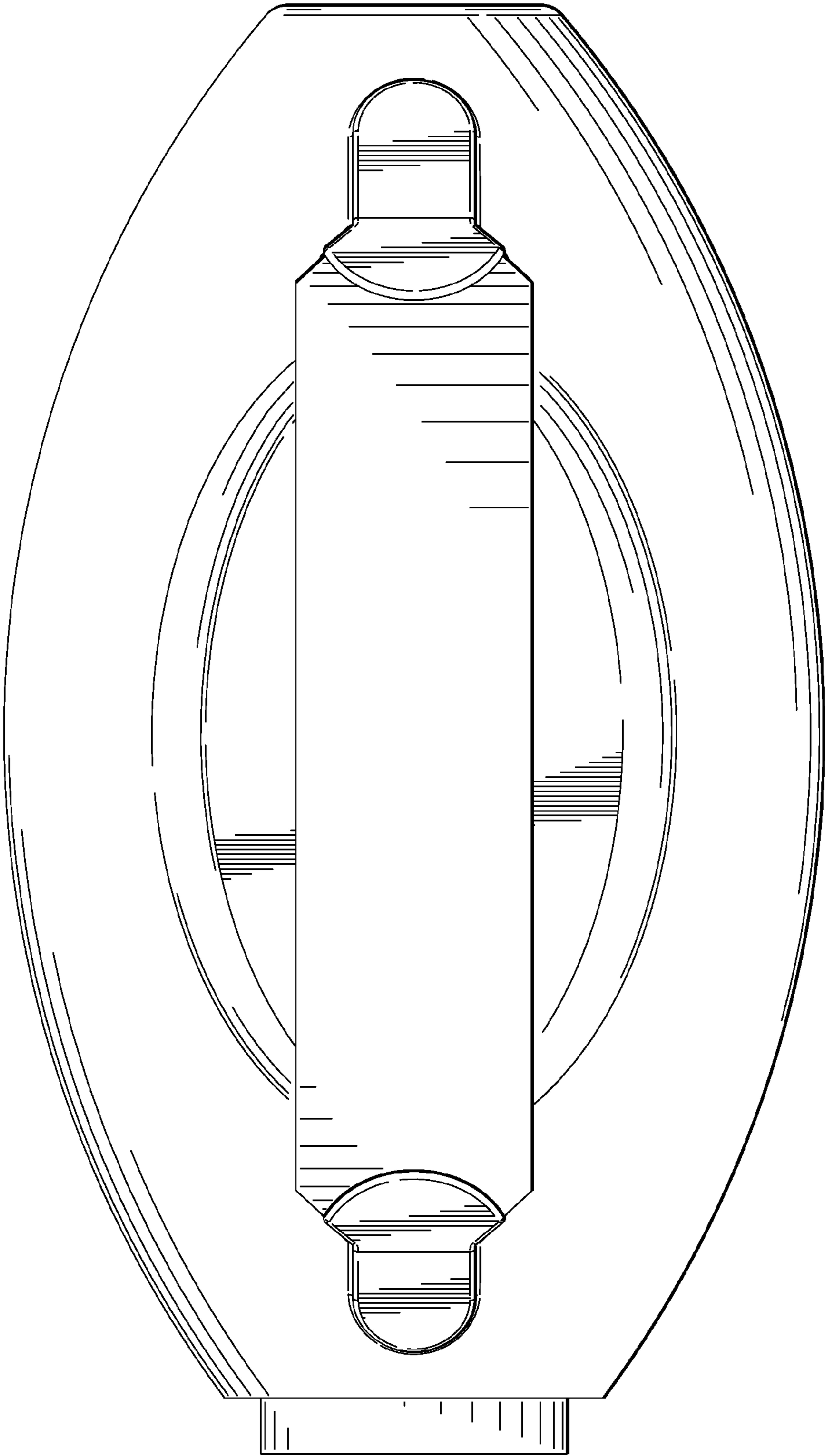


FIG. 5

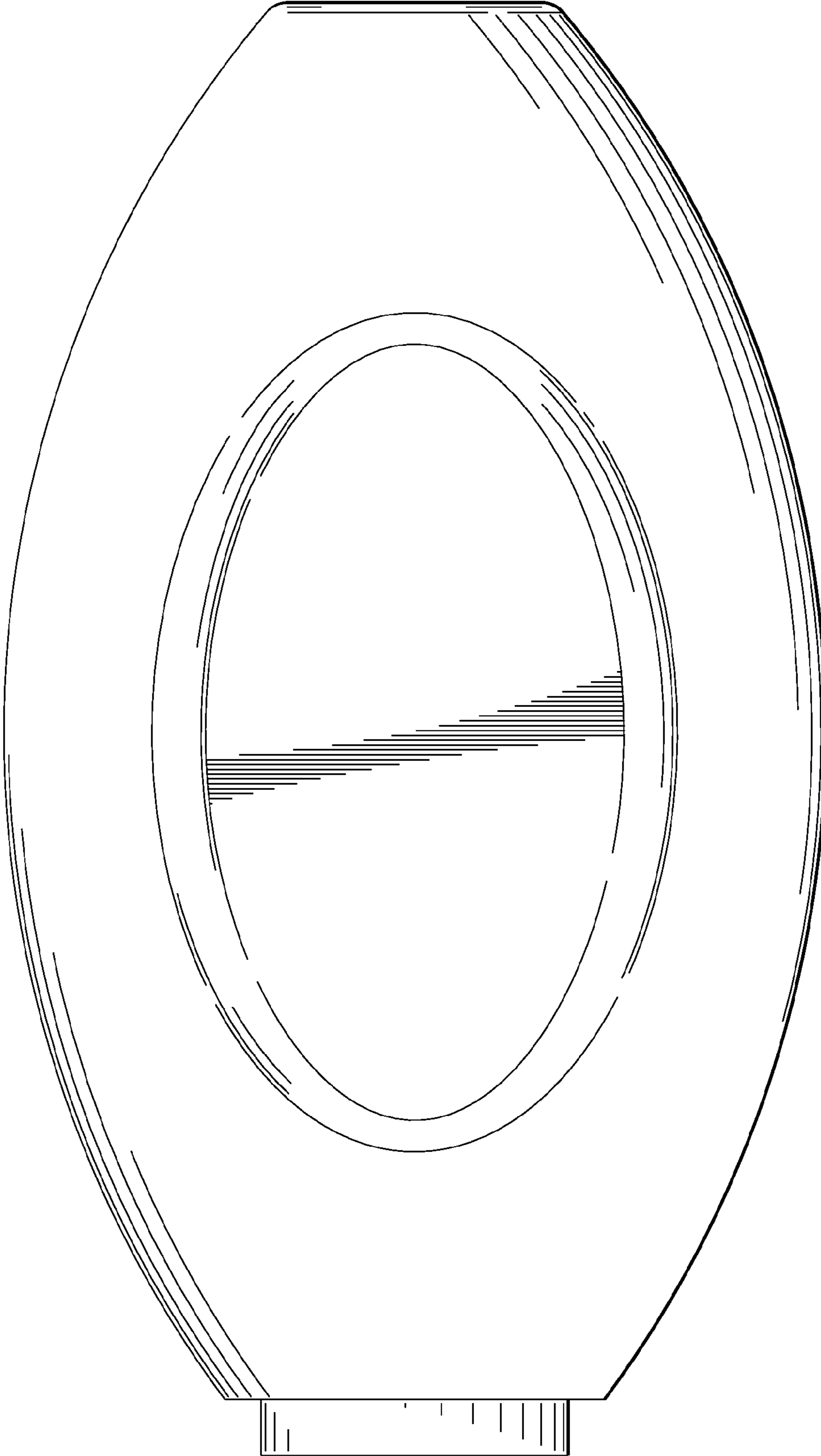


FIG. 6

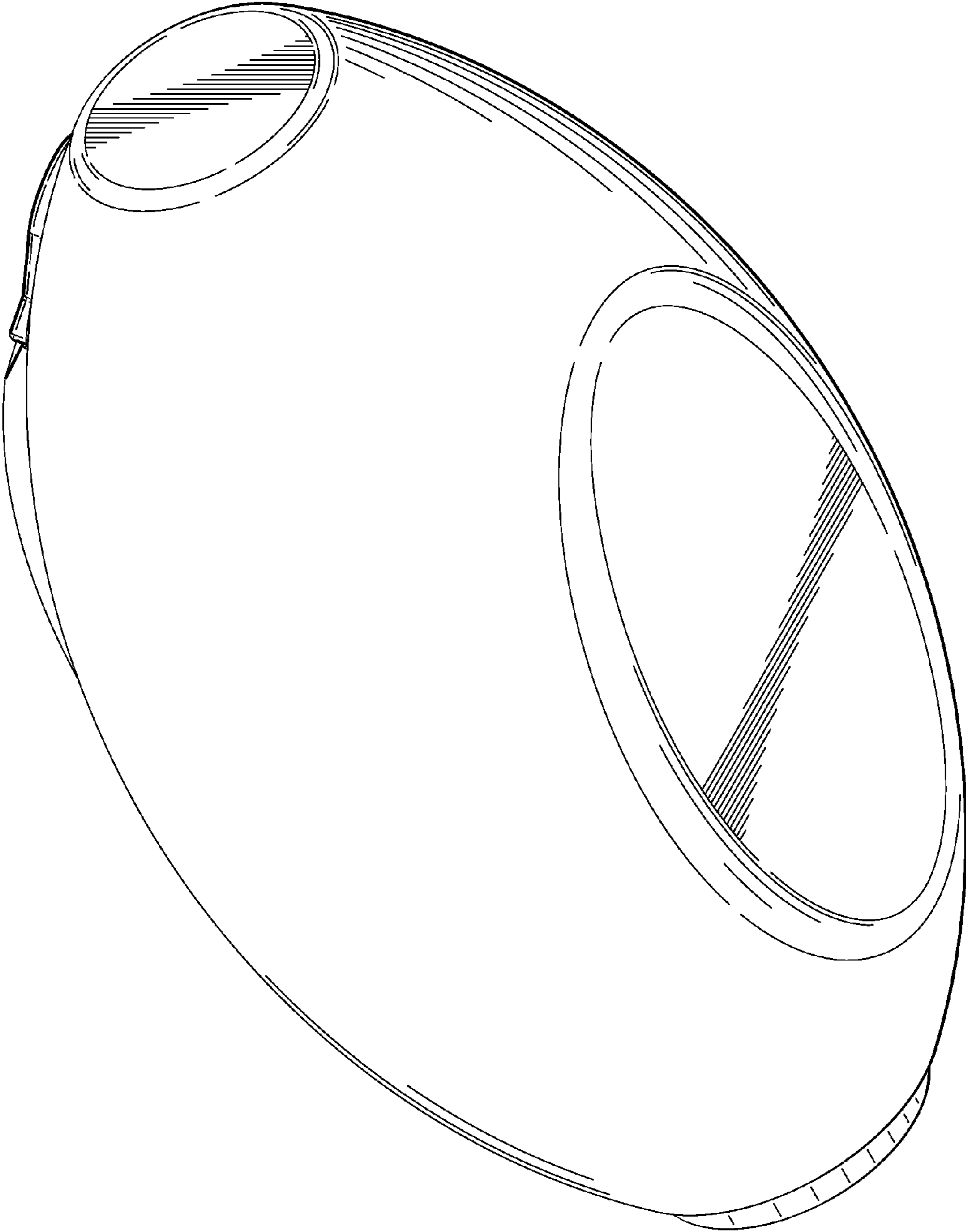


FIG. 7