



US00D635674S

(12) **United States Design Patent**
Ripich

(10) **Patent No.:** **US D635,674 S**

(45) **Date of Patent:** **** Apr. 5, 2011**

(54) **TONGUE SCRAPER**

(76) Inventor: **Robert J. Ripich**, Canton, OH (US)

(**) Term: **14 Years**

(21) Appl. No.: **29/360,490**

(22) Filed: **Apr. 27, 2010**

(51) **LOC (9) Cl.** **24-02**

(52) **U.S. Cl.** **D24/147**

(58) **Field of Classification Search** D24/147,
D24/146, 133; 606/161; 600/190, 192, 240,
600/242; 433/140, 141; 15/160; D4/104,
D4/108, 110, 111, 112; D7/401.2, 393, 653,
D7/658

See application file for complete search history.

(56) **References Cited**

U.S. PATENT DOCUMENTS

D289,330	S	*	4/1987	Strahan et al.	D24/147
D408,534	S	*	4/1999	Jansheski	D24/147
5,893,860	A		4/1999	Ripich		
5,916,228	A		6/1999	Ripich		
D411,884	S	*	7/1999	Dewti	D24/146
D411,938	S	*	7/1999	Morrison	D7/401.2
D438,305	S		2/2001	Ripich		
D443,691	S	*	6/2001	Fischer et al.	D24/152
D479,605	S		9/2003	Ripich		
D487,803	S		3/2004	Ripich		

D494,272	S		8/2004	Ripich		
D500,135	S		12/2004	Ripich		
7,029,484	B2		4/2006	Ripich		
D536,452	S	*	2/2007	Geiberger et al.	D24/147
2006/0025791	A1		2/2006	Ripich		

* cited by examiner

Primary Examiner — Charles A Rademaker

Assistant Examiner — Carissa C Fitts

(74) *Attorney, Agent, or Firm* — Zollinger & Burleson Ltd.

(57) **CLAIM**

The ornamental design for a tongue scraper, as shown and described.

DESCRIPTION

FIG. 1 is a perspective view of a tongue scraper handle showing the new design.

FIG. 2 is a top plan view thereof.

FIG. 3 is a bottom plan view thereof.

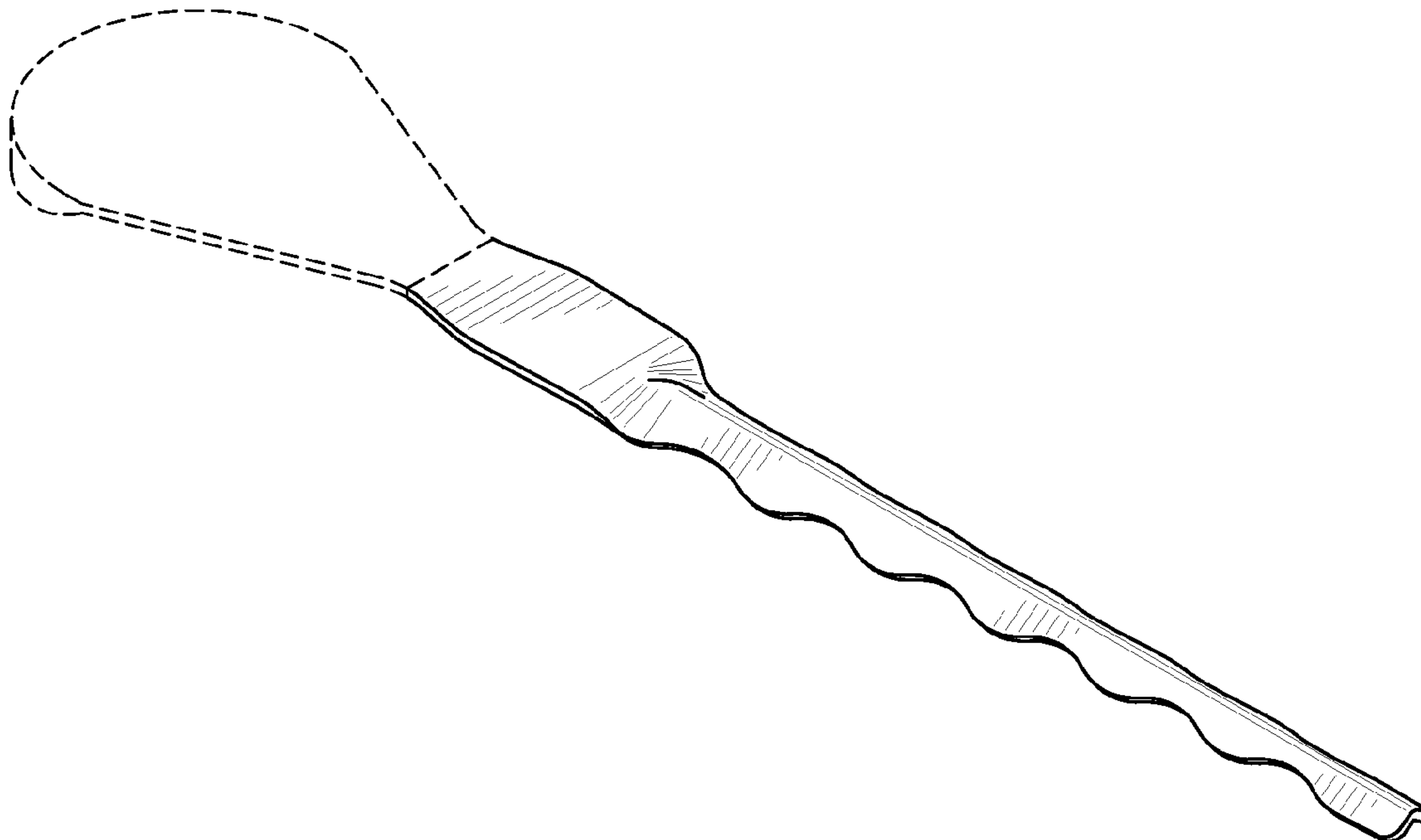
FIG. 4 is a right side elevation view thereof; the left side elevation being a mirror image thereof.

FIG. 5 is a front elevation view thereof; and,

FIG. 6 is a rear elevation view thereof.

The broken lines shown in the figure drawings are for environmental purposes only and form no part of the claimed design.

1 Claim, 3 Drawing Sheets



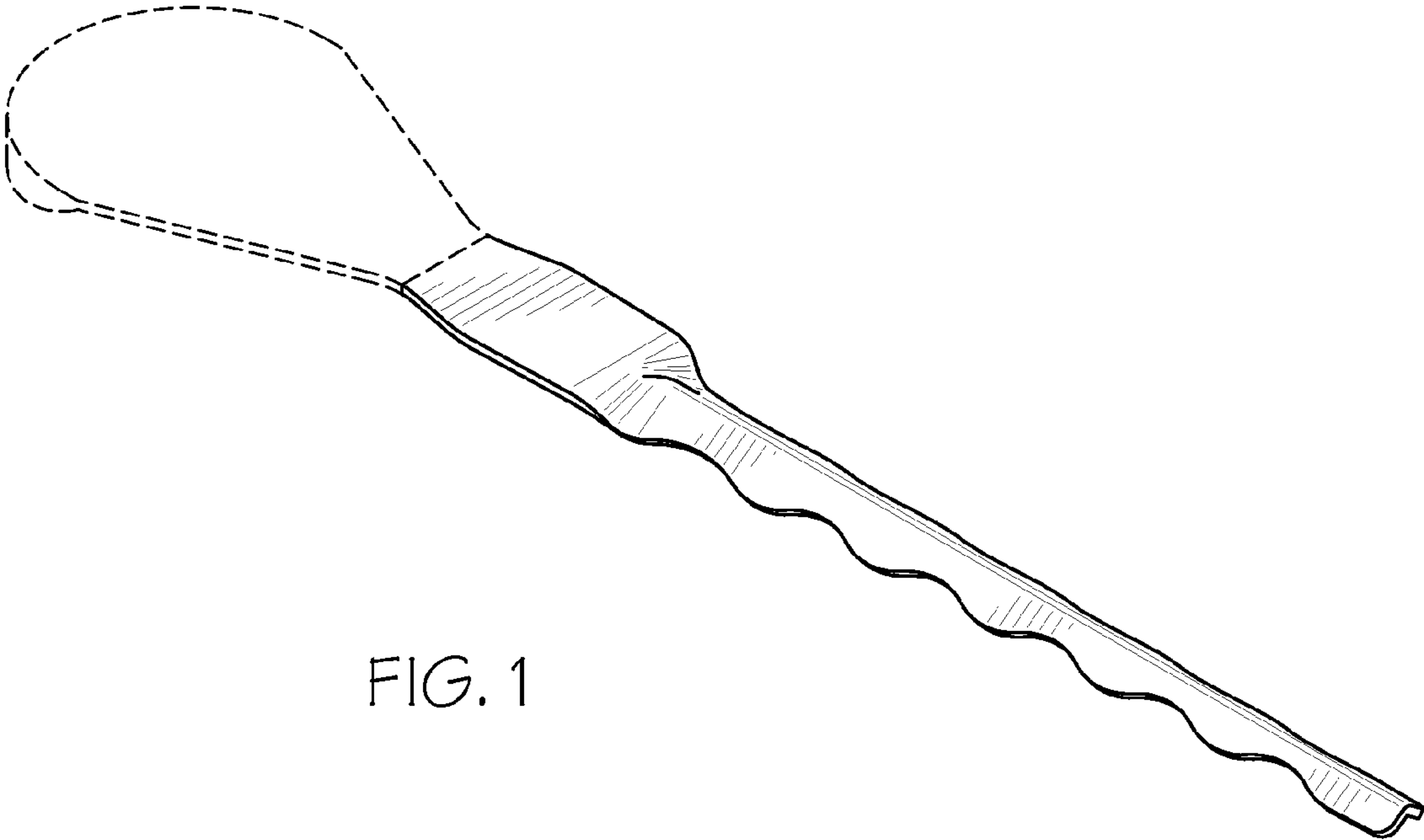


FIG. 1

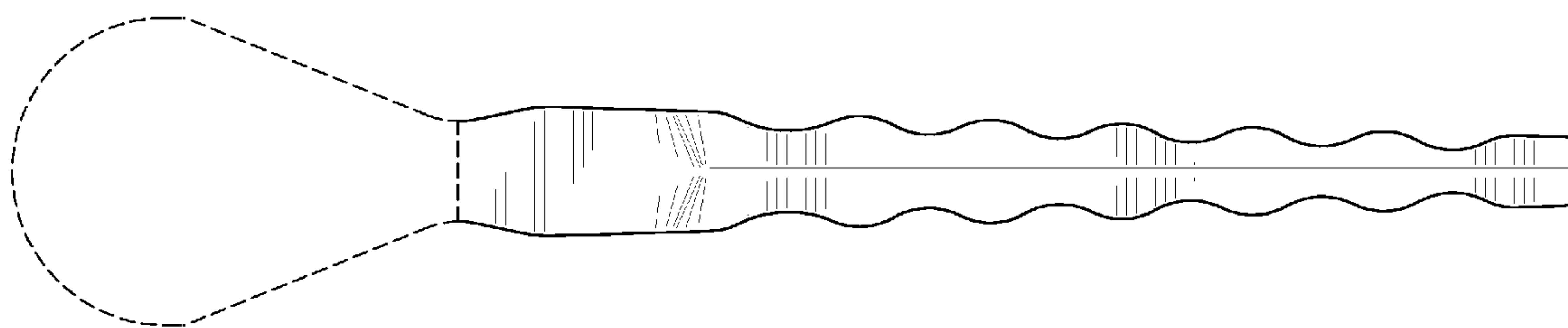


FIG. 2

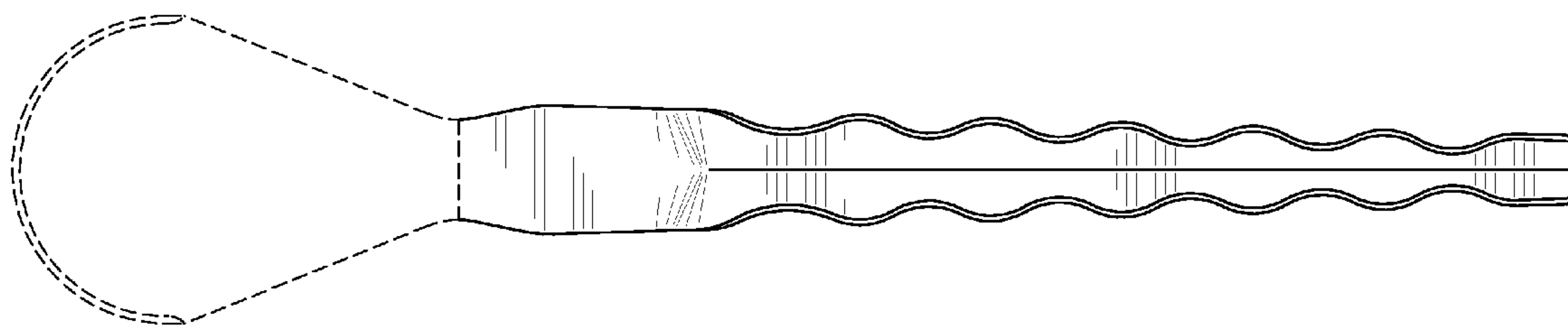


FIG. 3

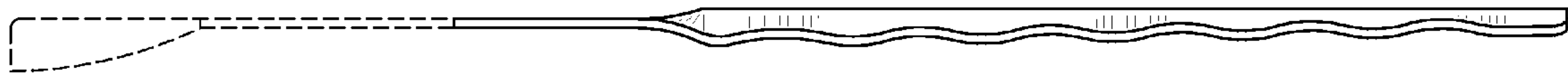


FIG. 4



FIG. 5



FIG. 6