

US00D635669S

(12) **United States Design Patent**  
**Katsura et al.**

(10) **Patent No.:** **US D635,669 S**

(45) **Date of Patent:** **\*\* Apr. 5, 2011**

(54) **CAP FOR PUNCTURE NEEDLE CHIP**

(75) Inventors: **Hideki Katsura**, Tokyo (JP); **Masafumi Takemoto**, Yamanashi (JP)

(73) Assignee: **Terumo Kabushiki Kaisha**, Tokyo (JP)

(\*\*) Term: **14 Years**

(21) Appl. No.: **29/309,462**

(22) Filed: **Aug. 20, 2008**

7,241,302	B2	7/2007	Sniffen et al.	
D560,805	S	1/2008	Young et al.	
D562,981	S	2/2008	Trissel et al.	
D570,478	S *	6/2008	Sudo .....	D24/130
D579,564	S *	10/2008	Sarna .....	D24/146
D580,052	S *	11/2008	White .....	D24/133
D585,550	S *	1/2009	Katsura et al. ....	D24/147
2004/0243165	A1	12/2004	Koike et al.	
2005/0101918	A1 *	5/2005	Chen et al. ....	604/192
2009/0124979	A1 *	5/2009	Raymond et al. ....	604/195
2009/0149817	A1 *	6/2009	Frezza .....	604/198
2009/0234297	A1 *	9/2009	Jennings .....	604/195
2009/0287153	A1 *	11/2009	Bresina et al. ....	604/164.08

**Related U.S. Application Data**

(63) Continuation-in-part of application No. 29/293,535, filed on Nov. 30, 2007, now Pat. No. Des. 585,550.

(51) **LOC (9) Cl.** ..... **24-02**

(52) **U.S. Cl.** ..... **D24/147**

(58) **Field of Classification Search** ..... D24/133,  
D24/144, 146, 147, 169, 112, 130; 606/181-184,  
606/167; 600/583, 584; 604/198, 263, 192,  
604/195

See application file for complete search history.

**References Cited**

**U.S. PATENT DOCUMENTS**

4,676,244	A *	6/1987	Enstrom .....	606/181
D293,821	S	1/1988	Vaillancourt	
4,738,261	A	4/1988	Enstrom	
4,990,154	A	2/1991	Brown et al.	
D327,318	S *	6/1992	Dudar et al. ....	D24/112
D387,865	S *	12/1997	Peckham et al. ....	D24/146
D393,716	S *	4/1998	Brenneman et al. ....	D24/147
D393,717	S	4/1998	Brenneman et al.	
D406,643	S *	3/1999	Niedospial et al. ....	D24/112
D427,312	S *	6/2000	Douglas .....	D24/169
D431,864	S *	10/2000	Jansen .....	D24/129
6,394,983	B1 *	5/2002	Mayoral et al. ....	604/192
6,585,702	B1 *	7/2003	Brunel .....	604/263
6,706,015	B2 *	3/2004	Bang .....	604/110
D489,452	S *	5/2004	Schweikert .....	D24/128
D493,532	S *	7/2004	Levaughn et al. ....	D24/146
7,207,952	B2 *	4/2007	Takinami et al. ....	600/584

**OTHER PUBLICATIONS**

Terumo Kabushiki Kaisha, Product Catalog, Apr. 20, 1993.  
Terumo Kabushiki Kaisha, Product Catalog, Nov. 2002.  
Terumo Kabushiki Kaisha, Product Catalog, Nov. 2003.

\* cited by examiner

*Primary Examiner* — Ian Simmons

*Assistant Examiner* — Carissa C Fitts

(74) *Attorney, Agent, or Firm* — Jean C. Edwards, Esq.;  
Akerman Senterfitt LLP

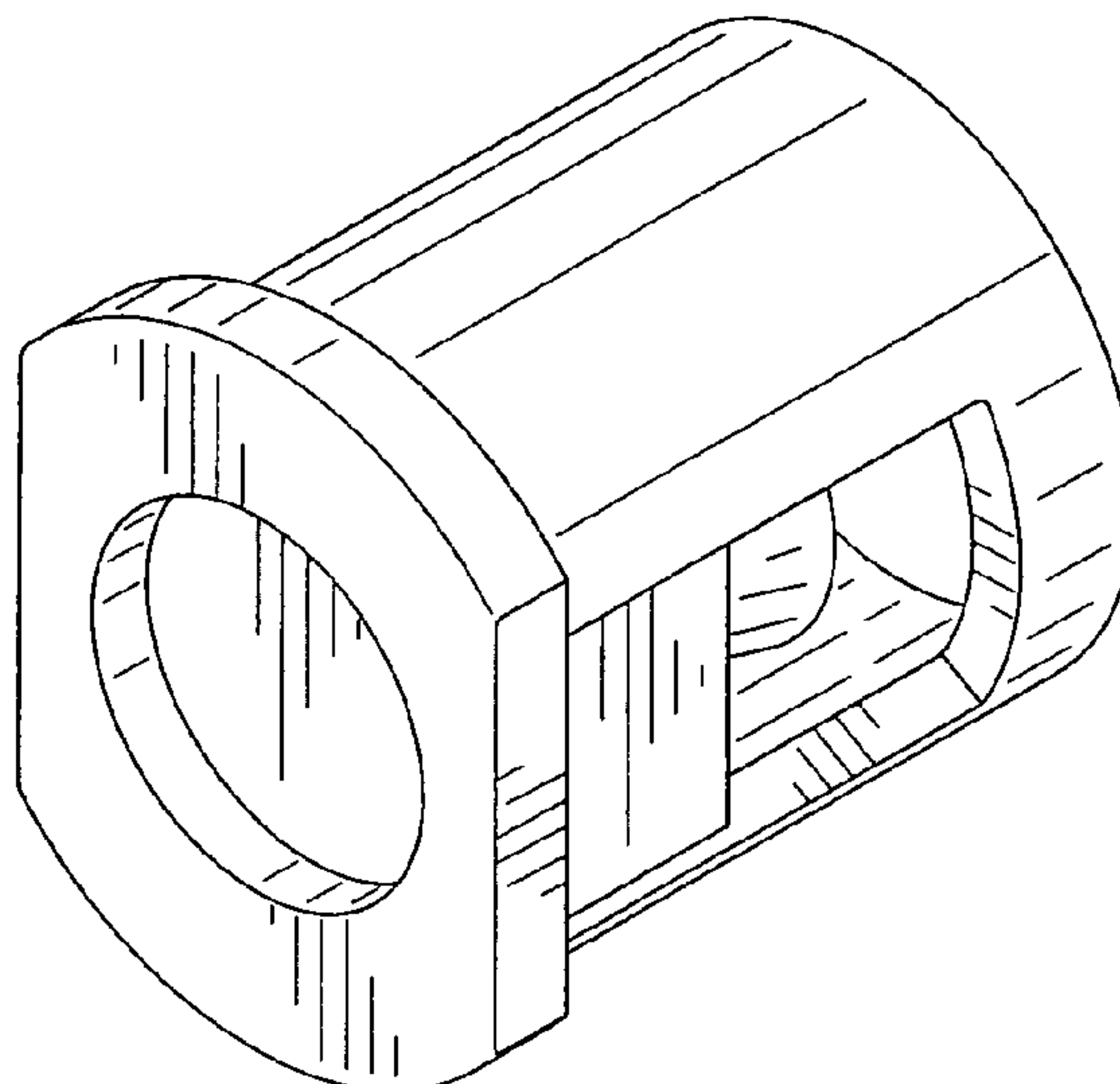
(57) **CLAIM**

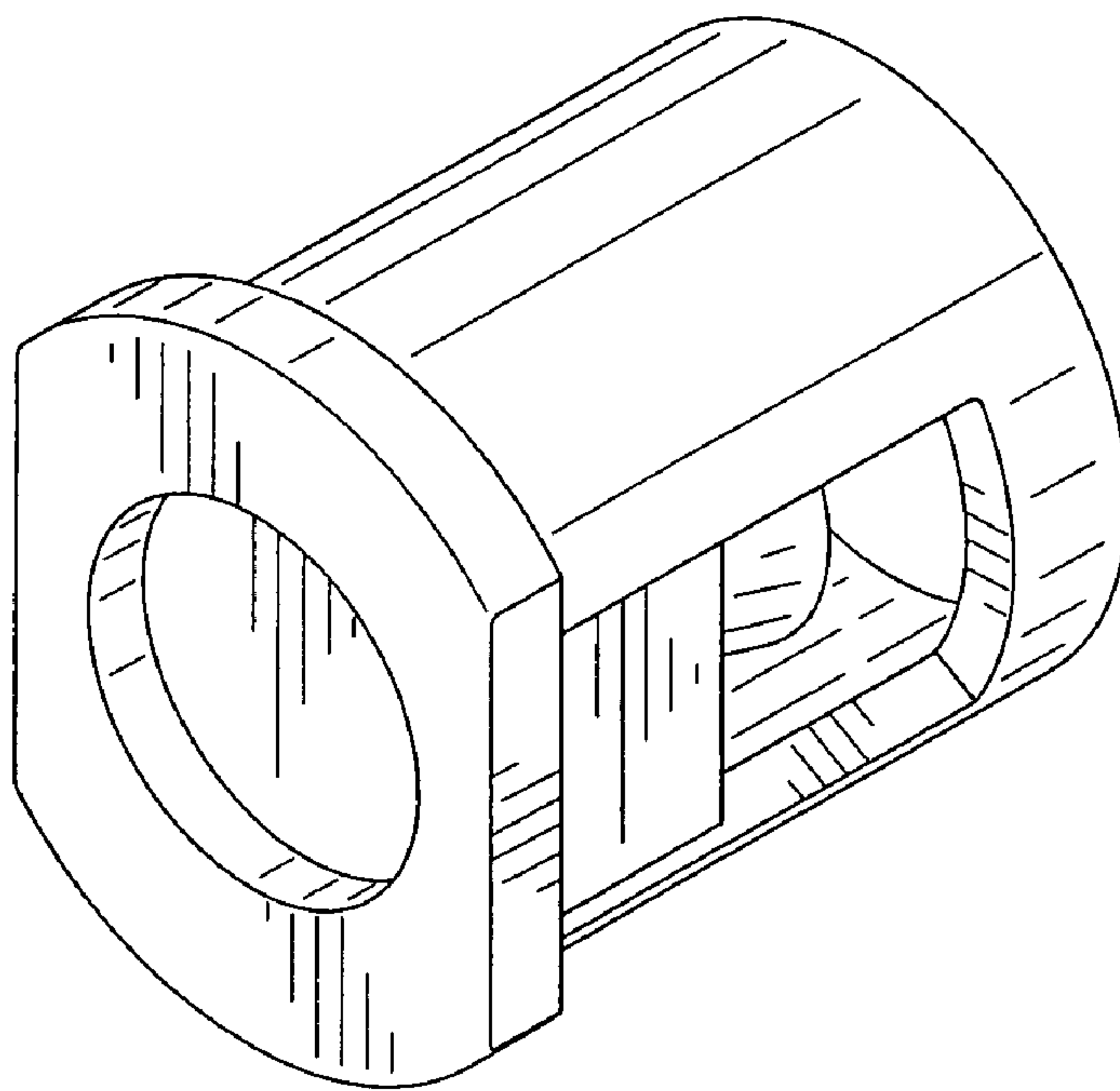
The ornamental design for a cap for puncture needle chip, as shown and described.

**DESCRIPTION**

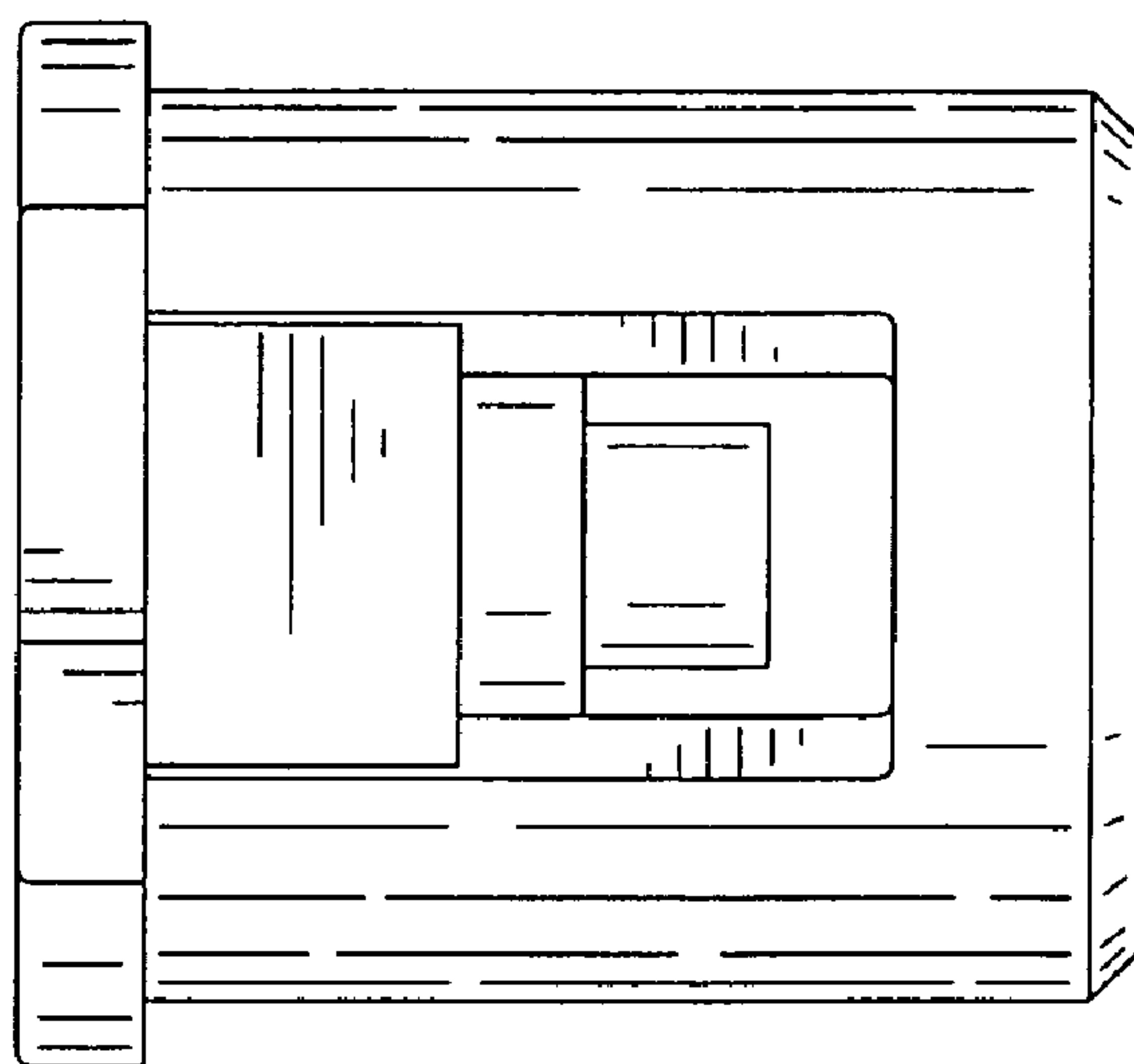
FIG. 1 is a perspective view of the front, left and top of a cap for puncture needle chip showing our new design;  
FIG. 2 is a front view thereof;  
FIG. 3 is a top plan view thereof;  
FIG. 4 is a bottom view thereof;  
FIG. 5 is a left side view thereof;  
FIG. 6 is a right side view thereof;  
FIG. 7 is a rear view thereof; and,  
FIG. 8 is a cross-sectional view at 8—8 shown in FIG. 6 thereof.

**1 Claim, 3 Drawing Sheets**

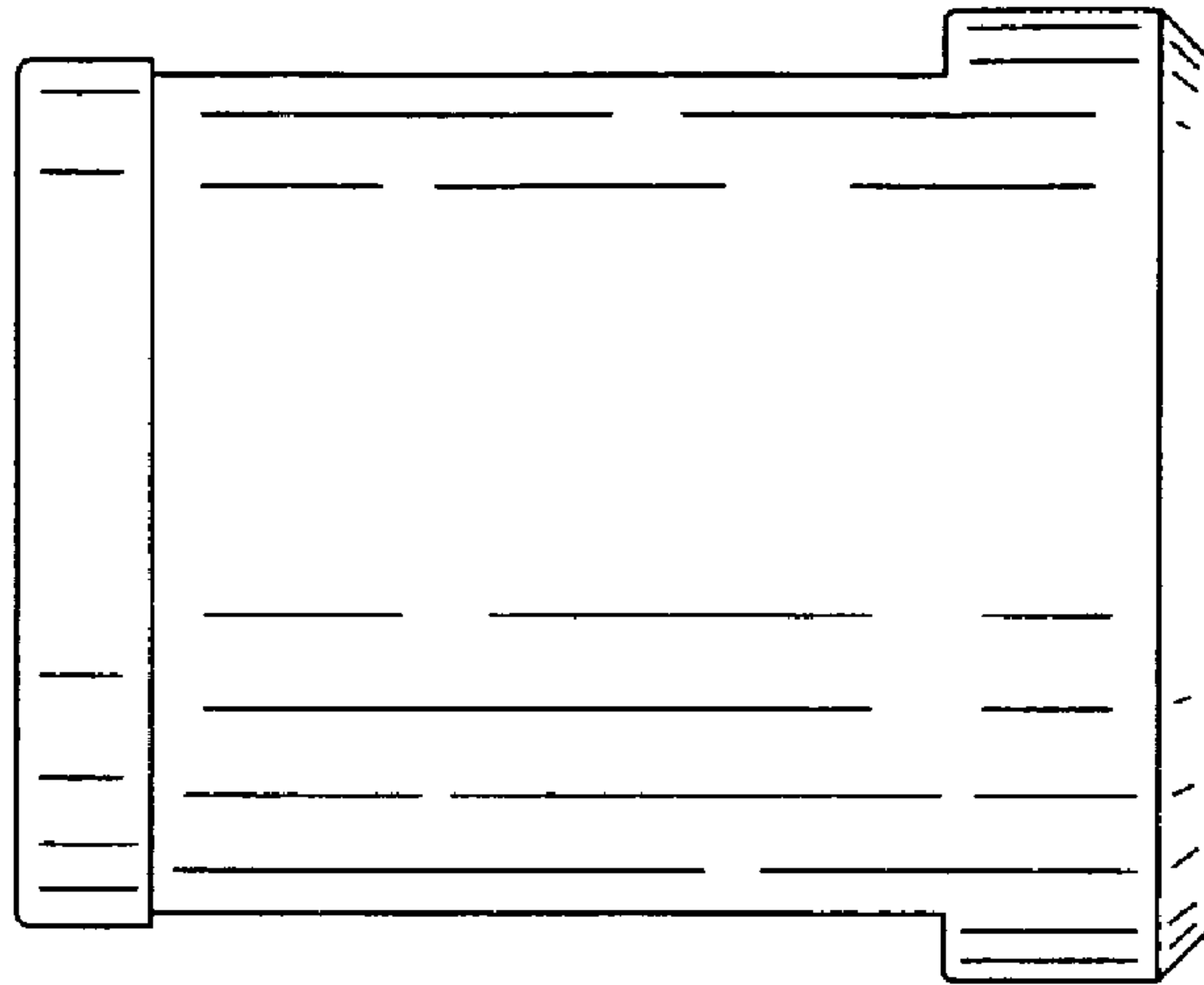




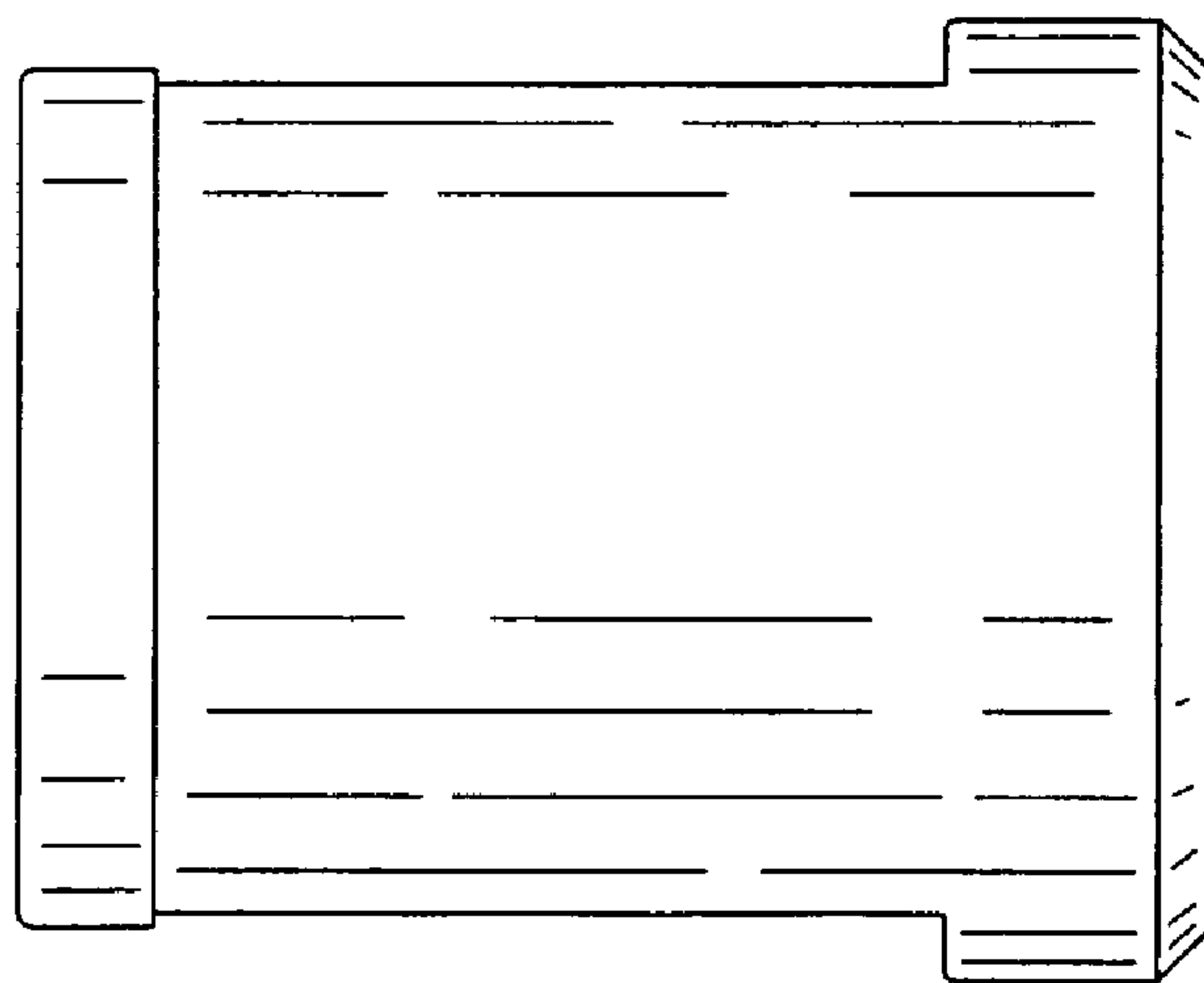
*FIG. 1*



*FIG. 2*



*FIG. 3*



*FIG. 4*

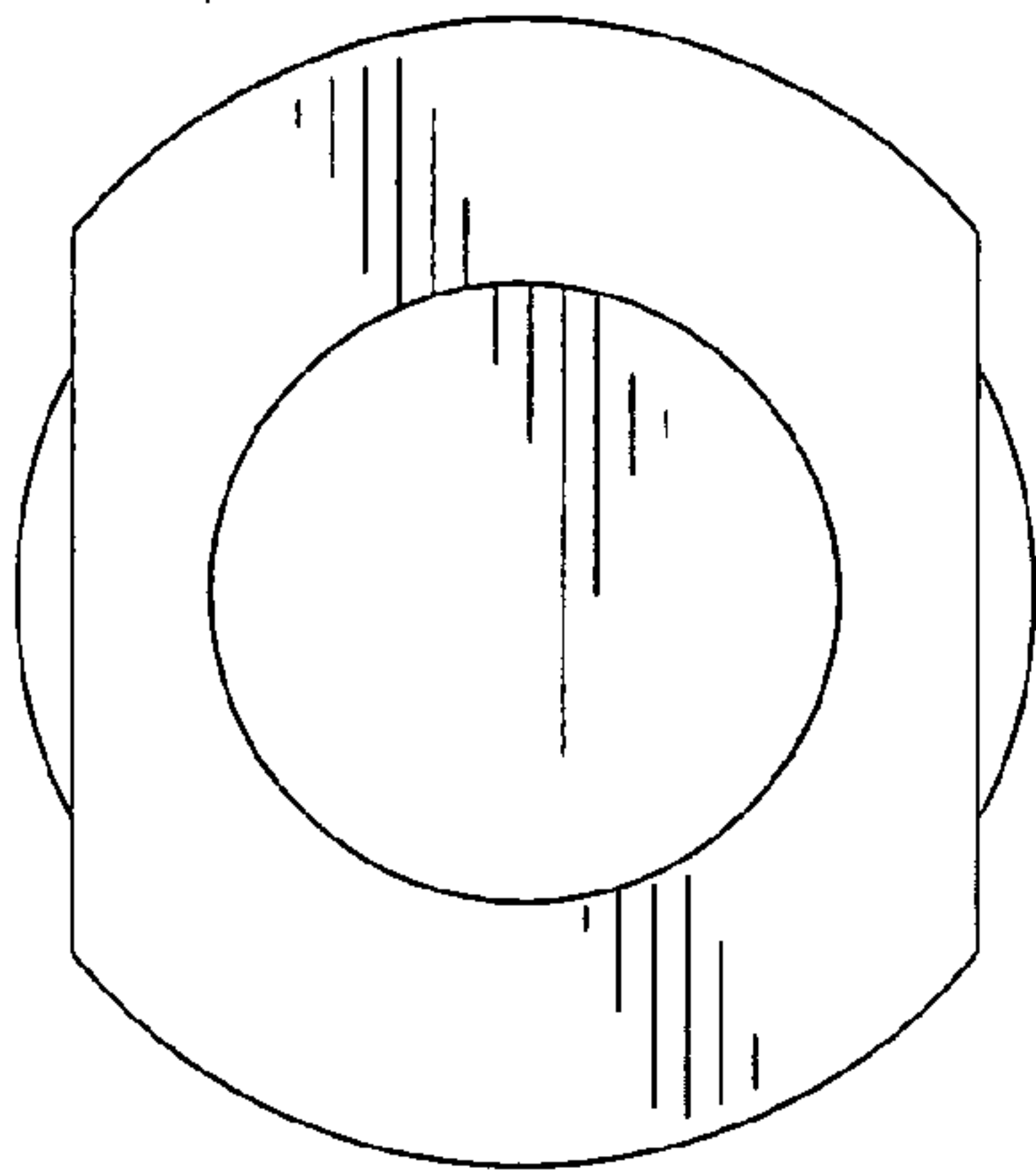


FIG. 5

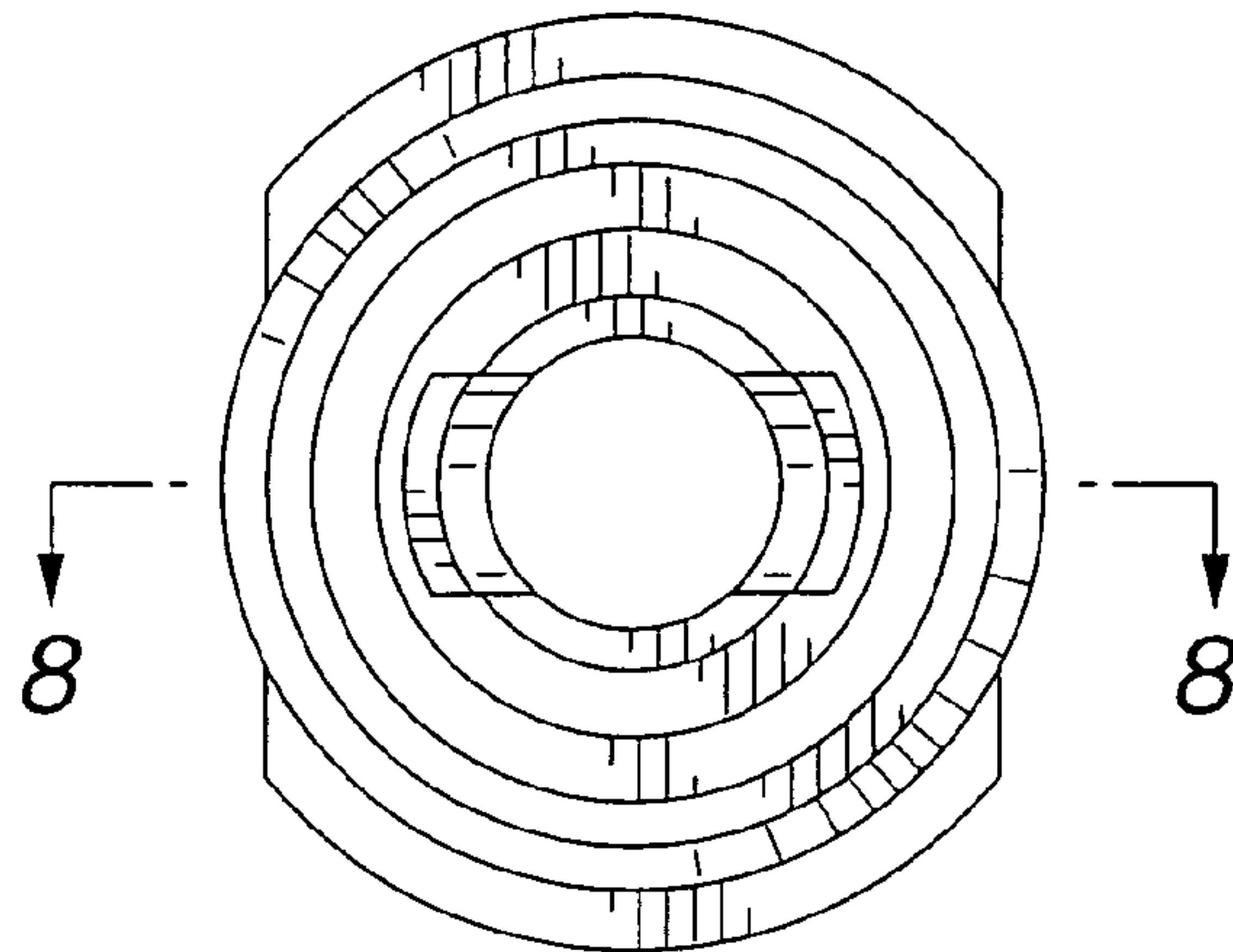


FIG. 6

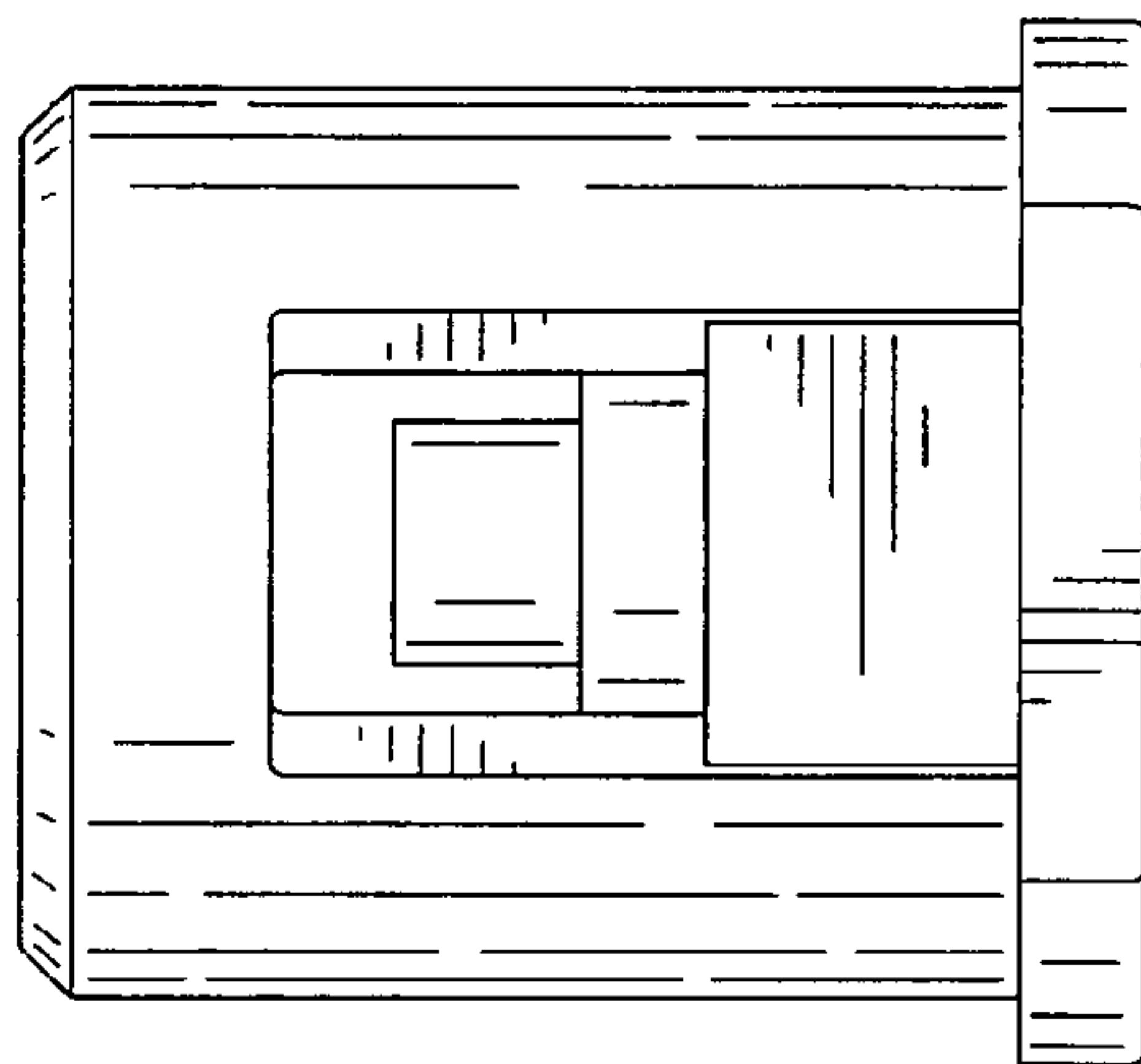


FIG. 7

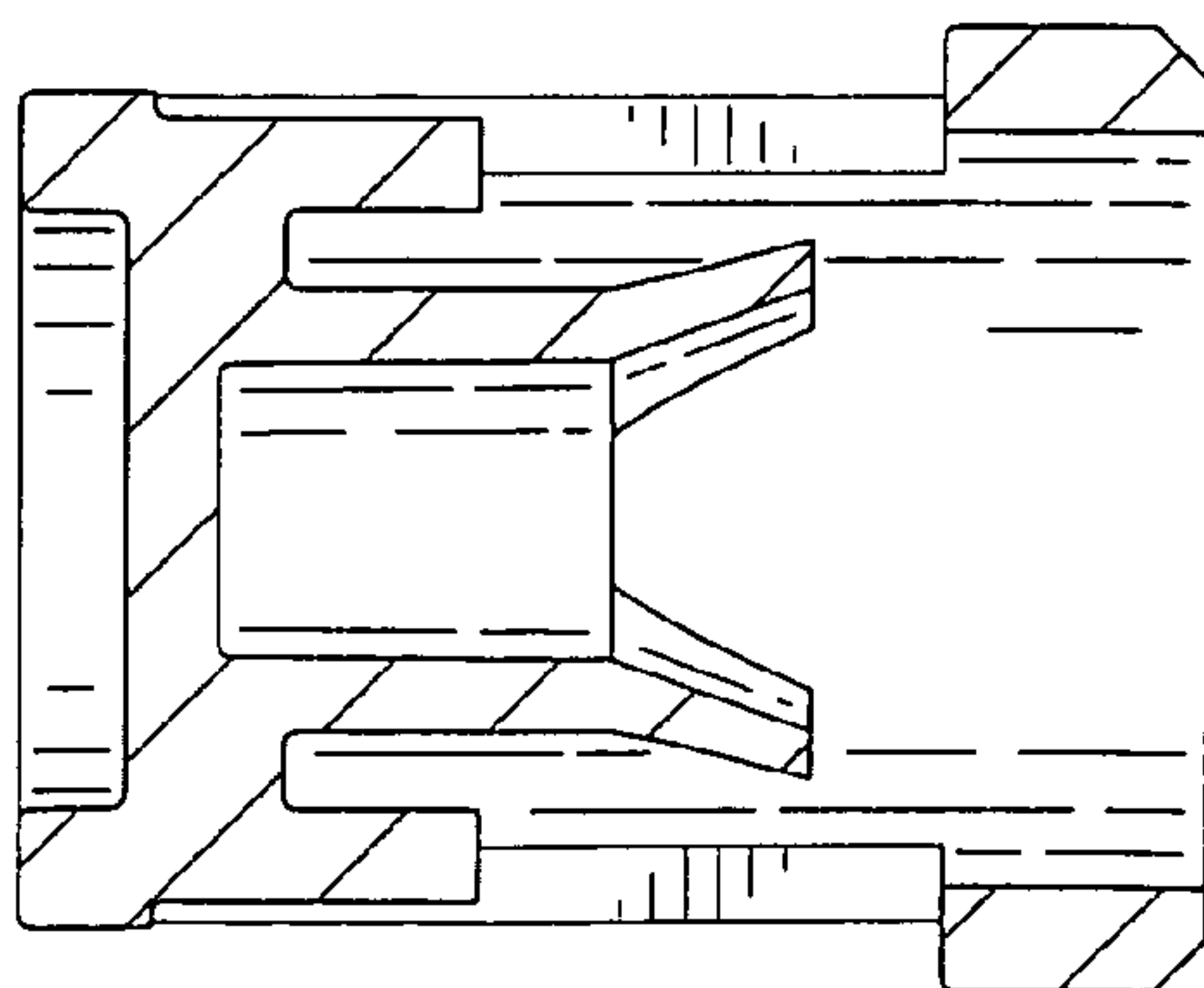


FIG. 8