

US00D635668S

(12) **United States Design Patent**
Bartlett et al.

(10) **Patent No.:** **US D635,668 S**

(45) **Date of Patent:** **** Apr. 5, 2011**

(54) **ENDOSCOPE SHEATH ASSEMBLY**

(75) Inventors: **James Alastair Louis Bartlett**,
Gloucester (GB); **Gary Victor Louis**
Warner, Malmesbury (GB)

(73) Assignee: **Q Park Medical Limited** (GB)

(**) Term: **14 Years**

(21) Appl. No.: **29/342,125**

(22) Filed: **Aug. 19, 2009**

(30) **Foreign Application Priority Data**

Feb. 23, 2009 (EP) 001095194-0001

(51) **LOC (9) Cl.** **24-02**

(52) **U.S. Cl.** **D24/138; D24/112**

(58) **Field of Classification Search** D24/138,
D24/133, 137, 112, 107, 130, 144; 600/119,
600/121, 123–125, 128, 130–134, 136, 139,
600/153, 101, 104, 129, 186, 156, 459, 566–567;
604/192, 263, 523, 158–159, 198, 164.01,
604/164.08, 165.02

See application file for complete search history.

(56) **References Cited**

U.S. PATENT DOCUMENTS

3,406,685	A *	10/1968	May	D24/112
3,454,006	A *	7/1969	Langdon	D24/112
3,515,137	A *	6/1970	Santomieri	D24/112
5,257,617	A *	11/1993	Takahashi	600/123
D373,418	S *	9/1996	Szpak	D24/112
5,879,287	A *	3/1999	Yoshihashi	600/123
D430,290	S *	8/2000	Cindrich et al.	D24/112
6,428,470	B1 *	8/2002	Thompson	600/121
6,443,910	B1 *	9/2002	Krueger et al.	600/567
D467,657	S *	12/2002	Scribner	D24/133
D469,871	S *	2/2003	Sand	D24/133

6,761,684	B1 *	7/2004	Speier	600/121
7,094,200	B2 *	8/2006	Katzman	600/108
7,179,244	B2 *	2/2007	Smith et al.	604/164.08
D573,256	S *	7/2008	Mauch	D24/130
7,413,542	B2 *	8/2008	Kucklick et al.	600/125
D620,107	S *	7/2010	Bartlett et al.	D24/138
2003/0083548	A1 *	5/2003	Ouchi et al.	600/121
2009/0281388	A1 *	11/2009	Ito	600/121

* cited by examiner

Primary Examiner — Ian Simmons

Assistant Examiner — Wan Laymon

(74) *Attorney, Agent, or Firm* — Mark J. Nahnsen; Barnes & Thornburg LLP

(57) **CLAIM**

The ornamental design for an endoscope sheath assembly, as shown and described.

DESCRIPTION

FIG. 1 is an isometric view of an endoscope sheath assembly; FIG. 2 is an enlarged top view of the endoscope sheath assembly;

FIG. 3 is an enlarged bottom view of the endoscope sheath assembly;

FIG. 4 is a front view of the endoscope sheath assembly;

FIG. 5 is a side view of the endoscope sheath assembly;

FIG. 6 is an isometric view of the endoscope sheath assembly with an outer casing removed to reveal a sheath;

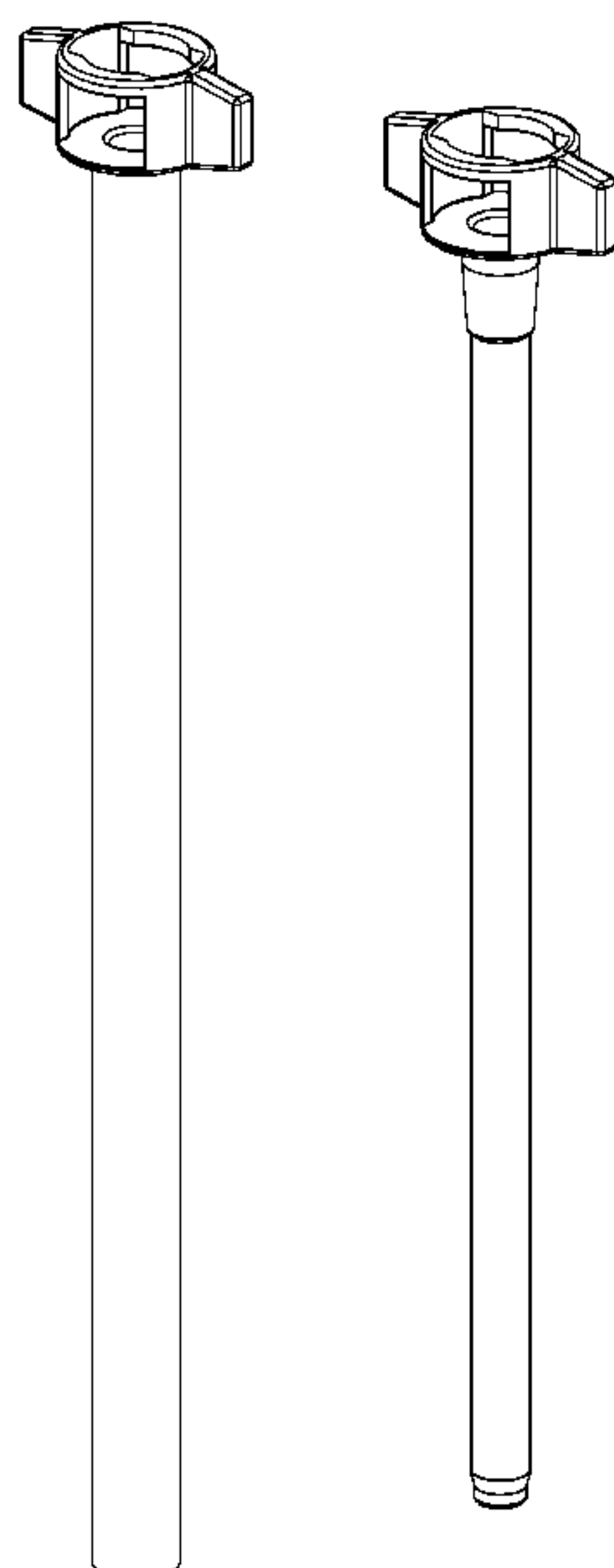
FIG. 7 is a front view of the endoscope sheath assembly of FIG. 6;

FIG. 8 is side view of the endoscope sheath assembly of FIG. 6; and,

FIG. 9 is an enlarged bottom view of the endoscope sheath assembly of FIG. 6.

Portions of the endoscope sheath assembly shown in broken lines form no part of the claimed design.

1 Claim, 9 Drawing Sheets



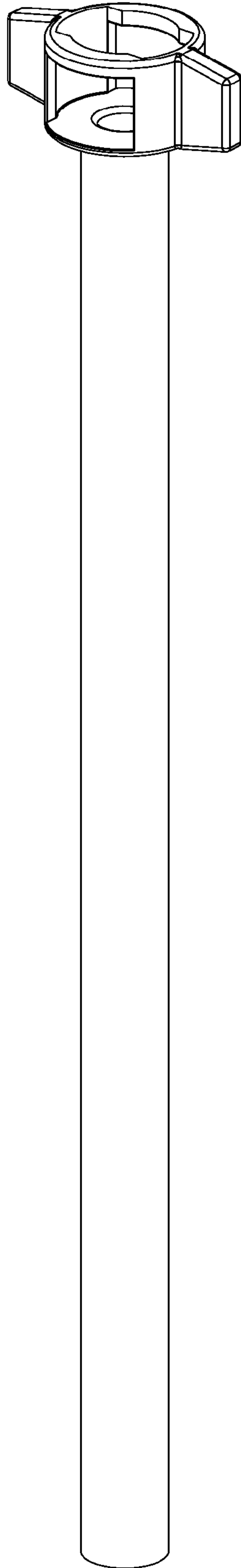


Fig. 1

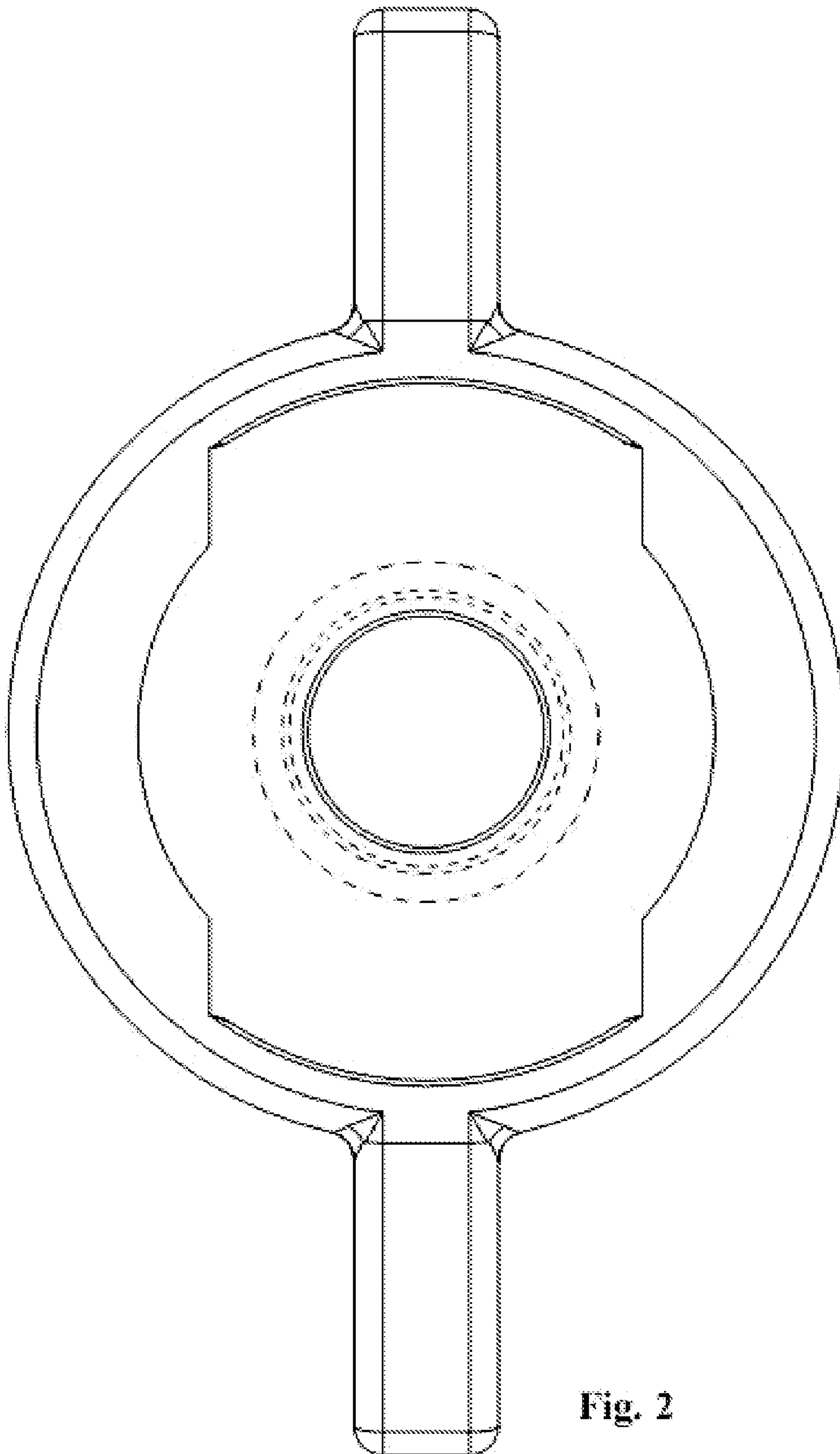


Fig. 2

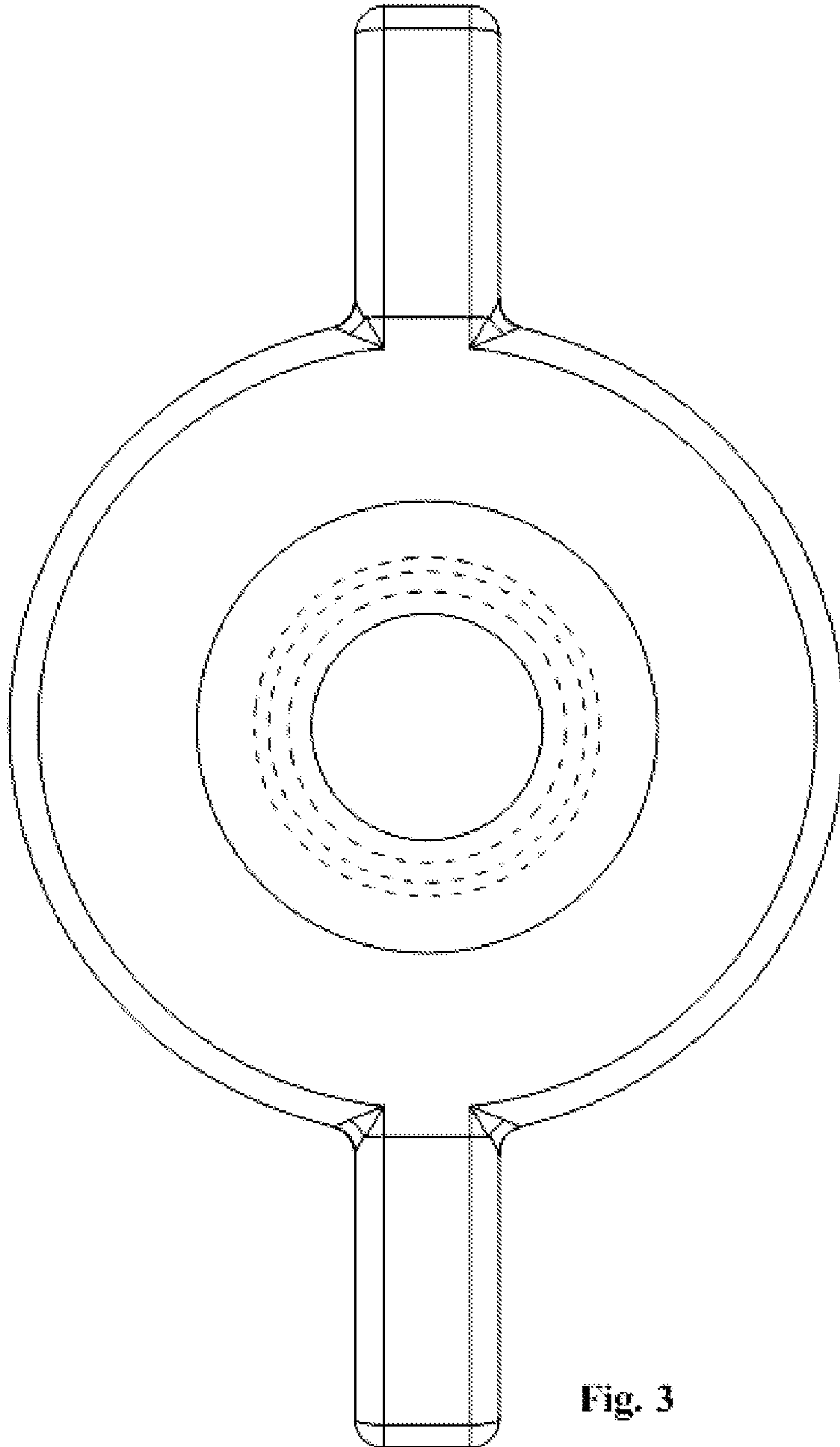


Fig. 3

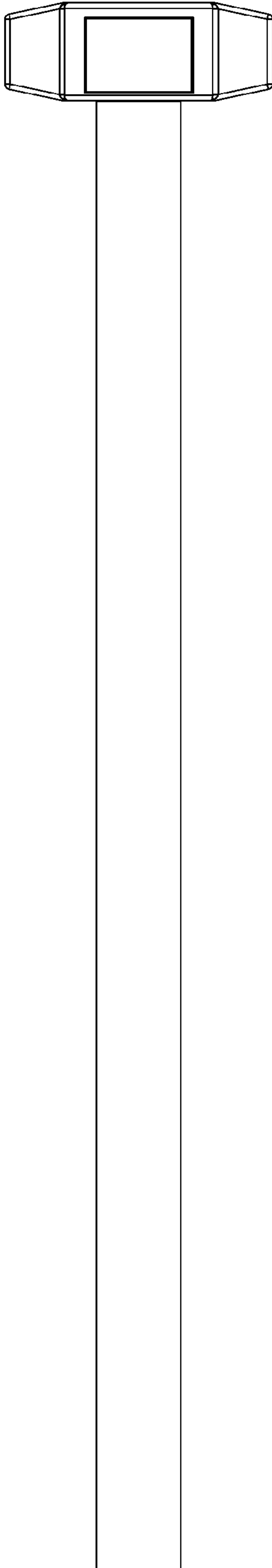


Fig. 4

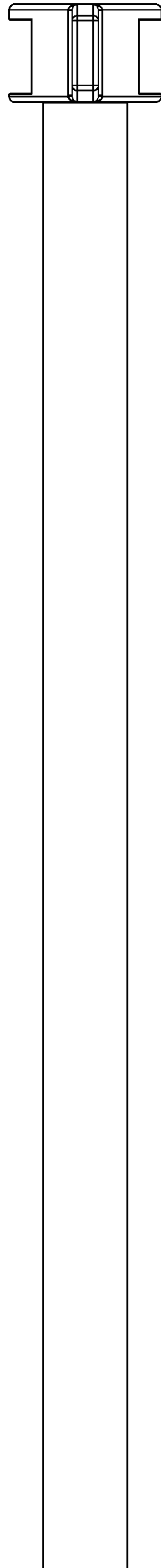


Fig. 5

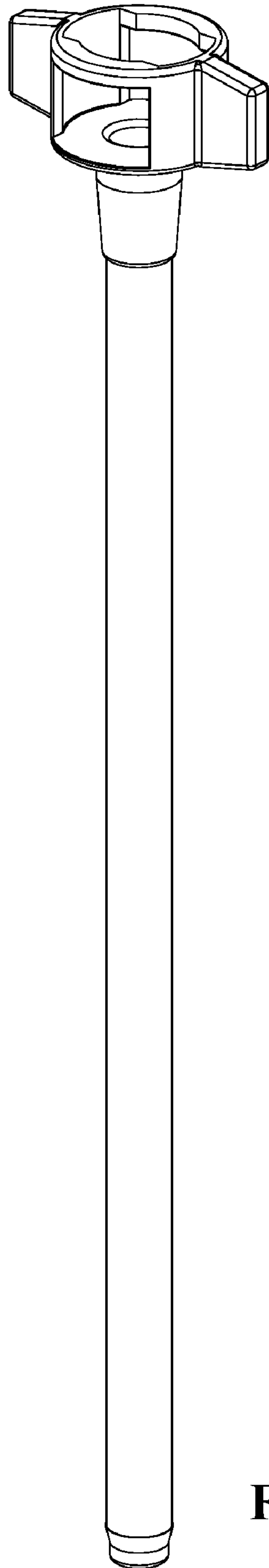


Fig. 6

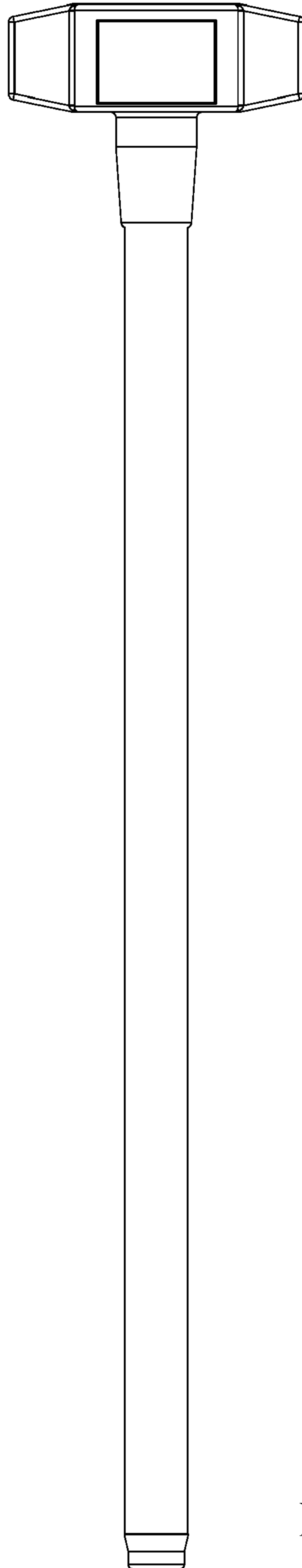


Fig. 7

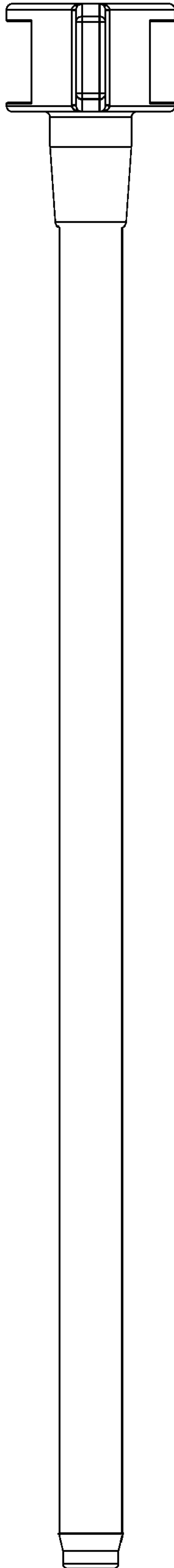


Fig. 8

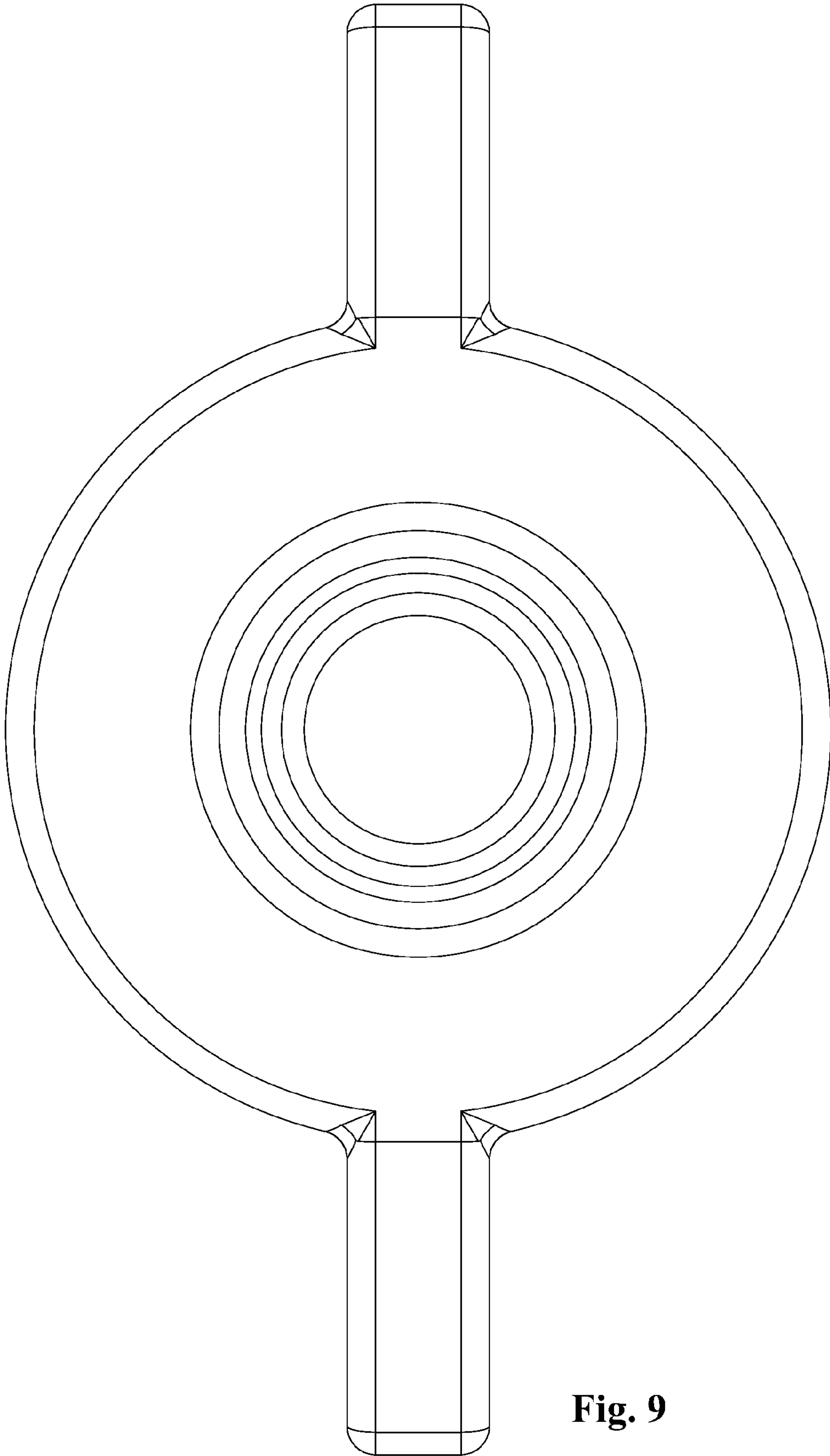


Fig. 9