



US00D635667S

(12) **United States Design Patent**
Soerensen et al.

(10) **Patent No.:** **US D635,667 S**

(45) **Date of Patent:** **** Apr. 5, 2011**

(54) **ELECTRONIC STETHOSCOPE CHESTPIECE**

(75) Inventors: **Tina H. Soerensen**, Silkeborg (DK);
Thomas A. Jensen, Abyhøj (DK)

(73) Assignee: **3M Innovative Properties Company**,
St. Paul, MN (US)

(**) Term: **14 Years**

(21) Appl. No.: **29/357,636**

(22) Filed: **Mar. 15, 2010**

(51) **LOC (9) Cl.** **24-02**

(52) **U.S. Cl.** **D24/134**

(58) **Field of Classification Search** D24/134;
181/131, 132

See application file for complete search history.

(56) **References Cited**

U.S. PATENT DOCUMENTS

D361,840	S	*	8/1995	Savage et al.	D24/134
5,561,275	A	*	10/1996	Savage et al.	181/131
D477,405	S		7/2003	Sommerfeld et al.	D24/134
D483,488	S	*	12/2003	Luthy et al.	D24/140
D487,928	S	*	3/2004	Drummond et al.	D24/134
D527,819	S		9/2006	Poulsen et al.	D24/134
D555,789	S	*	11/2007	Norleen	D24/134
D589,144	S	*	3/2009	Bagha et al.	D24/134
D625,804	S	*	10/2010	Sternberger	D24/134

2004/0226771	A1*	11/2004	Werblud	181/131
2005/0157887	A1*	7/2005	Kim	381/67
2006/0167385	A1*	7/2006	Guion	600/586
2006/0227979	A1*	10/2006	Chen	381/67

* cited by examiner

Primary Examiner — Bridget L Eland

(74) *Attorney, Agent, or Firm* — Nancy Lambert

(57) **CLAIM**

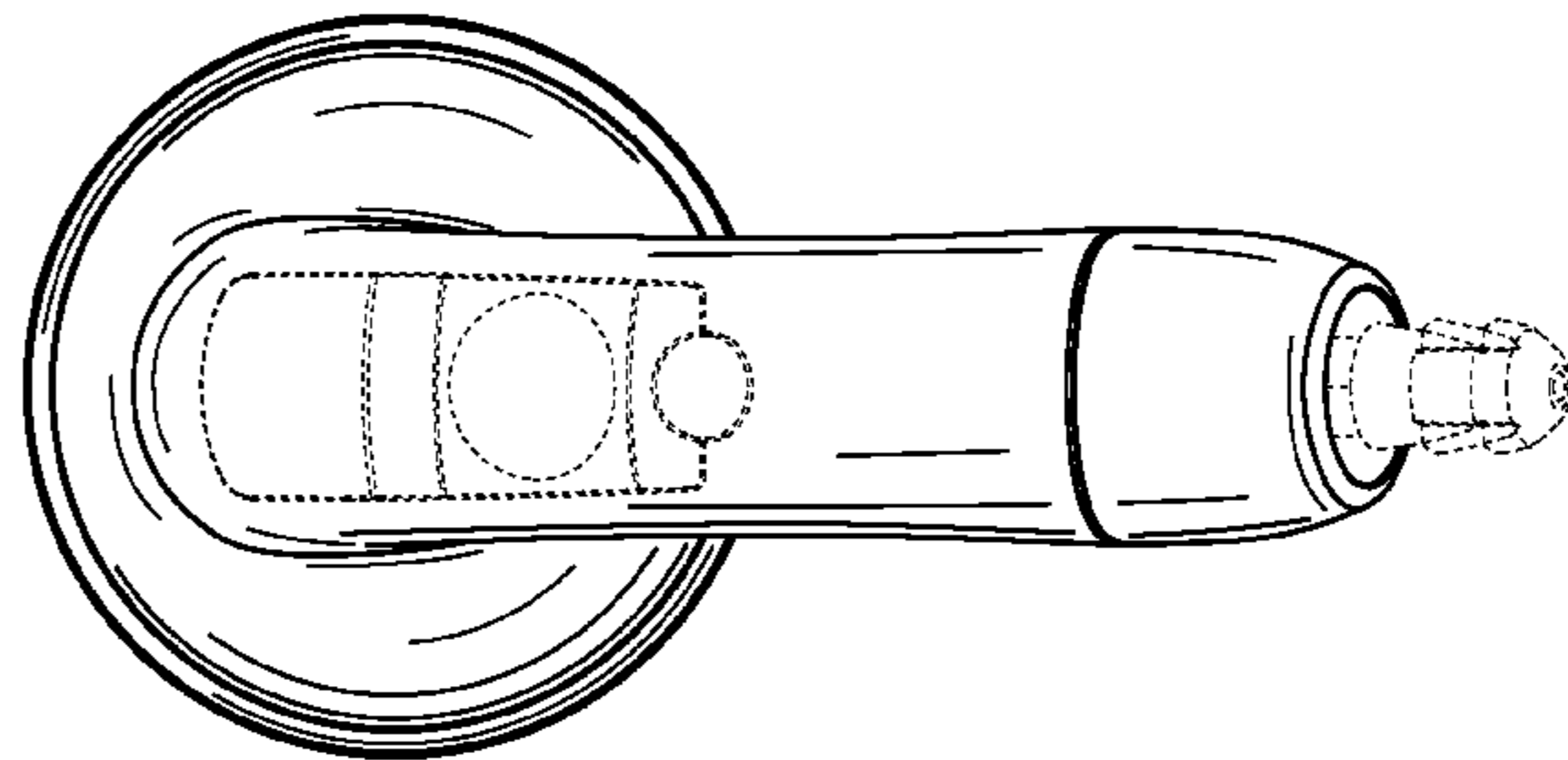
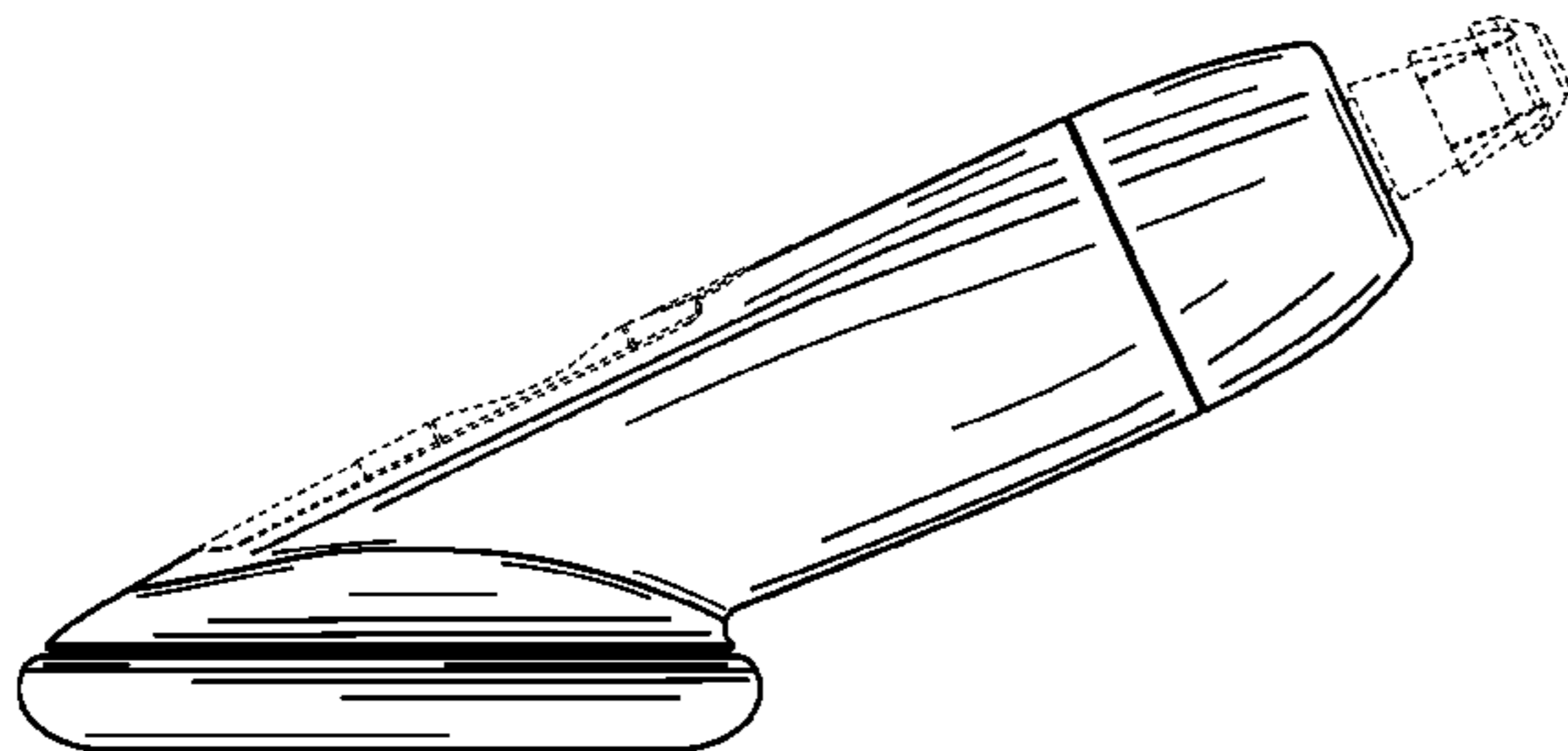
The ornamental design for an electronic stethoscope chest-piece, substantially as shown and described.

DESCRIPTION

FIG. 1 is a perspective view of an electronic stethoscope chestpiece showing our new design; FIG. 2 is a right side elevational view thereof; and the left side elevational view being a mirror image thereof; FIG. 3 is a front elevational view thereof; FIG. 4 is a rear elevational view thereof; FIG. 5 is a bottom plan elevational view thereof; and, FIG. 6 is a top plan view thereof.

The broken lines immediately adjacent the shaded areas represent the bounds of the claimed design while all other broken lines are directed to environment and are for illustrative purposes only; the broken lines form no part of the claimed design.

1 Claim, 2 Drawing Sheets



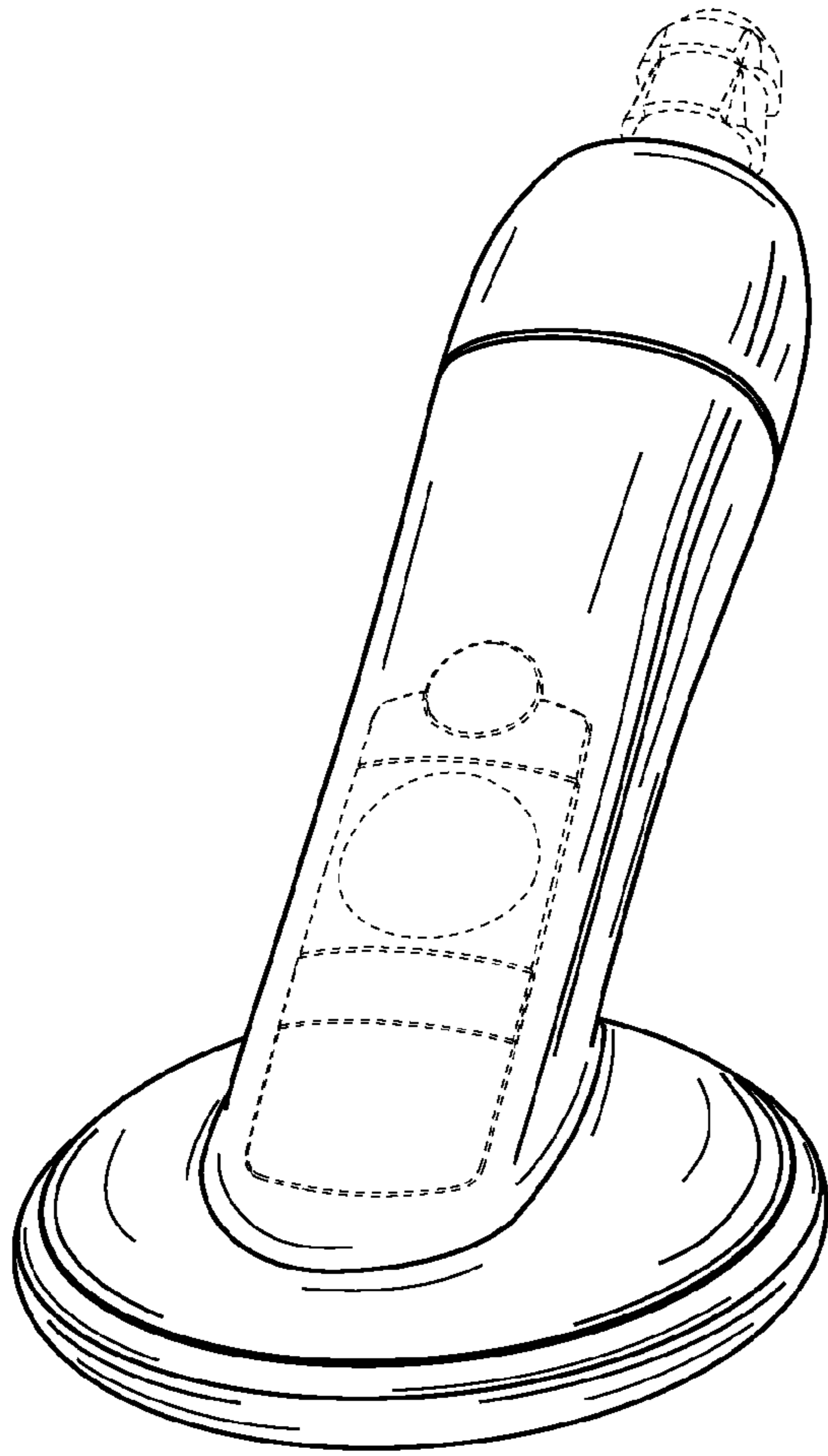


FIG. 1

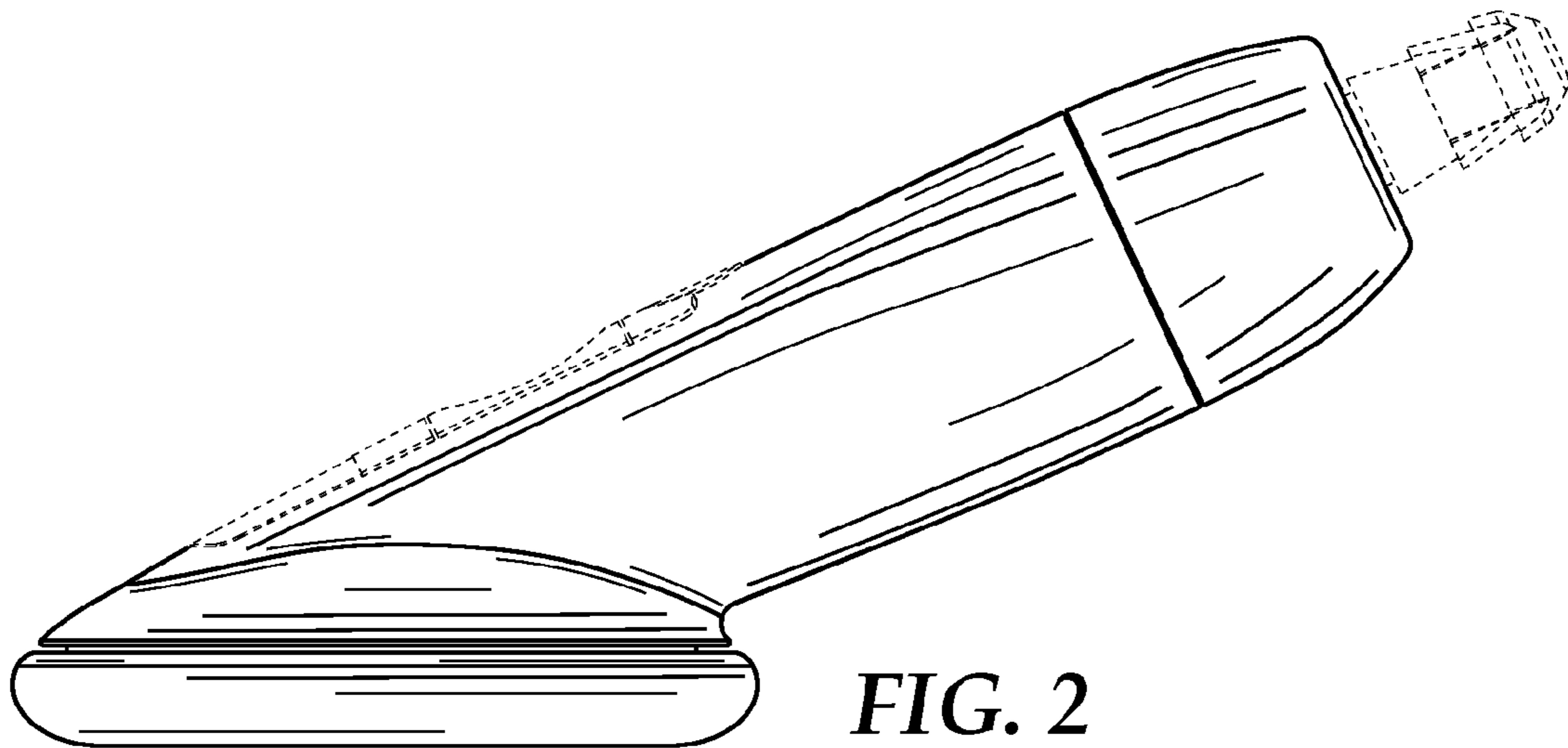


FIG. 2

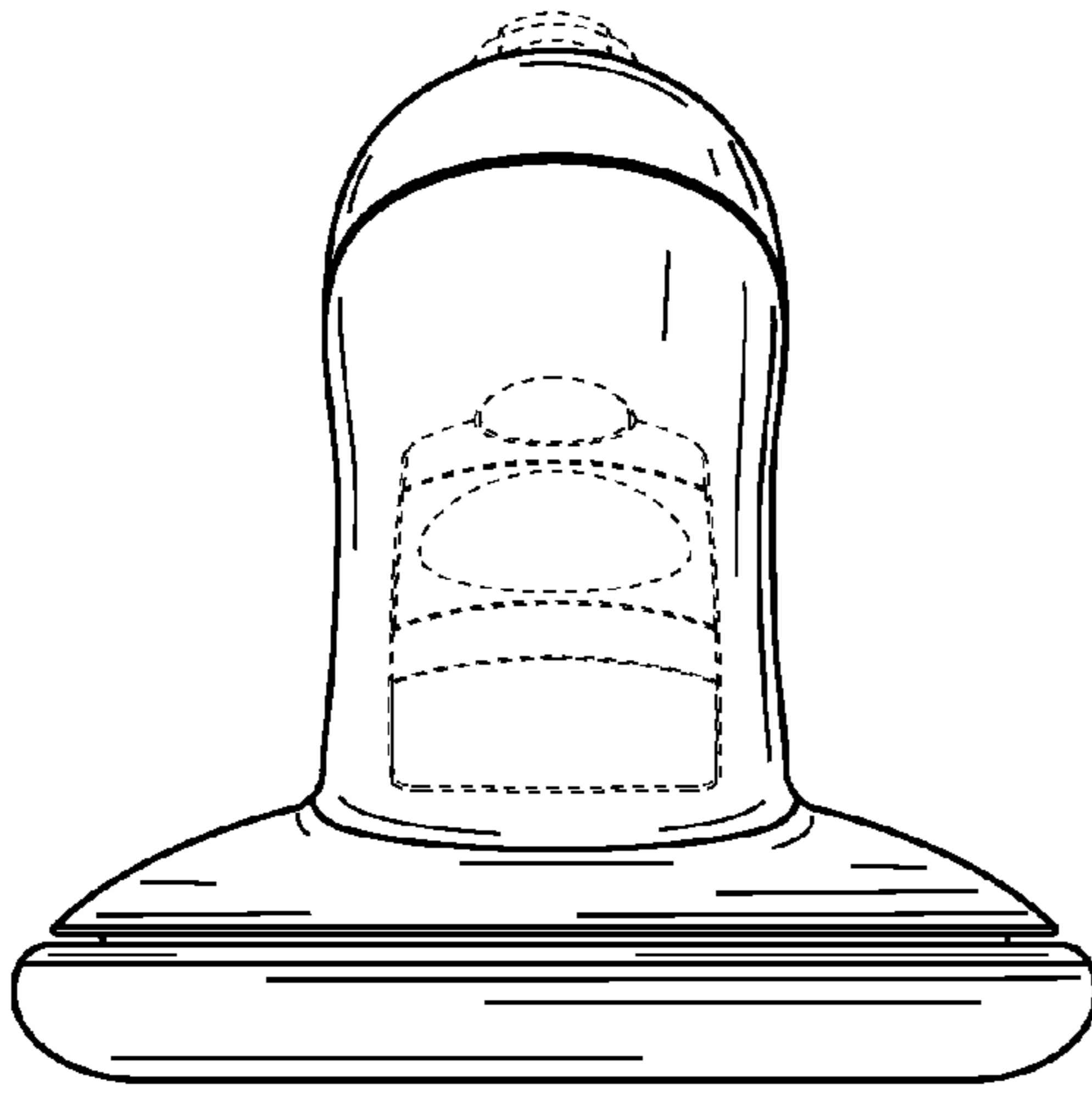


FIG. 3

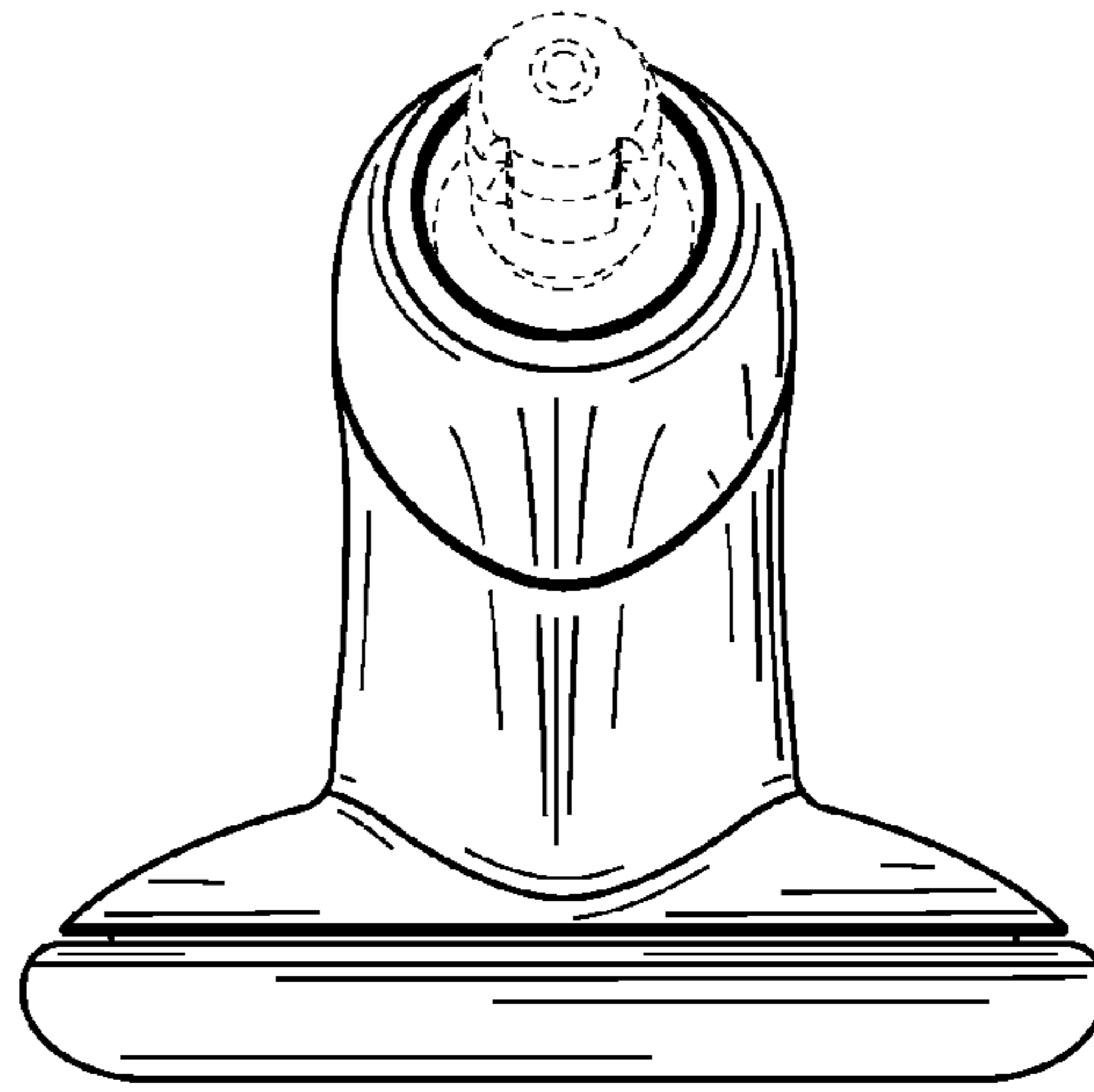


FIG. 4

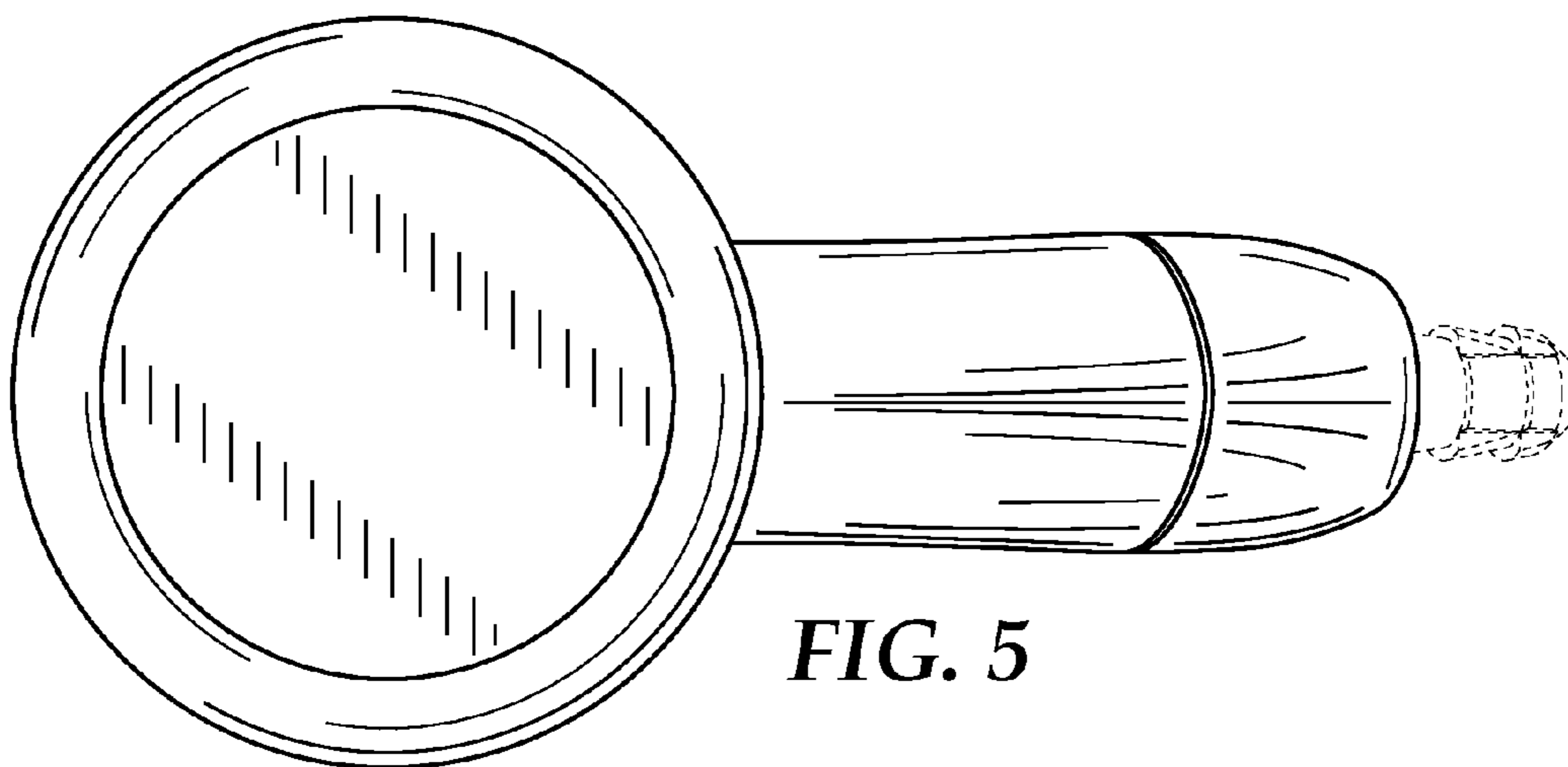


FIG. 5

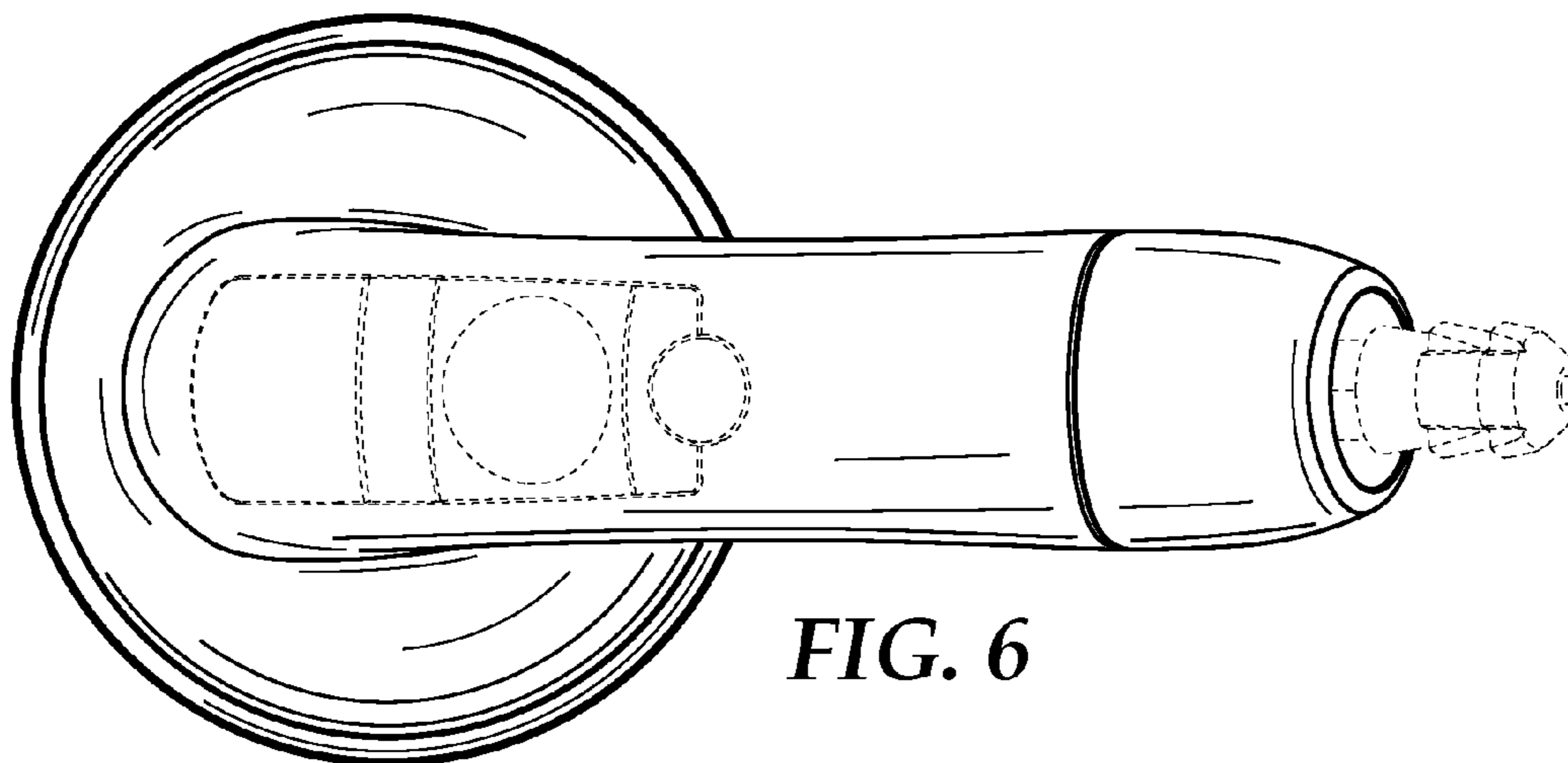


FIG. 6