



US00D635665S

(12) **United States Design Patent**
Kawamura

(10) **Patent No.:** **US D635,665 S**

(45) **Date of Patent:** **** Apr. 5, 2011**

(54) **SYRINGE BARREL**

(75) Inventor: **Hideaki Kawamura**, Sumida-ku (JP)

(73) Assignee: **Daikyo Seiko, Ltd.**, Tokyo (JP)

(**) Term: **14 Years**

(21) Appl. No.: **29/370,698**

(22) Filed: **Aug. 23, 2010**

(30) **Foreign Application Priority Data**

Mar. 8, 2010 (JP) 2010-005573

(51) **LOC (9) Cl.** **24-02**

(52) **U.S. Cl.** **D24/130**

(58) **Field of Classification Search** D24/108,
D24/112, 114, 130; 604/6.12, 93, 164, 167,
604/165, 166, 187-189, 192-194, 198, 208,
604/218, 223, 232, 240-241, 243; 222/390

See application file for complete search history.

(56) **References Cited**

U.S. PATENT DOCUMENTS

5,106,379	A *	4/1992	Leap	604/198
6,602,229	B2 *	8/2003	Coss	604/187
2002/0198498	A1 *	12/2002	Porat et al.	604/187
2004/0122378	A1 *	6/2004	Hsu	604/240
2006/0173416	A1 *	8/2006	Young	604/187
2006/0178644	A1 *	8/2006	Reynolds	604/232
2007/0135767	A1 *	6/2007	Gillespie et al.	604/135
2007/0179448	A1 *	8/2007	Lim et al.	604/187
2007/0191784	A1 *	8/2007	Jacobs et al.	604/224
2007/0239117	A1 *	10/2007	Chelak et al.	604/198
2008/0097336	A1 *	4/2008	Lee et al.	604/198
2008/0269691	A1 *	10/2008	Cowe	604/198
2008/0300549	A1 *	12/2008	Verespej et al.	604/198

2009/0062744	A1 *	3/2009	Weilbacher et al.	604/192
2010/0106085	A1 *	4/2010	Perot	604/83
2010/0160894	A1 *	6/2010	Julian et al.	604/506

FOREIGN PATENT DOCUMENTS

JP 2007-260349 A 10/2007

* cited by examiner

Primary Examiner — T. Chase Nelson

Assistant Examiner — Eric L Goodman

(74) *Attorney, Agent, or Firm* — Chapman and Cutler LLP

(57) **CLAIM**

The ornamental design for a syringe barrel, as shown and described.

DESCRIPTION

FIG. 1 is a front elevational view of a syringe barrel showing my new design;

FIG. 2 is a plan view thereof;

FIG. 3 is a right side elevational view thereof;

FIG. 4 is a right side elevational view thereof, enlarged to show detail;

FIG. 5 is a sectional view thereof taken along line 5—5 of FIG. 1;

FIG. 6 is a sectional view thereof taken along line 6—6 of FIG. 1;

FIG. 7 is a sectional view thereof taken along line 7—7 of FIG. 3;

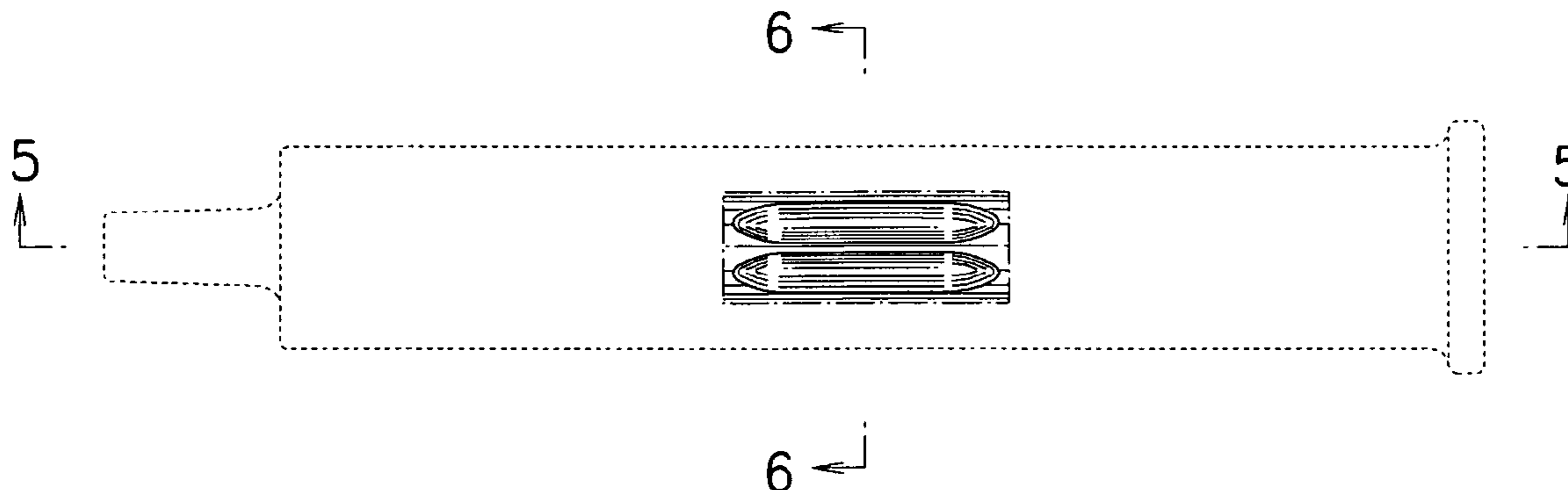
FIG. 8 is a perspective sectional view thereof taken along line 8—8 of FIG. 3;

FIG. 9 is a perspective view thereof; and,

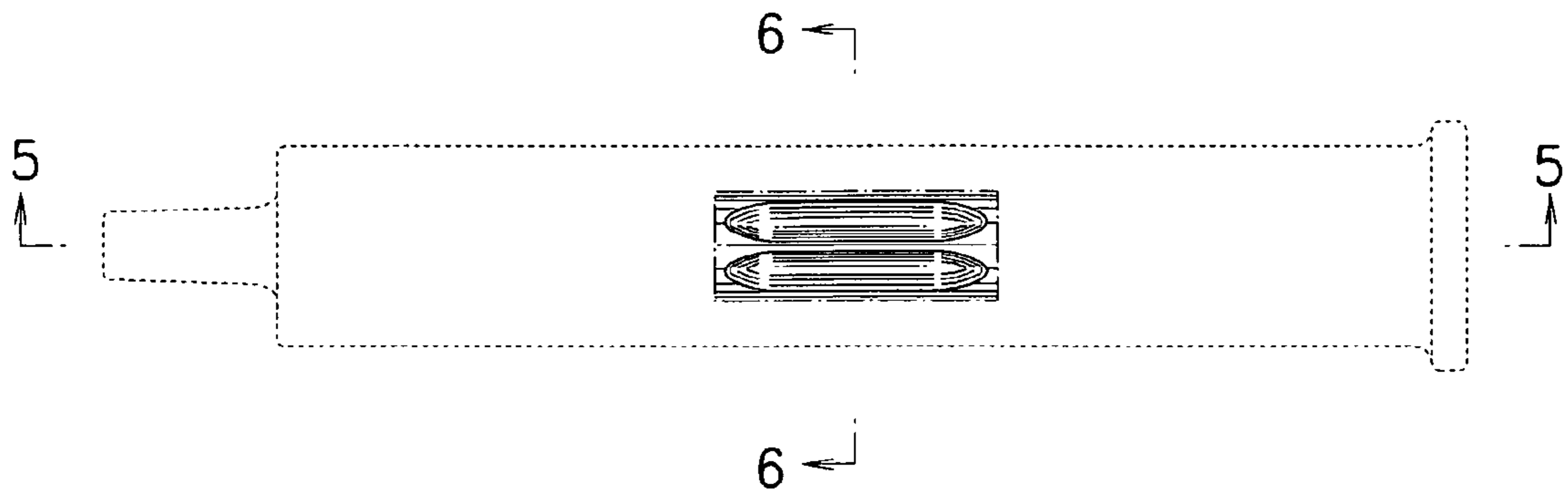
FIG. 10 is a front elevational view thereof.

The broken lines are for the purpose of illustrating environmental structure only and form no part of the claimed design.

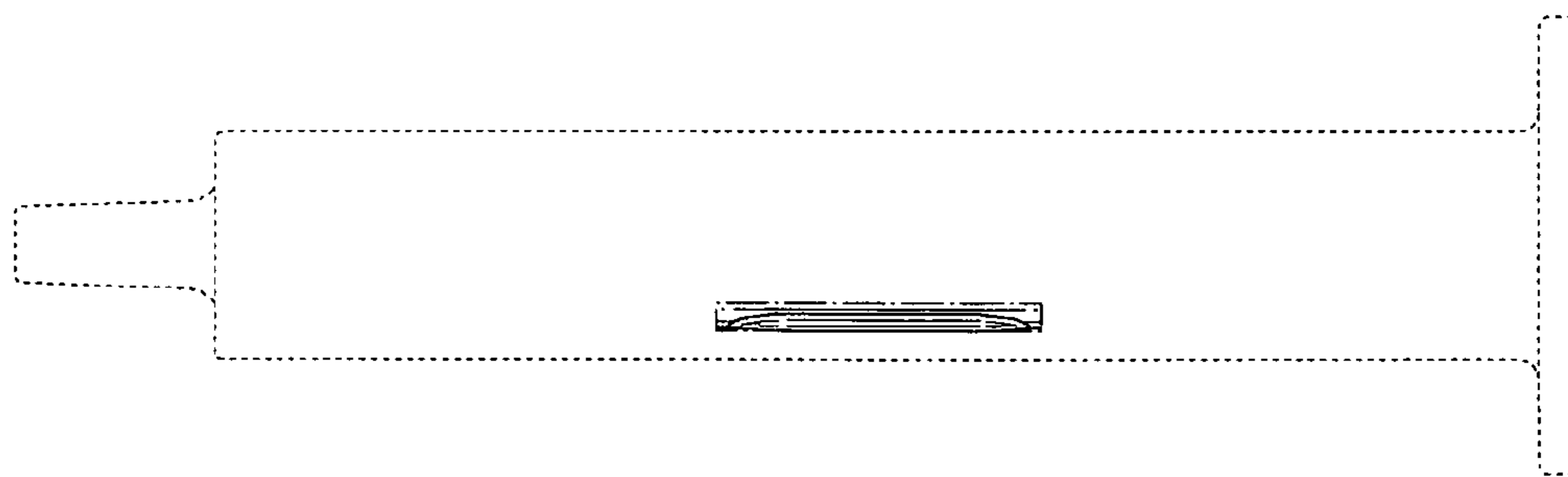
1 Claim, 6 Drawing Sheets



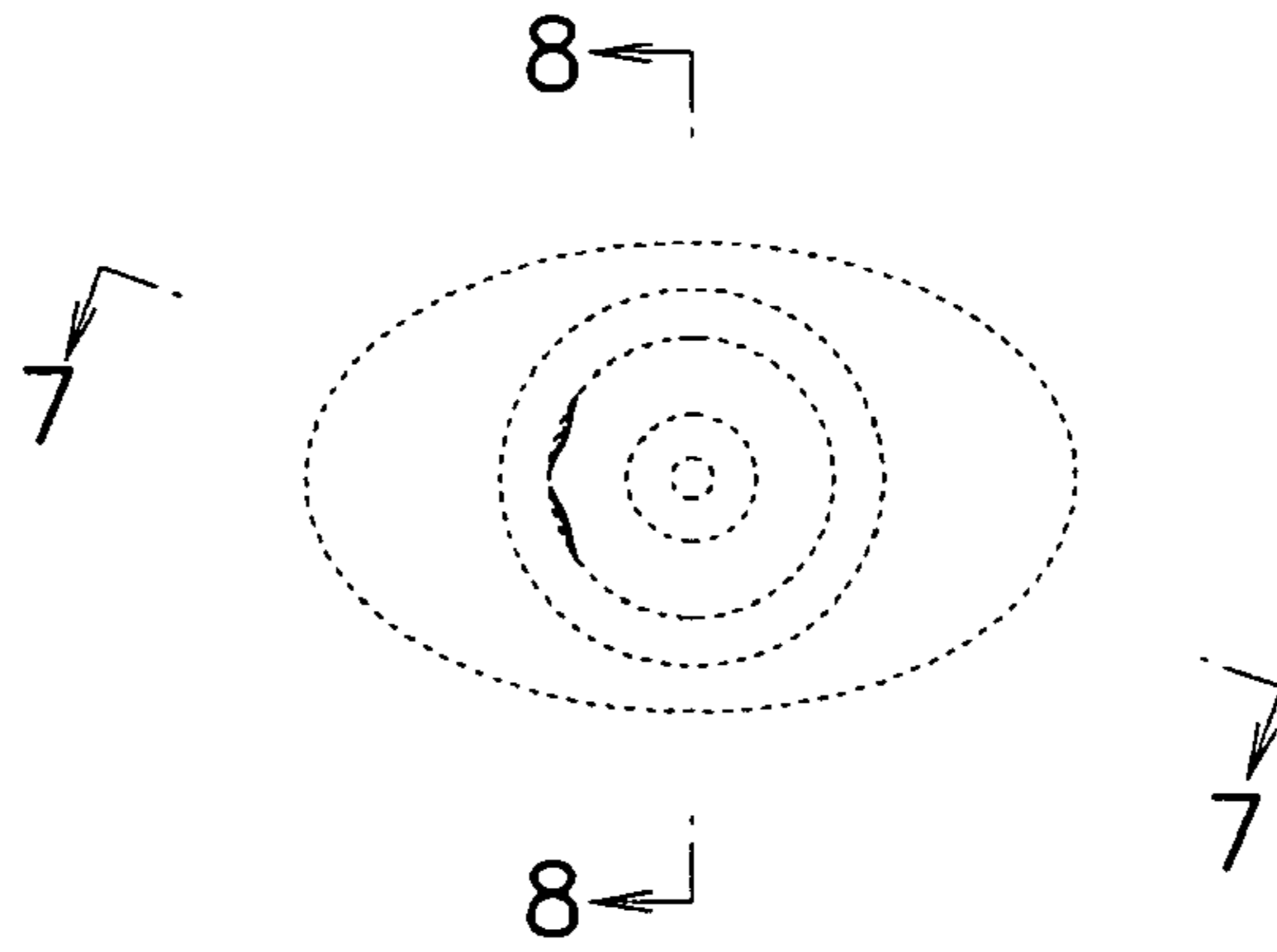
F I G. 1



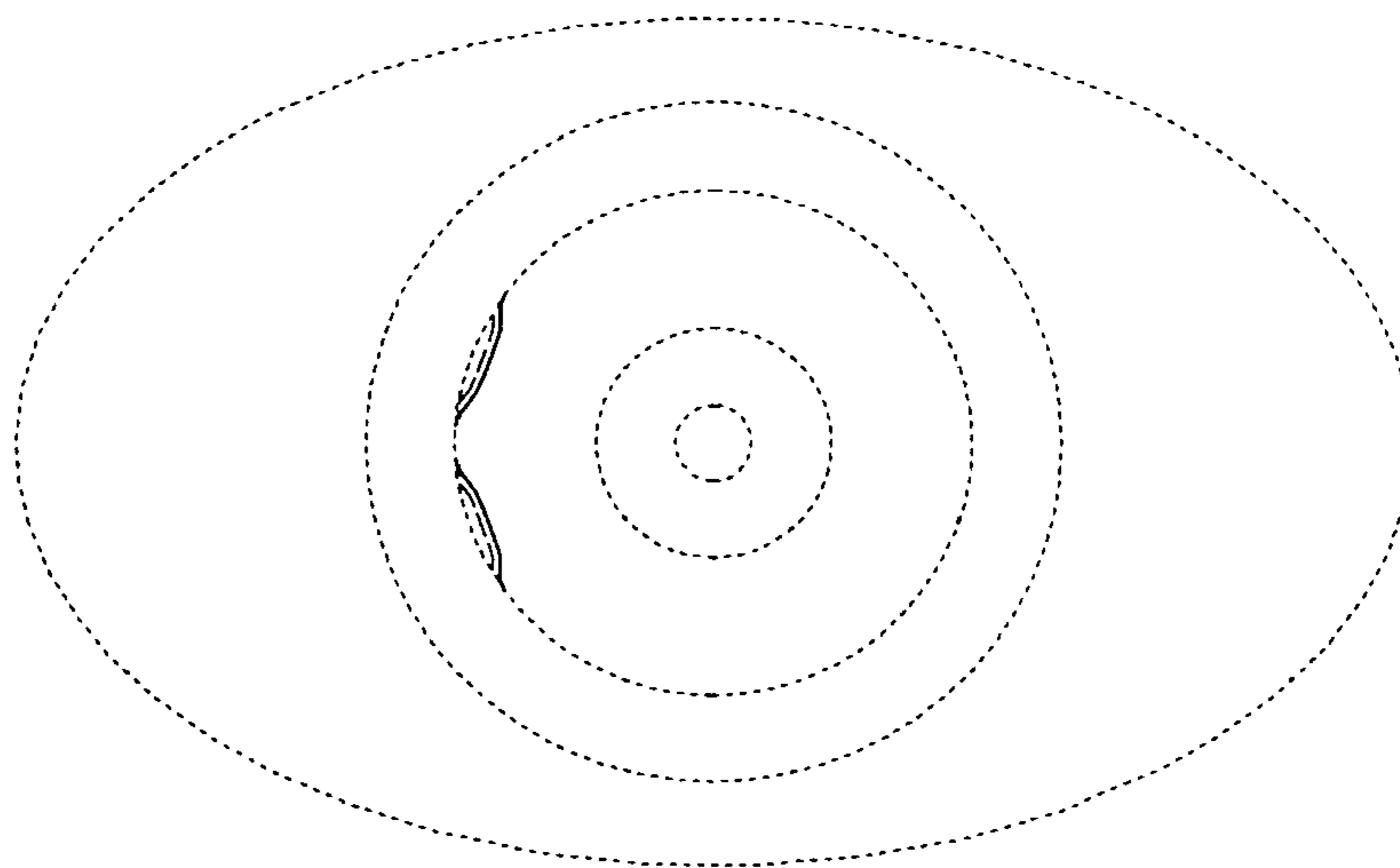
F I G. 2



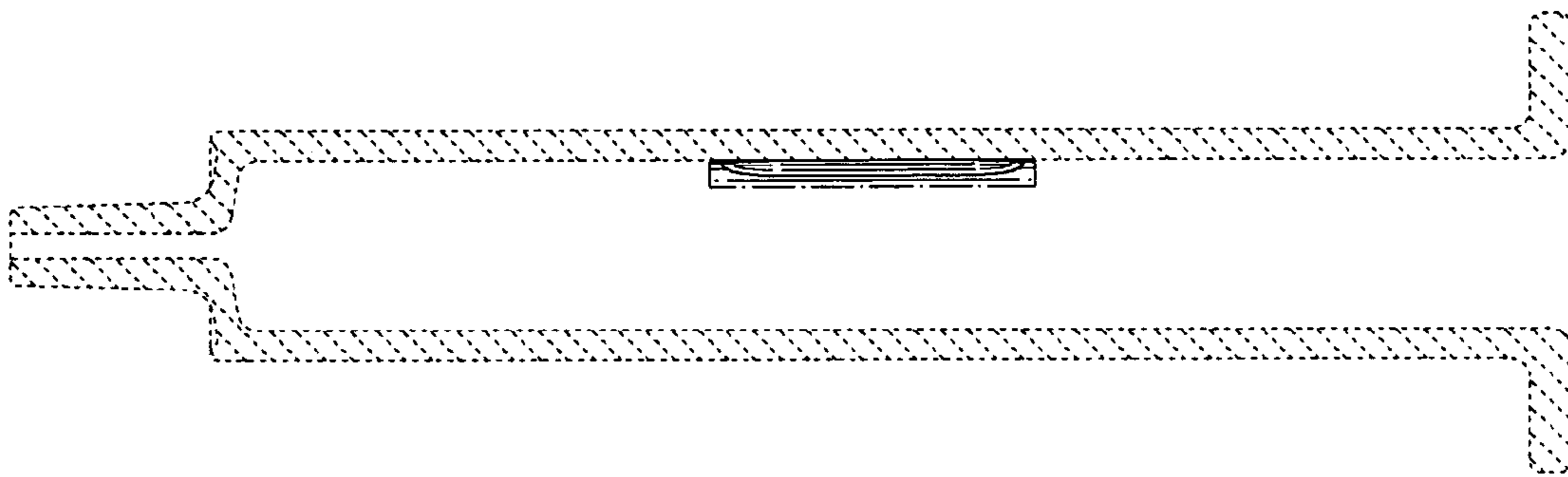
F I G. 3



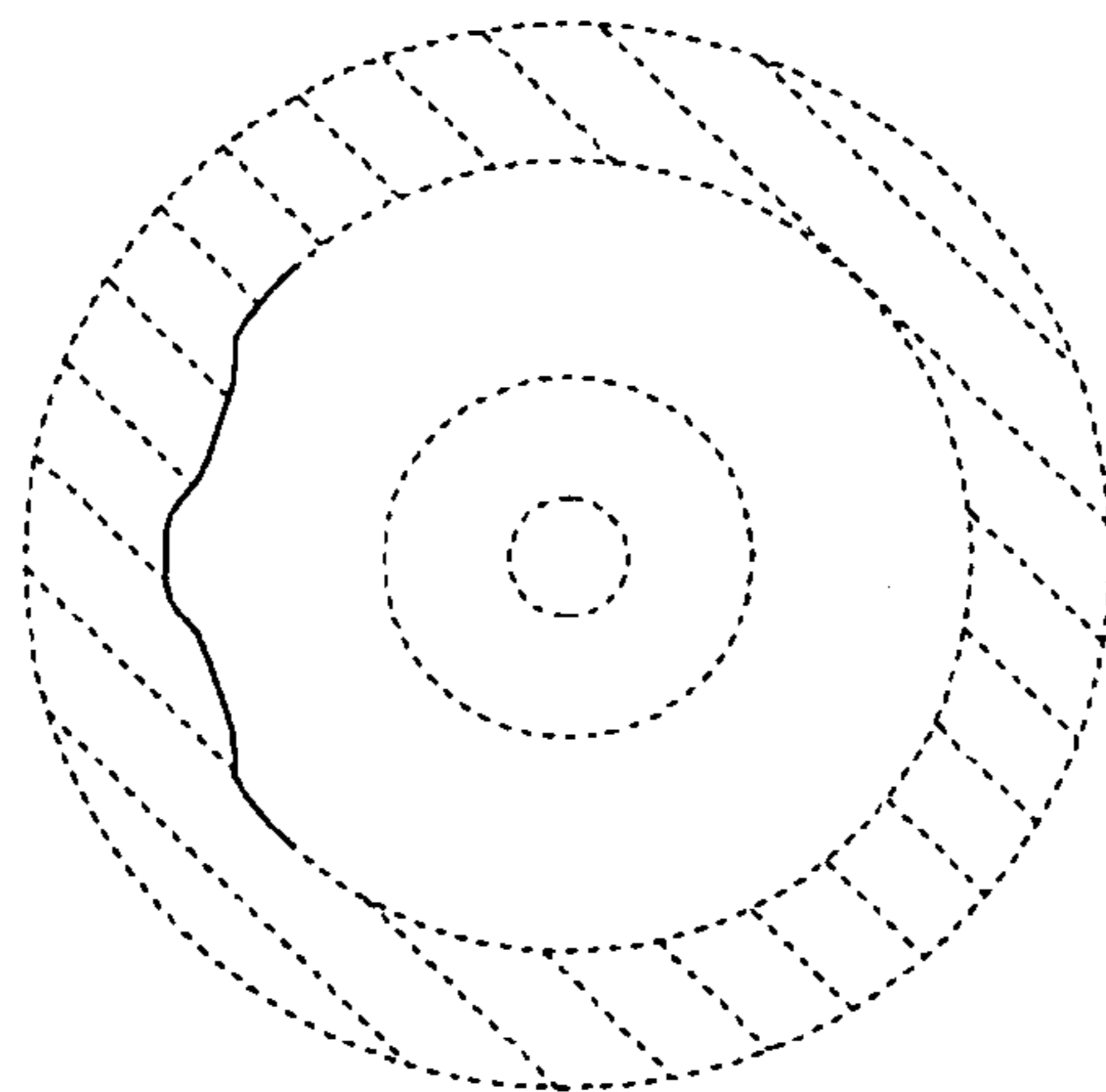
F I G. 4



F I G. 5



F I G. 6



F I G. 7

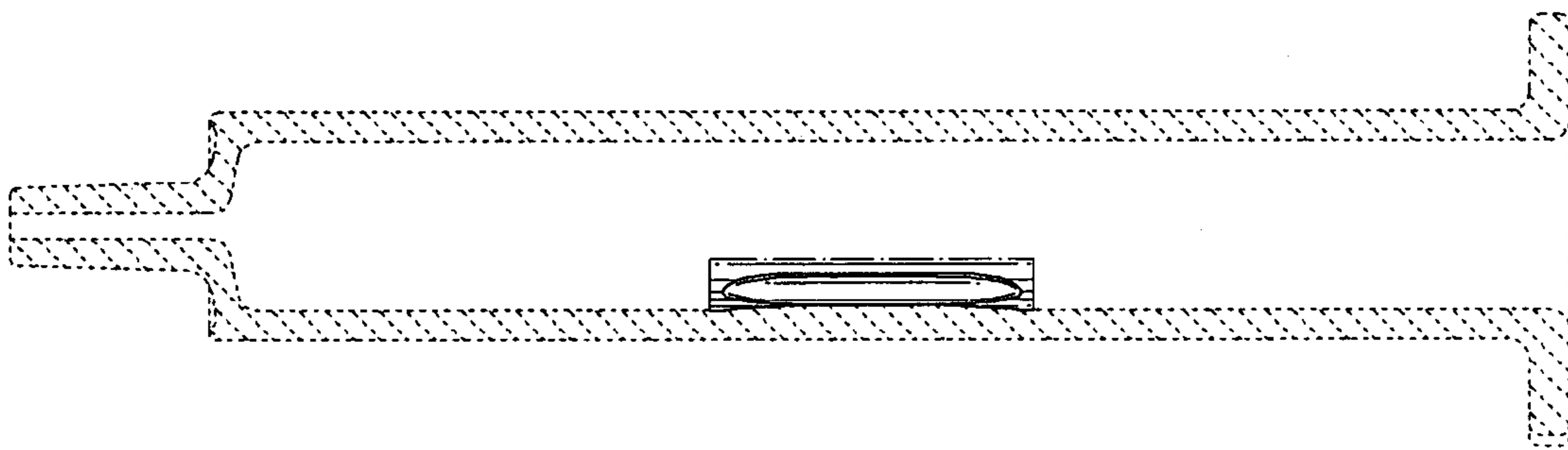


FIG. 8

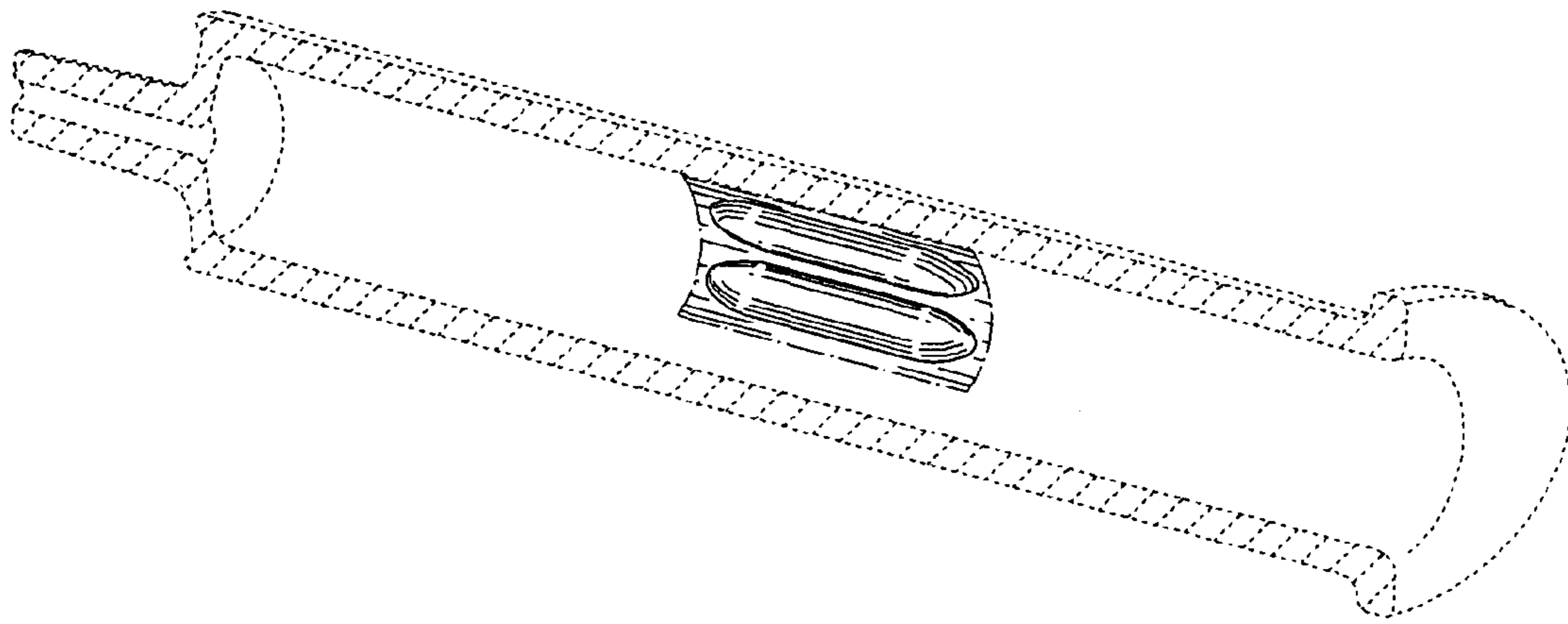
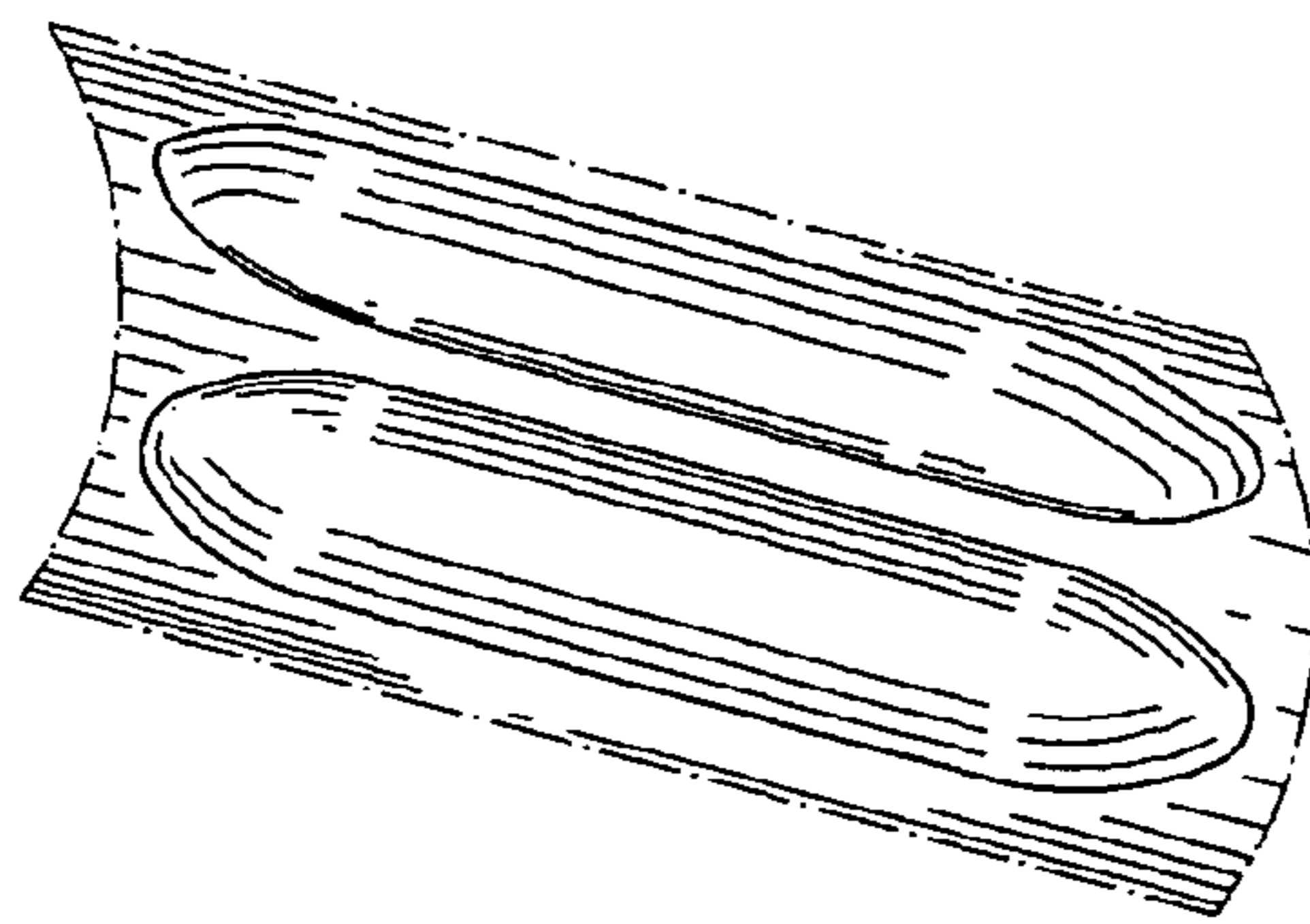


FIG. 9



F I G. 10

