



US00D635663S

(12) **United States Design Patent**
Sung et al.

(10) **Patent No.:** **US D635,663 S**

(45) **Date of Patent:** **** Apr. 5, 2011**

(54) **DRIP STAND**

(75) Inventors: **Goo Sung**, Beaverton, OR (US); **Arthur Yahsheng Wu**, Portland, OR (US)

(73) Assignee: **Modo, Inc.**, Beaverton, OR (US)

(**) Term: **14 Years**

(21) Appl. No.: **29/378,305**

(22) Filed: **Nov. 2, 2010**

2006/0113434 A1 6/2006 Richter
2007/0034756 A1 2/2007 Tsai et al.
2008/0039796 A1 2/2008 Nakajima

* cited by examiner

Primary Examiner — T. Chase Nelson
Assistant Examiner — Eric L Goodman

(74) *Attorney, Agent, or Firm* — Stoel Rives LLP

(57) **CLAIM**

We claim the ornamental design for a drip stand, as shown and described.

Related U.S. Application Data

(62) Division of application No. 29/333,561, filed on Mar. 11, 2009.

(51) **LOC (9) Cl.** **24-02**

(52) **U.S. Cl.** **D24/128**

(58) **Field of Classification Search** D24/127-128;
248/121, 125.1, 124.1, 129

See application file for complete search history.

(56) **References Cited**

U.S. PATENT DOCUMENTS

2,904,345	A	9/1959	Bradley	
D196,550	S	10/1963	Lovald	
D260,816	S	9/1981	Zissimopoulos et al.	
D372,533	S	8/1996	Davis	
D419,674	S	1/2000	Schattner	
7,497,407	B2	3/2009	Blankenship et al.	
D627,063	S *	11/2010	West et al. D24/128
7,828,254	B2 *	11/2010	Stephens-De Alanis 248/158
D628,691	S	12/2010	Sung et al.	

DESCRIPTION

FIG. 1 is a frontal perspective view of a drip stand, according to one embodiment.

FIG. 2 is a back perspective view of the drip stand of FIG. 1.

FIG. 3 is a rear elevation of the drip stand of FIG. 1.

FIG. 4 is a frontal elevation of the drip stand of FIG. 1.

FIG. 5 is a right side elevation of the drip stand of FIG. 1.

FIG. 6 is a left side elevation of the drip stand of FIG. 1.

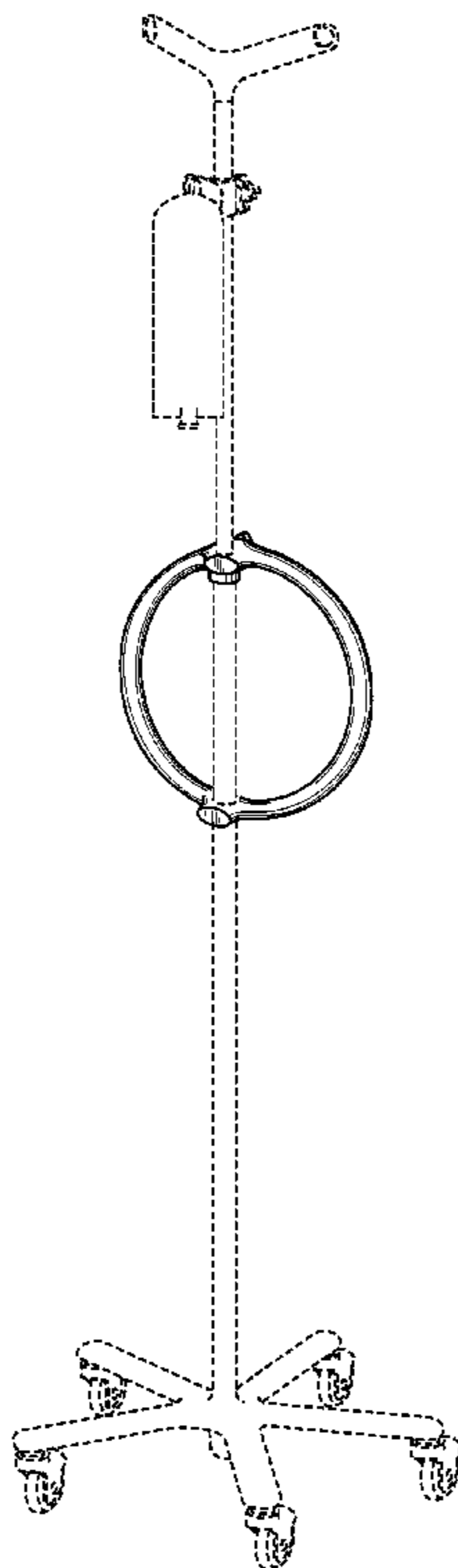
FIG. 7 is a top plan view of the drip stand of FIG. 1; and,

FIG. 8 is a bottom plan view of the drip stand of FIG. 1.

In FIGS. 1-8, the dashed lines showing borders and features illustrate environment only and form no part of the claimed design.

FIGS. 2-8 include an infusion pump in dashed lines. The infusion pump was removed from FIG. 1 so as not to obscure the view of the drip stand.

1 Claim, 4 Drawing Sheets



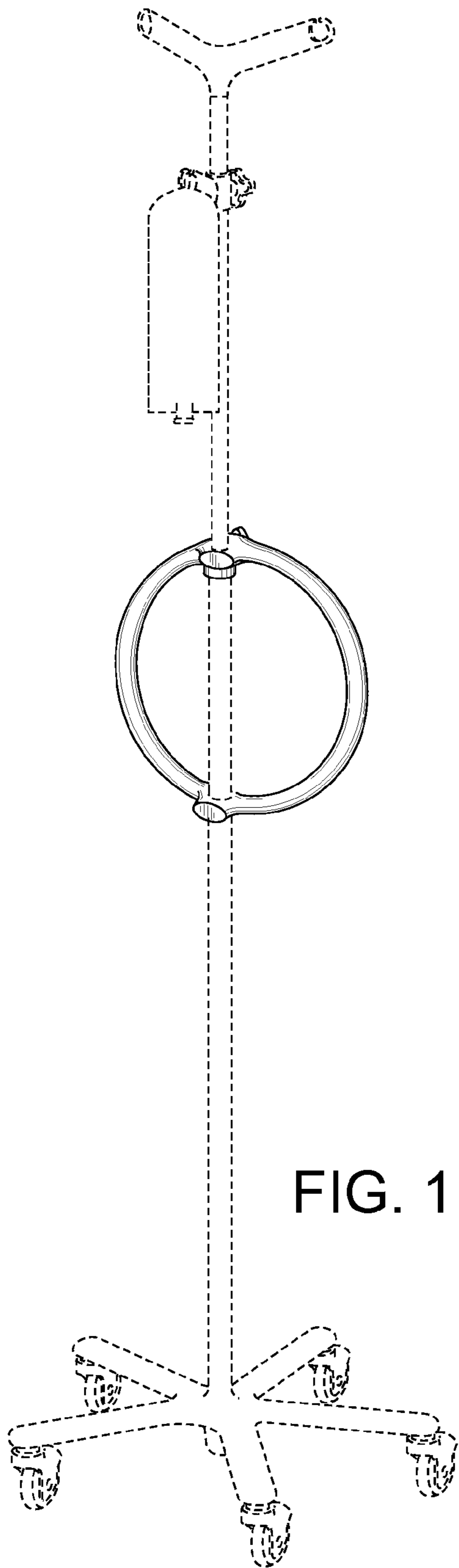


FIG. 1

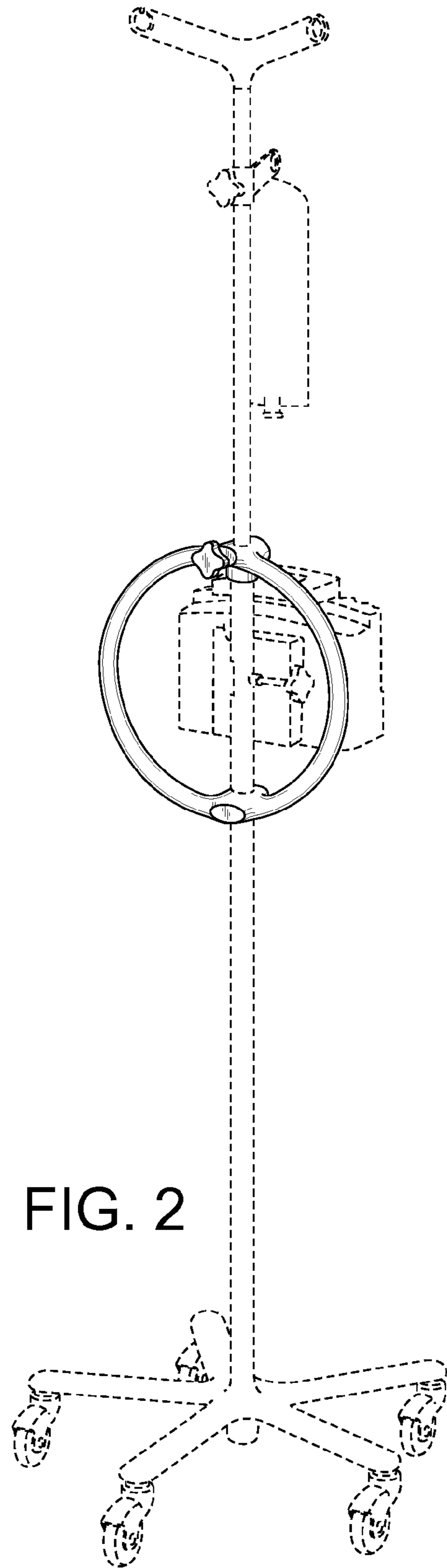
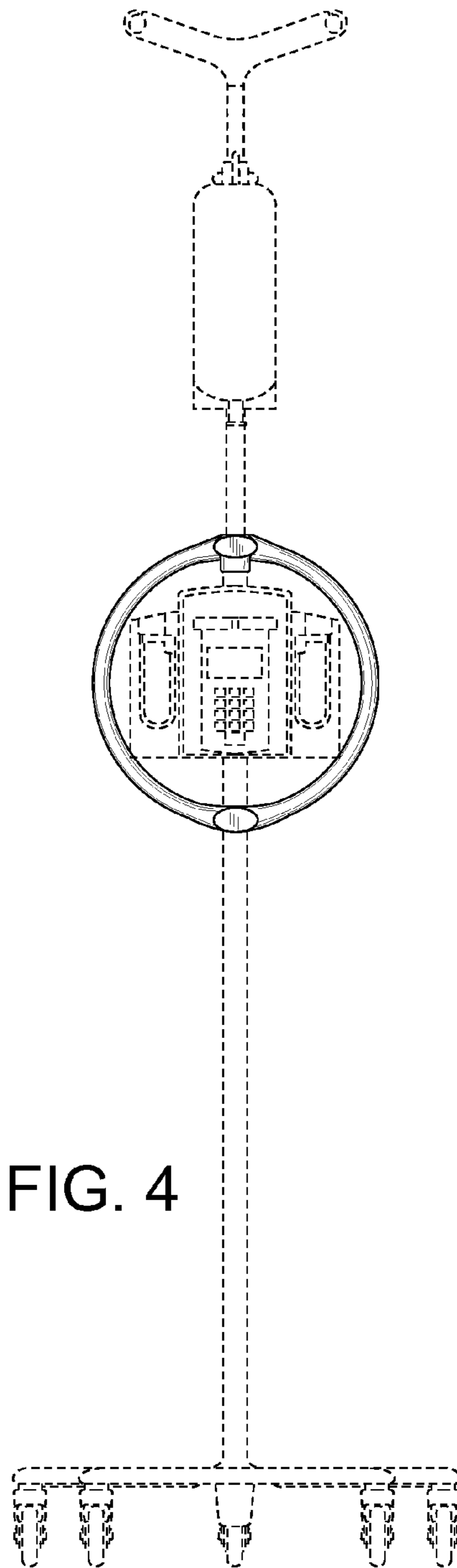
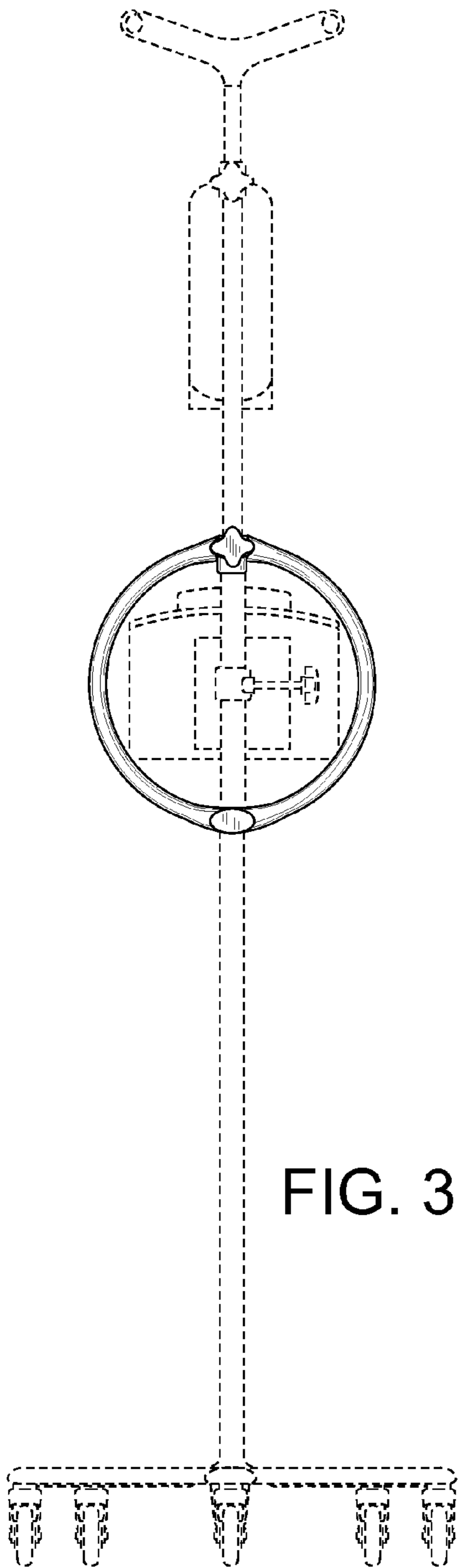


FIG. 2



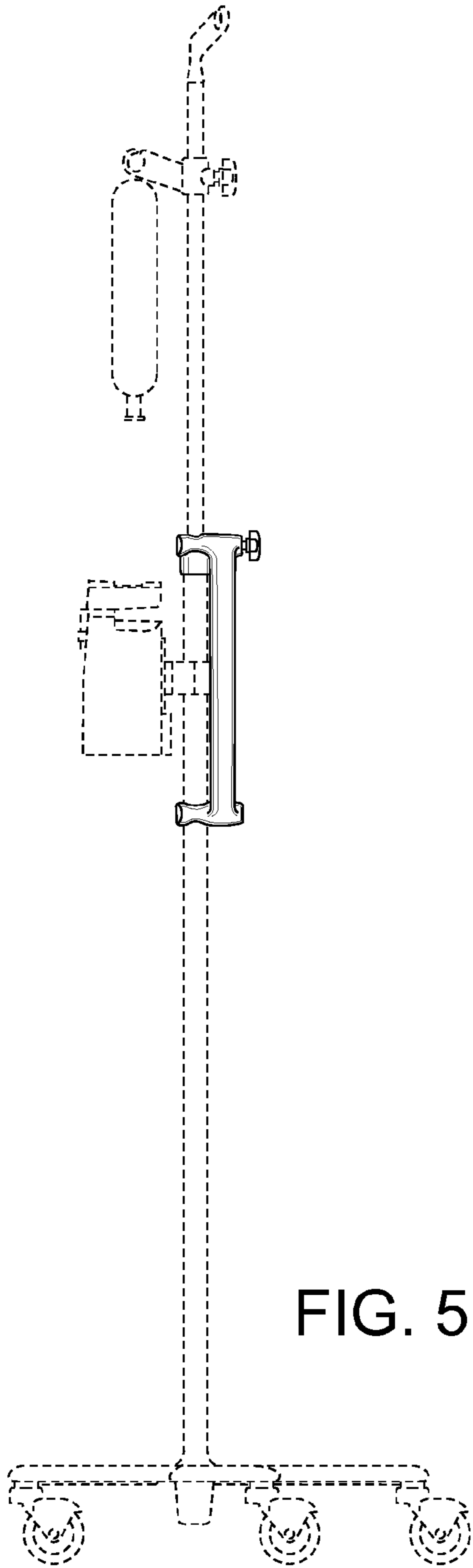


FIG. 5

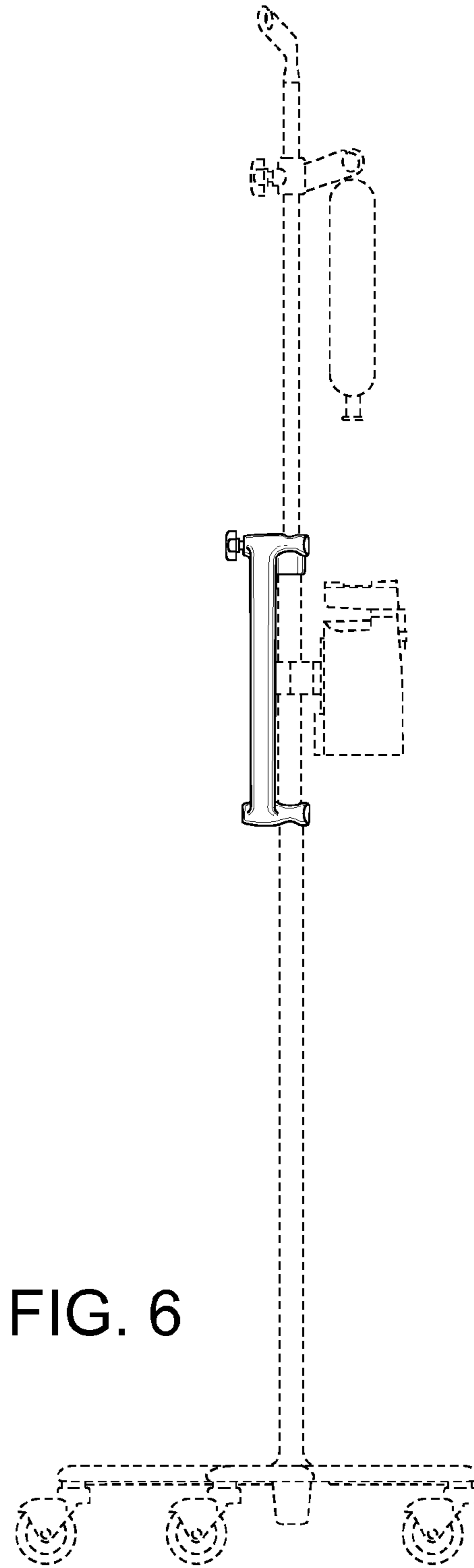


FIG. 6

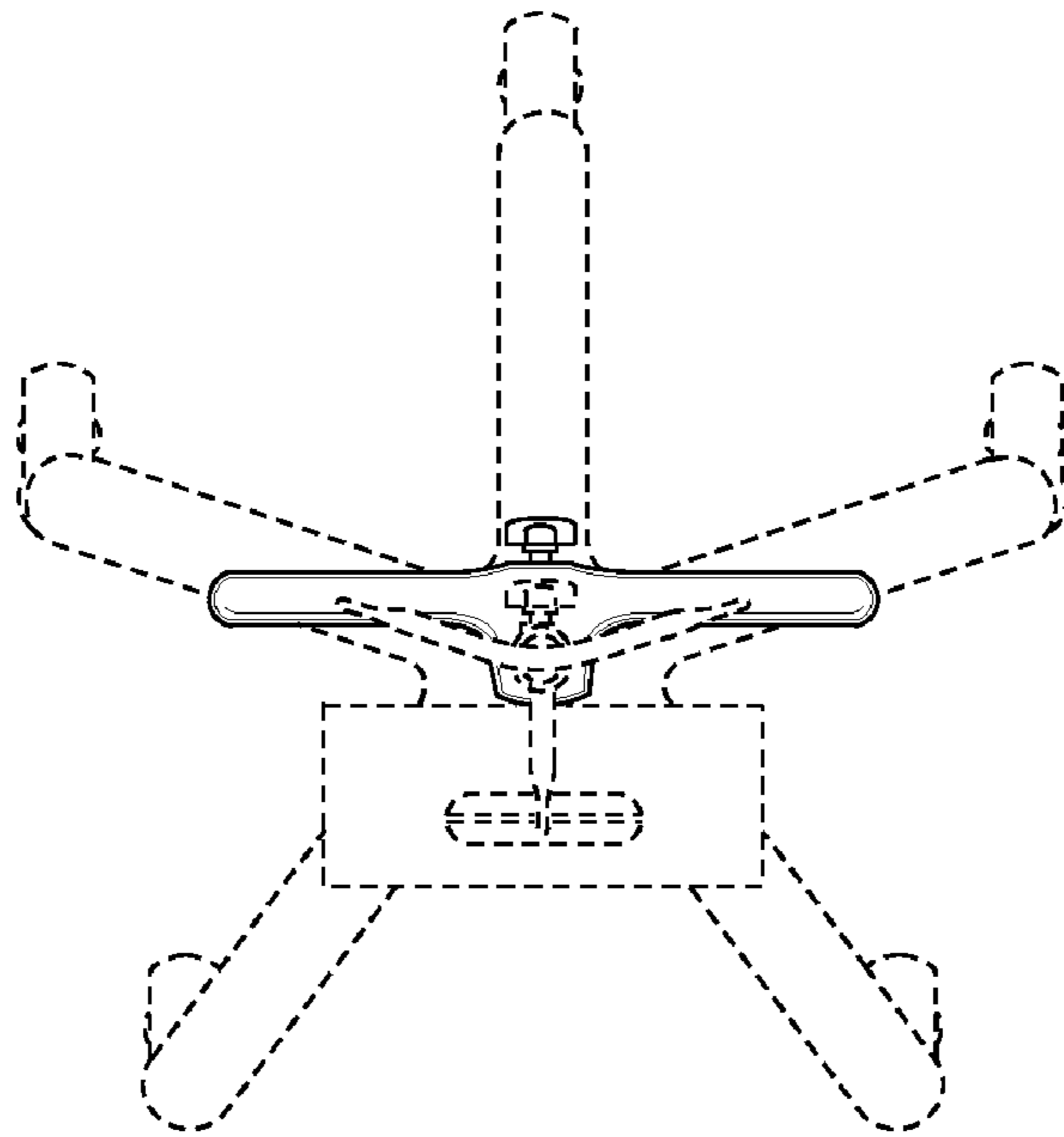


FIG. 7

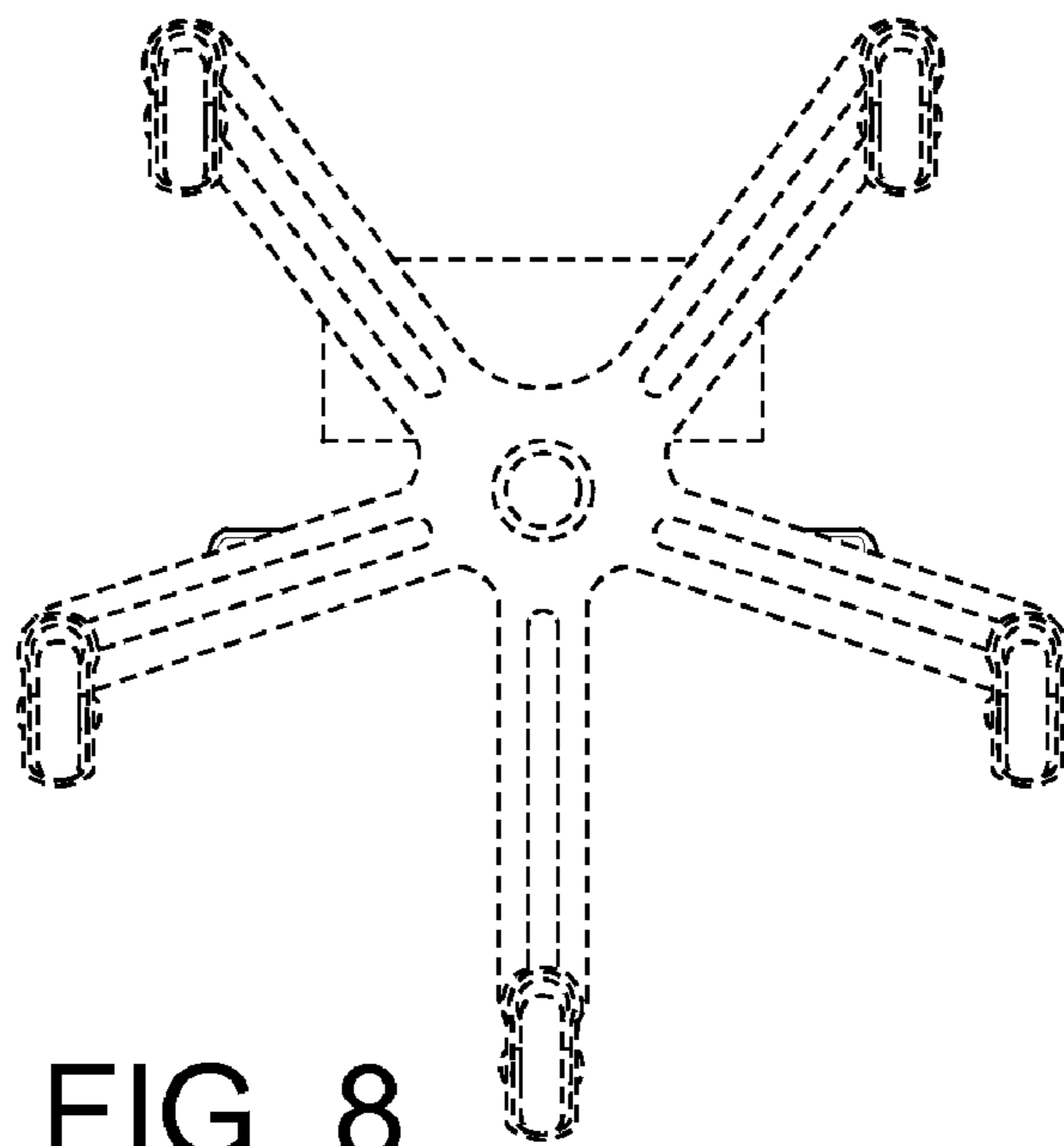


FIG. 8