



US00D635662S

(12) **United States Design Patent**
Waller

(10) **Patent No.:** **US D635,662 S**

(45) **Date of Patent:** **** Apr. 5, 2011**

(54) **BEDSIDE URINAL**

(76) Inventor: **Larry Waller**, Flossmoor, IL (US)

(**) Term: **14 Years**

(21) Appl. No.: **29/315,055**

(22) Filed: **May 21, 2009**

(51) **LOC (9) Cl.** **24-04**

(52) **U.S. Cl.** **D24/122**

(58) **Field of Classification Search** D24/121-126,
D24/117, 224; D23/274, 302, 295, 309,
D23/200; 4/144.1-144.4, 459, 460; 604/329,
604/317, 318, 334; 600/573, 574; D11/4,
D11/26, 40, 131, 143; D26/22, 93

See application file for complete search history.

(56) **References Cited**

U.S. PATENT DOCUMENTS

4,117,845	A	10/1978	Brown	
4,121,306	A	10/1978	Bringman et al.	
4,359,786	A	11/1982	Rosberg et al.	
D285,501	S *	9/1986	Kirk	D11/40
D285,543	S *	9/1986	Moser	D11/4
D357,979	S	5/1995	Evans et al.	
5,551,097	A	9/1996	Short	
D383,410	S *	9/1997	Roemer	D11/26
D404,333	S *	1/1999	Perrin et al.	D11/26
6,026,519	A	2/2000	Kaluza	
D431,792	S *	10/2000	Ferreira	D11/26
D482,446	S *	11/2003	Rainville-Lonn et al.	D24/125

D488,226	S *	4/2004	MacDonald et al.	D24/122
D499,660	S *	12/2004	Noel	D11/26
D523,371	S *	6/2006	Bulgari	D11/26
D536,275	S *	2/2007	Allin	D11/26
D551,587	S *	9/2007	McKenzie	D11/26
D560,134	S *	1/2008	Chen	D11/4
D607,364	S *	1/2010	Marks	D11/40
2003/0140409	A1	7/2003	Johnson	

* cited by examiner

Primary Examiner — David G Muller

(74) *Attorney, Agent, or Firm* — McCracken & Frank LLP

(57) **CLAIM**

The ornamental design for a bedside urinal, as shown and described.

DESCRIPTION

FIG. 1 is an isometric view of an ornamental design for a bedside urinal;

FIG. 2 is an elevational view of a first side of the bedside urinal of FIG. 1;

FIG. 3 is an elevational view of a second side of the bedside urinal of FIG. 1;

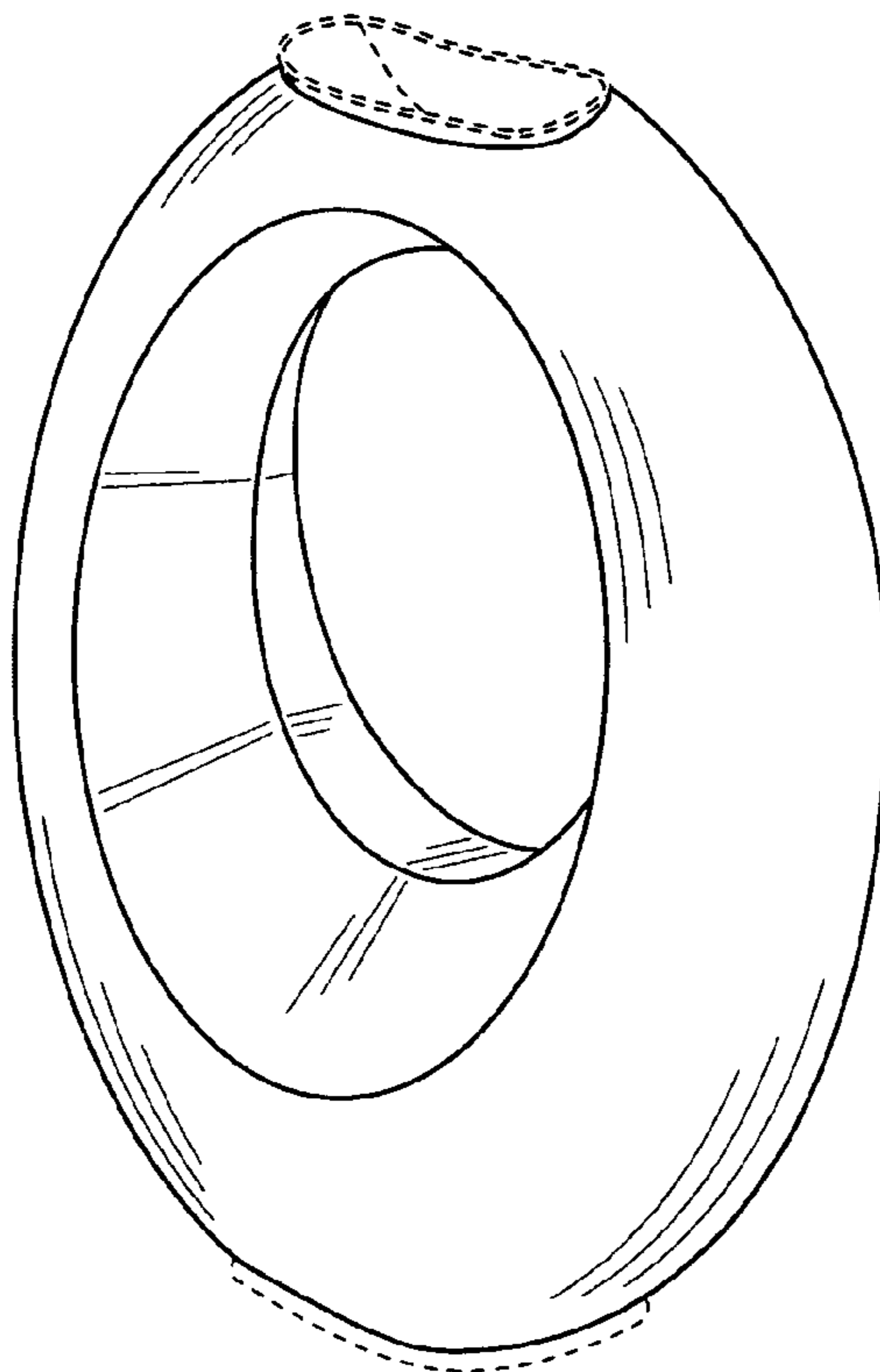
FIG. 4 is a front elevational view of the bedside urinal of FIG. 1;

FIG. 5 is a rear elevational view of the bedside urinal of FIG. 1.

FIG. 6 is a top plan view of the bedside urinal of FIG. 1; and,

FIG. 7 is a bottom plan view of the bedside urinal of FIG. 1. The broken lines depict portions of the bedside urinal that form no part of the claimed design.

1 Claim, 3 Drawing Sheets



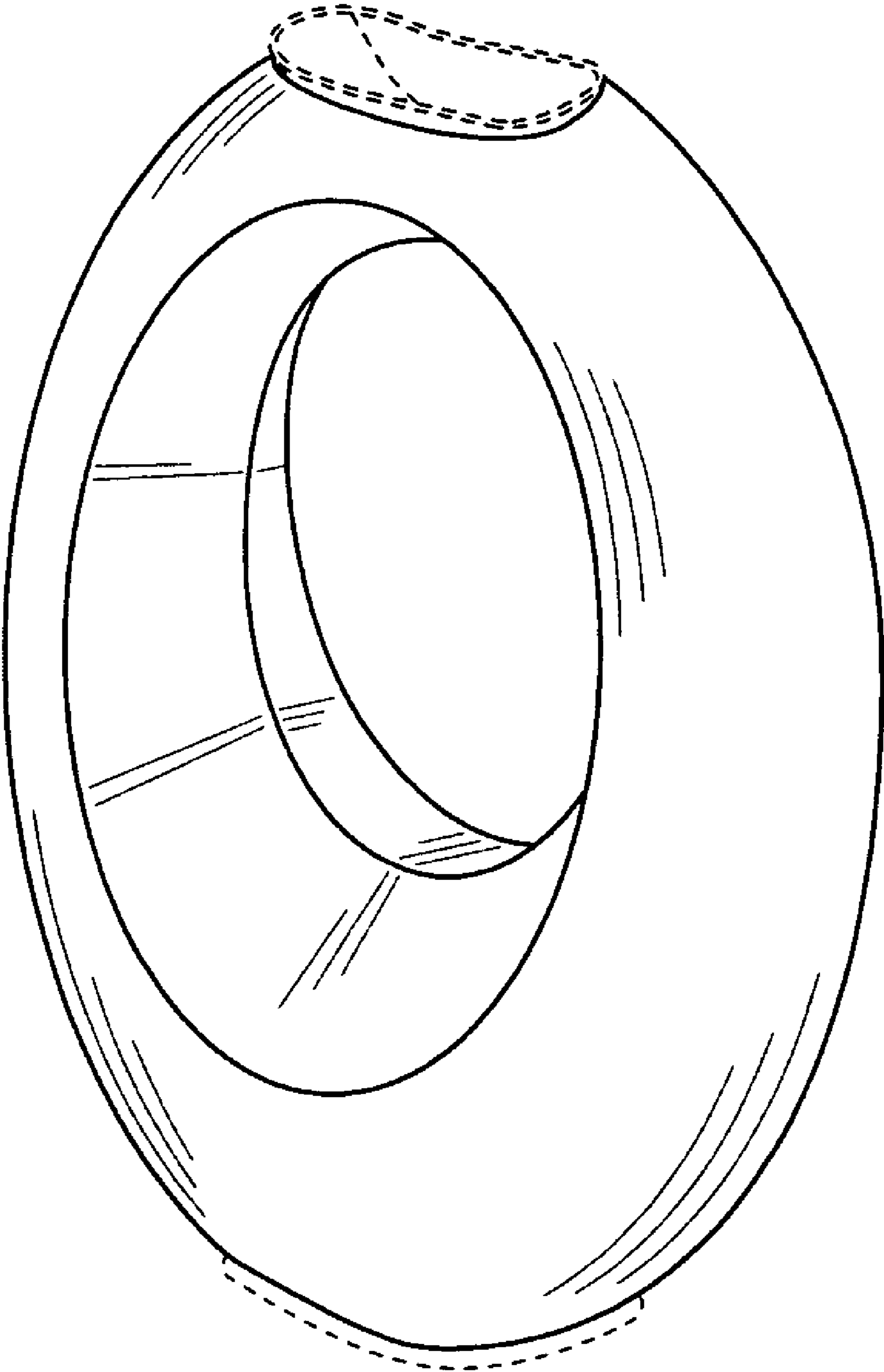


FIG. 1

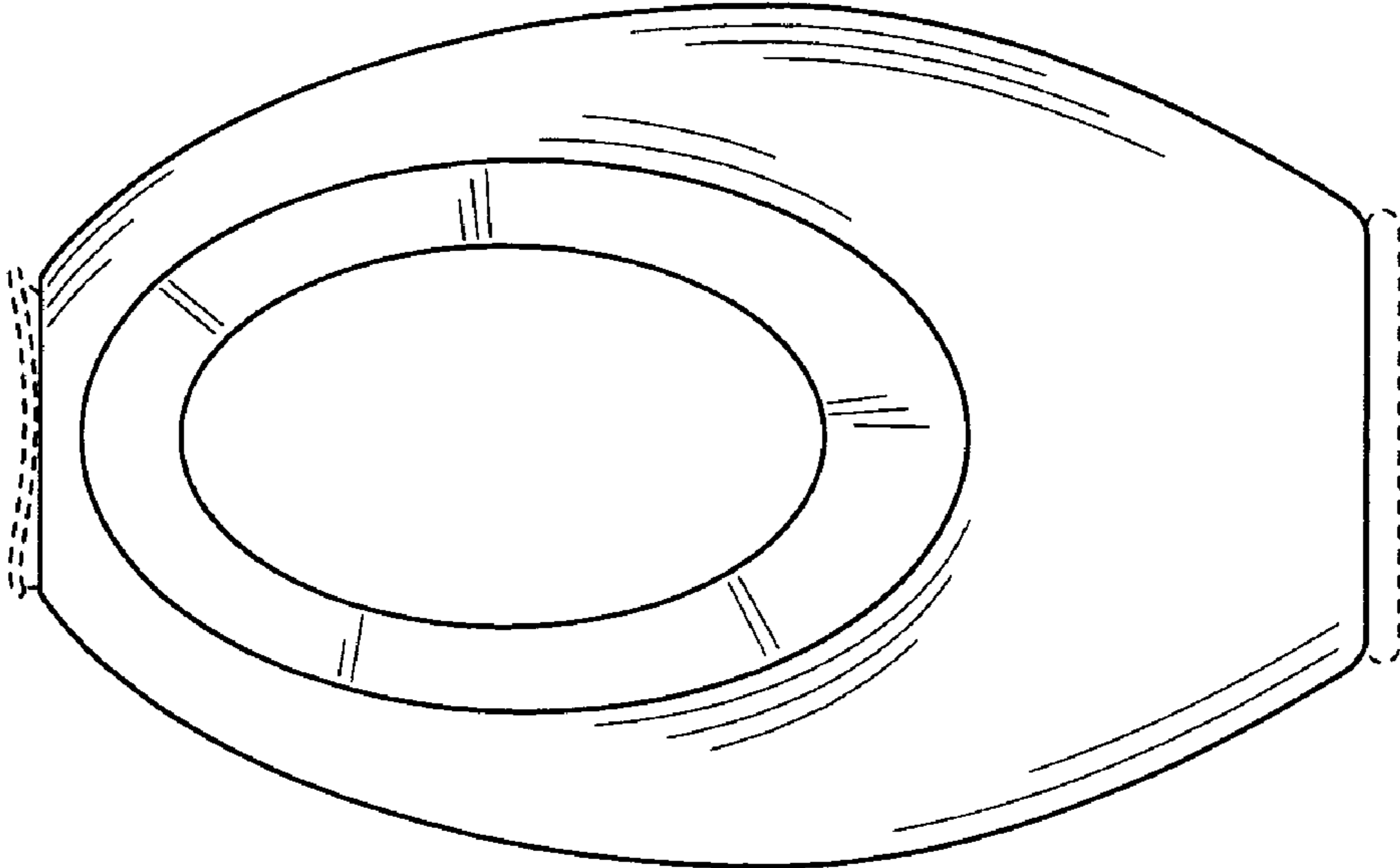


FIG. 3

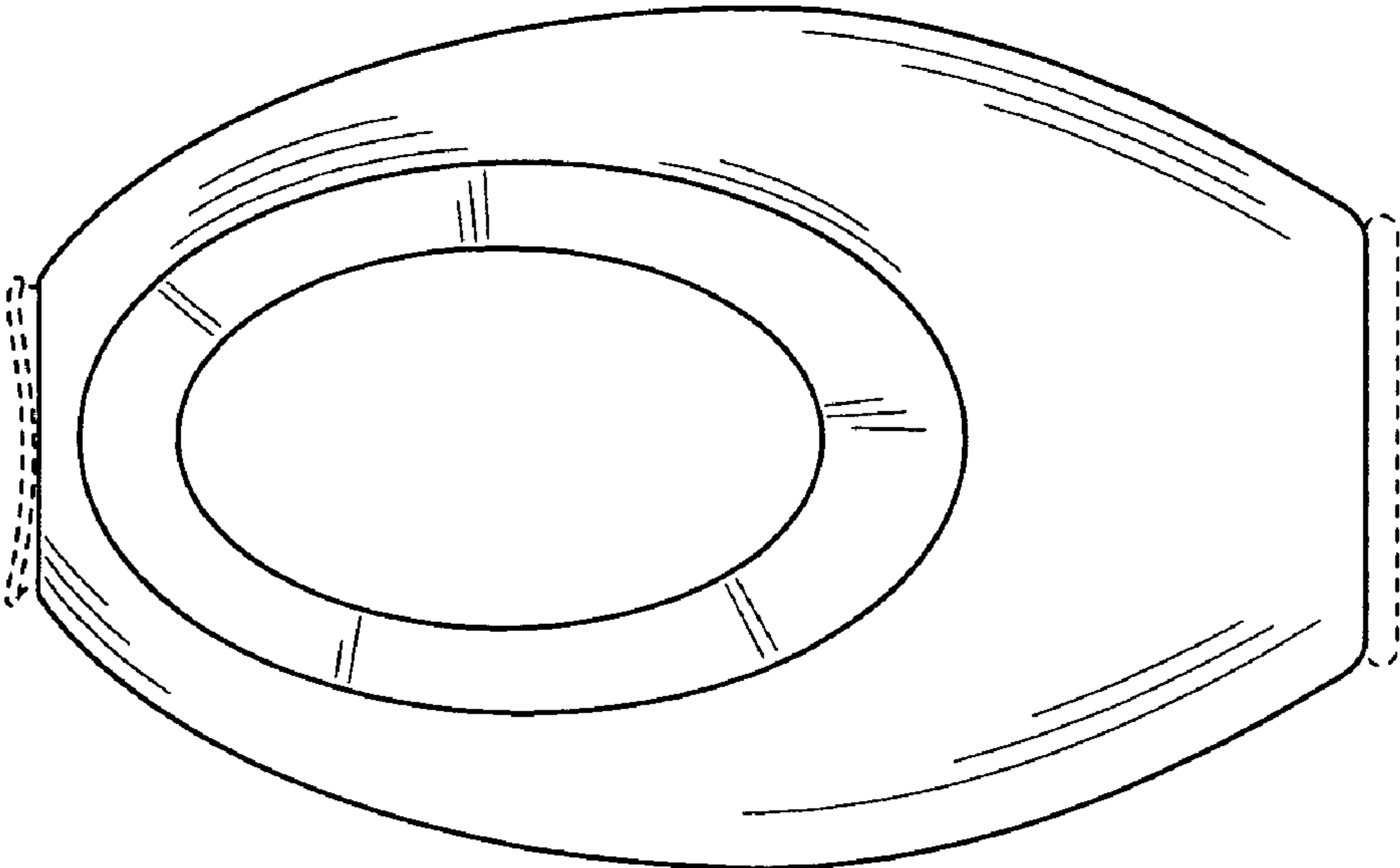


FIG. 2

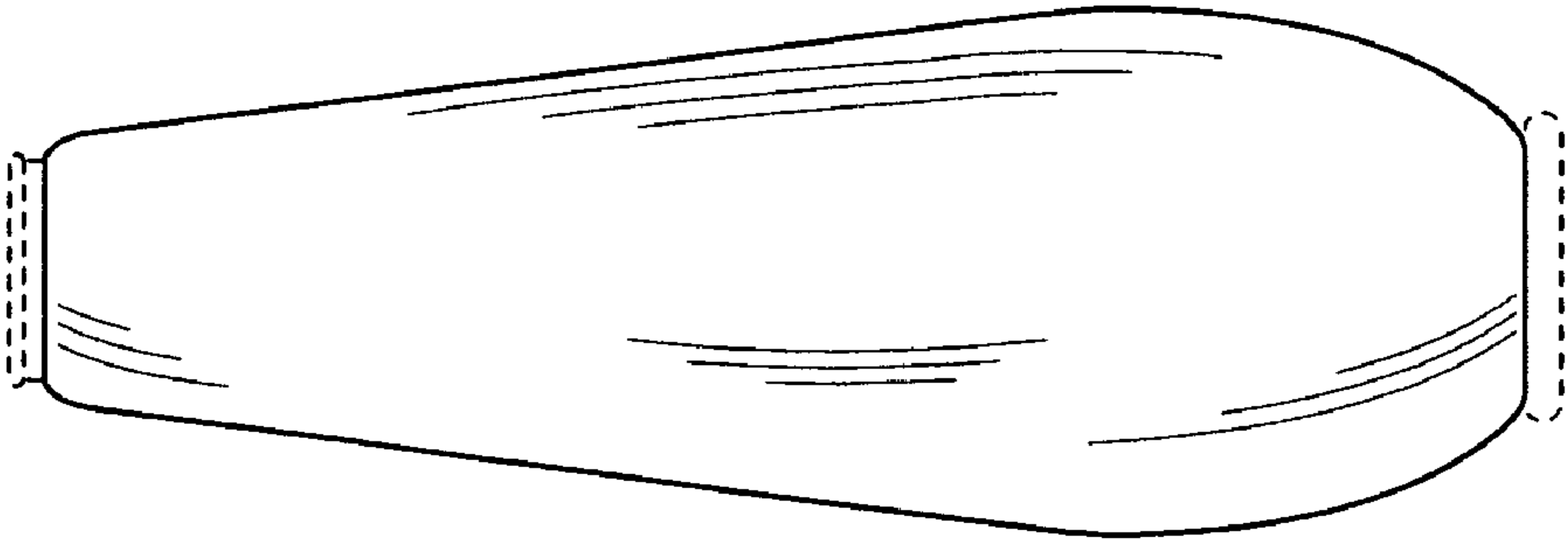


FIG. 4

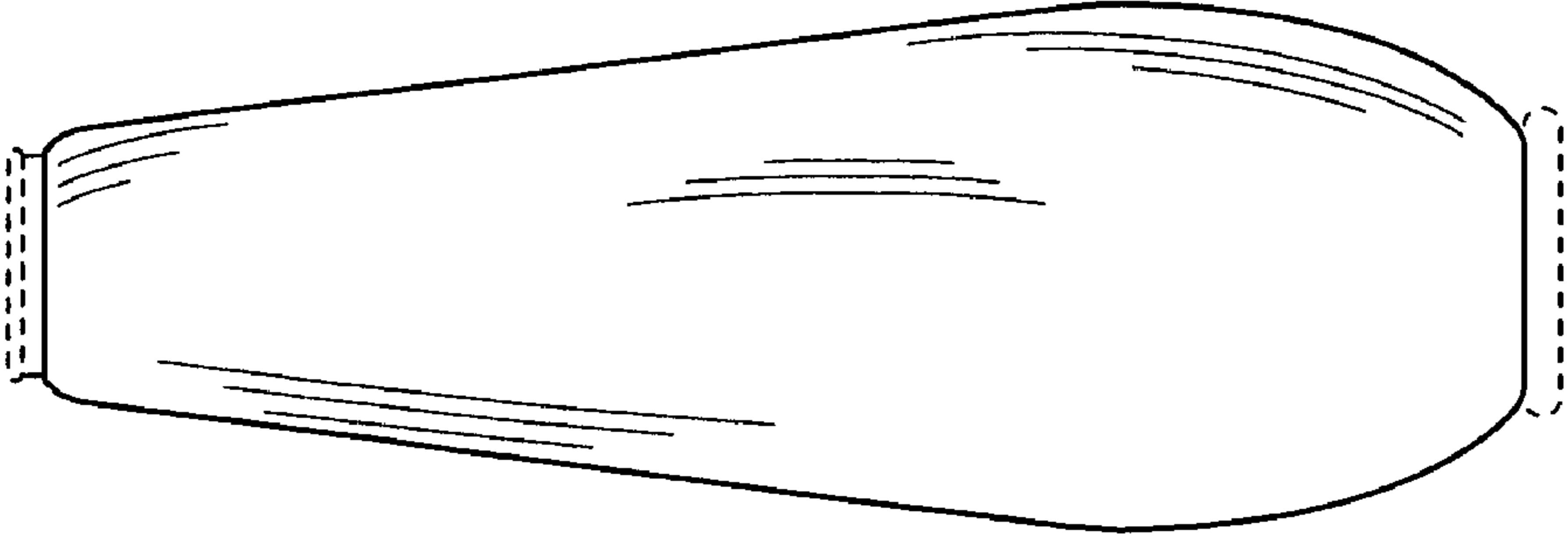


FIG. 5

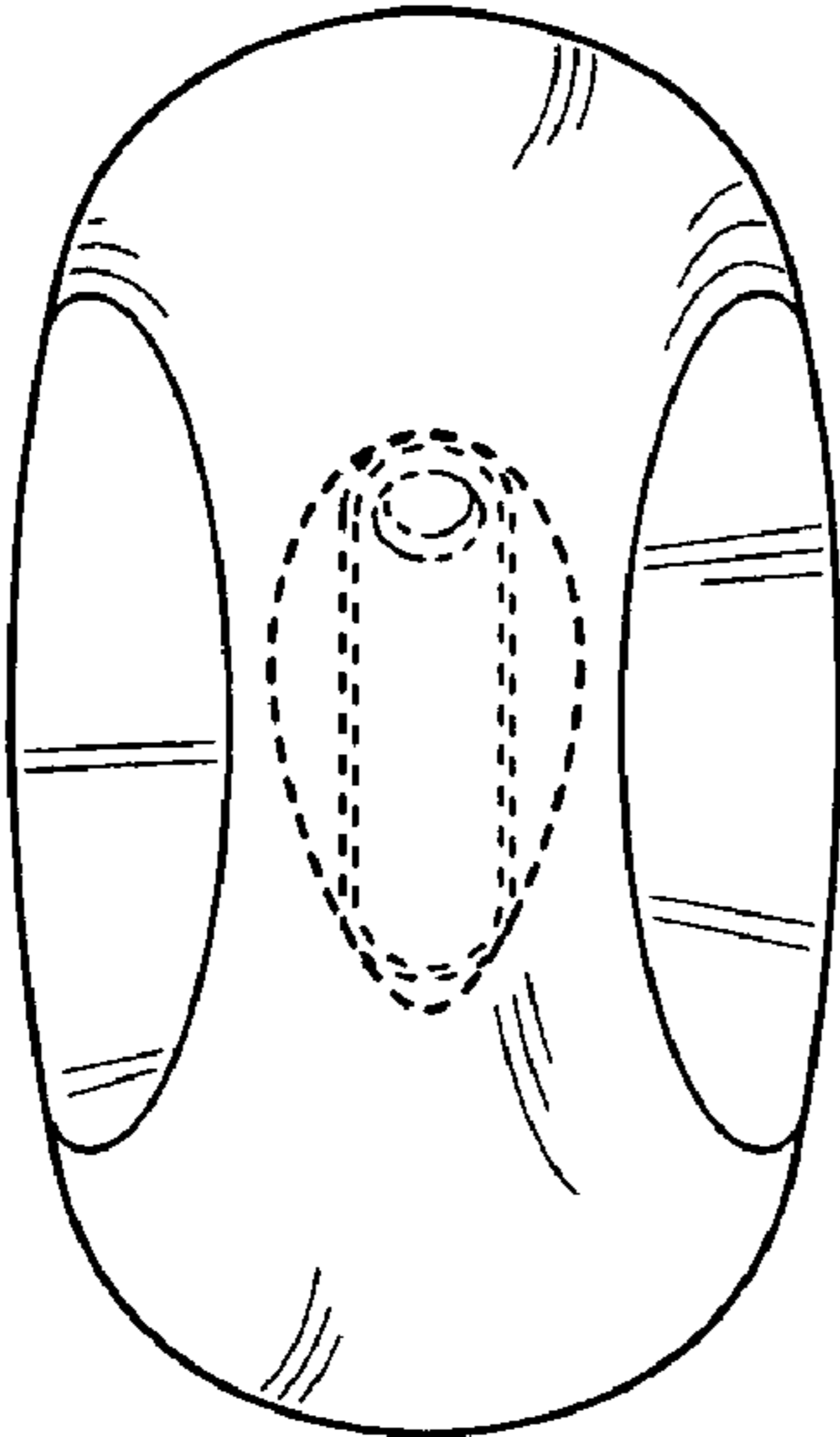


FIG. 6

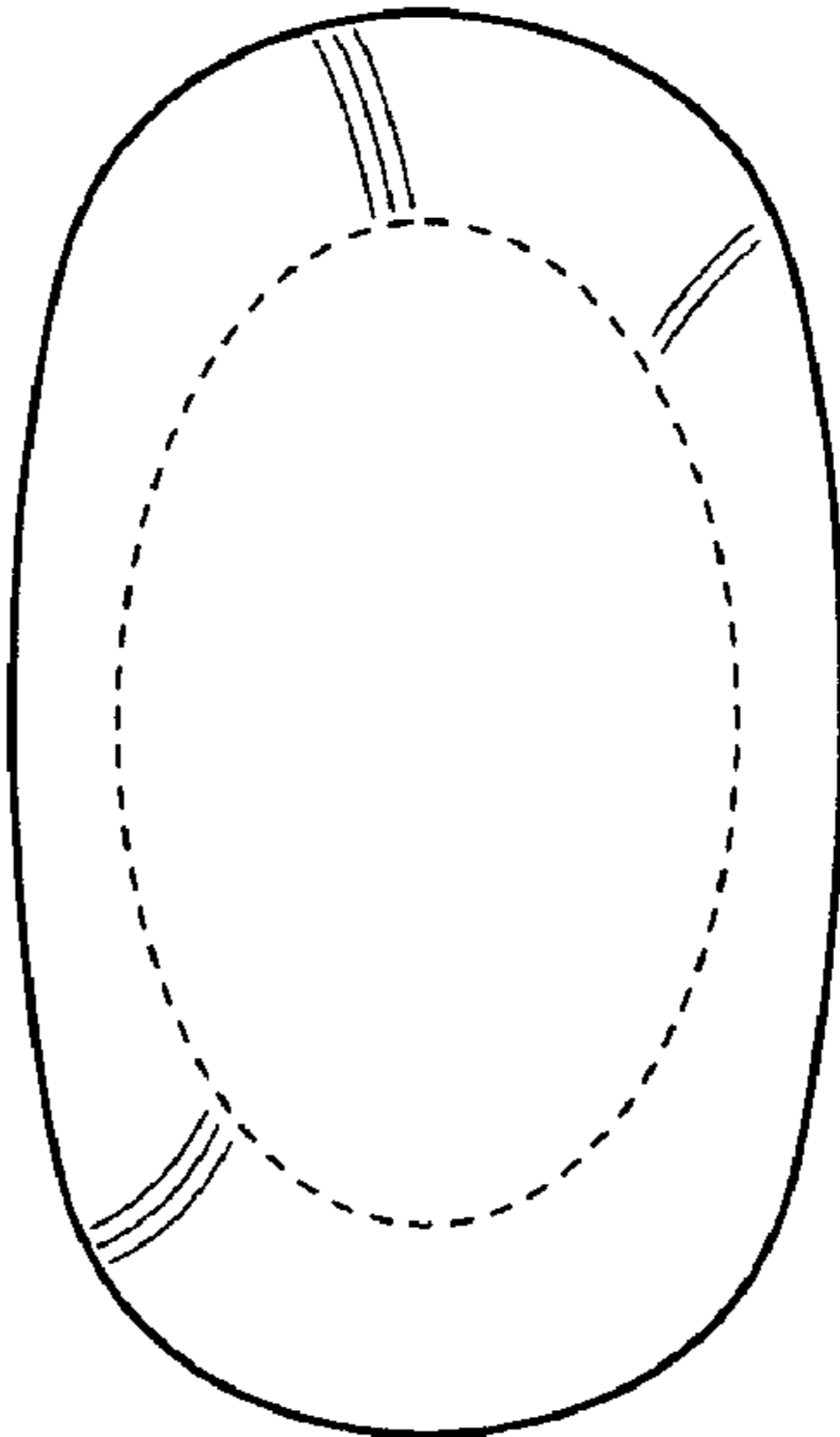


FIG. 7