



US00D635658S

(12) **United States Design Patent**
Warby et al.

(10) **Patent No.:** **US D635,658 S**

(45) **Date of Patent:** **** Apr. 5, 2011**

(54) **INHALER HOUSING**

(75) Inventors: **Richard Warby**, Wisbech (GB); **Paul Allsop**, King's Lynn (GB)

(73) Assignee: **Consort Medical PLC** (GB)

(**) Term: **14 Years**

(21) Appl. No.: **29/351,732**

(22) Filed: **Dec. 10, 2009**

(30) **Foreign Application Priority Data**

Jun. 15, 2009	(EM)	001146849-0001
Jun. 15, 2009	(EM)	001146849-0002
Jun. 15, 2009	(EM)	001146849-0003
Jun. 15, 2009	(EM)	001146849-0004

(51) **LOC (9) Cl.** **24-01**

(52) **U.S. Cl.** **D24/110**

(58) **Field of Classification Search** D24/108-110.5,
D24/112-114; 128/200.14-200.23, 203.12-203.24;
222/162, 402.2, 23, 36
See application file for complete search history.

(56) **References Cited**

U.S. PATENT DOCUMENTS

3,151,618	A *	10/1964	Wakeman	128/200.23
3,191,867	A *	6/1965	Lee	239/288.5
3,927,806	A *	12/1975	Meshberg	222/402.12
4,114,811	A *	9/1978	Loeffler	239/288.5
4,790,305	A *	12/1988	Zoltan et al.	128/200.23

5,505,194	A *	4/1996	Adjei et al.	128/200.23
D413,825	S *	9/1999	Storsved	D10/96
D422,359	S *	4/2000	Fitch et al.	D24/137
7,131,440	B2 *	11/2006	Sonntag	128/203.12
D557,788	S *	12/2007	Eloranta	D23/386
D574,951	S *	8/2008	Reusch	D24/110
D579,104	S *	10/2008	Benzick et al.	D24/110
D583,046	S *	12/2008	Ku et al.	D24/110

* cited by examiner

Primary Examiner — Ian Simmons

Assistant Examiner — Charles D Hanson

(74) *Attorney, Agent, or Firm* — SAIDMAN DesignLaw Group

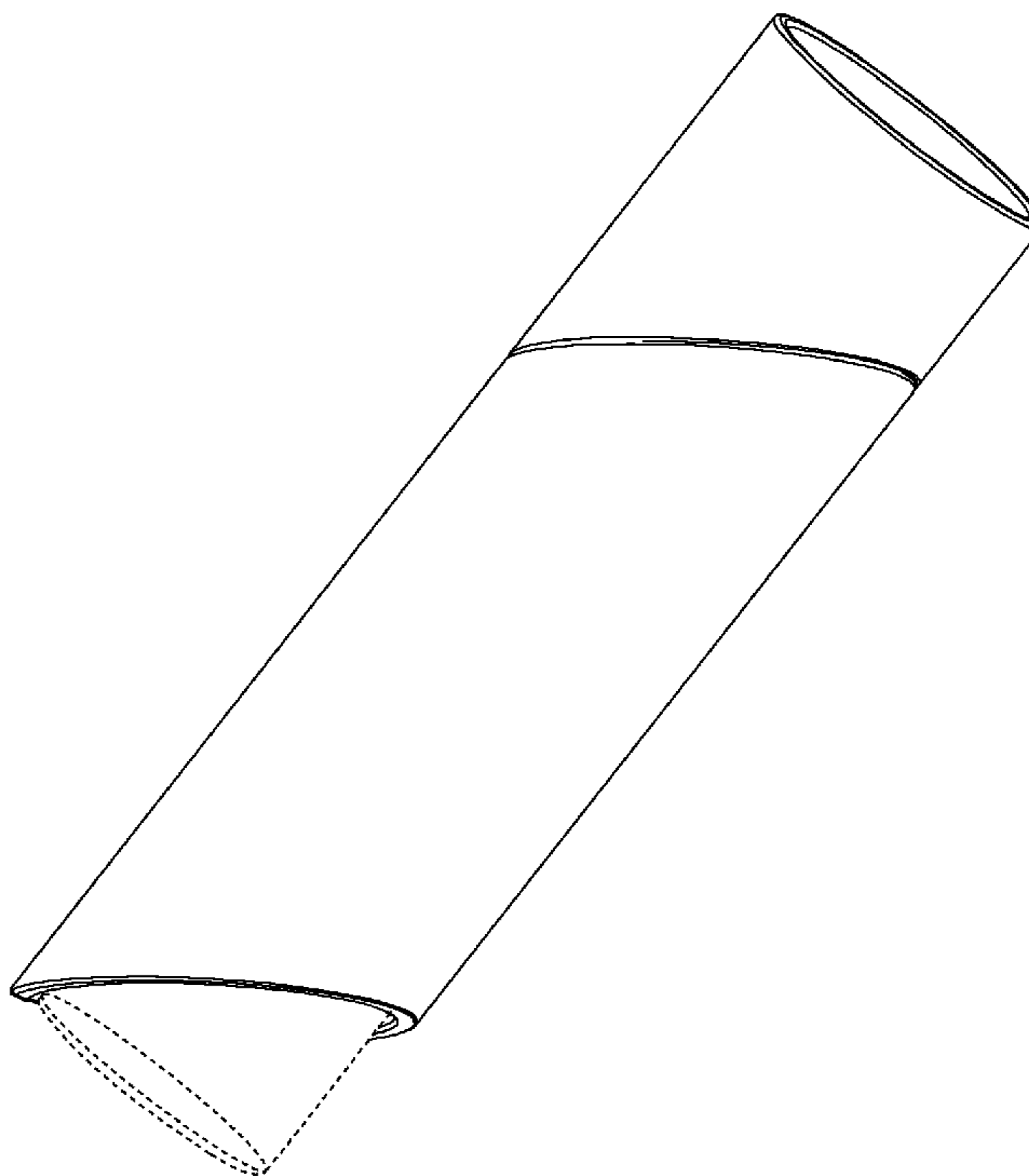
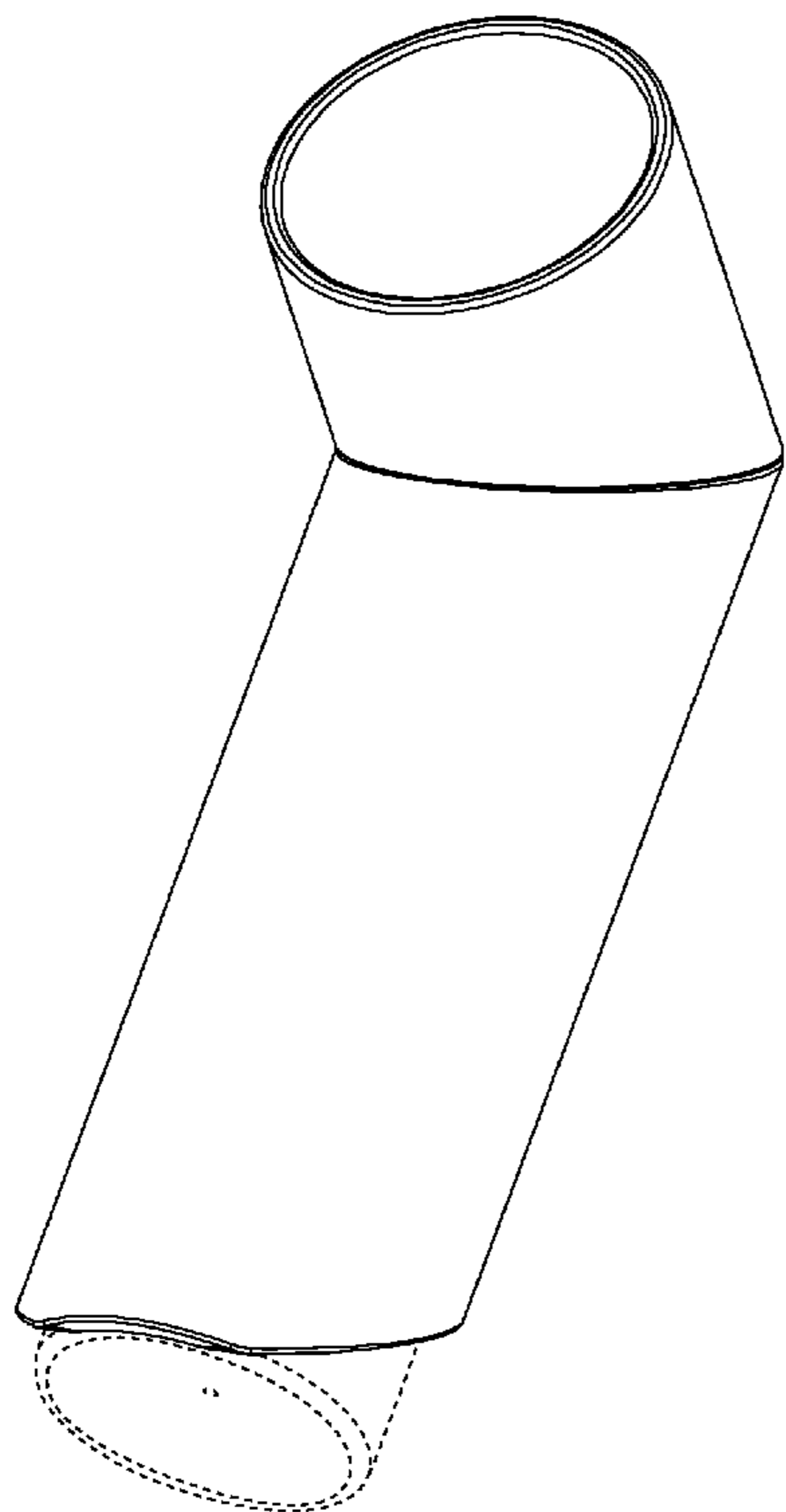
(57) **CLAIM**

The ornamental design for an inhaler housing, as shown and described.

DESCRIPTION

FIG. 1 is a first perspective view of an inhaler housing showing our new design;
FIG. 2 is a second perspective view thereof;
FIG. 3 is a third perspective view thereof;
FIG. 4 is an end perspective view thereof showing our design in a second position;
FIG. 5 is another perspective view thereof; and,
FIG. 6 is a further perspective view thereof.
The broken line showing of interior parts and a pressurized container is for the purpose of illustrating environmental structure and forms no part of the claimed design.

1 Claim, 4 Drawing Sheets



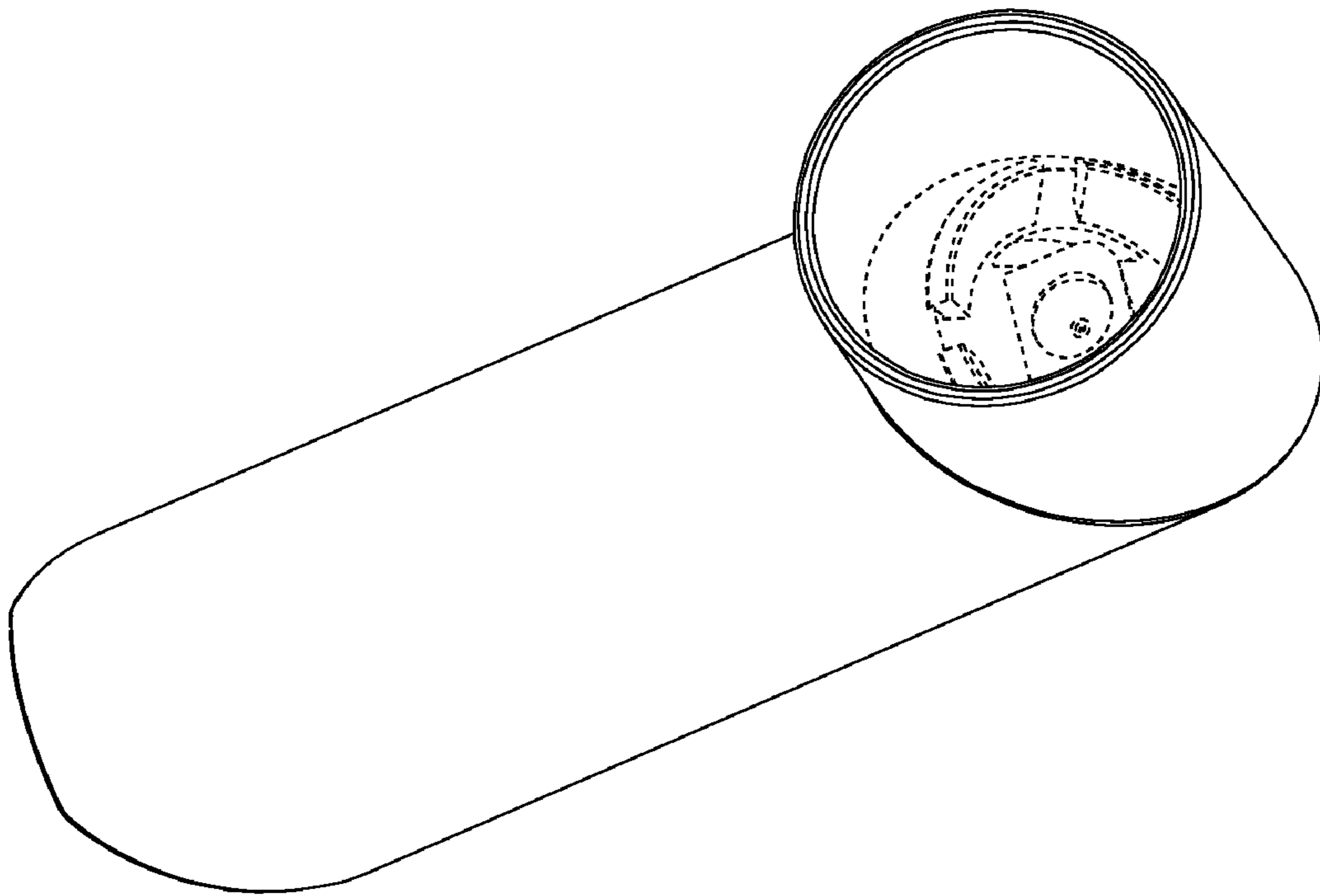


Fig. 1

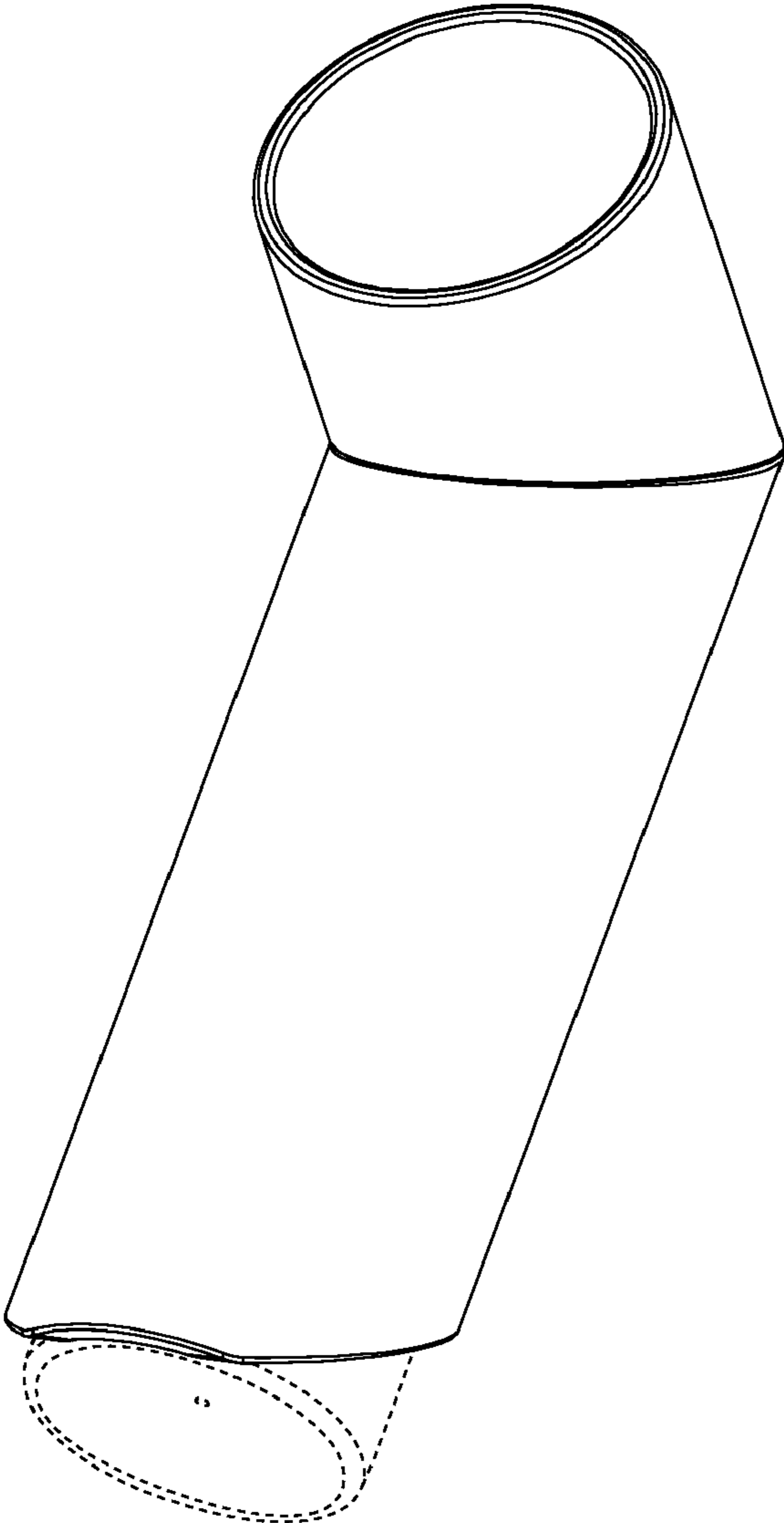


Fig. 2

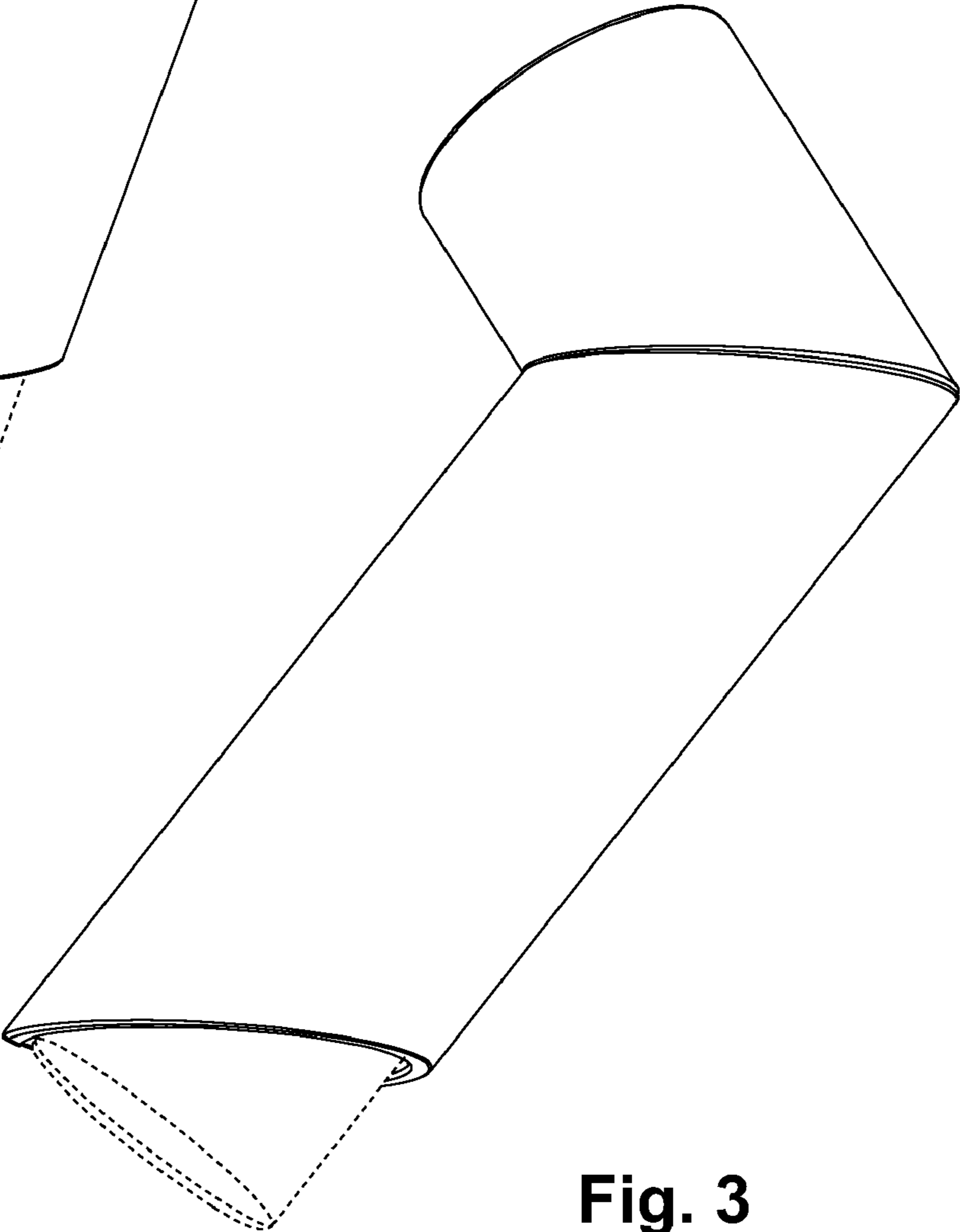


Fig. 3

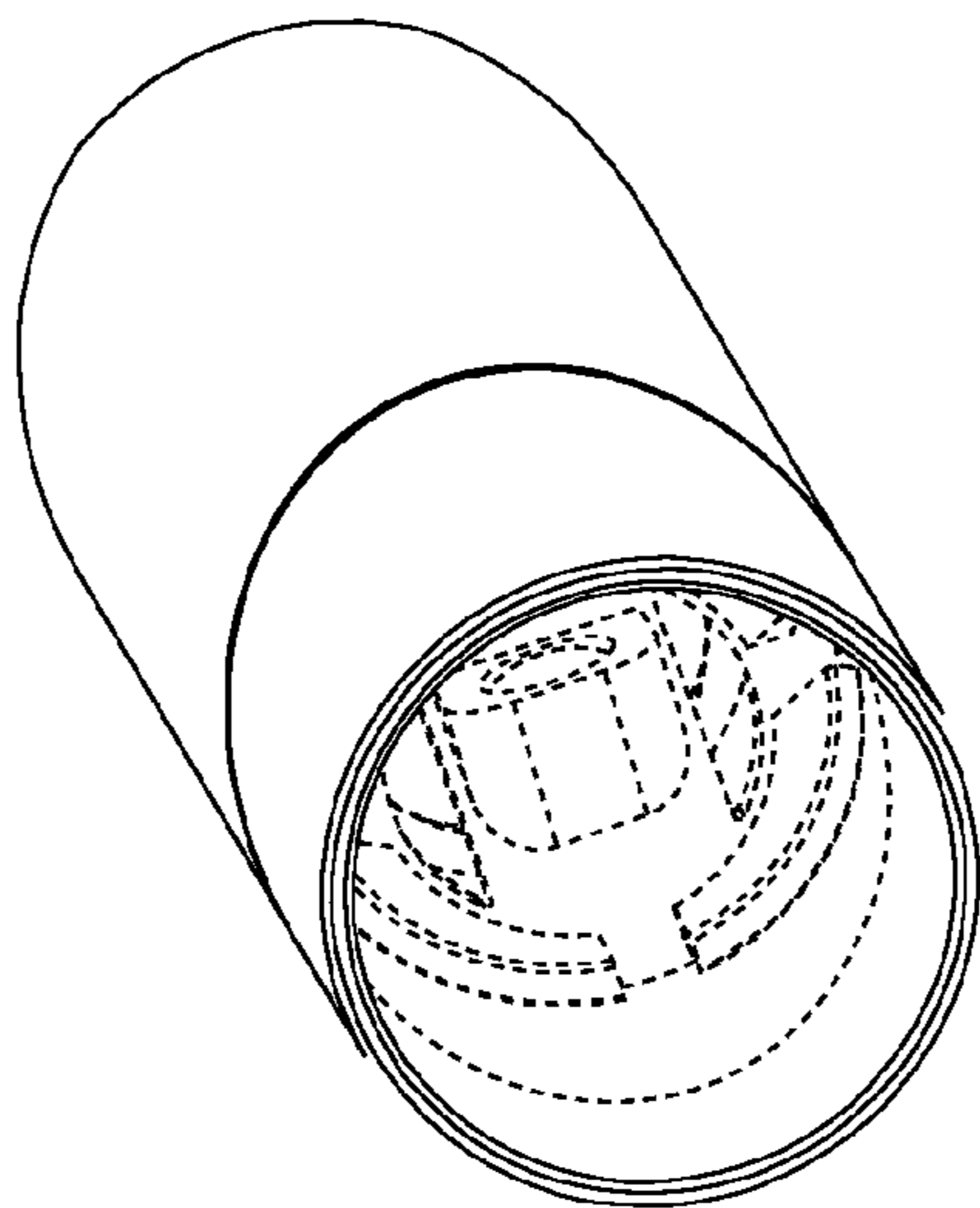


Fig. 4

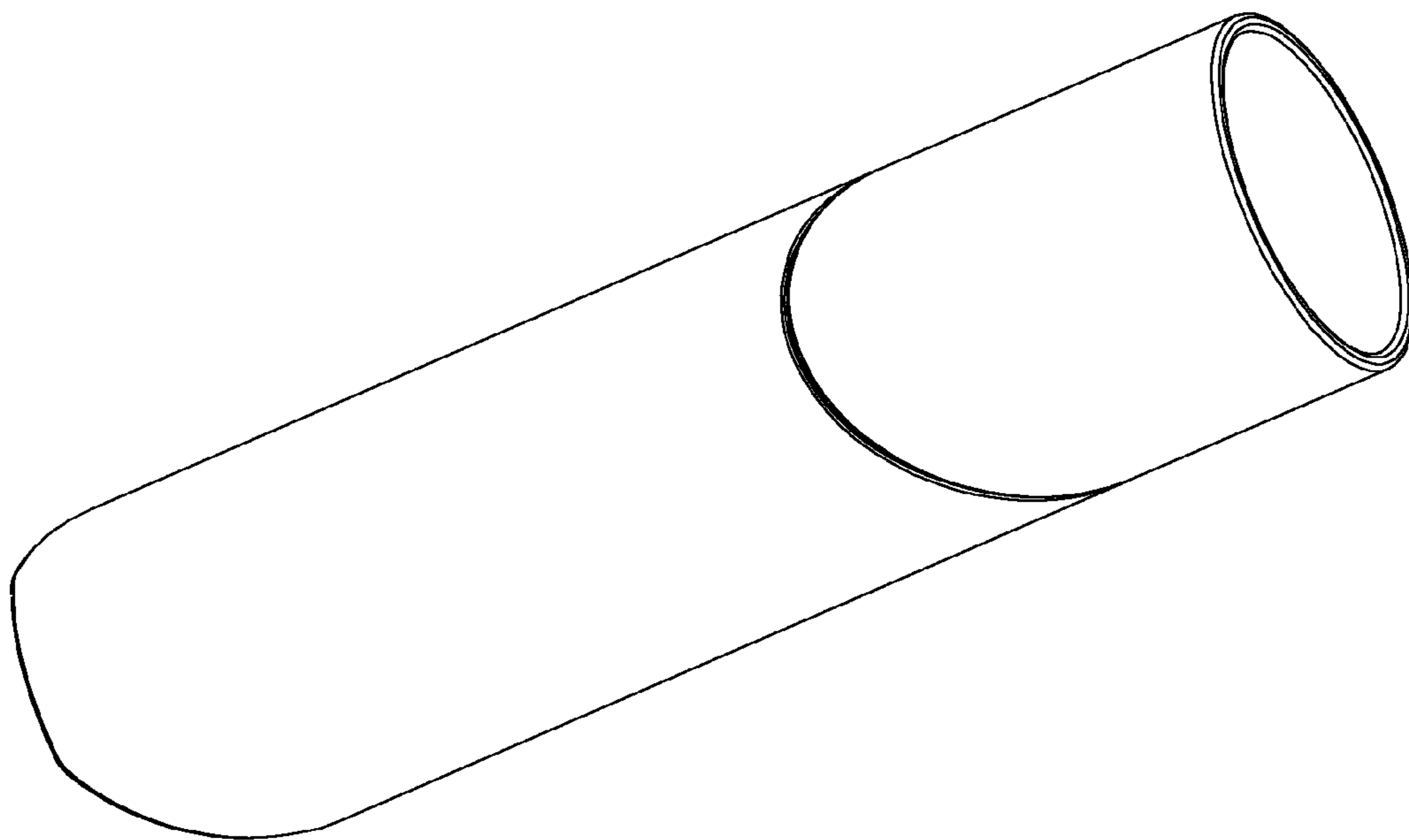


Fig. 5

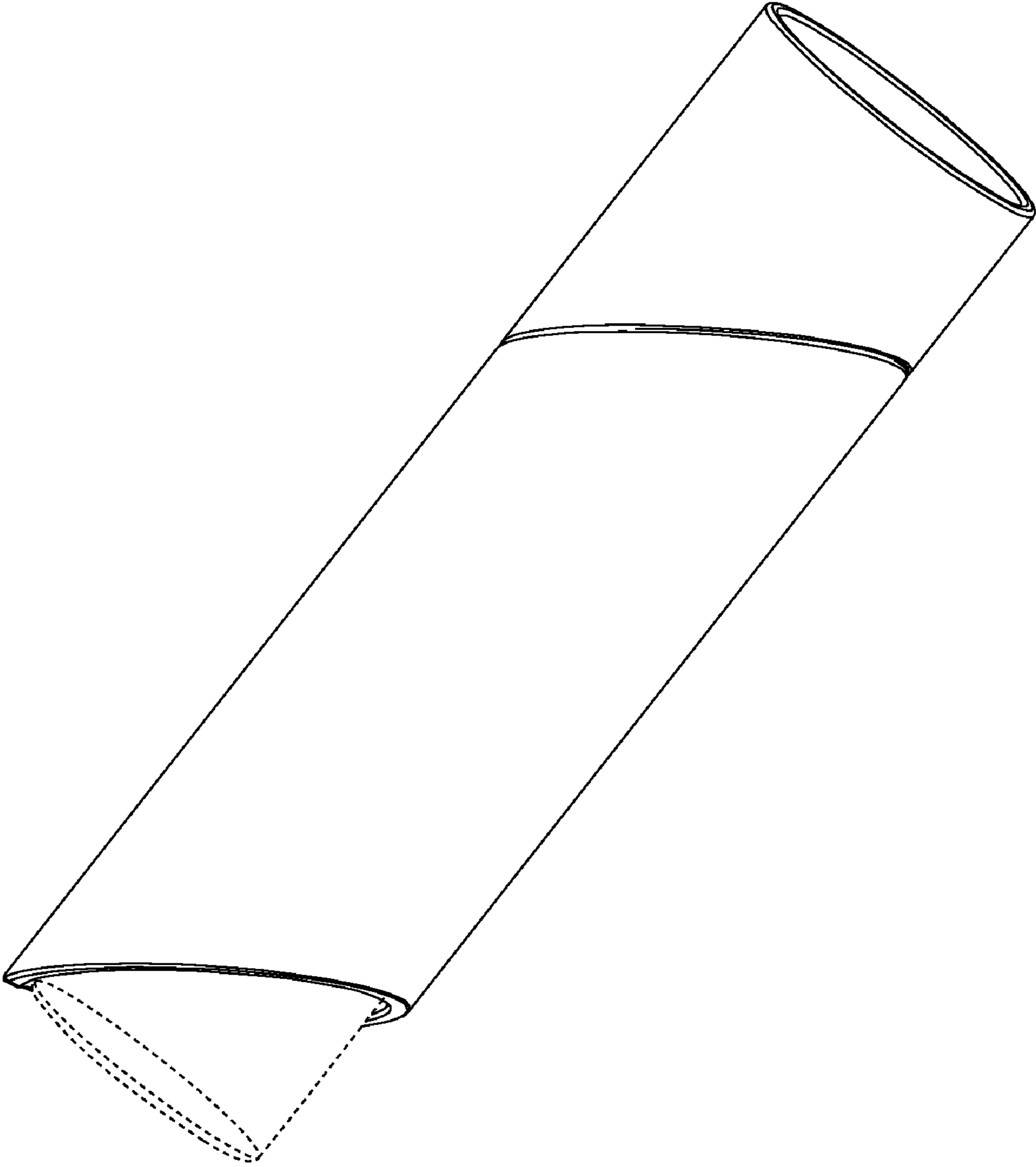


Fig. 6