



US00D635655S

(12) **United States Design Patent**
Chen et al.

(10) **Patent No.:** **US D635,655 S**

(45) **Date of Patent:** **** Apr. 5, 2011**

(54) **AIR PURIFIER**

(75) Inventors: **Tung-Hua Chen**, Taoyuan County (TW); **Kwok-Tung Yung**, Taoyuan County (TW)

(73) Assignee: **Tatung Company**, Taipei (TW)

(**) Term: **14 Years**

(21) Appl. No.: **29/367,246**

(22) Filed: **Aug. 5, 2010**

(30) **Foreign Application Priority Data**

May 26, 2010 (TW) 99302620

(51) **LOC (9) Cl.** **23-04**

(52) **U.S. Cl.** **D23/364**

(58) **Field of Classification Search** D23/364, D23/354-360, 366, 369, 332, 333, 335, 342, D23/351, 386; 422/120, 122; 55/356, 473, 55/504; 96/97; D14/188, 170, 172; 261/DIG. 17, 261/DIG. 65, DIG. 88, DIG. 31; D18/34.6
See application file for complete search history.

(56) **References Cited**

U.S. PATENT DOCUMENTS

D462,754 S * 9/2002 Briggs et al. D23/364
D572,357 S * 7/2008 Murai et al. D23/366
D595,826 S * 7/2009 Ohta D23/364
D597,188 S * 7/2009 Chen D23/364

D599,456 S * 9/2009 Choi D23/364
D605,745 S * 12/2009 Chun et al. D23/359
D606,184 S * 12/2009 Chiu D23/359
D607,552 S * 1/2010 Pattberg D23/366
D613,387 S * 4/2010 Satou D23/364
D613,391 S * 4/2010 Schwartz et al. D23/366
D616,081 S * 5/2010 Chiu D23/333
D621,019 S * 8/2010 Kim et al. D23/356
D624,169 S * 9/2010 Lee et al. D23/364

* cited by examiner

Primary Examiner — T. Chase Nelson

Assistant Examiner — David G Muller

(74) *Attorney, Agent, or Firm* — Jianq Chyun IP Office

(57) **CLAIM**

The ornamental design for an air purifier, as shown and described.

DESCRIPTION

FIG. 1 is a perspective view of an air purifier showing our new design;

FIG. 2 is a front view thereof;

FIG. 3 is a rear view thereof;

FIG. 4 is a left side view thereof;

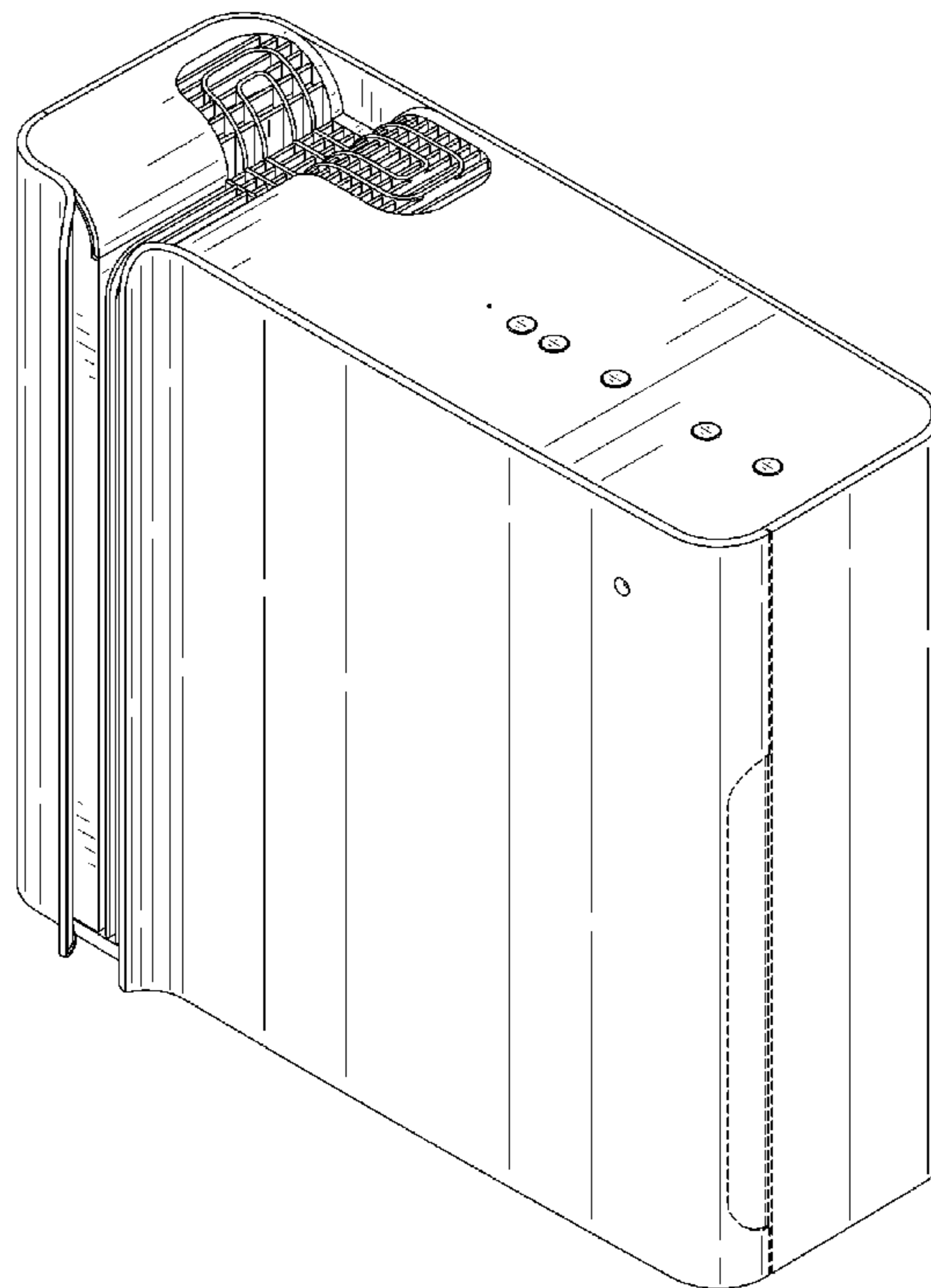
FIG. 5 is a right side view thereof;

FIG. 6 is a top view thereof; and,

FIG. 7 is a bottom view thereof.

The broken line showing of parts of the drawings is included for the purpose of illustrating use and environment and forms no part of the claimed design.

1 Claim, 6 Drawing Sheets



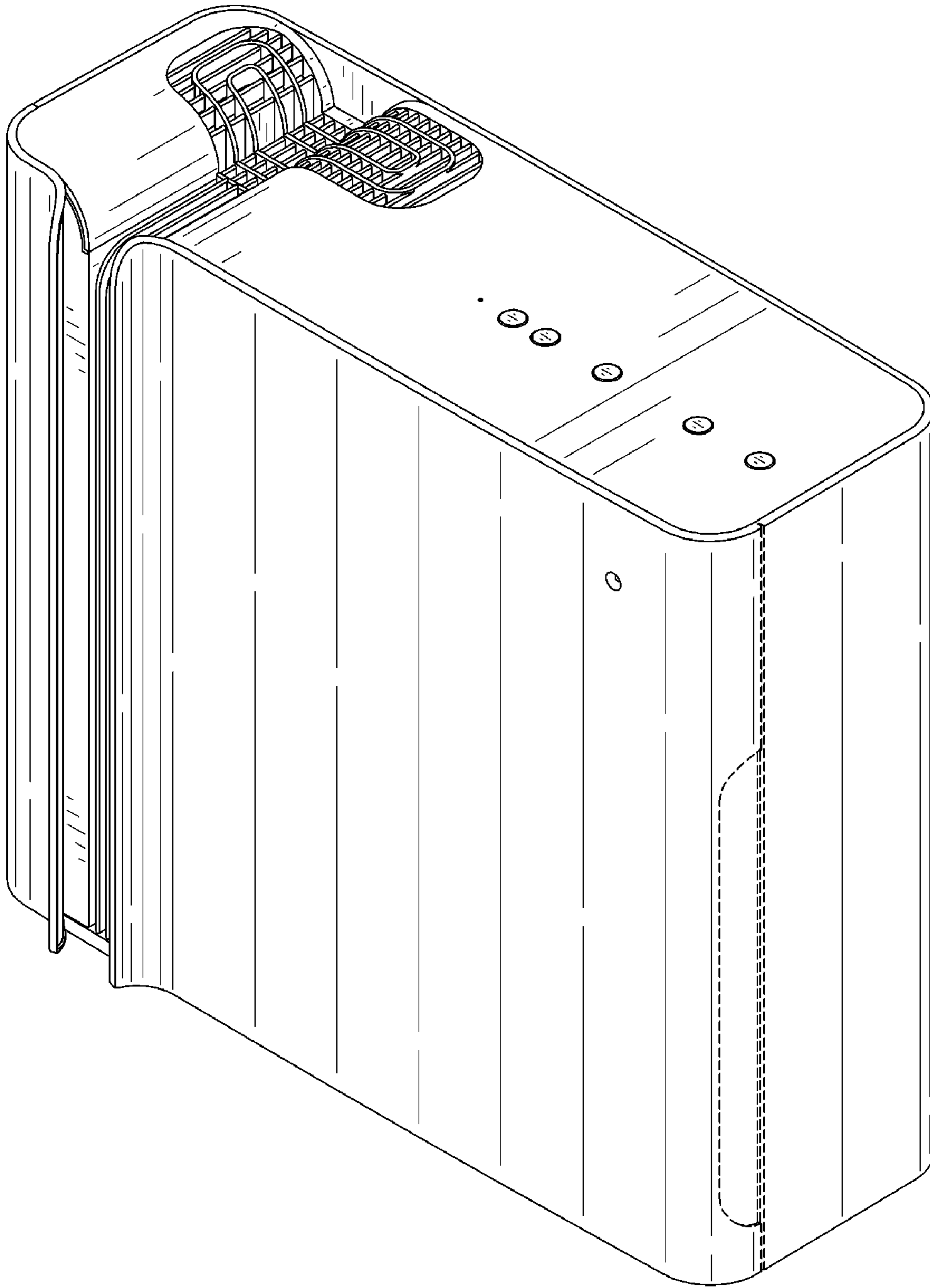


FIG. 1

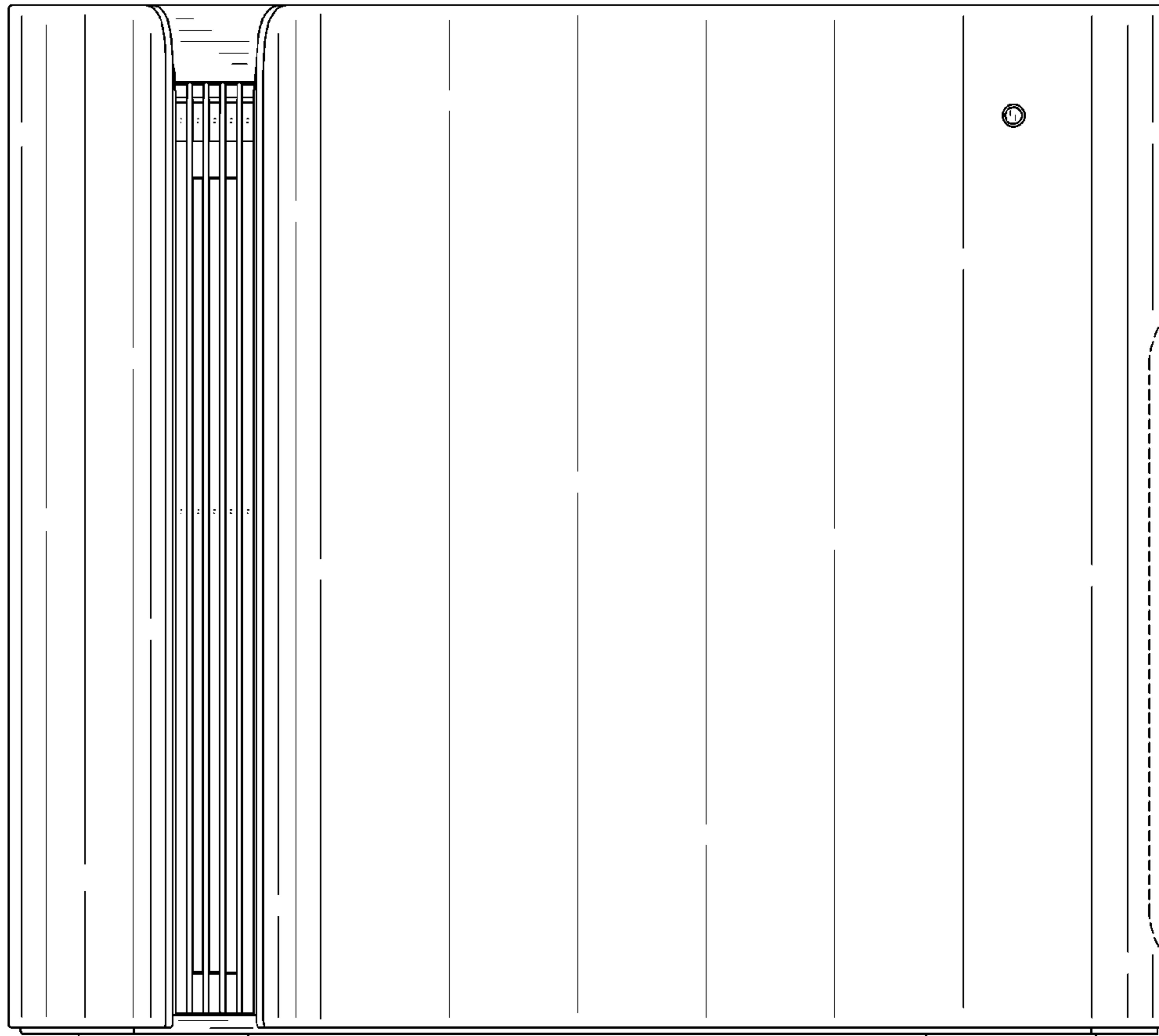


FIG. 2

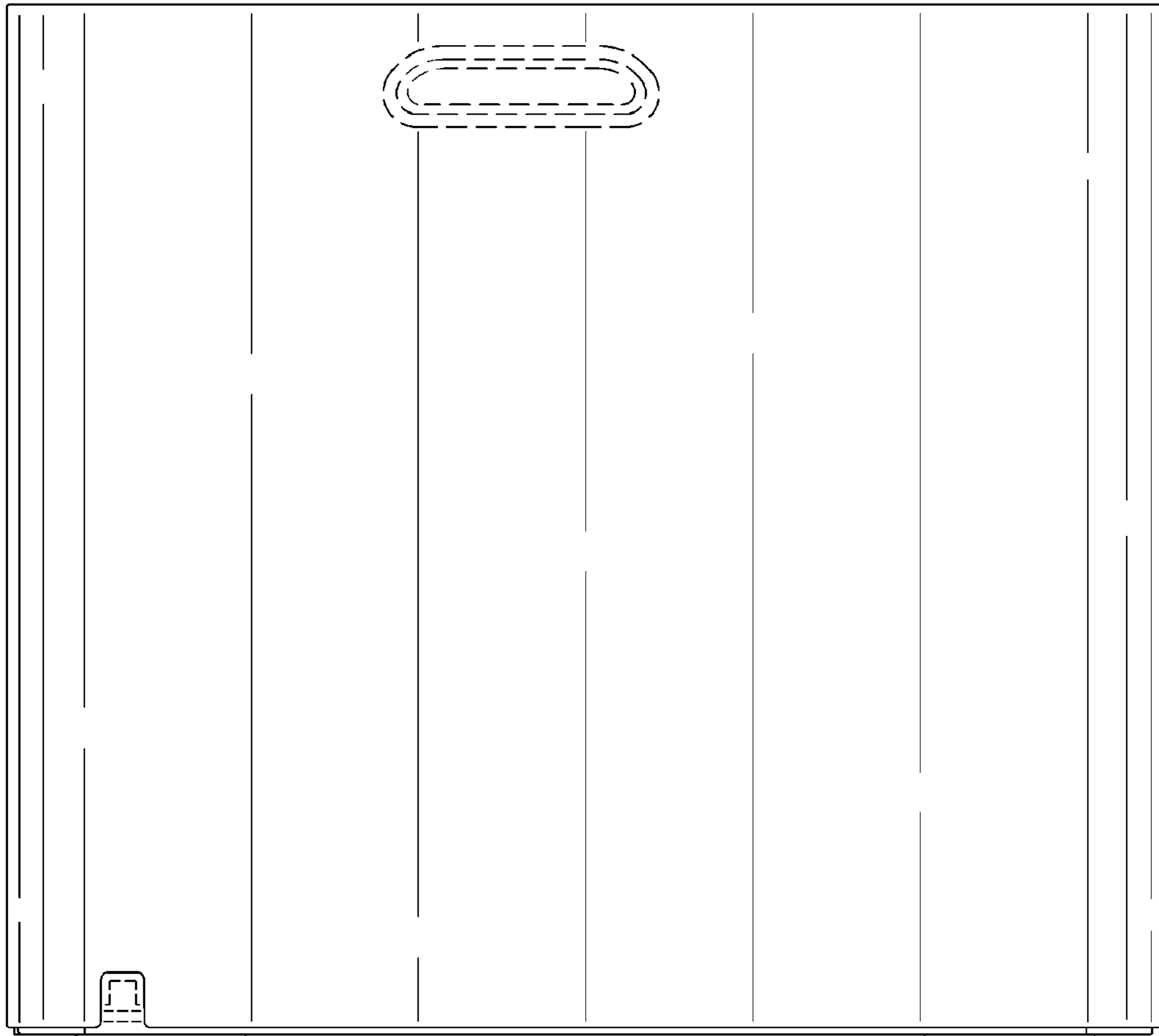


FIG. 3

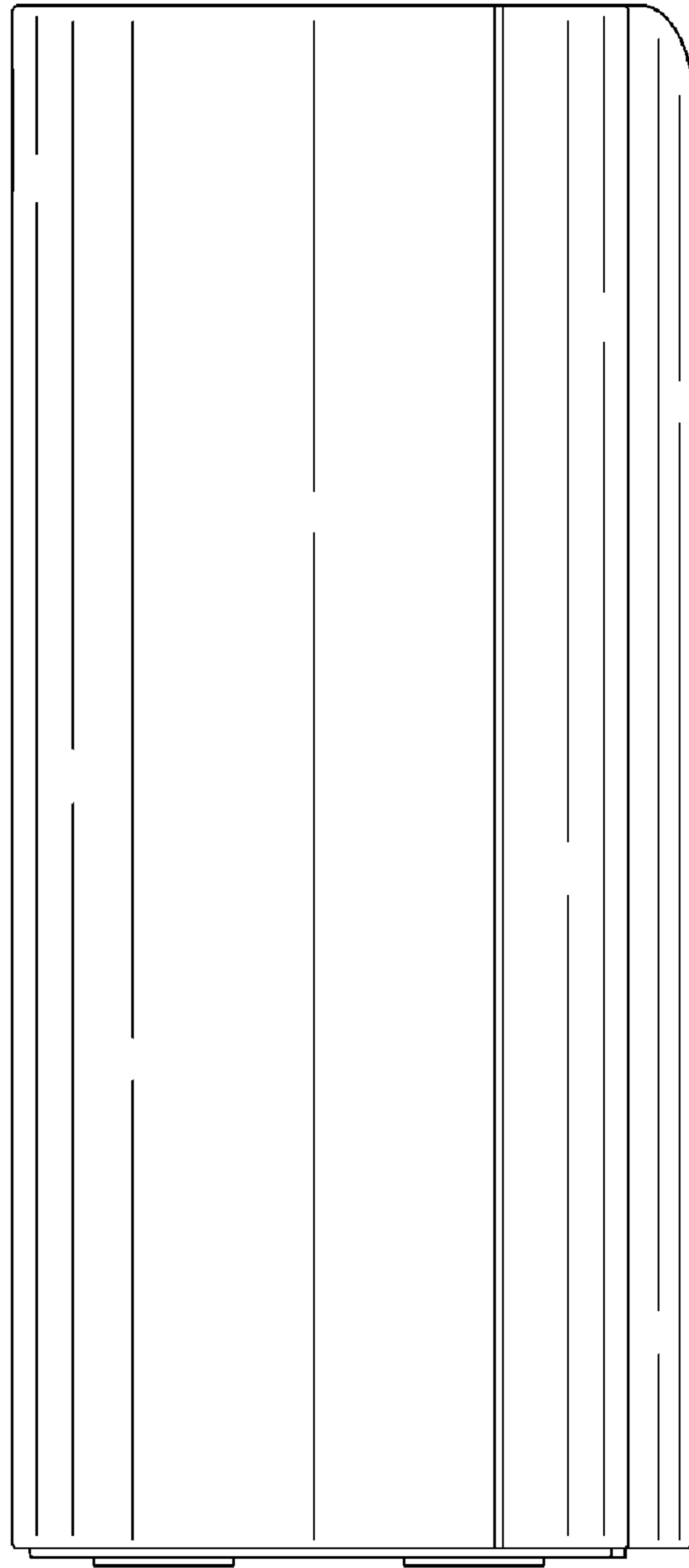


FIG. 4

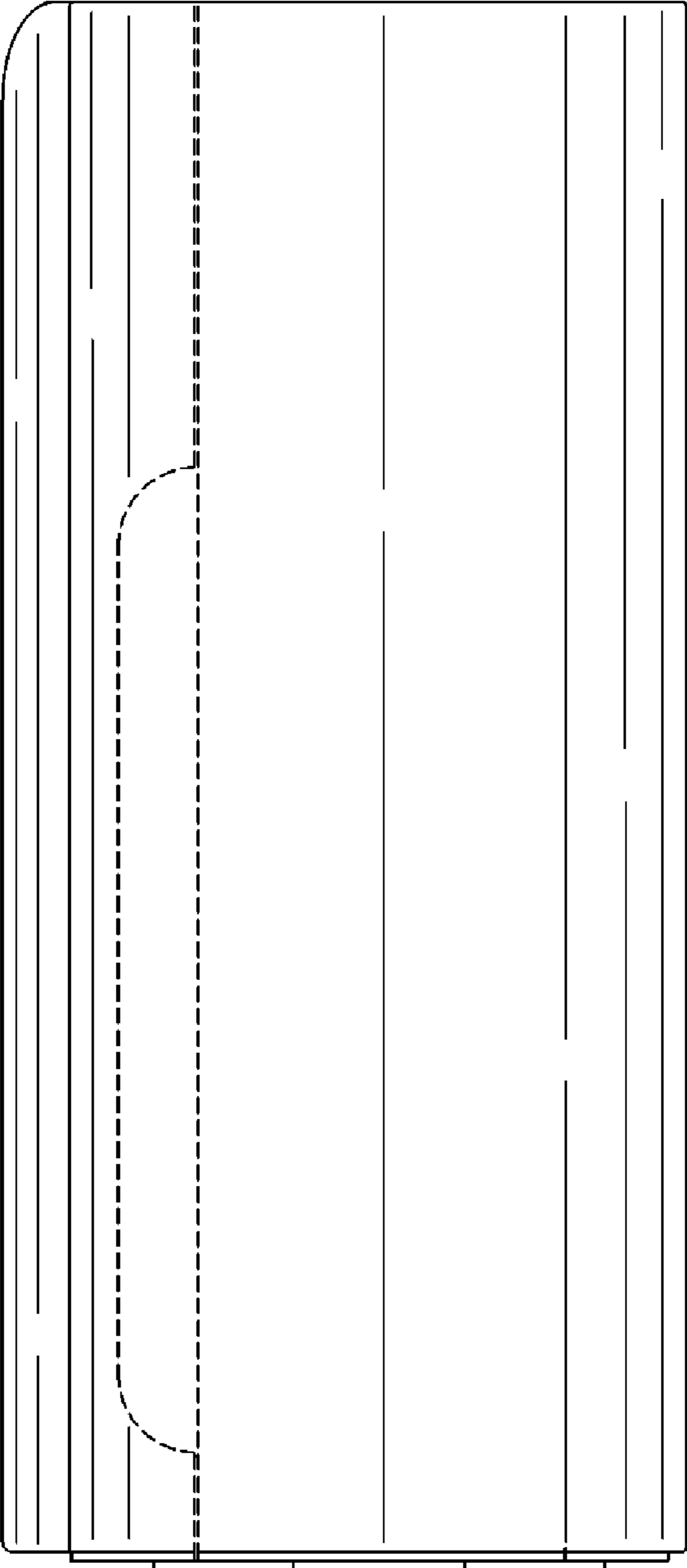


FIG. 5

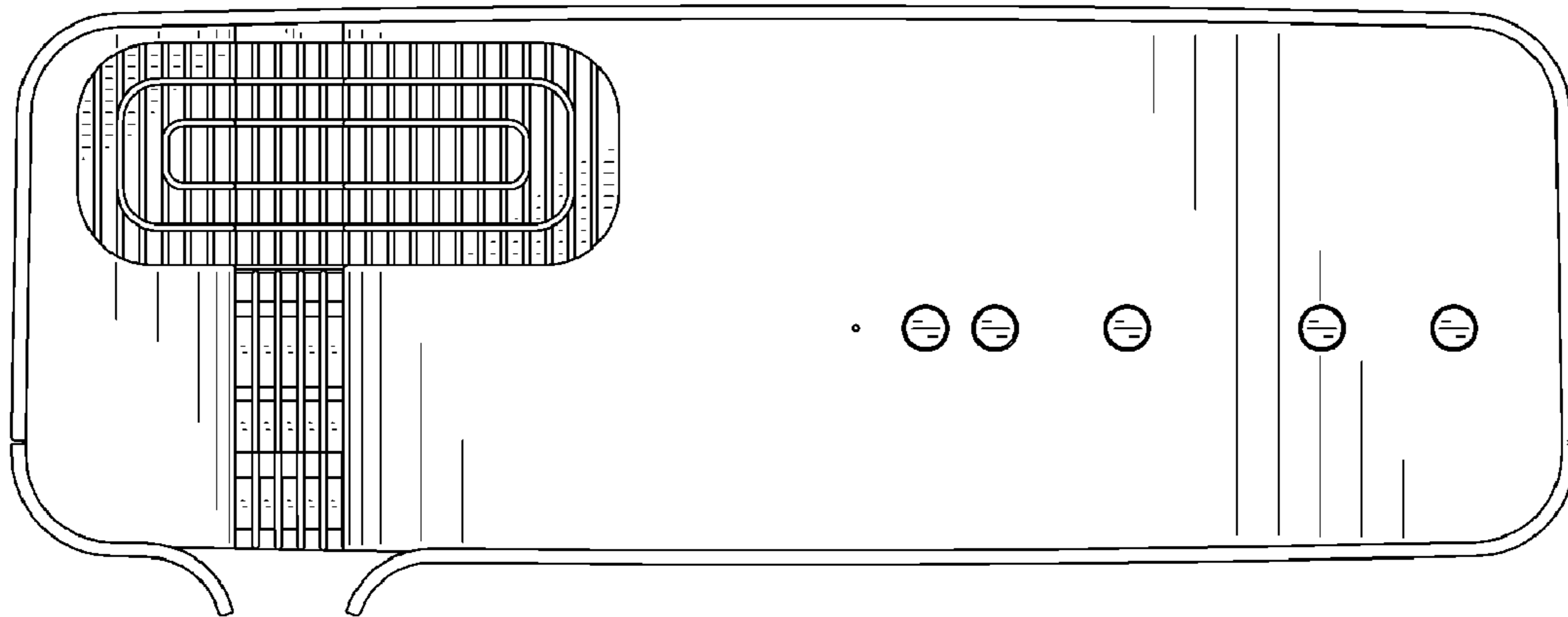


FIG. 6

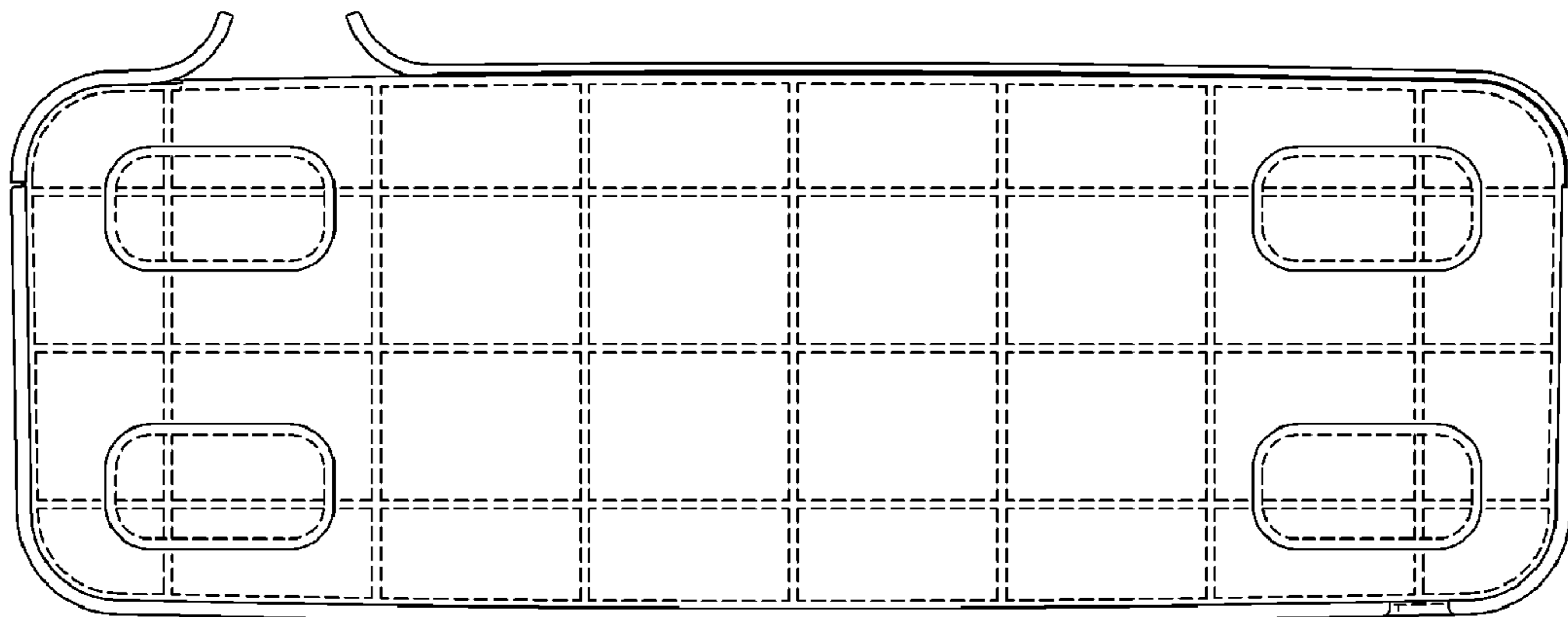


FIG. 7