



US00D635654S

(12) **United States Design Patent**
Virr et al.

(10) **Patent No.:** **US D635,654 S**
(45) **Date of Patent:** **** Apr. 5, 2011**

(54) **HUMIDIFIER TUB FOR A HUMIDIFIER FOR A POSITIVE AIRWAY PRESSURE DELIVERY DEVICE**

(75) Inventors: **Alexander Virr**, Balmain (AU); **Mark Bertinetti**, Ermington (AU); **Dan Kao**, Northbridge (AU)

(73) Assignee: **ResMed Limited**, Bella Vista (AU)

(**) Term: **14 Years**

(21) Appl. No.: **29/371,058**

(22) Filed: **Oct. 4, 2010**

Related U.S. Application Data

(62) Division of application No. 29/311,388, filed on Mar. 5, 2009, now Pat. No. Des. 627,044.

(51) **LOC (9) Cl.** **23-04**

(52) **U.S. Cl.** **D23/356; D24/110**

(58) **Field of Classification Search** D23/355-366, D23/352, 369, 332, 333, 335, 336, 342, 351; D24/110, 164; 128/200.24, 200.23, 200.22, 128/200.16, 200.14, 203.16, 203.17, 204.18, 128/204.23; 422/120, 122; 55/356, 473, 55/504; 96/97; D14/188, 170, 172; 261/DIG. 17, 261/DIG. 65, DIG. 88, DIG. 31; D32/31; D15/5

See application file for complete search history.

(56) **References Cited**

U.S. PATENT DOCUMENTS

D254,750 S *	4/1980	Myklebust et al.	D23/356
D296,819 S *	7/1988	Suhajda	D23/360
D305,562 S	1/1990	Martinez		
D374,479 S	10/1996	Bucher et al.		
D377,212 S	1/1997	Moore		
D396,726 S *	8/1998	Sadr et al.	D15/5
D419,658 S	1/2000	Matchett et al.		

D427,675 S	7/2000	Hansel		
6,217,627 B1 *	4/2001	Vyskocil et al.	55/504
D455,484 S *	4/2002	Hensel	D23/366
D456,887 S *	5/2002	Zlotnik	D23/366
D468,011 S	12/2002	Lithgow et al.		
D517,672 S	3/2006	Schmitt et al.		
D529,159 S *	9/2006	Howansky et al.	D23/360
D529,514 S *	10/2006	Maeda et al.	D15/5
D529,924 S *	10/2006	Ryczek et al.	D15/5
D531,642 S *	11/2006	Maeda et al.	D15/5
D553,228 S	10/2007	Virr et al.		
D557,407 S	12/2007	Lithgow et al.		
D581,431 S *	11/2008	Shimomura	D15/5
D585,459 S	1/2009	Jing		
D585,540 S	1/2009	Lithgow et al.		
D592,740 S *	5/2009	Catrino	D23/332
D593,190 S	5/2009	Glass		
D612,480 S	3/2010	Cork et al.		
D617,437 S *	6/2010	Matsuzaki	D23/364

* cited by examiner

Primary Examiner — David G Muller

(74) *Attorney, Agent, or Firm* — Nixon & Vanderhye P.C.

(57) **CLAIM**

The ornamental design for a humidifier tub for a humidifier for a positive airway pressure delivery device, as shown and described.

DESCRIPTION

FIG. 1 is a perspective view of a humidifier tub for a humidifier for a positive airway pressure delivery device according to our new ornamental design.

FIG. 2 is a front view thereof;

FIG. 3 is a rear view thereof;

FIG. 4 is a top view thereof;

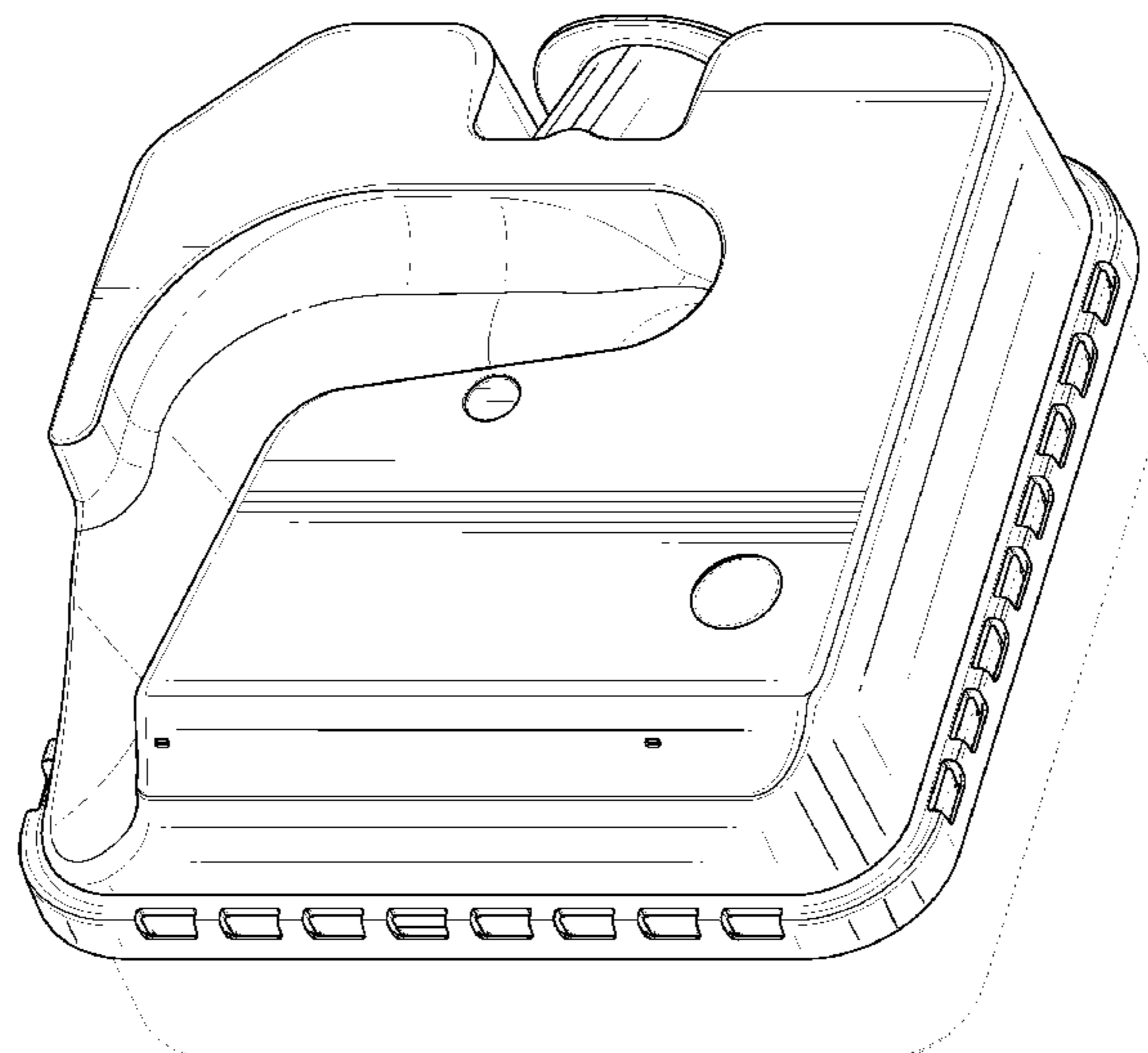
FIG. 5 is a bottom view thereof;

FIG. 6 is a left side view thereof; and,

FIG. 7 is a right side view thereof.

The broken lines of the humidifier tub represent environment or structure and do not form a part of the claimed design.

1 Claim, 5 Drawing Sheets



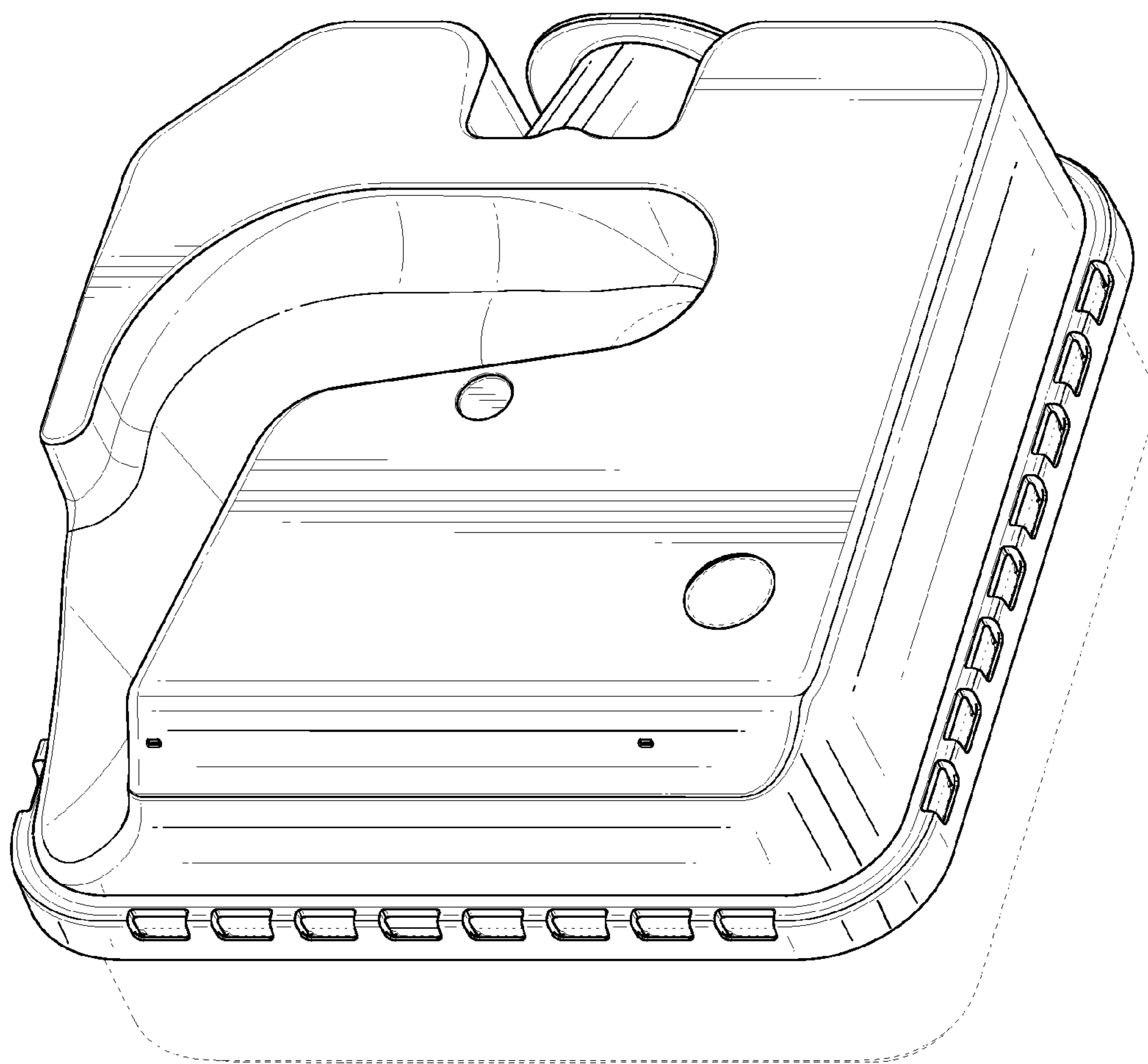


Figure 1

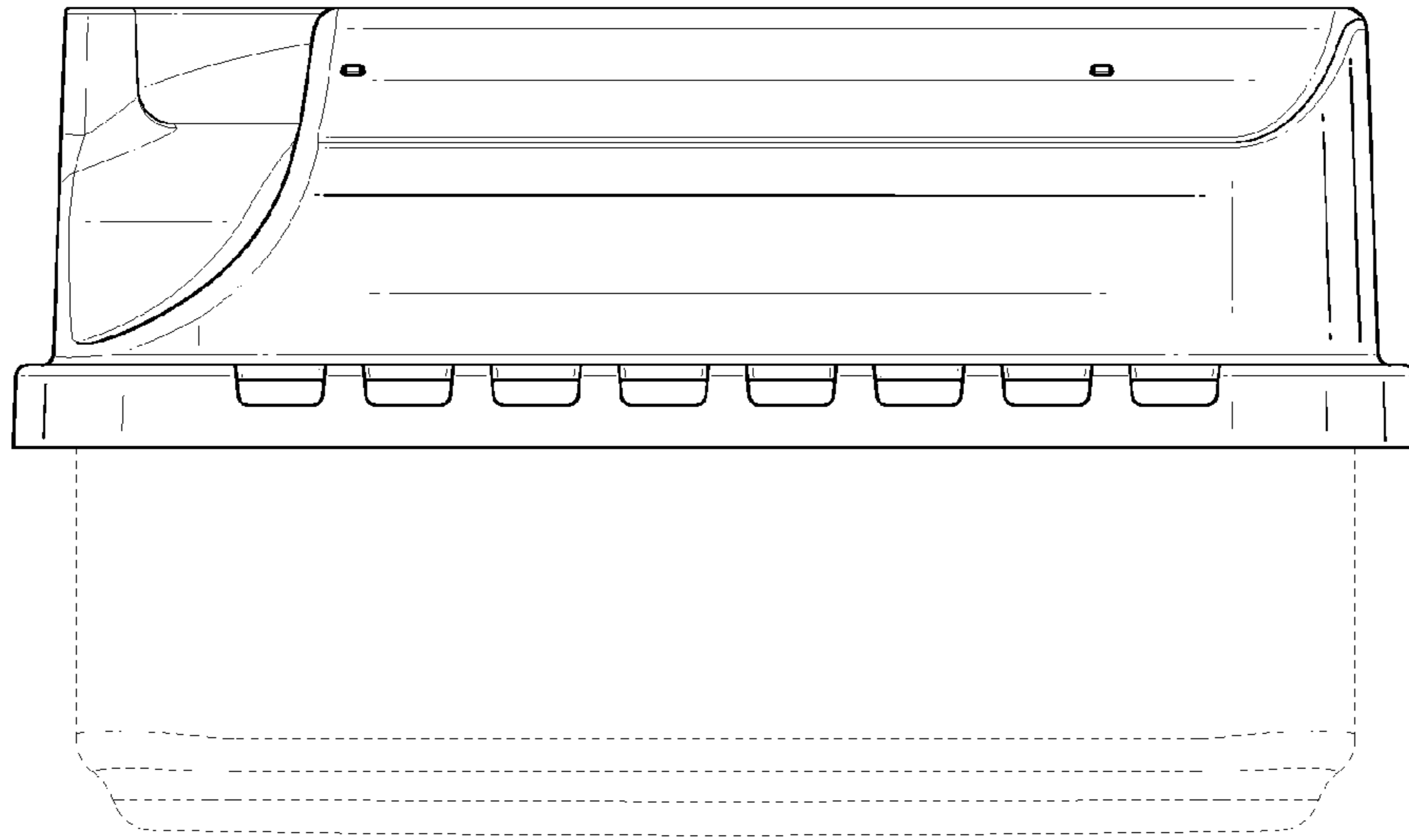


Figure 2

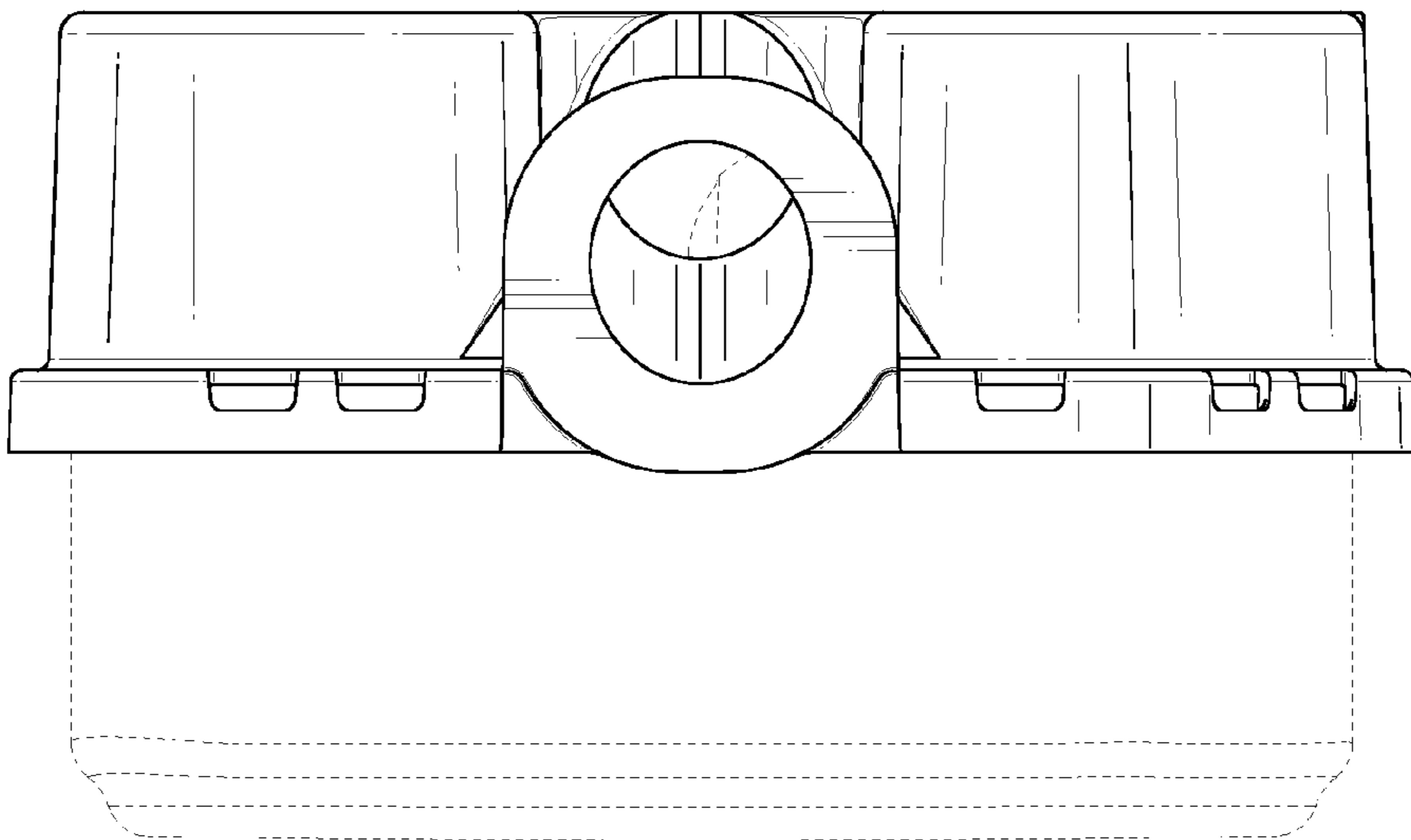


Figure 3

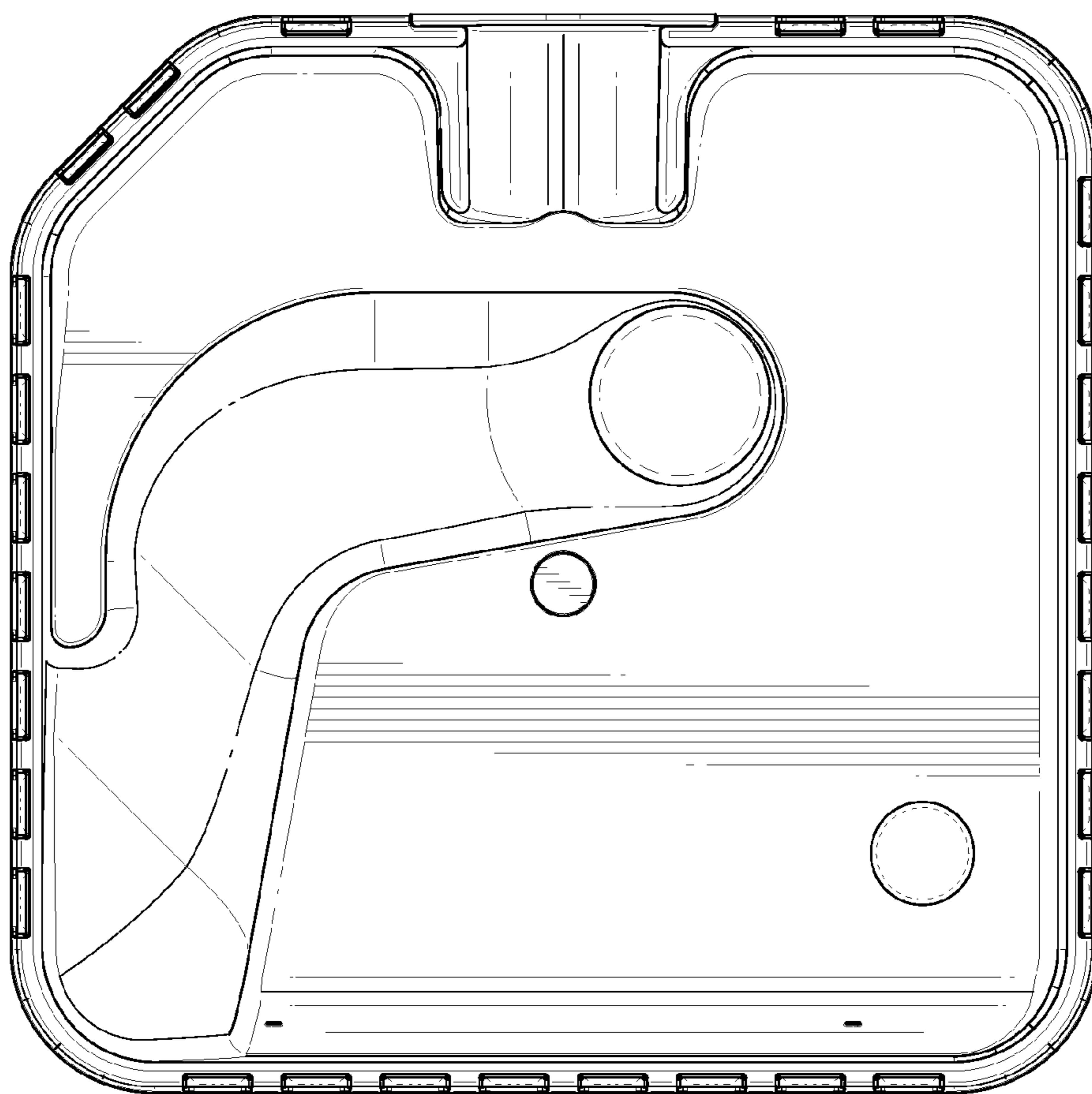


Figure 4

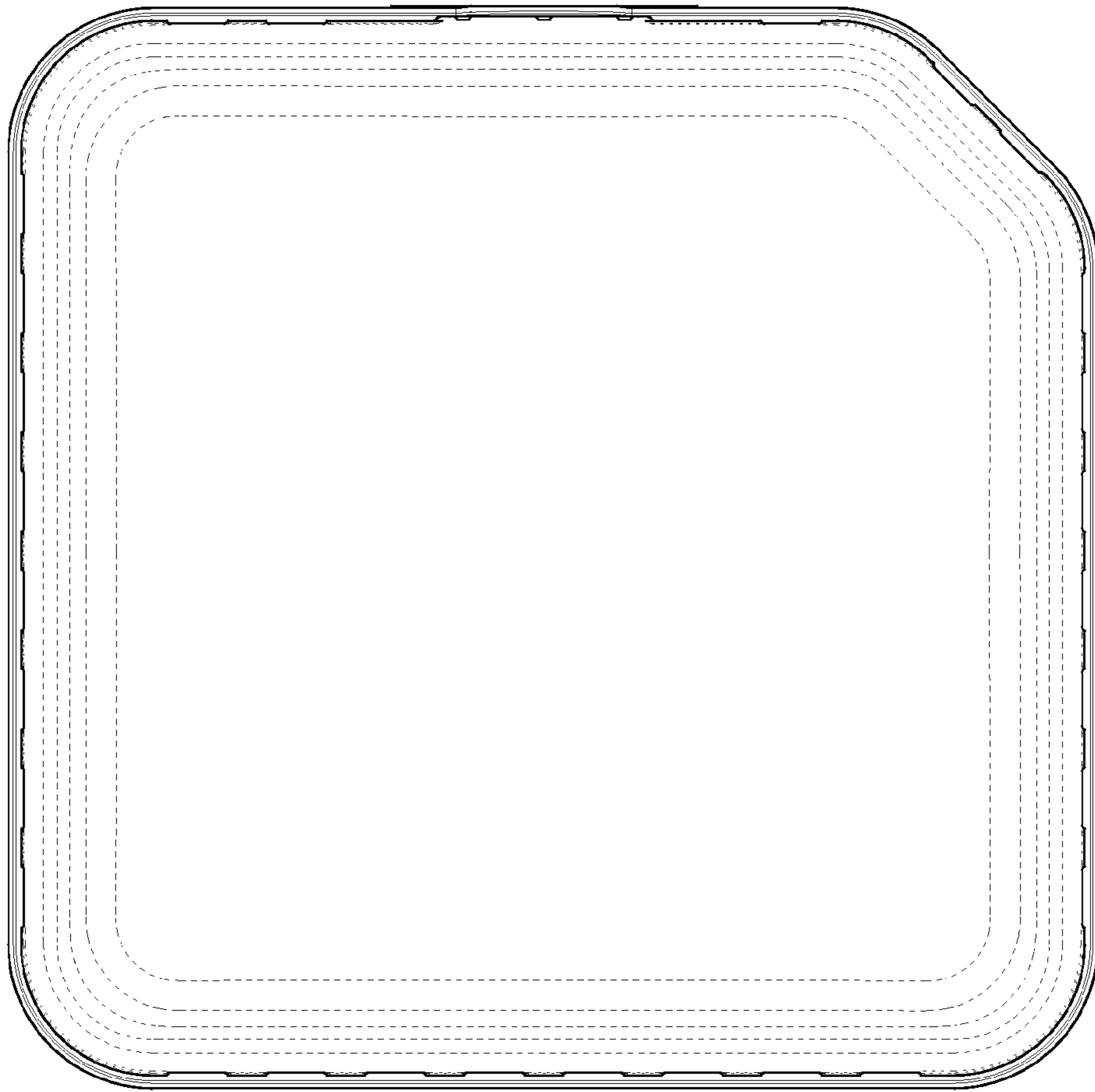


Figure 5

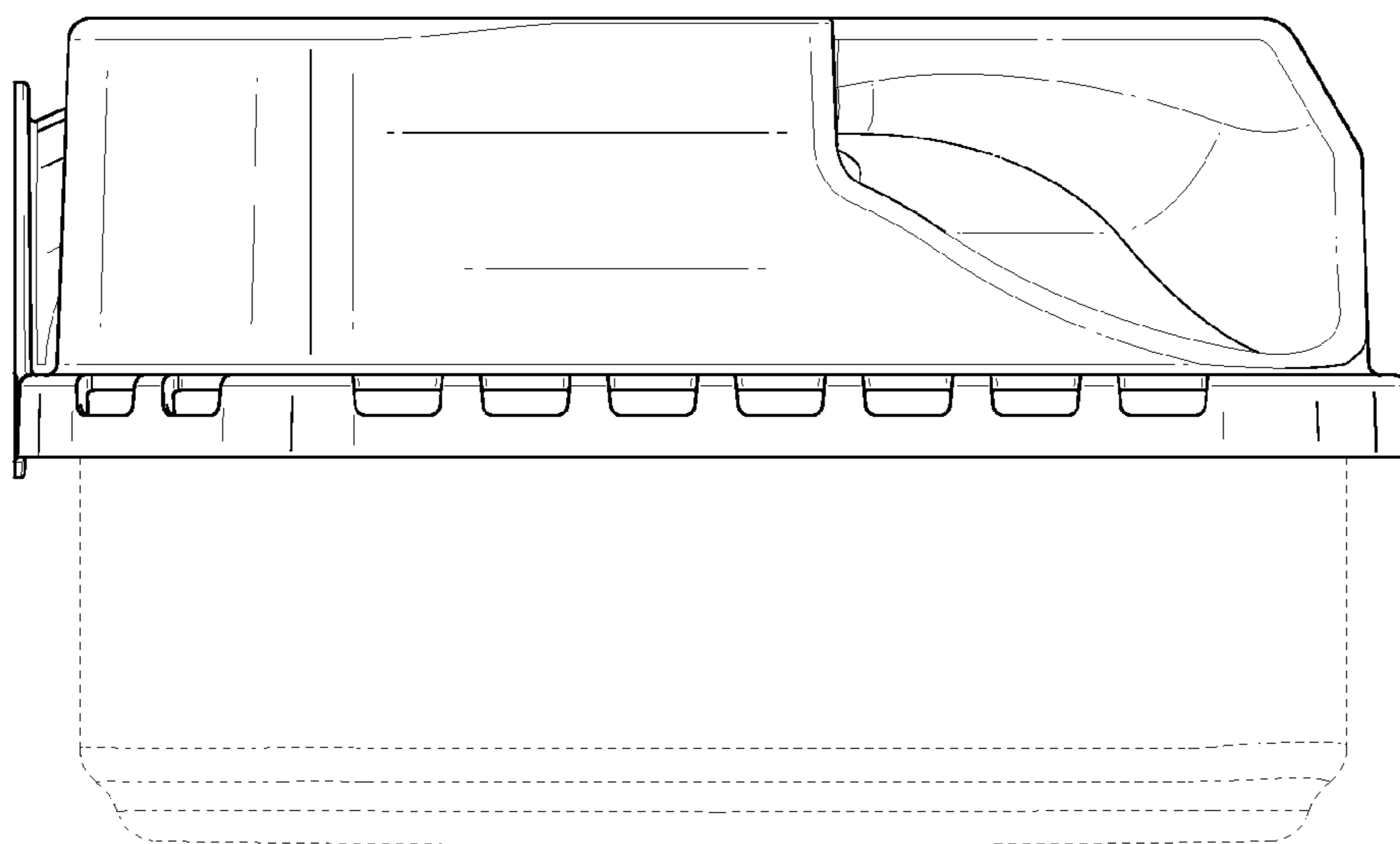


Figure 6

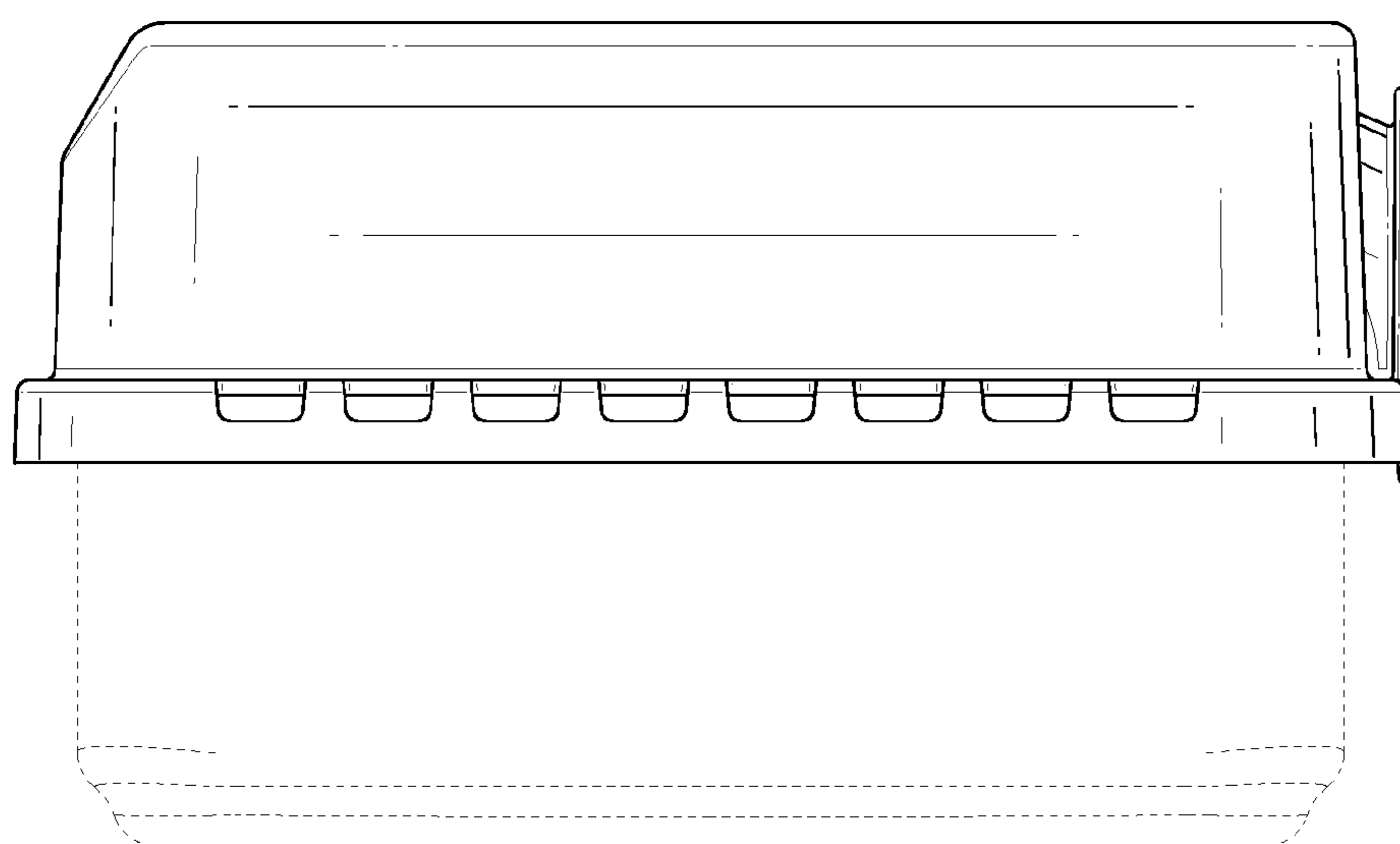


Figure 7