



US00D635647S

(12) **United States Design Patent**
Montgomery et al.

(10) **Patent No.:** **US D635,647 S**

(45) **Date of Patent:** **** Apr. 5, 2011**

(54) **BATH FILLER**

(75) Inventors: **Howard M. Montgomery**, Skokie, IL (US); **Yang Huan**, Beijing (CN)

(73) Assignee: **Beijing Kohler Ltd.**, Miyun County, Beijing (CN)

(**) Term: **14 Years**

(21) Appl. No.: **29/362,361**

(22) Filed: **May 25, 2010**

(51) **LOC (9) Cl.** **23-01**

(52) **U.S. Cl.** **D23/239**

(58) **Field of Classification Search** D23/238–239,
D23/242–243, 250, 252–254, 255, 257; 4/675–678;
137/801

See application file for complete search history.

(56) **References Cited**

U.S. PATENT DOCUMENTS

- D461,529 S * 8/2002 Gottwald D23/242
- D514,199 S * 1/2006 Starck D23/238
- D616,069 S * 5/2010 Krause D23/239

OTHER PUBLICATIONS

- http://www.decorglamour.com/image.asp?image=imageslarge/Hansgrohe_10456001_large.jpg&w=290.
- <http://www.efaucets.com/images/graff/large/G-1752-LM3F-PC-19-jpg>.

<http://www.plumbersurplus.com/images/prod/5/CIFIAL-221.600.620-rw-130360-191227.jpg>.

<http://www.decorisland.com/uploadedimages/large/0211.jpg>.

* cited by examiner

Primary Examiner — Robert A Delehanty

(74) *Attorney, Agent, or Firm* — Foley & Lardner LLP

(57) **CLAIM**

The ornamental design for a bath filler, as shown and described.

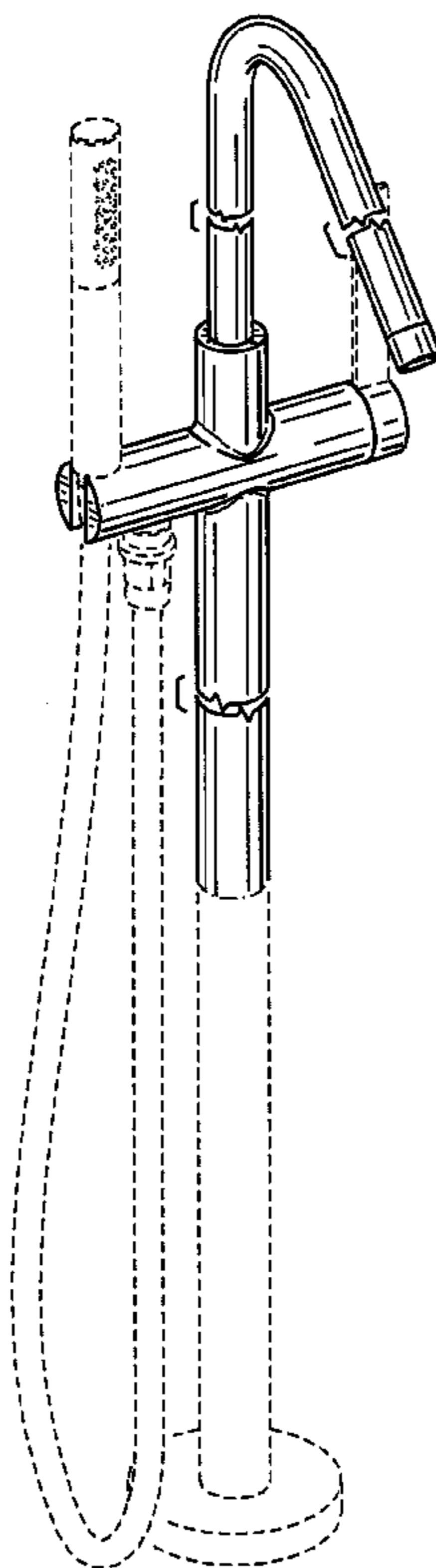
DESCRIPTION

FIG. 1 is a left, top, front perspective view of a bath filler according to the new design;
FIG. 2 is a left side elevational view thereof;
FIG. 3 is a right side elevational view thereof;
FIG. 4 is a front elevational view thereof;
FIG. 5 is a rear elevational view thereof;
FIG. 6 is a top plan view thereof; and,
FIG. 7 is a bottom plan view thereof.

The broken line representations in the figures are for the purpose of illustration only, and form no part of the claimed design. The broken line representation of the hose portion shown in FIG. 1 has been omitted from the remaining figures so as not to obstruct those views of the claimed design.

Portions of the spout and standpipe are shown separated by break lines to illustrate an indeterminate length. The precise length of those portions is not being claimed.

1 Claim, 5 Drawing Sheets



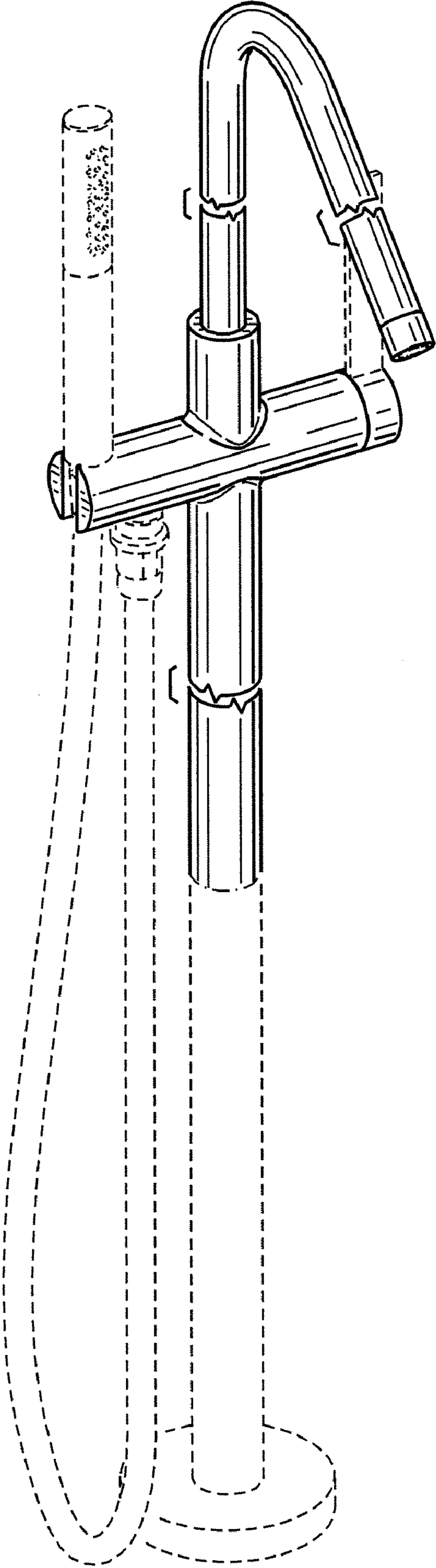


FIG. 1

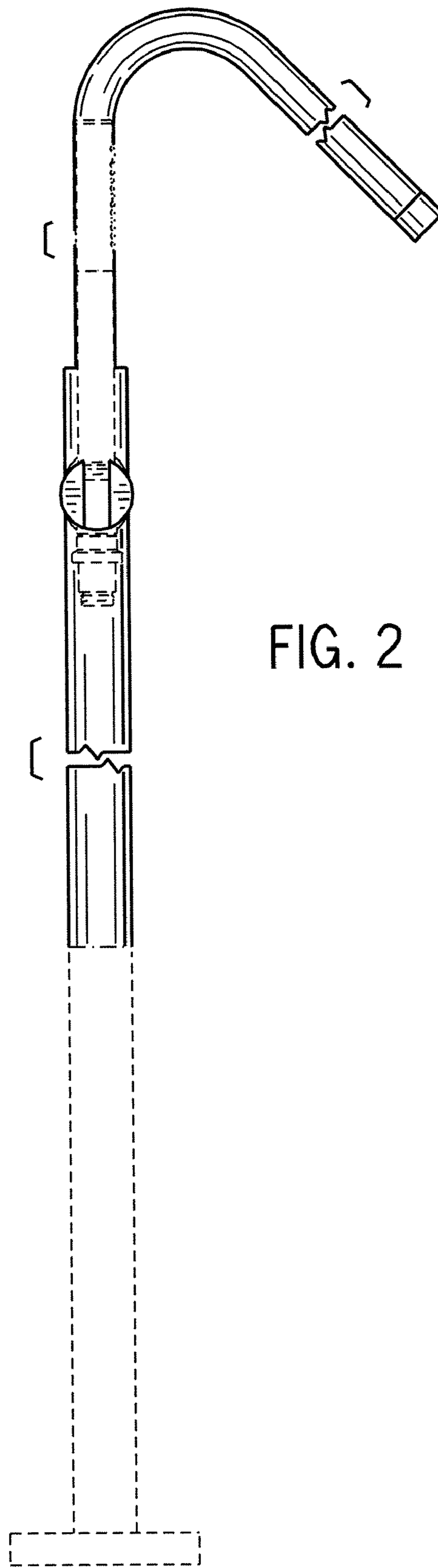


FIG. 2

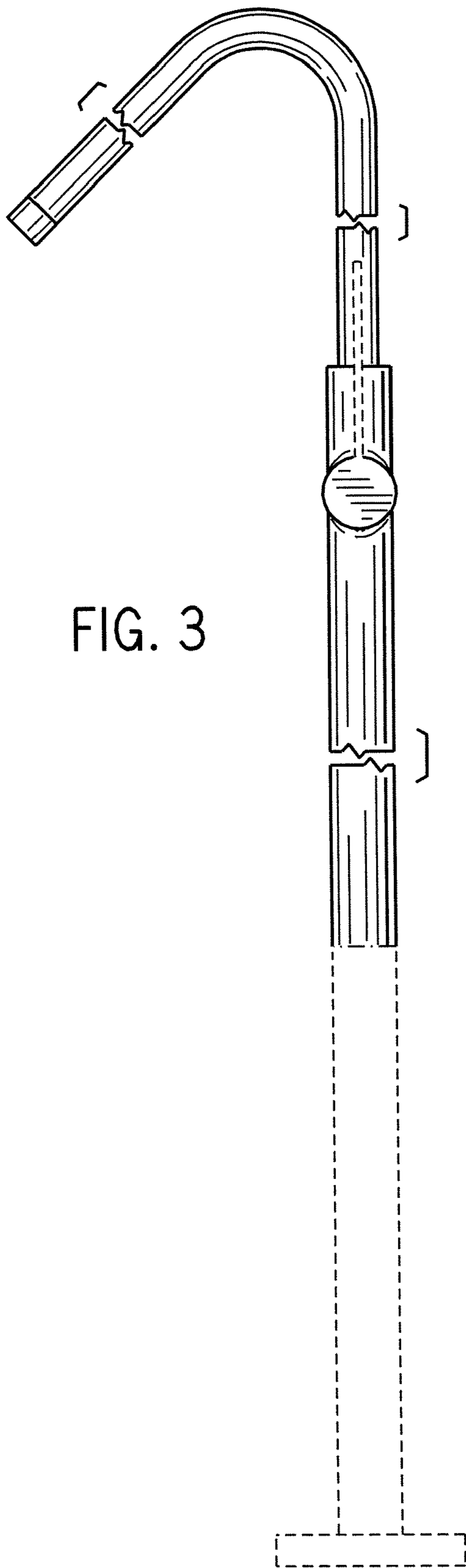
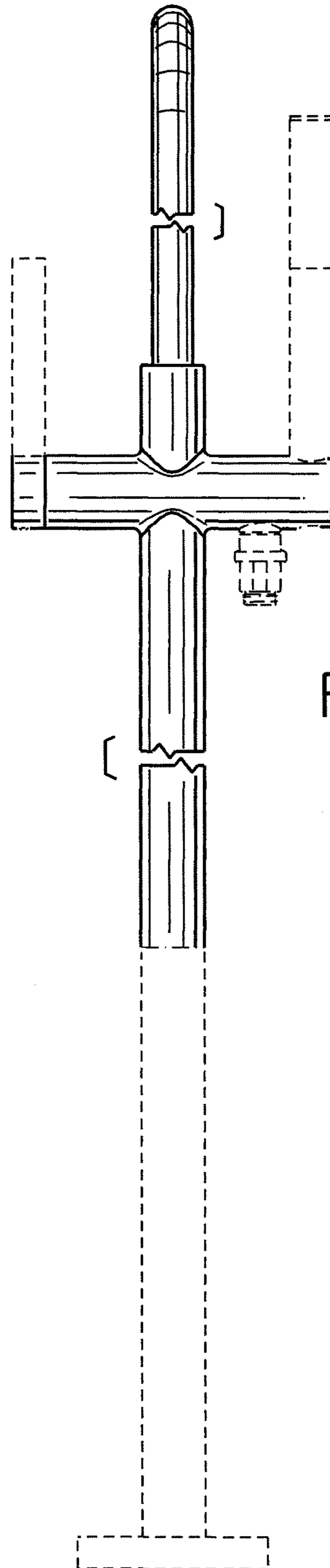
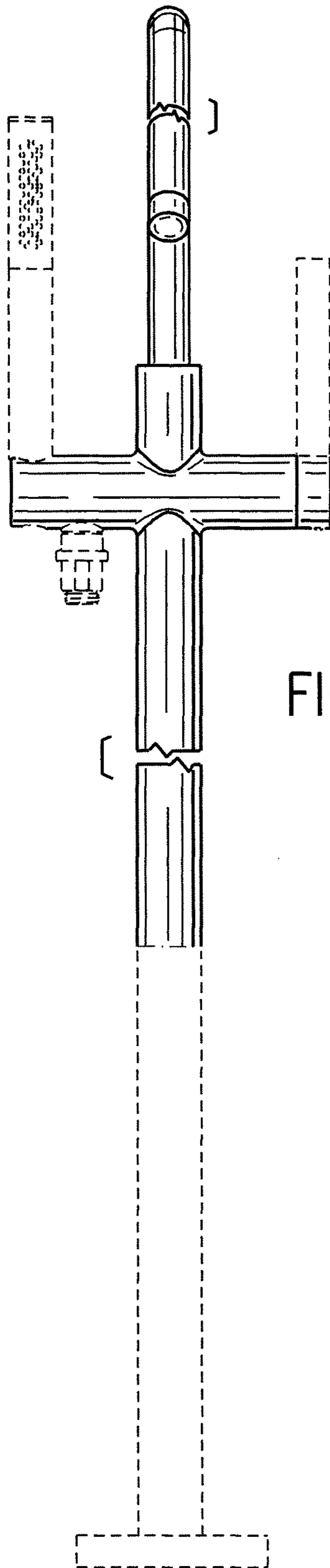


FIG. 3



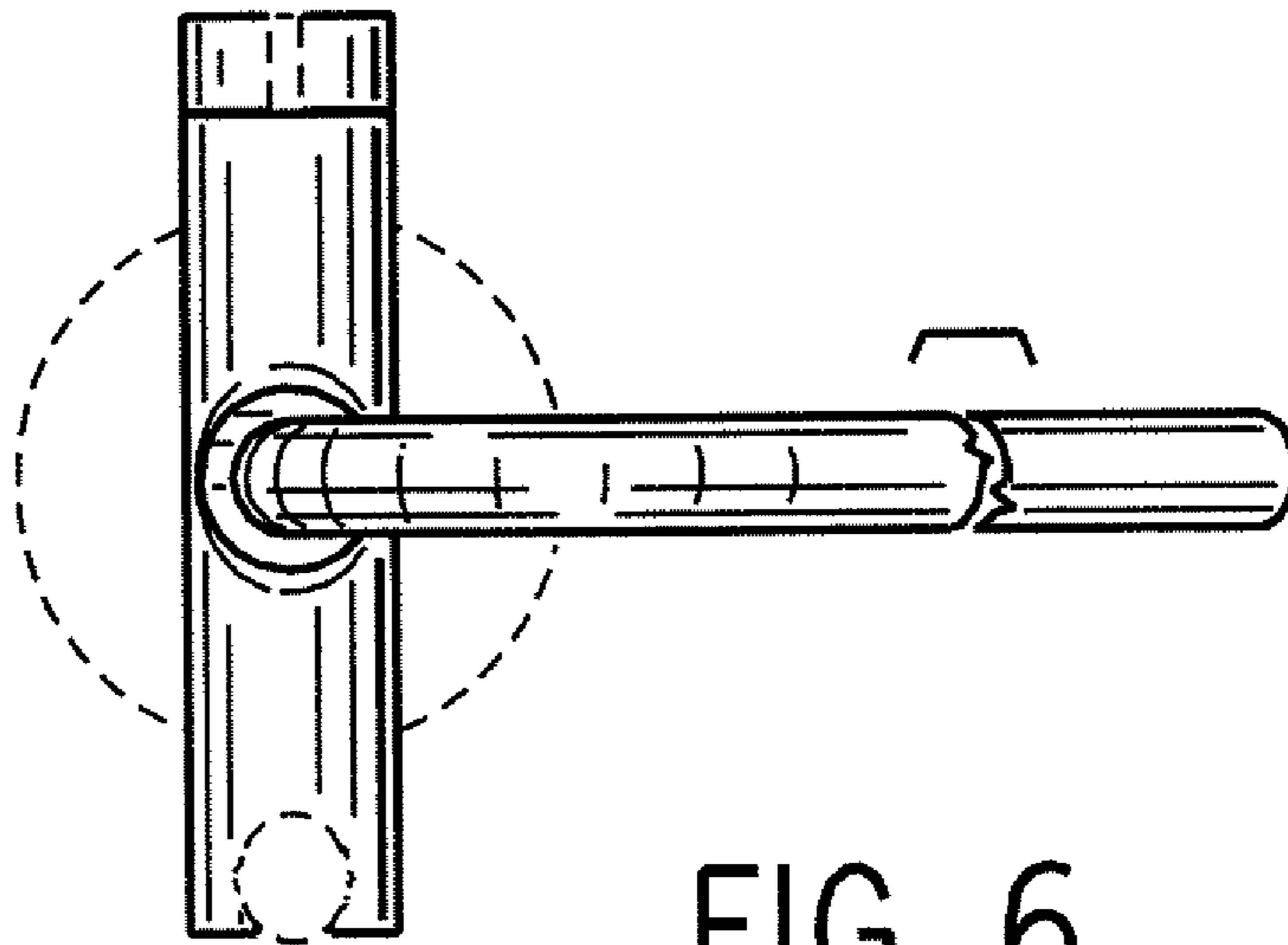


FIG. 6

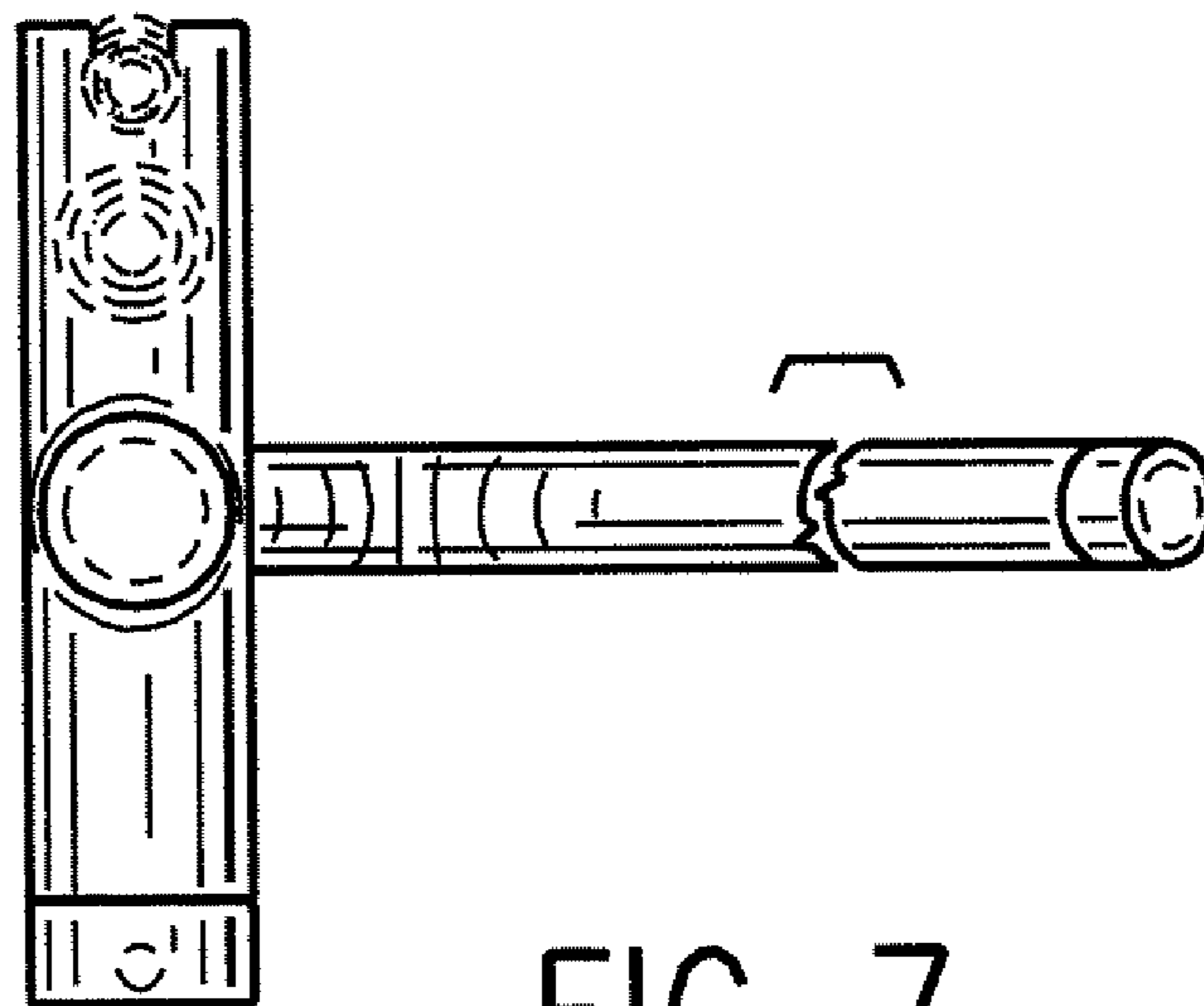


FIG. 7