



US00D635643S

(12) **United States Design Patent**  
**Hanna et al.**

(10) **Patent No.:** **US D635,643 S**  
(45) **Date of Patent:** **\*\* Apr. 5, 2011**

(54) **SPRINKLER BASE**

(75) Inventors: **Eric J. Hanna**, Somerset, PA (US);  
**Michael H. Goetz**, Berlin, PA (US)

(73) Assignee: **Gilmour, Inc.**, Newark, DE (US)

(\*\*) Term: **14 Years**

(21) Appl. No.: **29/345,791**

(22) Filed: **Oct. 22, 2009**

(51) **LOC (9) Cl.** ..... **23-01**

(52) **U.S. Cl.** ..... **D23/221**

(58) **Field of Classification Search** ..... D23/214,  
D23/221; 239/273, 276

See application file for complete search history.

D554,739 S	11/2007	Lo	
D555,228 S	11/2007	Cheng	
D559,351 S *	1/2008	Lo	..... D23/221
D559,352 S	1/2008	Lo	
7,494,071 B2	2/2009	Baird	
D597,628 S	8/2009	Goetz	
D615,611 S *	5/2010	Cheng	..... D23/221
D620,551 S *	7/2010	Mayher	..... D23/221
2002/0130204 A1	9/2002	Chao	
2010/0012749 A1	1/2010	Barzuza	

\* cited by examiner

*Primary Examiner* — Robin V Webster

(74) *Attorney, Agent, or Firm* — Maginot, Moore & Beck

(57) **CLAIM**

The ornamental design for a sprinkler base, as shown and described.

**DESCRIPTION**

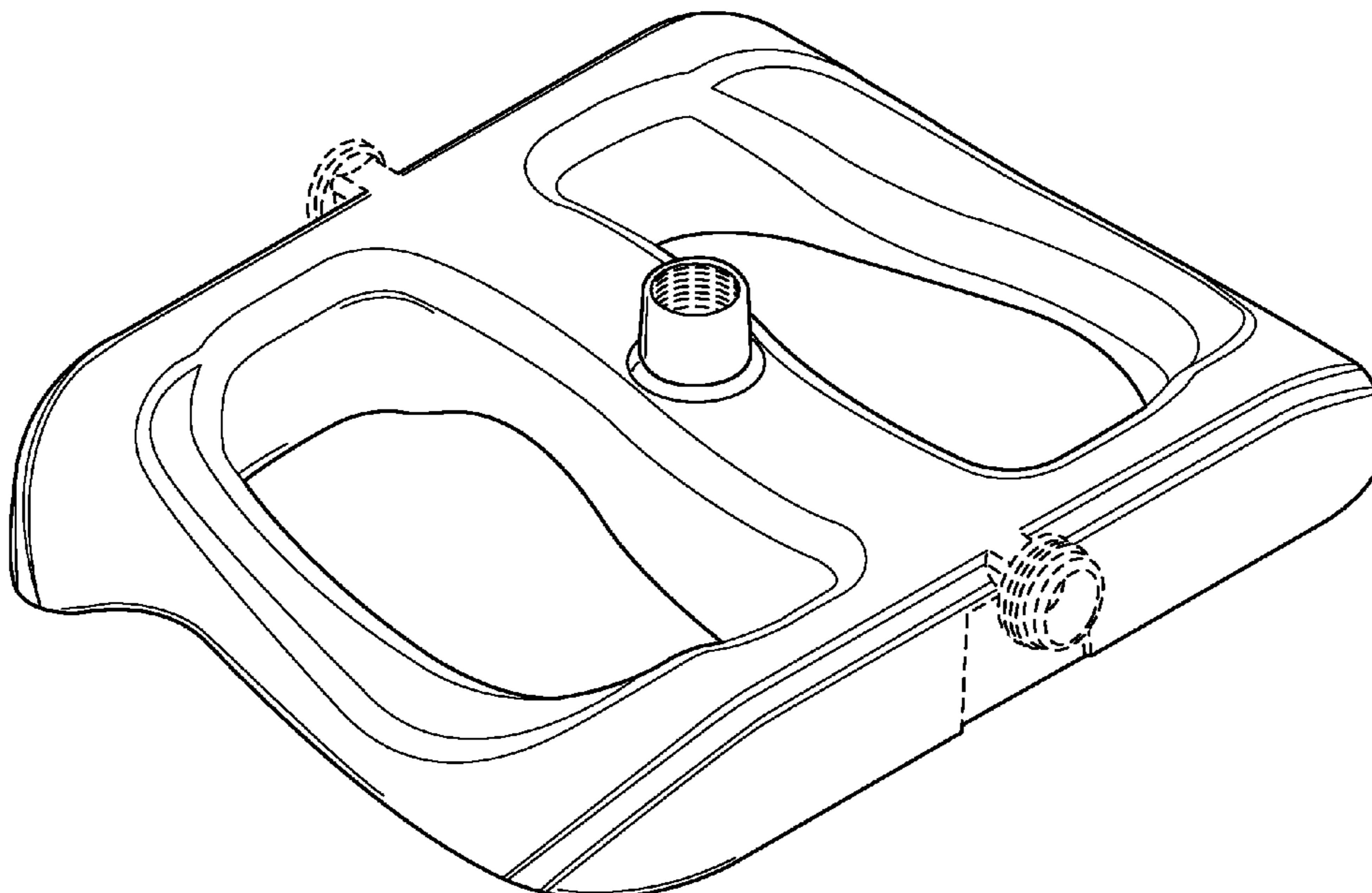
FIG. 1 is a perspective view of a sprinkler base showing our new design;  
 FIG. 2 is a right side elevational view showing the design for the sprinkler base of FIG. 1;  
 FIG. 3 is a left side elevational view showing the design for the sprinkler base of FIG. 1;  
 FIG. 4 is a front elevational view showing the design for the sprinkler base of FIG. 1;  
 FIG. 5 is a rear elevational view showing the design for the sprinkler base of FIG. 1;  
 FIG. 6 is a top elevational view showing the design for the sprinkler base of FIG. 1; and,  
 FIG. 7 is a bottom elevational view showing the design for the sprinkler base of FIG. 1.  
 The broken line showing of portions of the sprinkler base is included for illustrative purposes only and forms no part of the claimed design.

**1 Claim, 5 Drawing Sheets**

(56) **References Cited**

**U.S. PATENT DOCUMENTS**

2,914,255 A	11/1959	Jepson
3,567,122 A	3/1971	Congdon et al.
D282,769 S	2/1986	Lemkin et al.
4,625,914 A	12/1986	Sexton et al.
5,350,115 A	9/1994	Burnworth et al.
D358,449 S	5/1995	Ford
D378,399 S	3/1997	Simonetti et al.
D412,556 S	8/1999	Hsin-Fa
D421,640 S	3/2000	Chih
D422,052 S	3/2000	Heren
D440,629 S	4/2001	Guo
D470,218 S	2/2003	Alkalay et al.
D500,122 S	12/2004	Schapper
D508,729 S	8/2005	Sener et al.
D510,405 S	10/2005	Sener et al.
D510,406 S	10/2005	Sener et al.
D514,195 S	1/2006	Sener et al.
D514,196 S	1/2006	Sener et al.
D540,429 S	4/2007	Barmore
7,252,246 B2	8/2007	Heren et al.
D554,737 S	11/2007	Lo



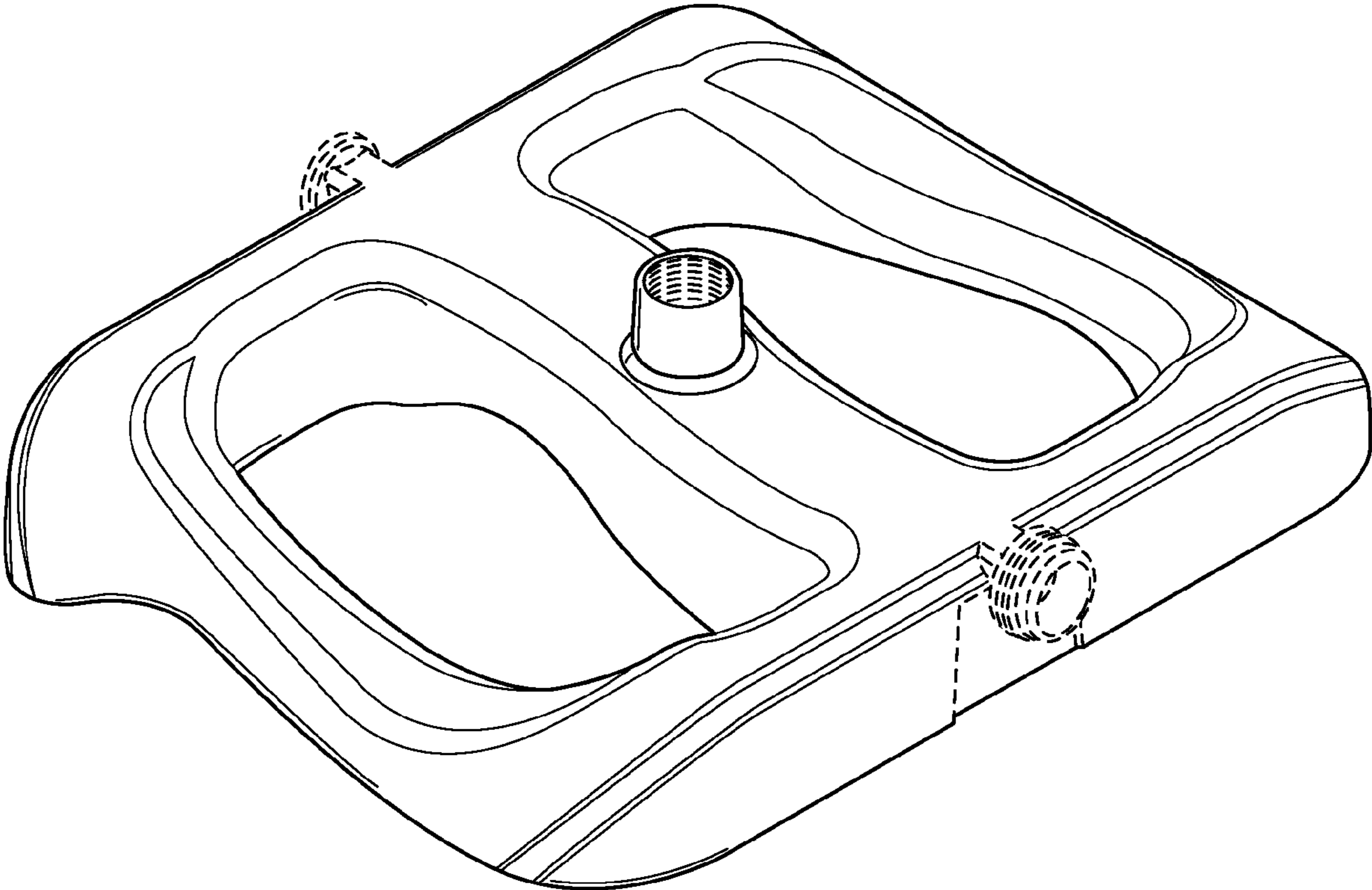


FIG. 1

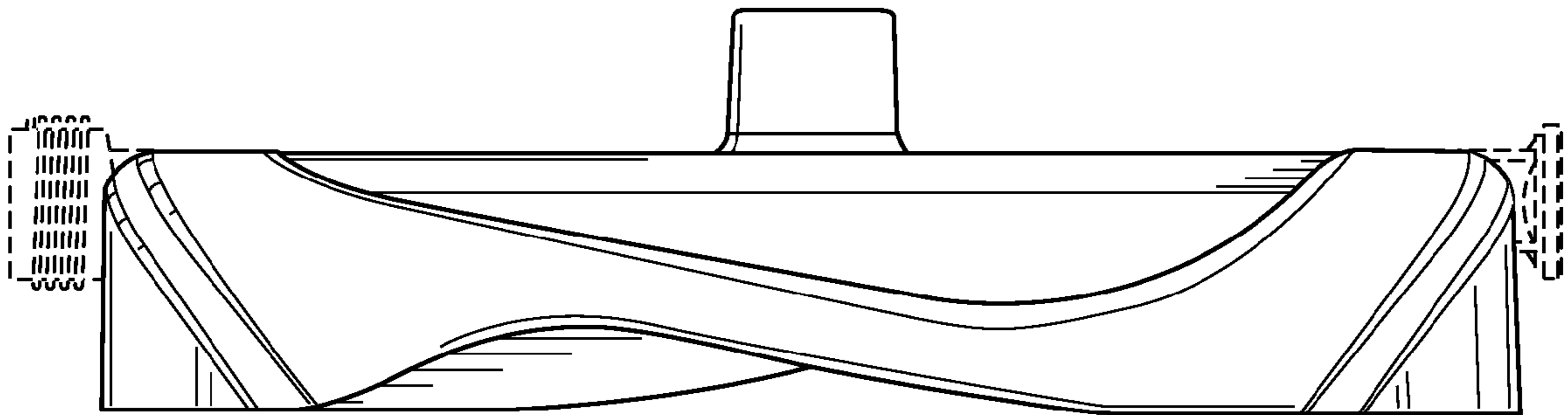


FIG. 2

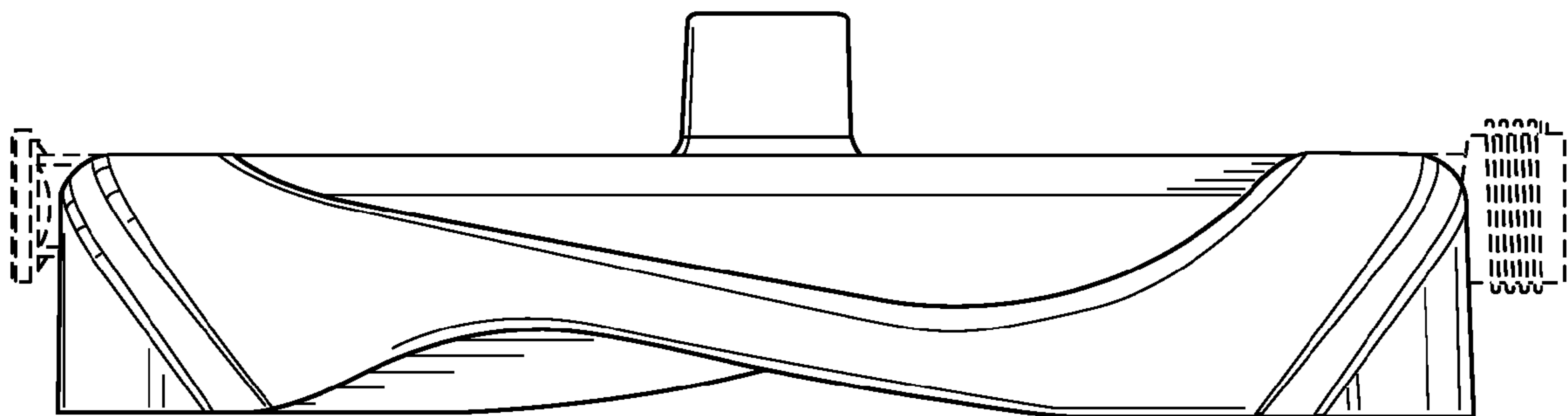


FIG. 3

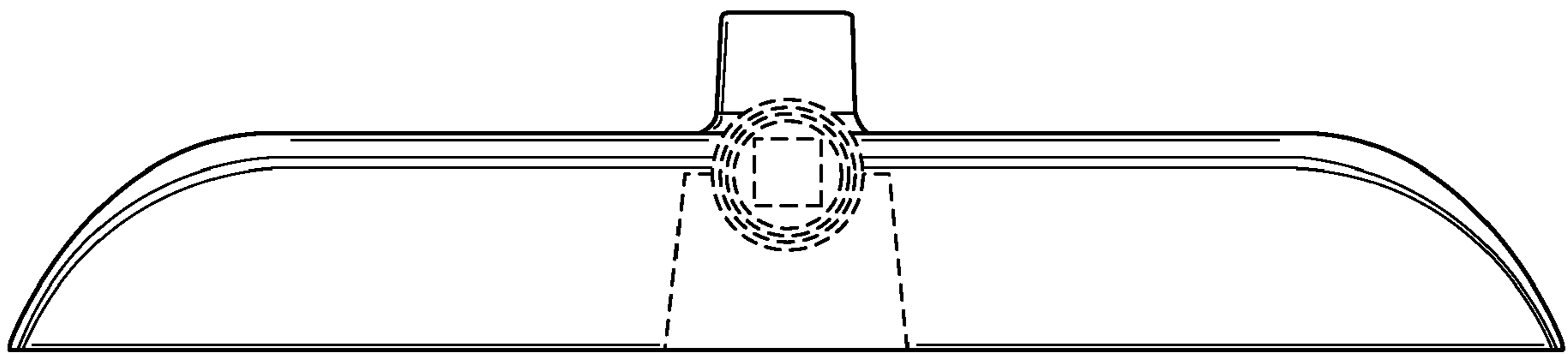


FIG. 4

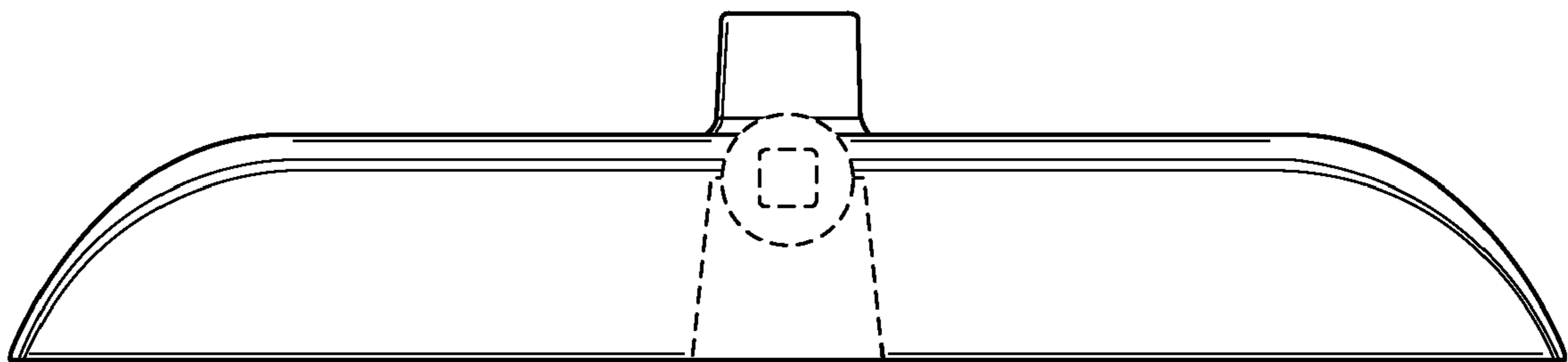


FIG. 5

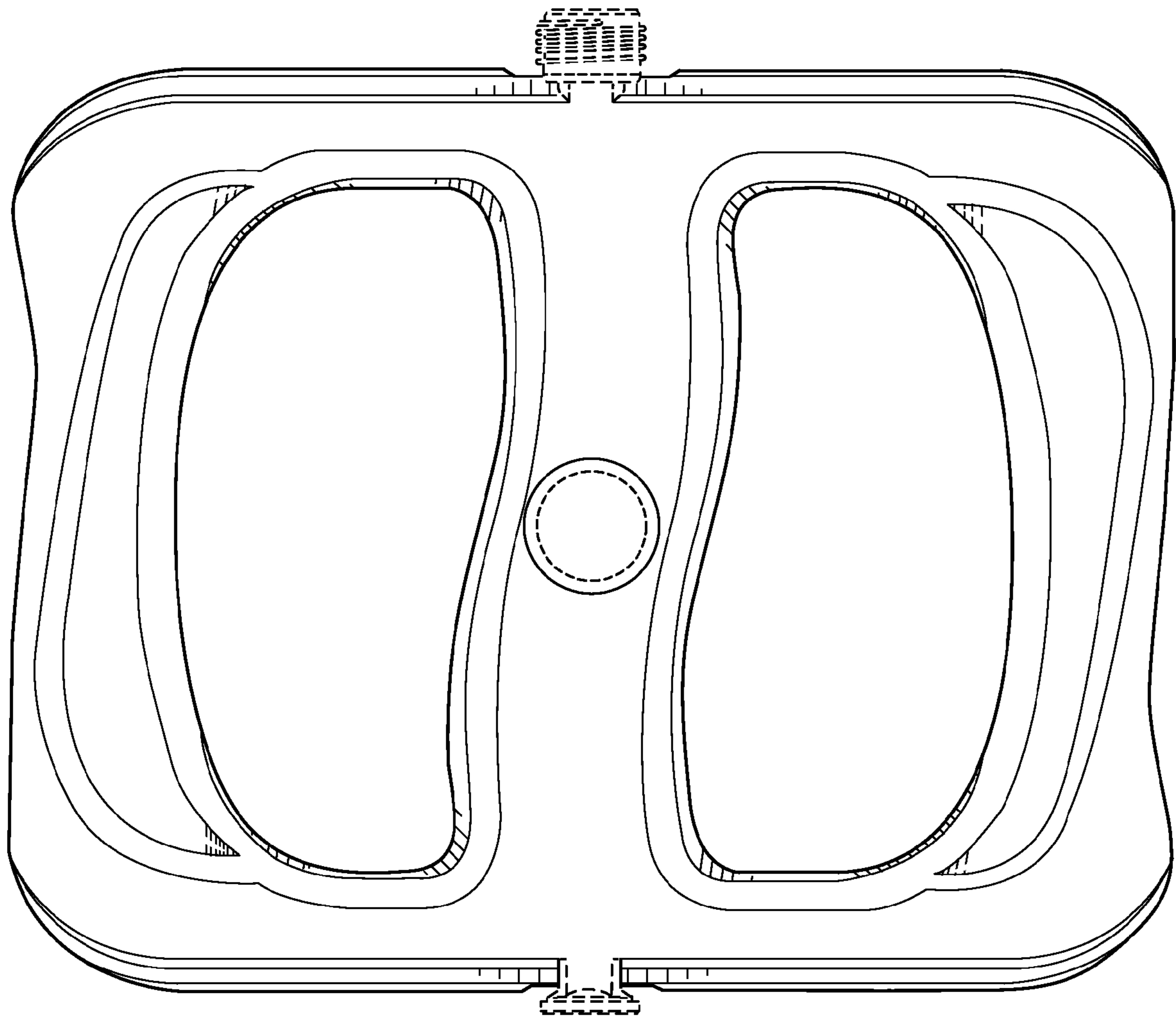


FIG. 6

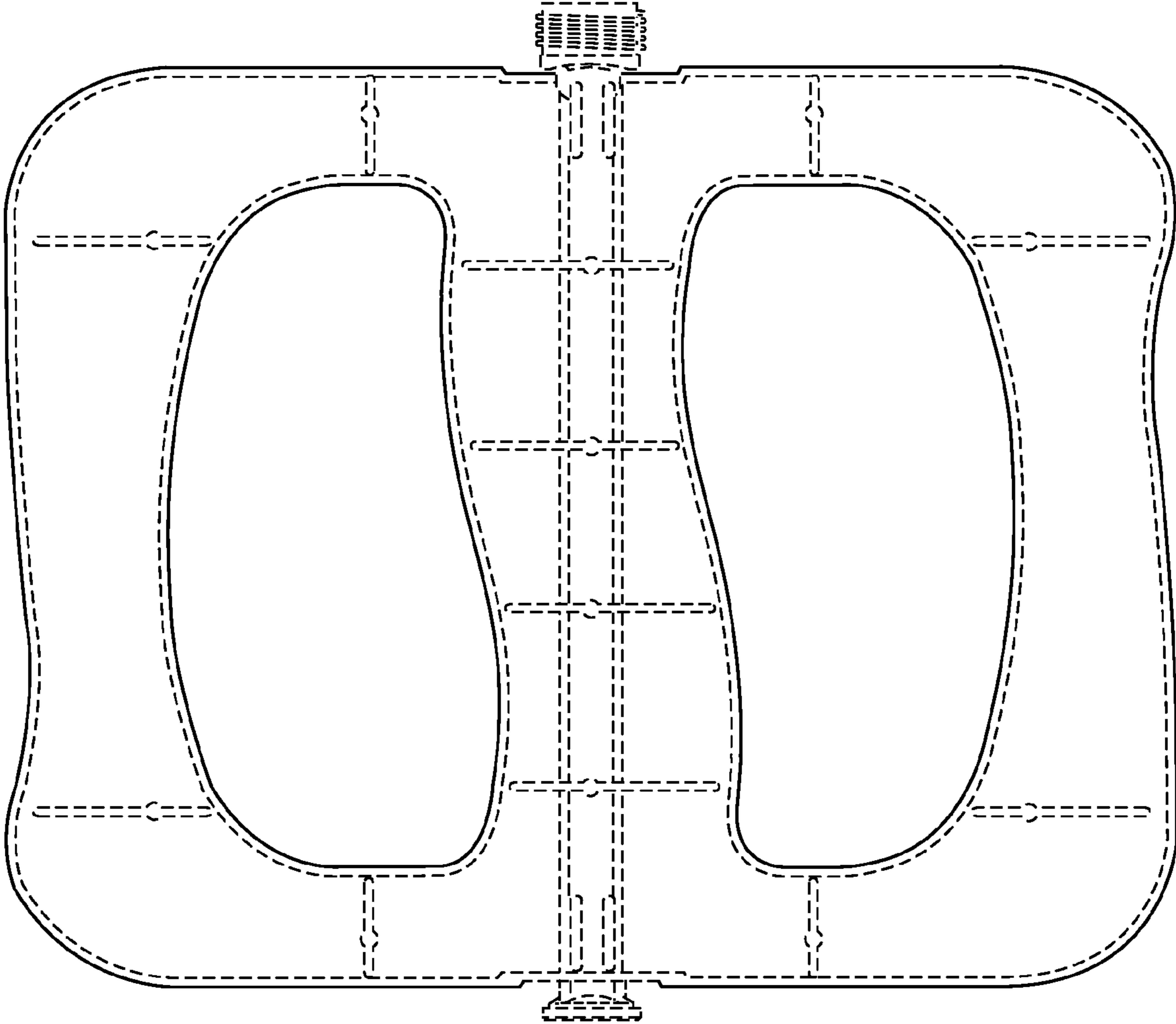


FIG. 7