



US00D635640S

(12) **United States Design Patent**
Xu

(10) **Patent No.:** **US D635,640 S**

(45) **Date of Patent:** **** Apr. 5, 2011**

(54) **HOUSEHOLD WATER PURIFIER**

(76) Inventor: **Daohua Xu**, Fuzhou (CN)

(**) Term: **14 Years**

(21) Appl. No.: **29/369,467**

(22) Filed: **Sep. 9, 2010**

(30) **Foreign Application Priority Data**

Jun. 9, 2010 (CN) 2010 3 0195947

(51) **LOC (9) Cl.** **23-01**

(52) **U.S. Cl.** **D23/209**

(58) **Field of Classification Search** D23/207,
D23/209; 210/232, 282, 464
See application file for complete search history.

(56) **References Cited**

U.S. PATENT DOCUMENTS

D457,596 S * 5/2002 Guzman et al. D23/209
D529,128 S * 9/2006 Lee D23/209

D542,374 S * 5/2007 Green et al. D23/209
D574,925 S * 8/2008 Morita et al. D23/209
D586,880 S * 2/2009 Gaston et al. D23/209
D592,728 S * 5/2009 Wang D23/207

* cited by examiner

Primary Examiner — Robin V Webster

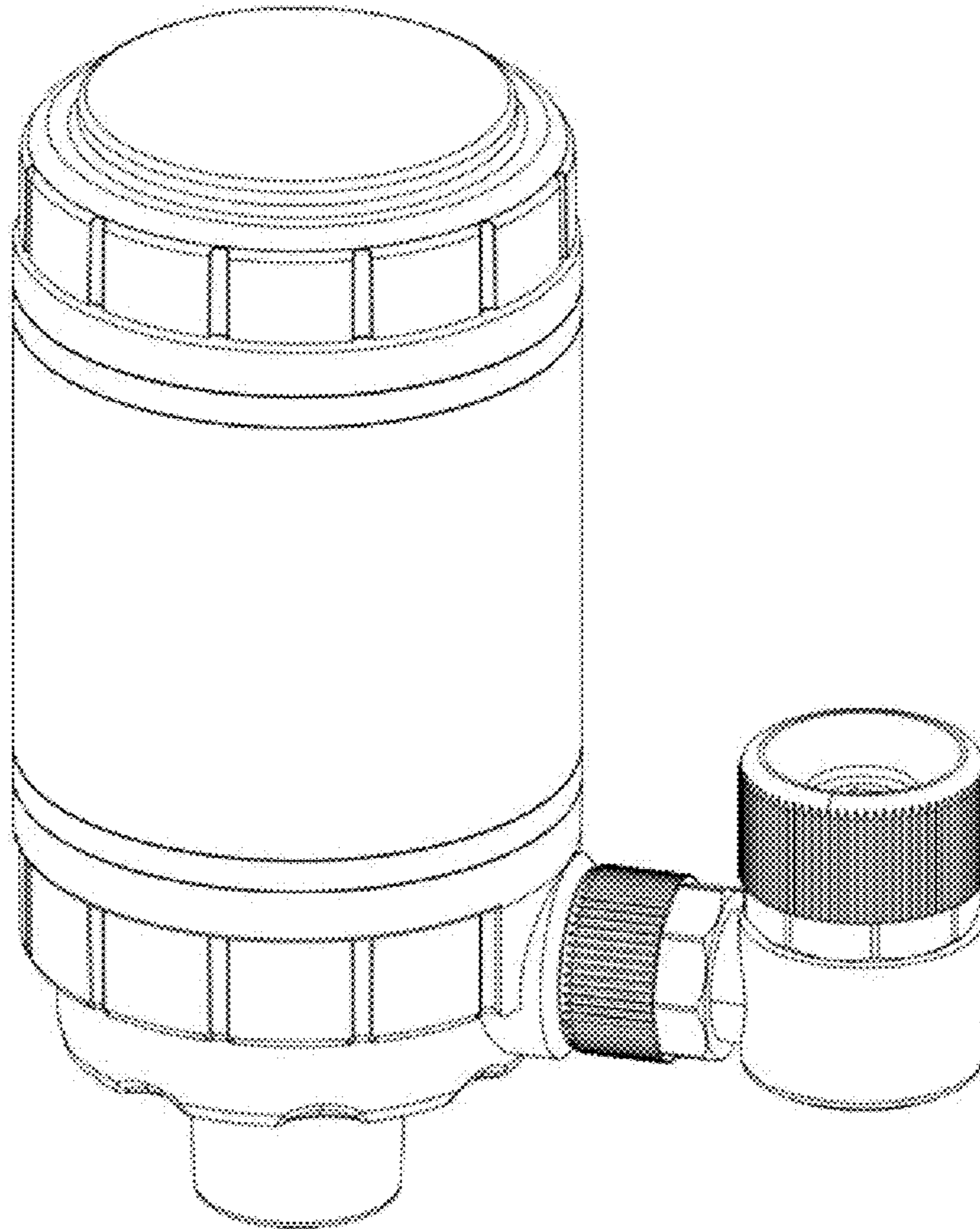
(57) **CLAIM**

The ornamental design for a household water purifier, as shown and described.

DESCRIPTION

FIG. 1 is a bottom view of a household water purifier showing the new design;
FIG. 2 is a top view thereof;
FIG. 3 is a right view thereof;
FIG. 4 is a front view thereof;
FIG. 5 is a left view thereof;
FIG. 6 is a rear view thereof; and,
FIG. 7 is a perspective view thereof.

1 Claim, 6 Drawing Sheets



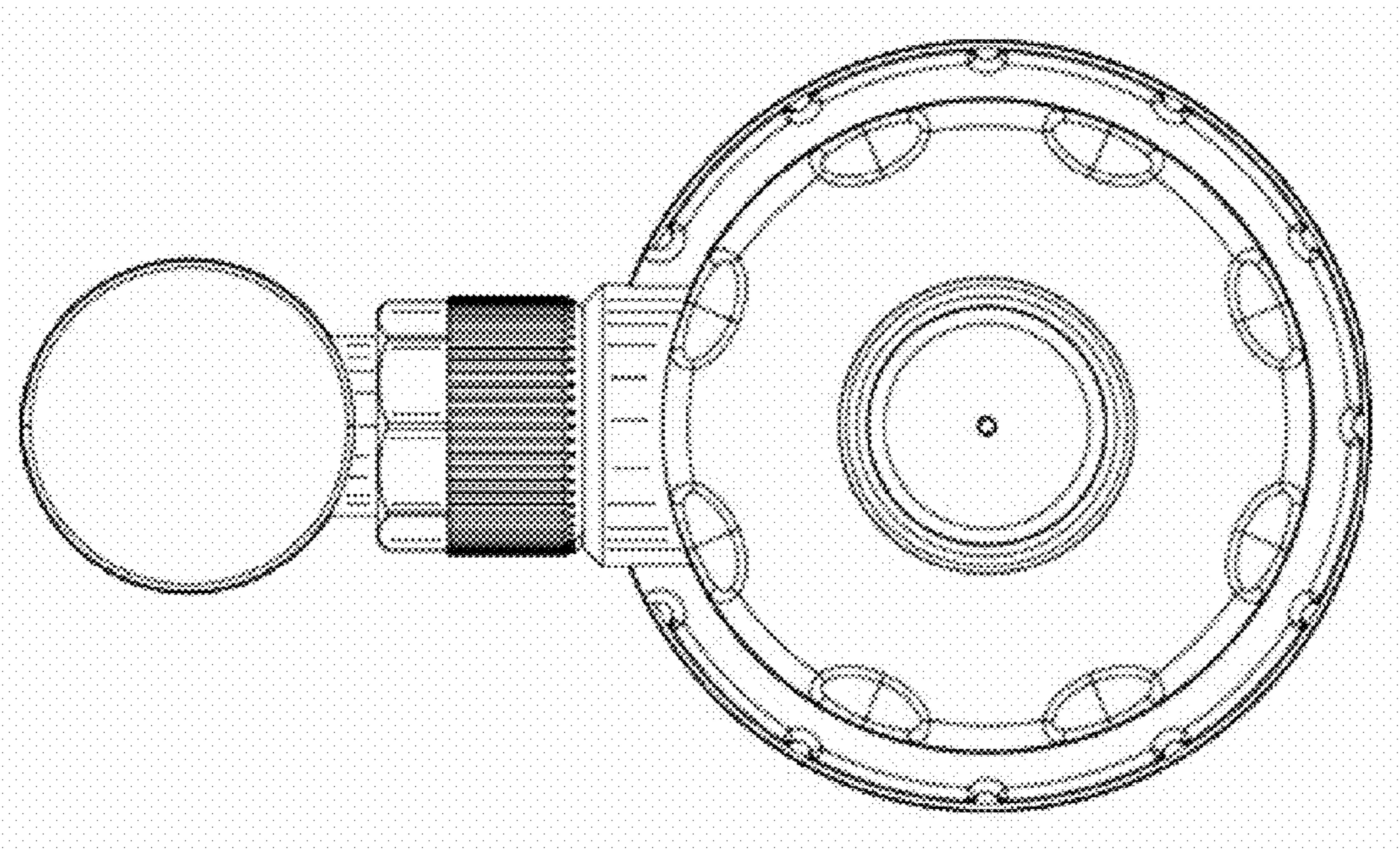


FIG.1

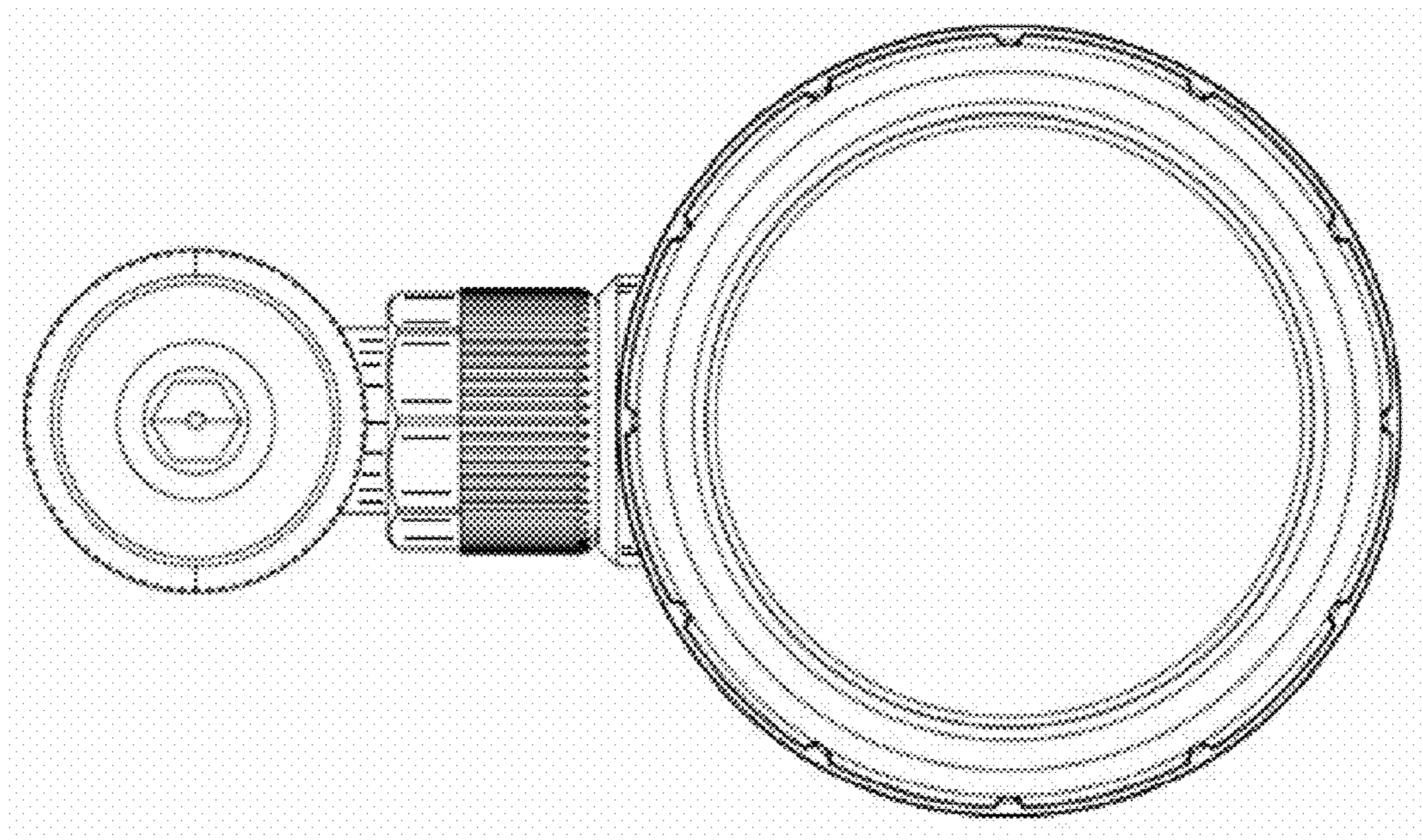


FIG.2

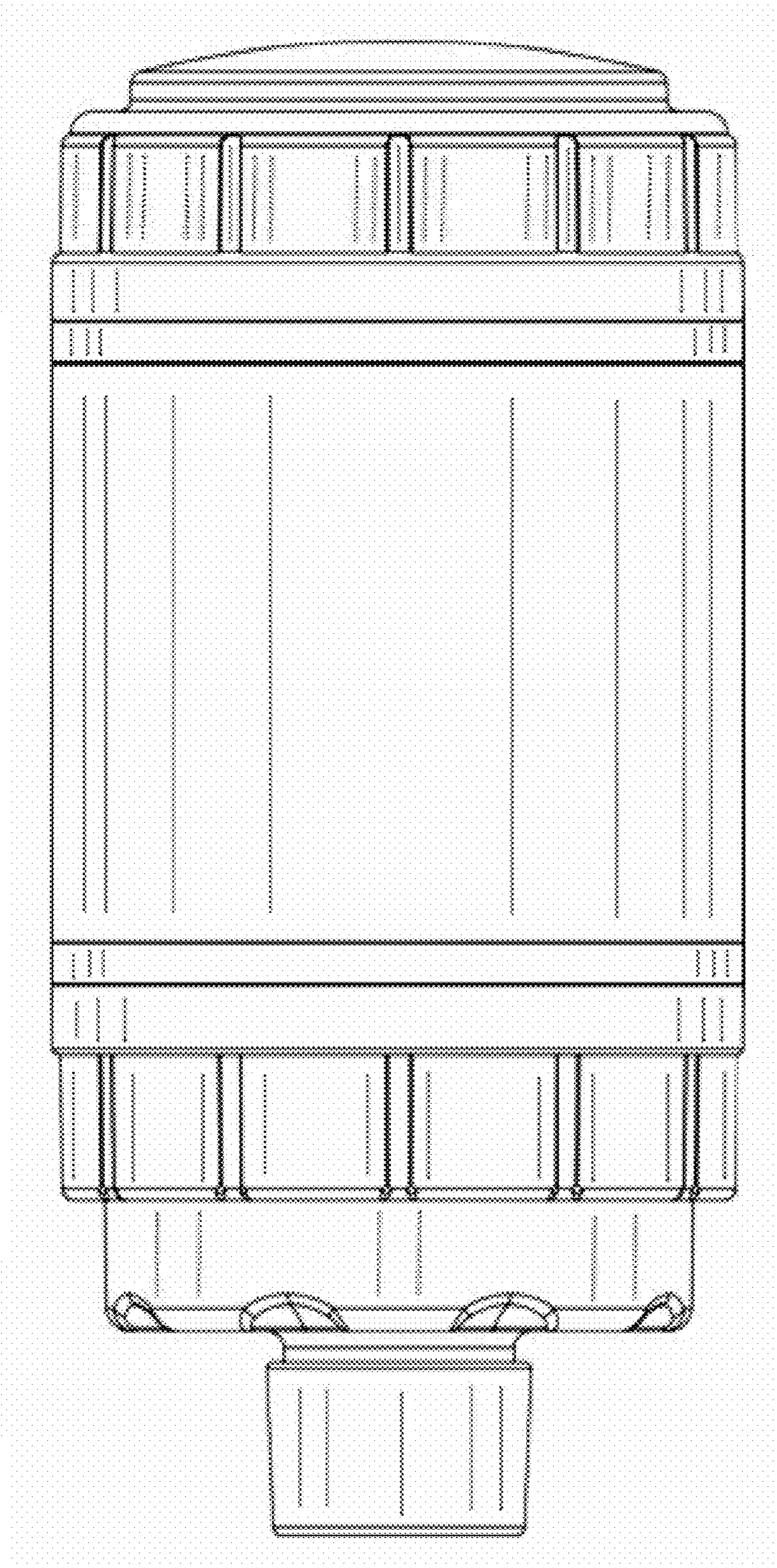


FIG.3

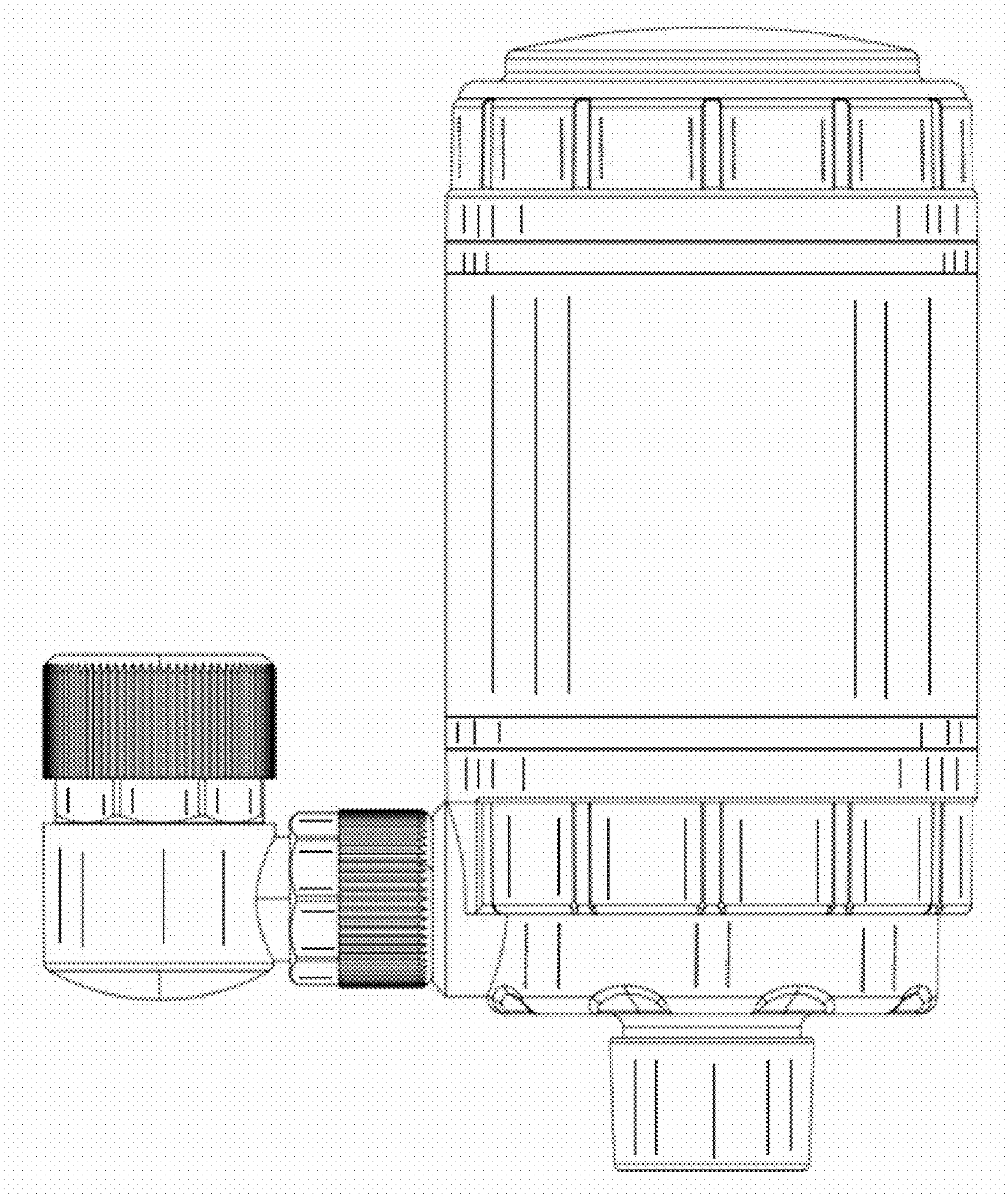


FIG.4

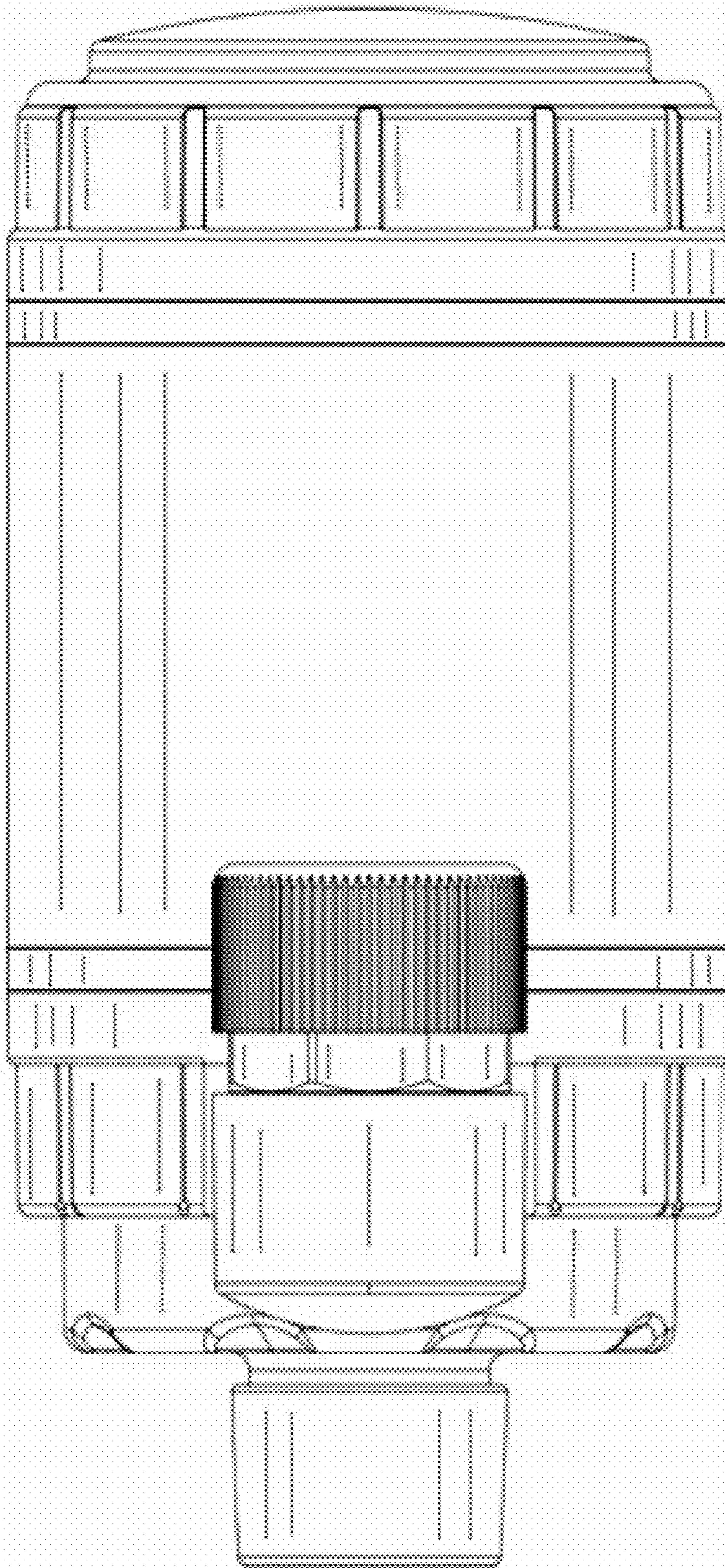


FIG. 5

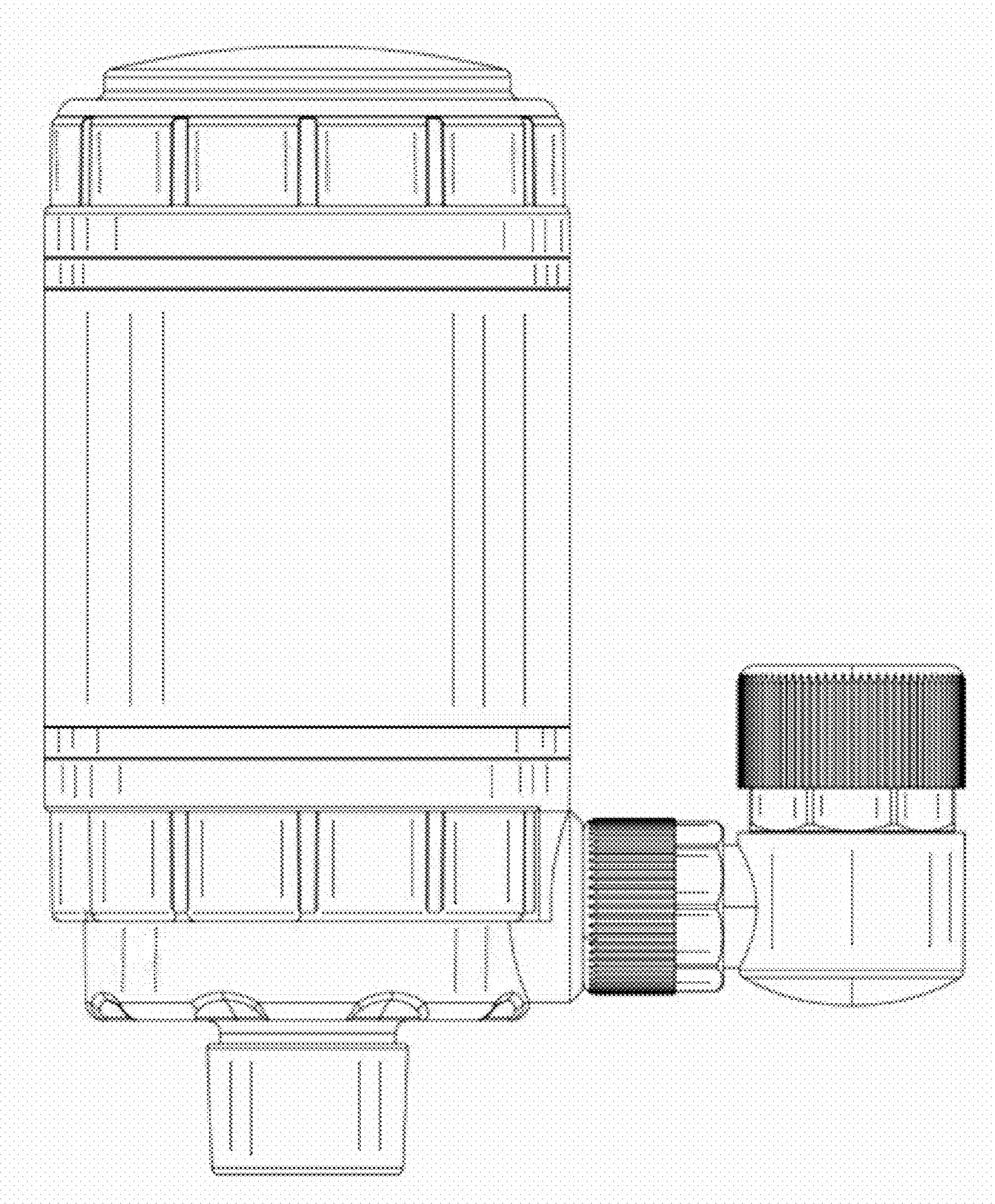


FIG.6

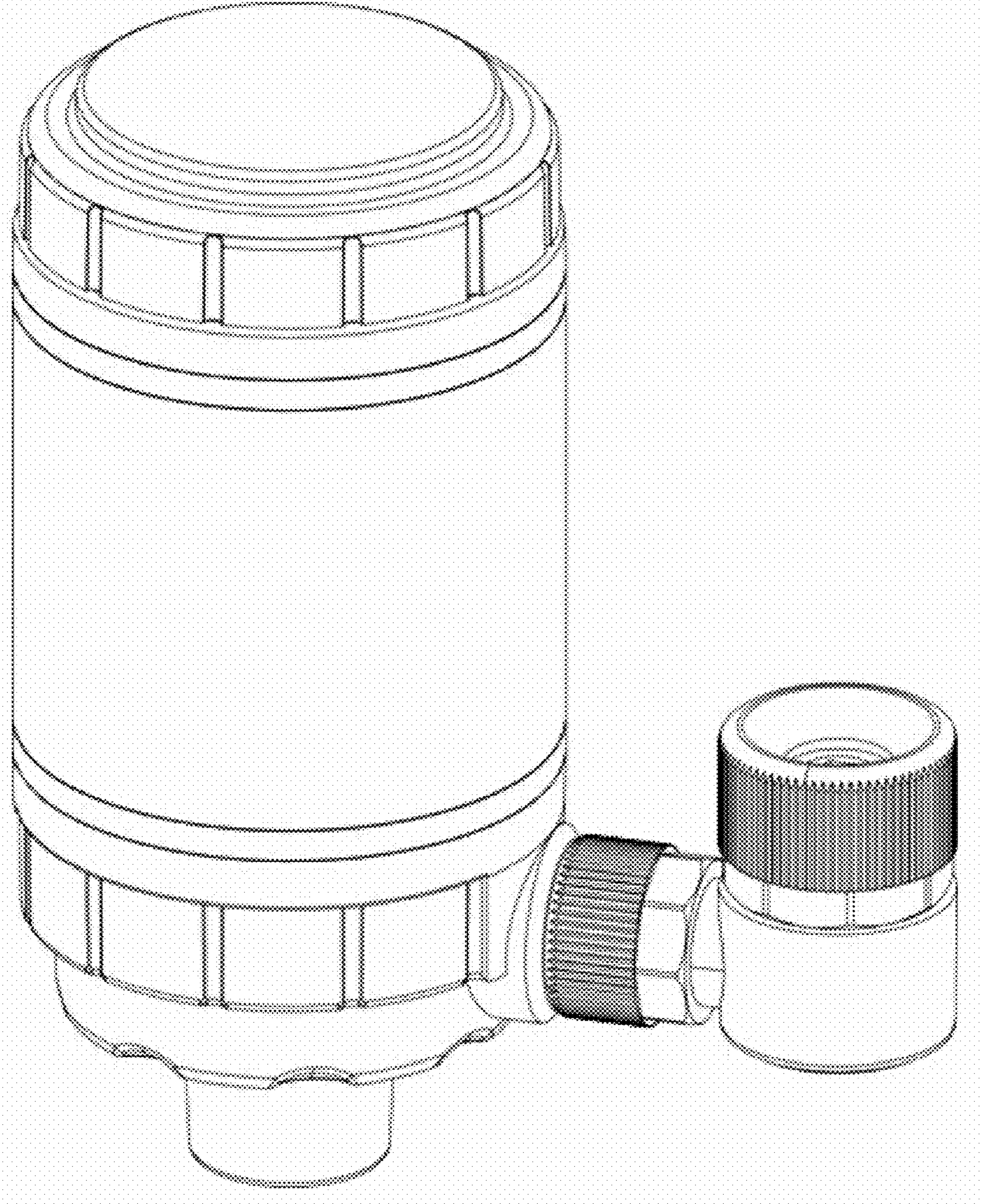


FIG.7