



US00D635639S

(12) **United States Design Patent**
Dzwonczyk

(10) **Patent No.:** **US D635,639 S**

(45) **Date of Patent:** **** Apr. 5, 2011**

(54) **LINER FOR INLET OF UNDERGROUND STORAGE TANKS**

(76) Inventor: **John Gregory Dzwonczyk**, Avon Lake, OH (US)

(**) Term: **14 Years**

(21) Appl. No.: **29/332,519**

(22) Filed: **Feb. 18, 2009**

(51) **LOC (9) Cl.** **23-01**

(52) **U.S. Cl.** **D23/206**

(58) **Field of Classification Search** D23/202-206;
220/582, 567.1, 567.2; 405/52, 53

See application file for complete search history.

(56) **References Cited**

U.S. PATENT DOCUMENTS

3,713,559	A *	1/1973	Thillet	220/582
4,494,666	A *	1/1985	Cooper et al.	220/582
5,772,062	A *	6/1998	Gramss	220/829
5,850,934	A *	12/1998	Kumar	220/582
6,196,761	B1 *	3/2001	Stanton et al.	405/53
7,150,582	B2 *	12/2006	Burwell	405/52

* cited by examiner

Primary Examiner — Robin V Webster

(74) *Attorney, Agent, or Firm* — Smith Patent Office

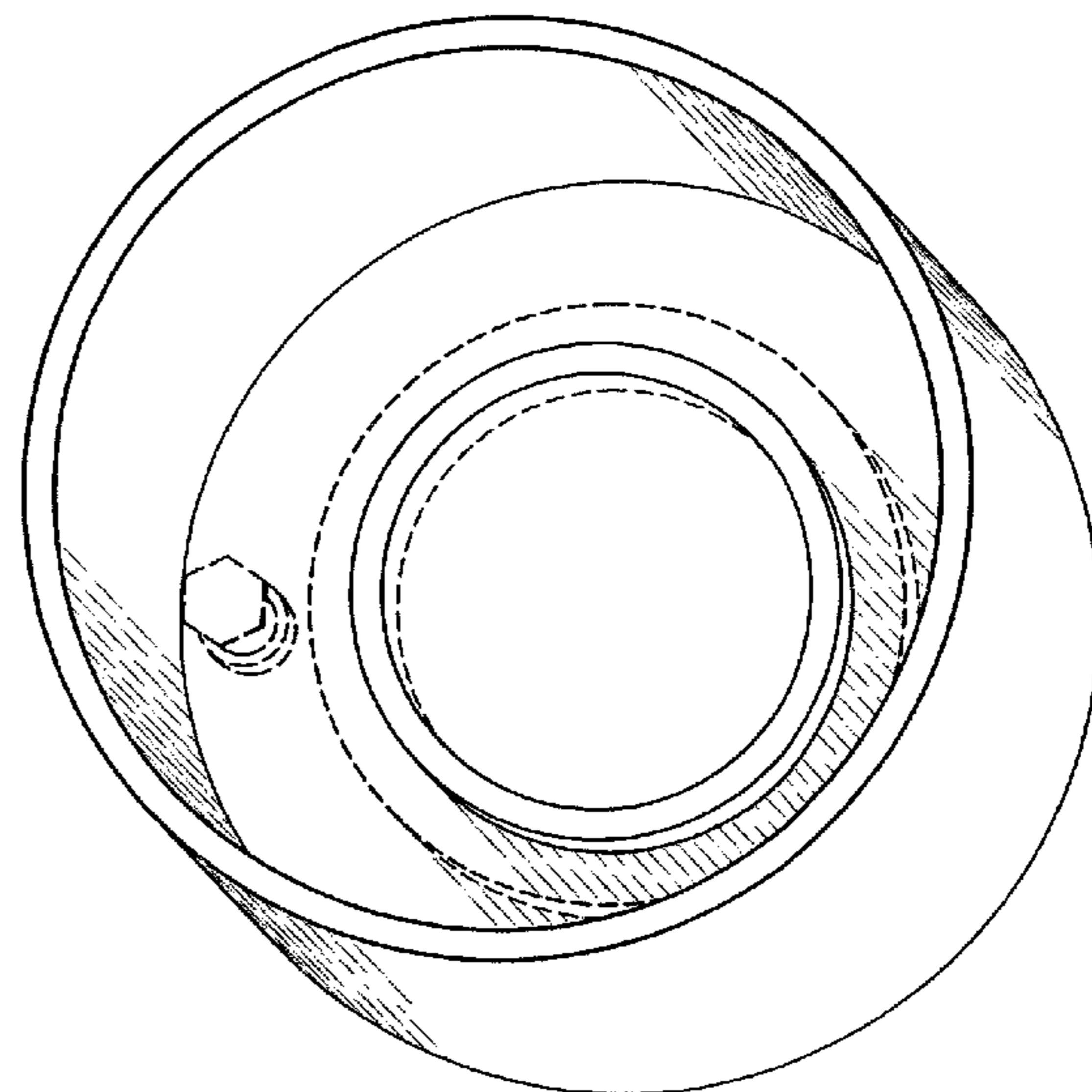
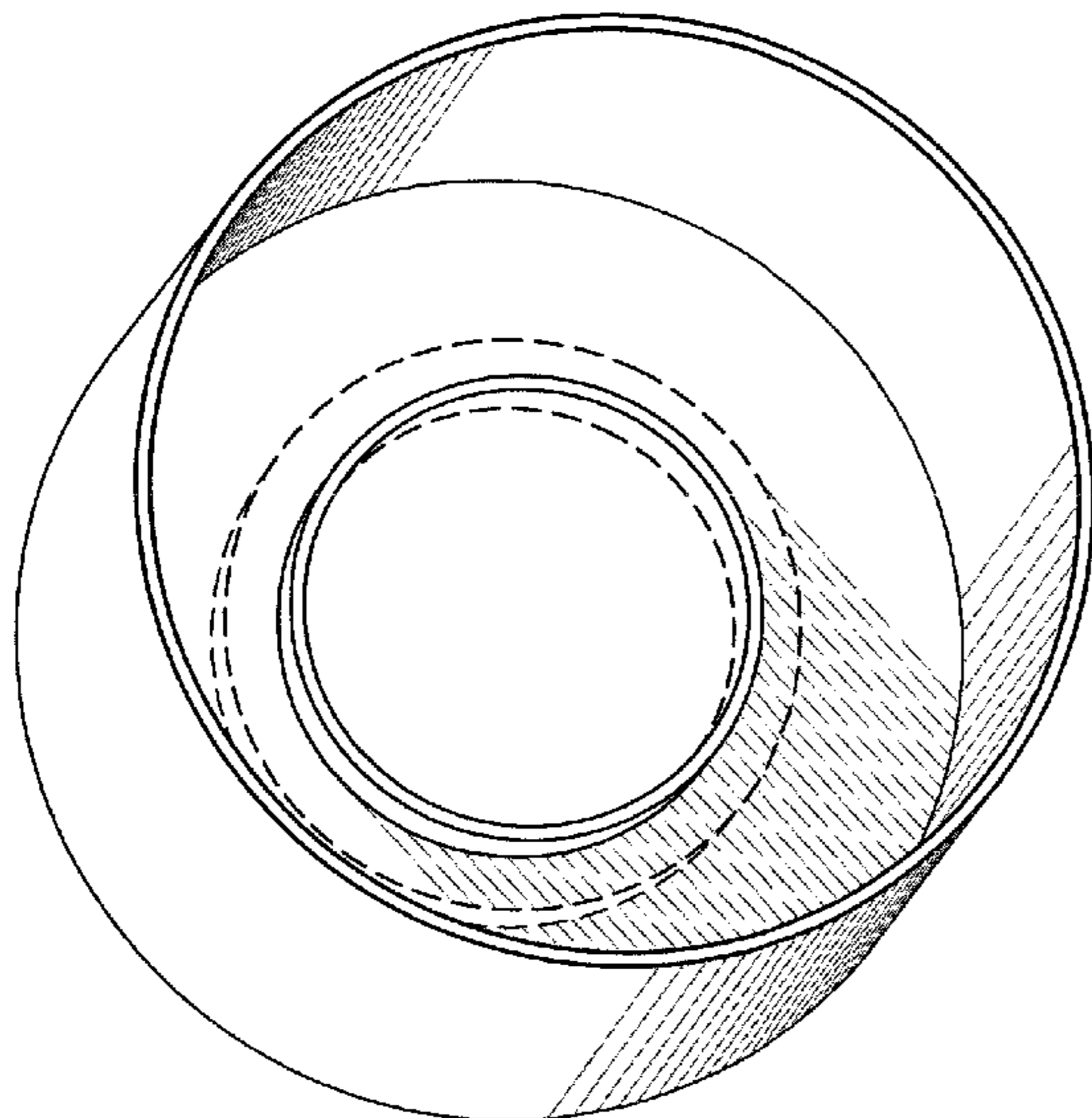
(57) **CLAIM**

I claim the ornamental design for the liner for inlet of underground storage tanks, as shown and described.

DESCRIPTION

FIG. 1 is a front perspective view of a liner for inlet of underground storage tanks showing my new design;
 FIG. 2 is a top plan view thereof;
 FIG. 3 is a bottom plan view thereof;
 FIG. 4 is a left side elevation view thereof;
 FIG. 5 is a front elevation view thereof;
 FIG. 6 is a right side elevation view thereof;
 FIG. 7 is a rear elevation view thereof;
 FIG. 8 is a top perspective view thereof;
 FIG. 9 is a bottom perspective view thereof;
 FIG. 10 is a front perspective view of a liner for inlet of underground storage tanks according to another embodiment of my new design;
 FIG. 11 is a top plan view thereof;
 FIG. 12 is a bottom plan view thereof;
 FIG. 13 is a left side elevation view thereof;
 FIG. 14 is a front elevation view thereof;
 FIG. 15 is a right side elevation view thereof;
 FIG. 16 is a rear elevation view thereof;
 FIG. 17 is a top perspective view thereof; and,
 FIG. 18 is a bottom perspective view thereof.
 The broken line showing of the environment is for illustrative purpose only and forms no part of the claimed design.

1 Claim, 18 Drawing Sheets



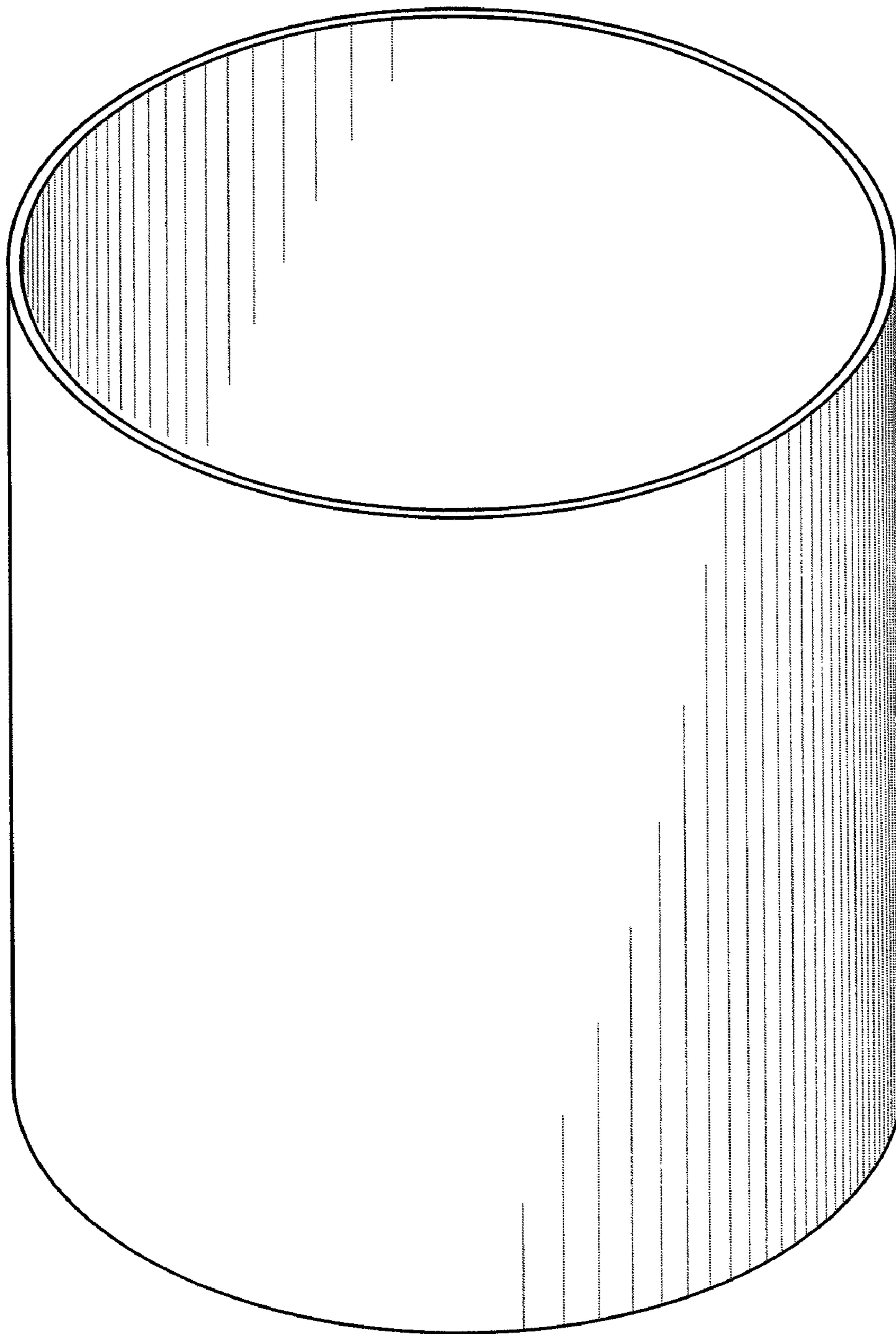


FIGURE 1

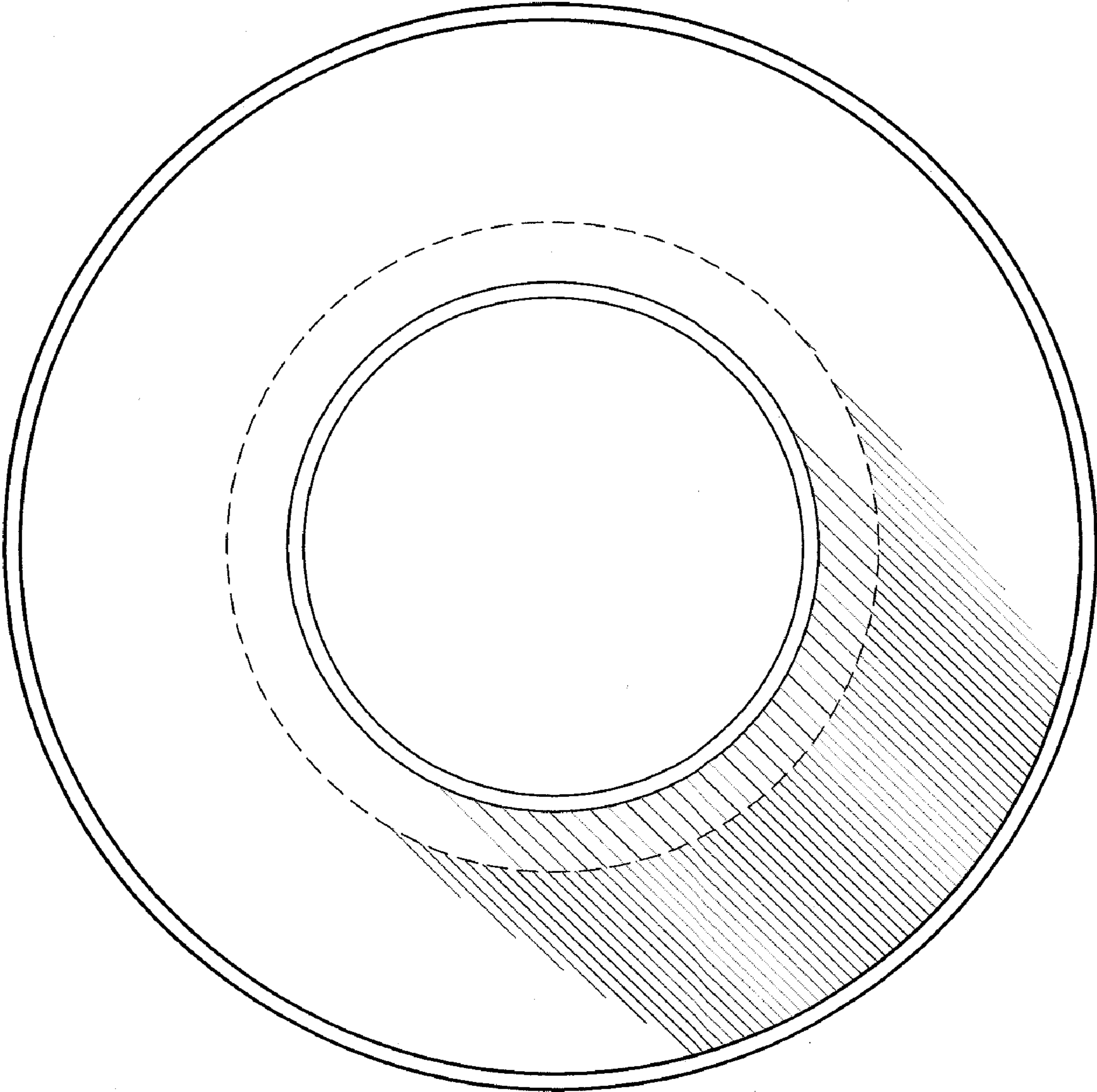


FIGURE 2

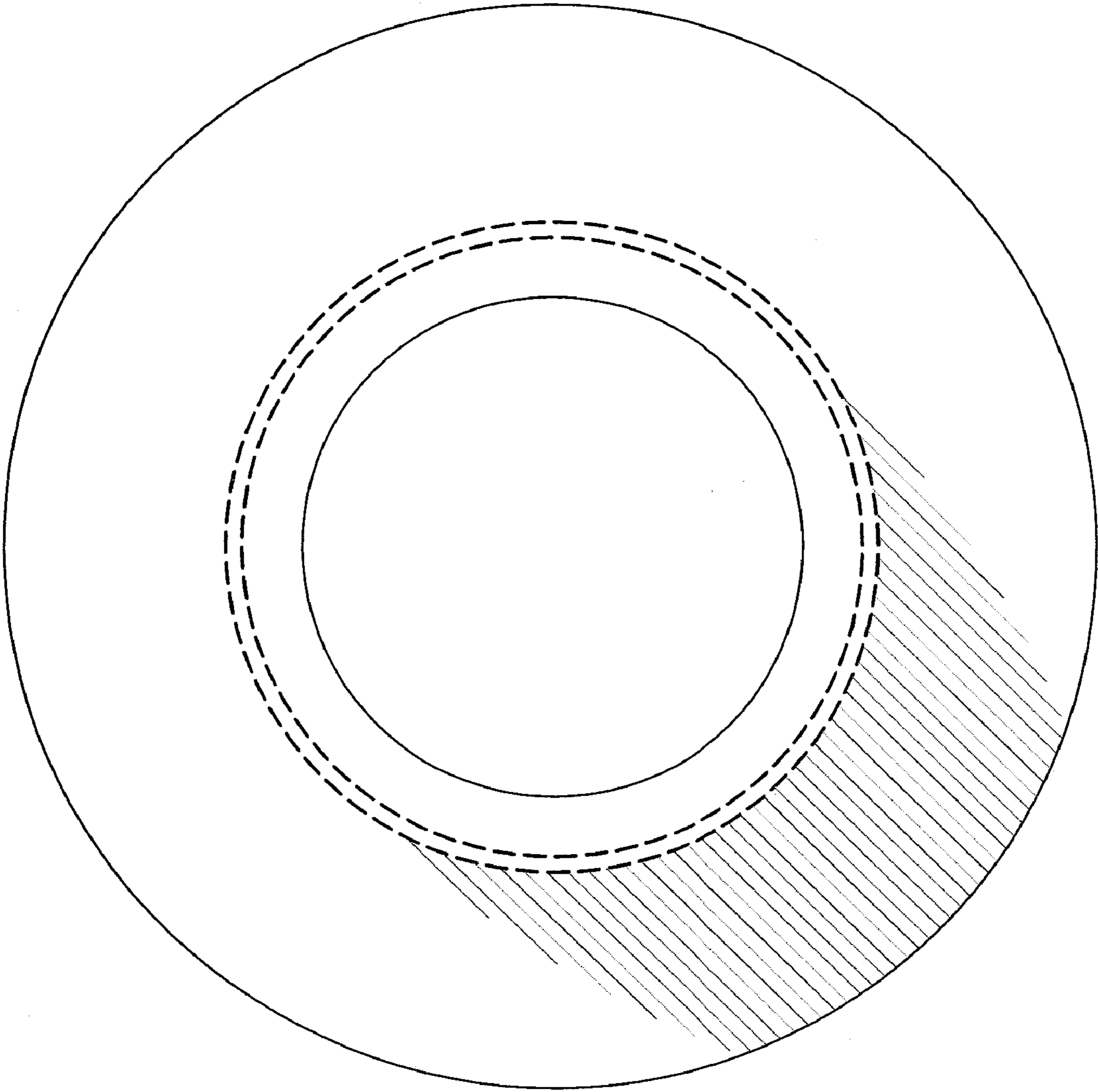


FIGURE 3

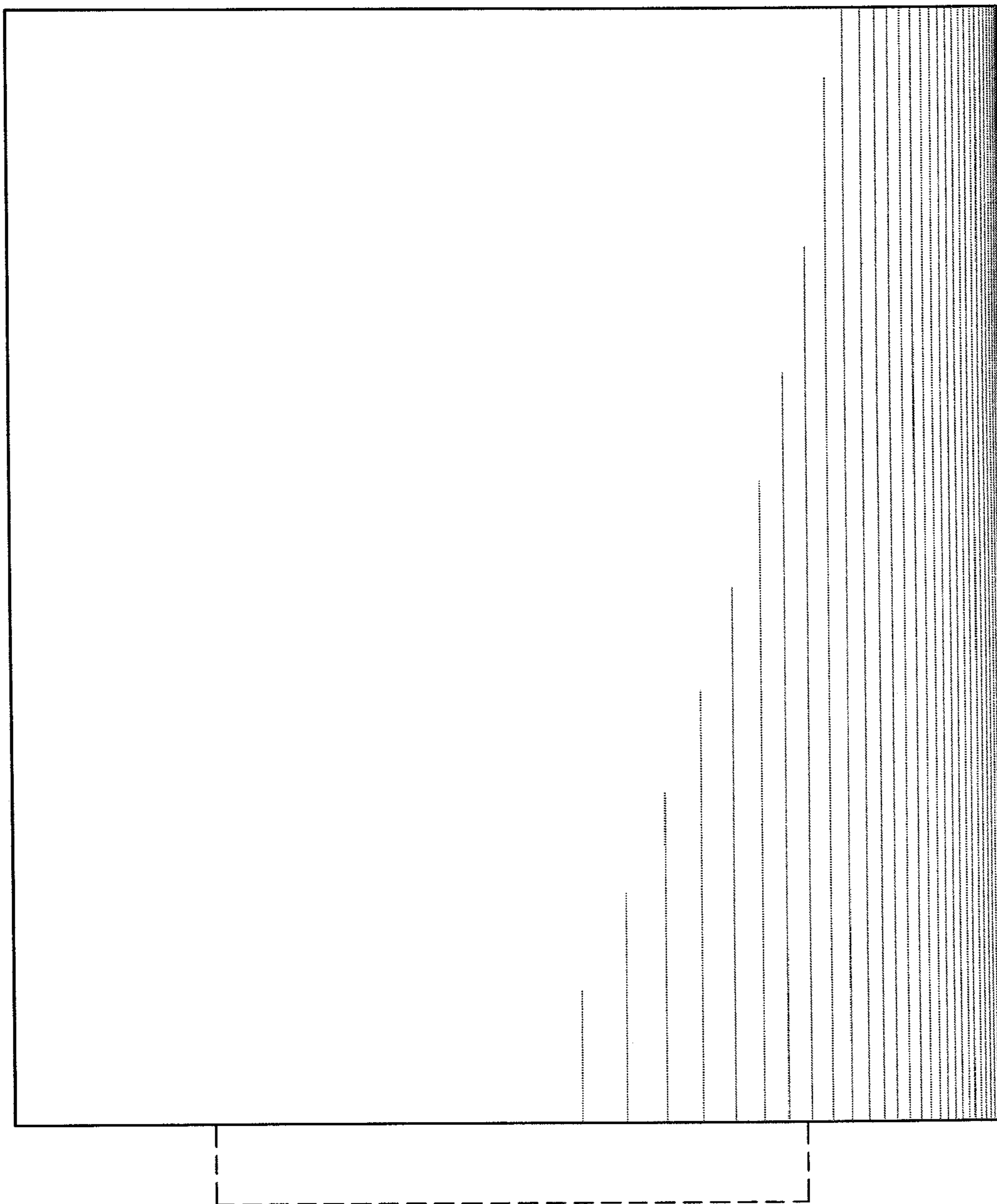


FIGURE 4

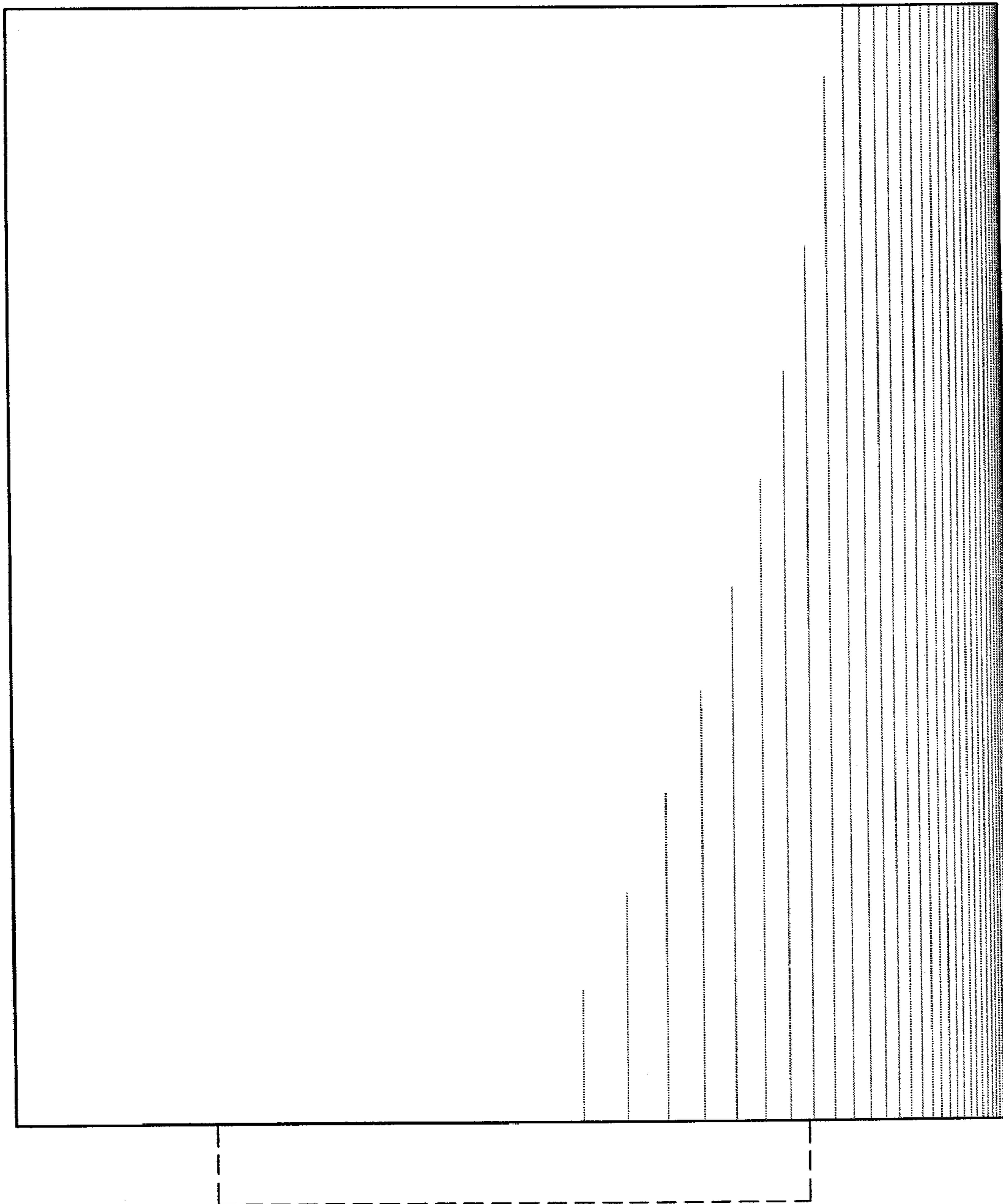


FIGURE 5

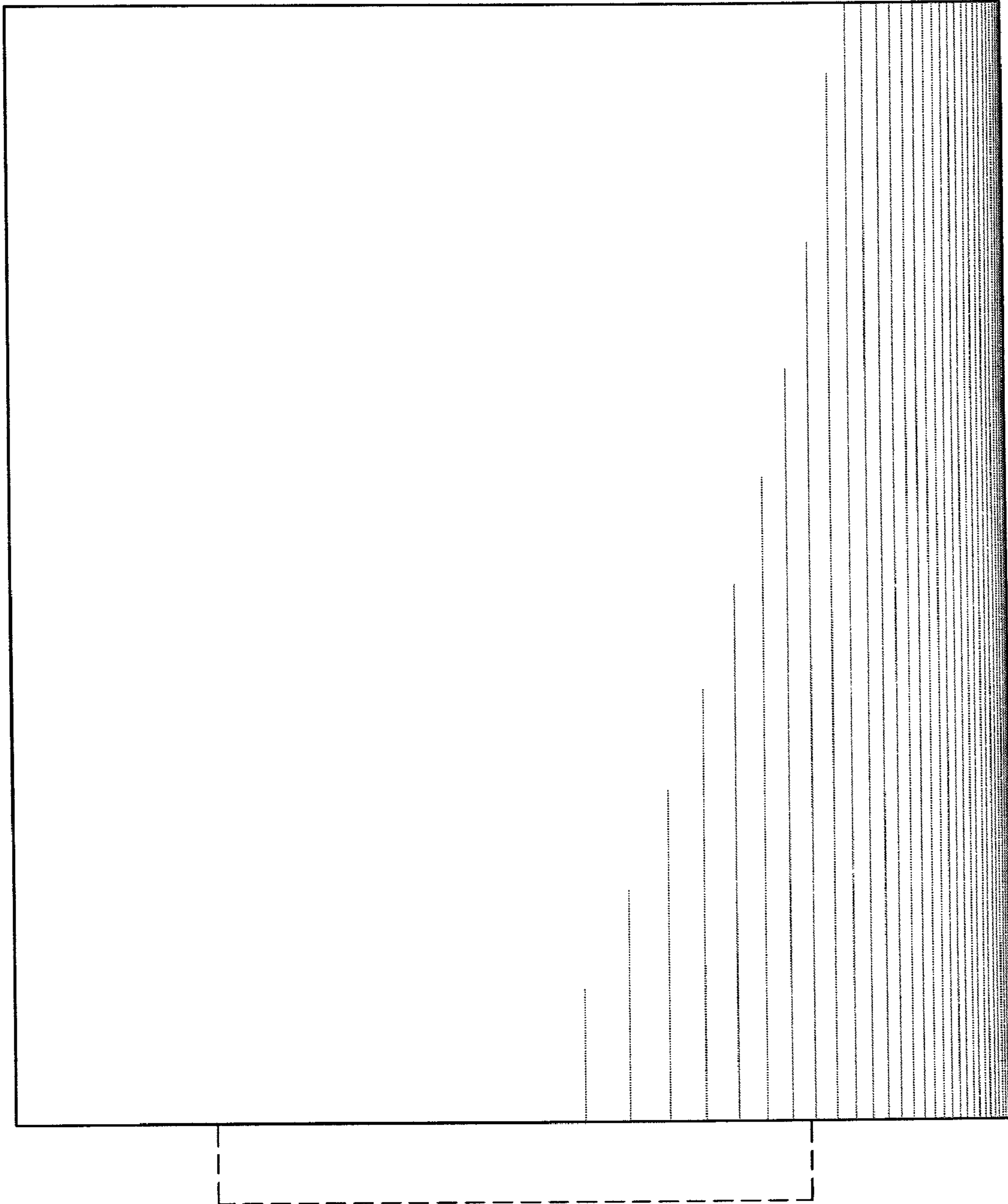


FIGURE 6

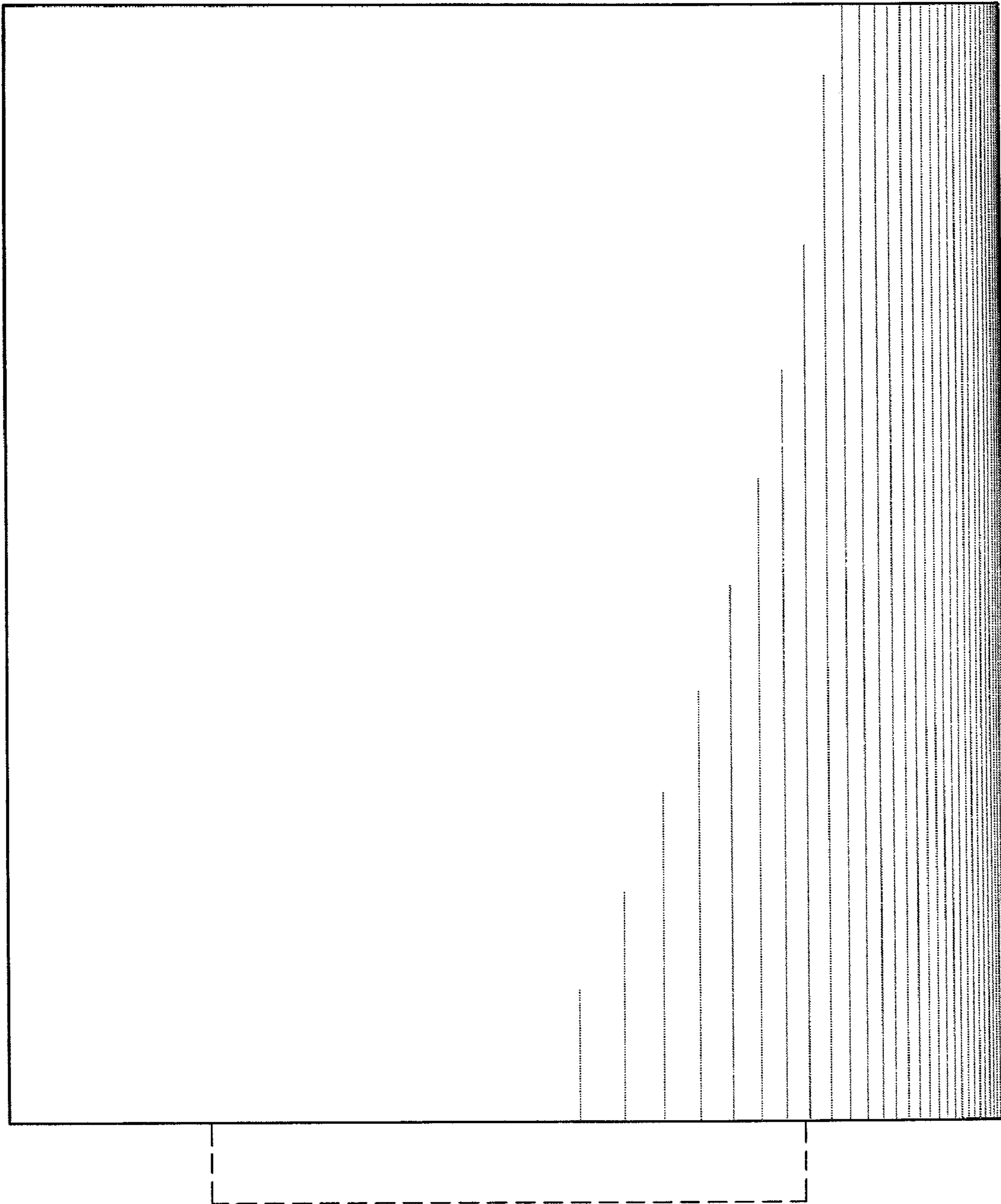


FIGURE 7

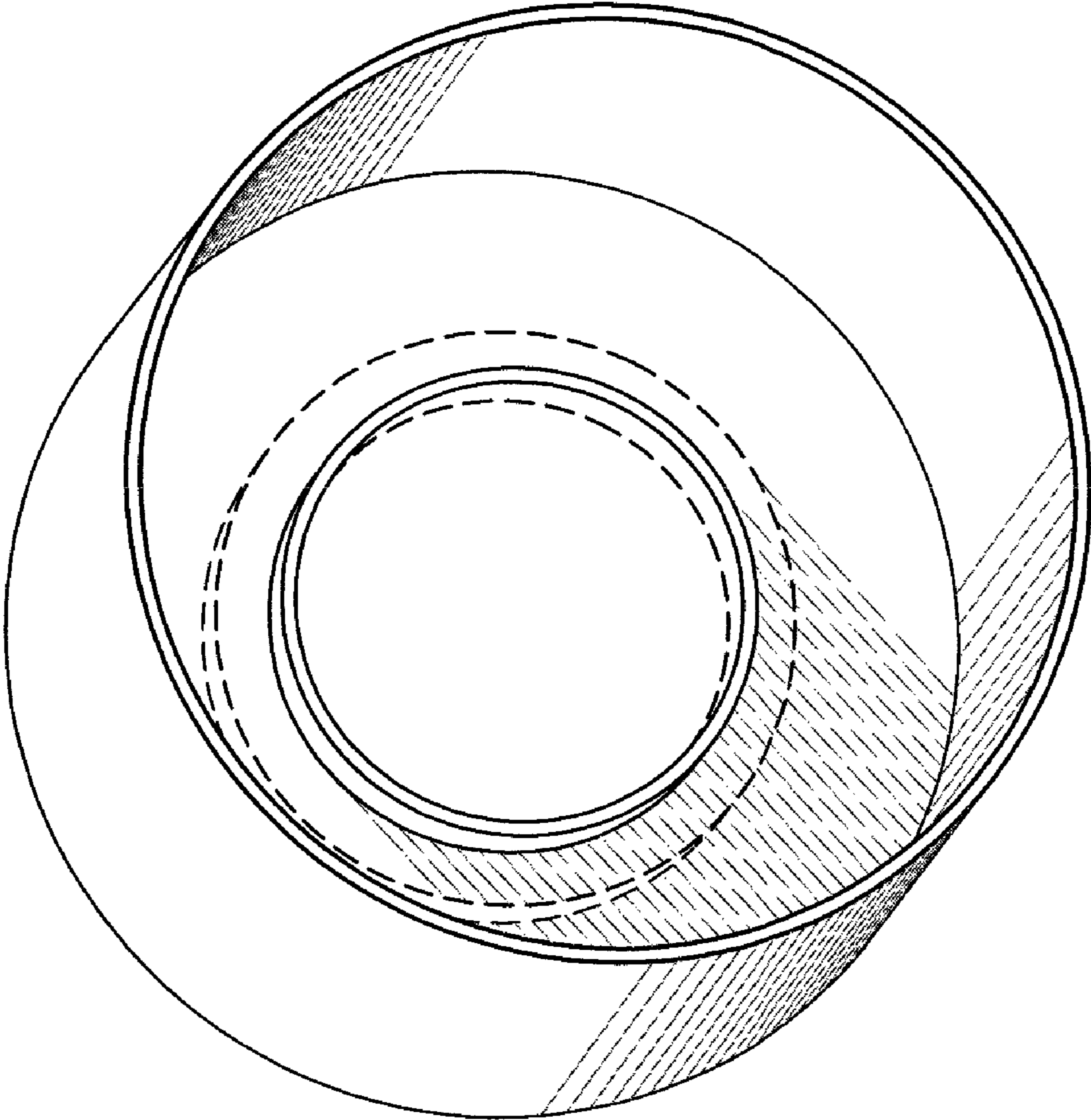


FIGURE 8

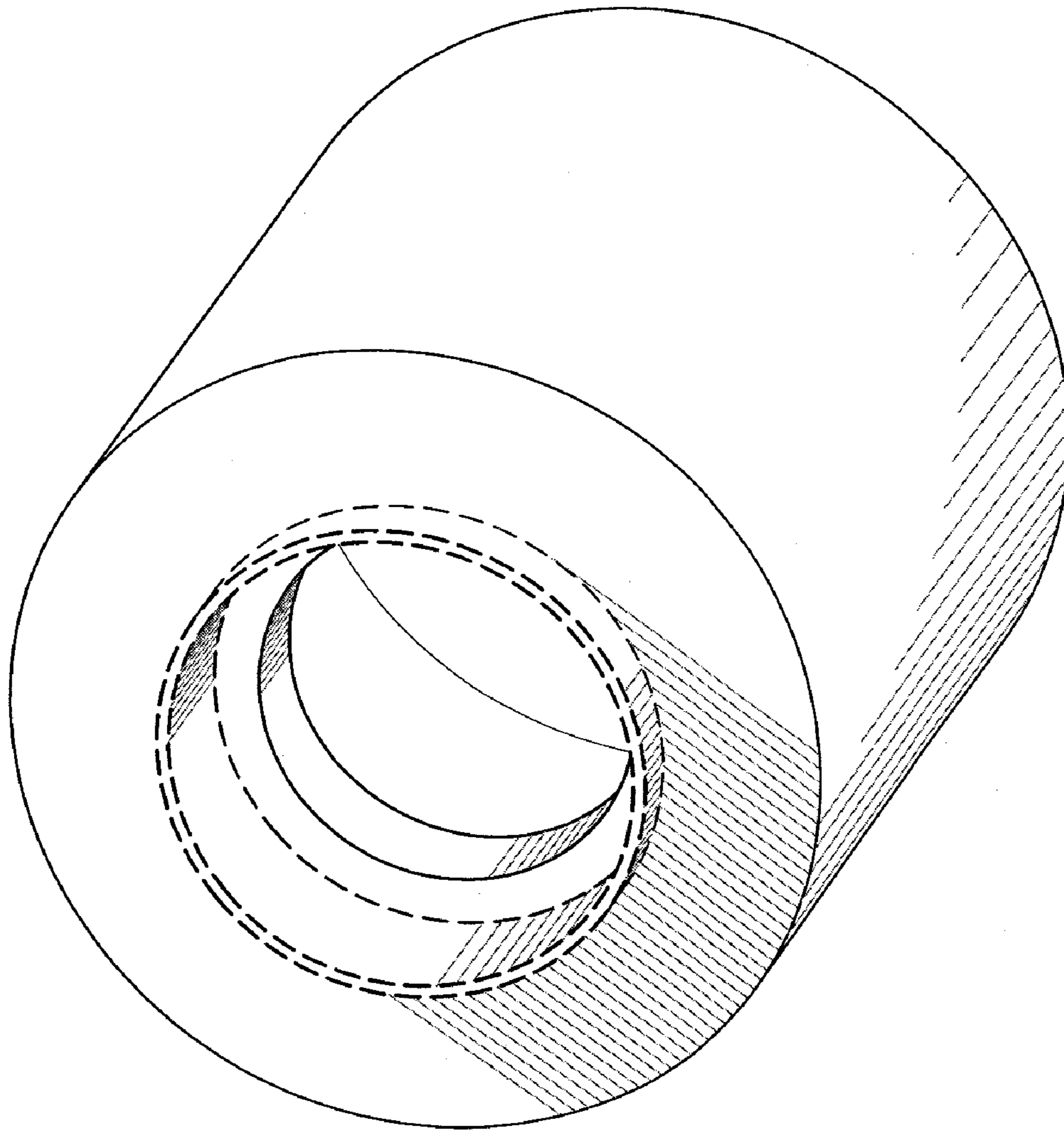


FIGURE 9

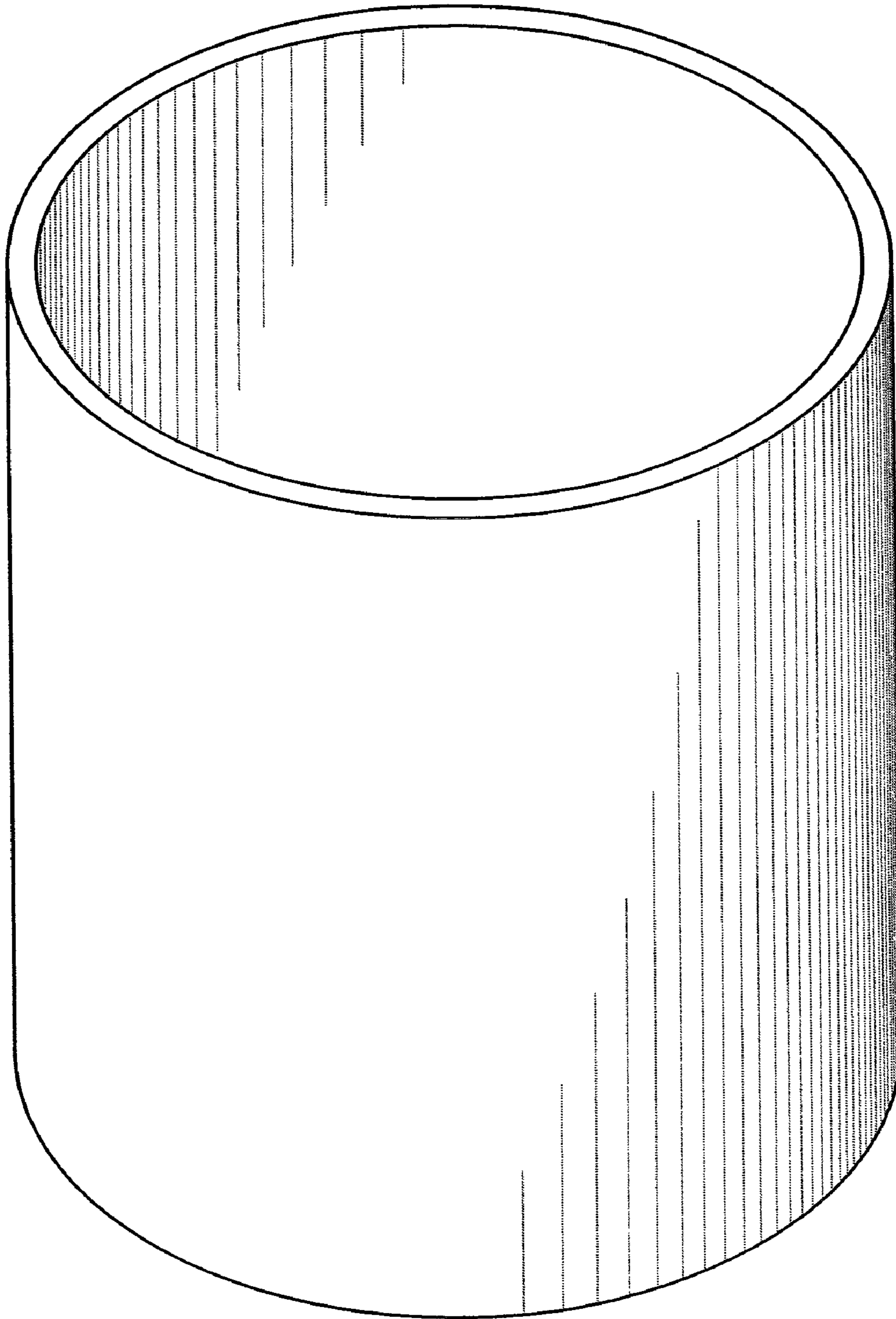


FIGURE 10

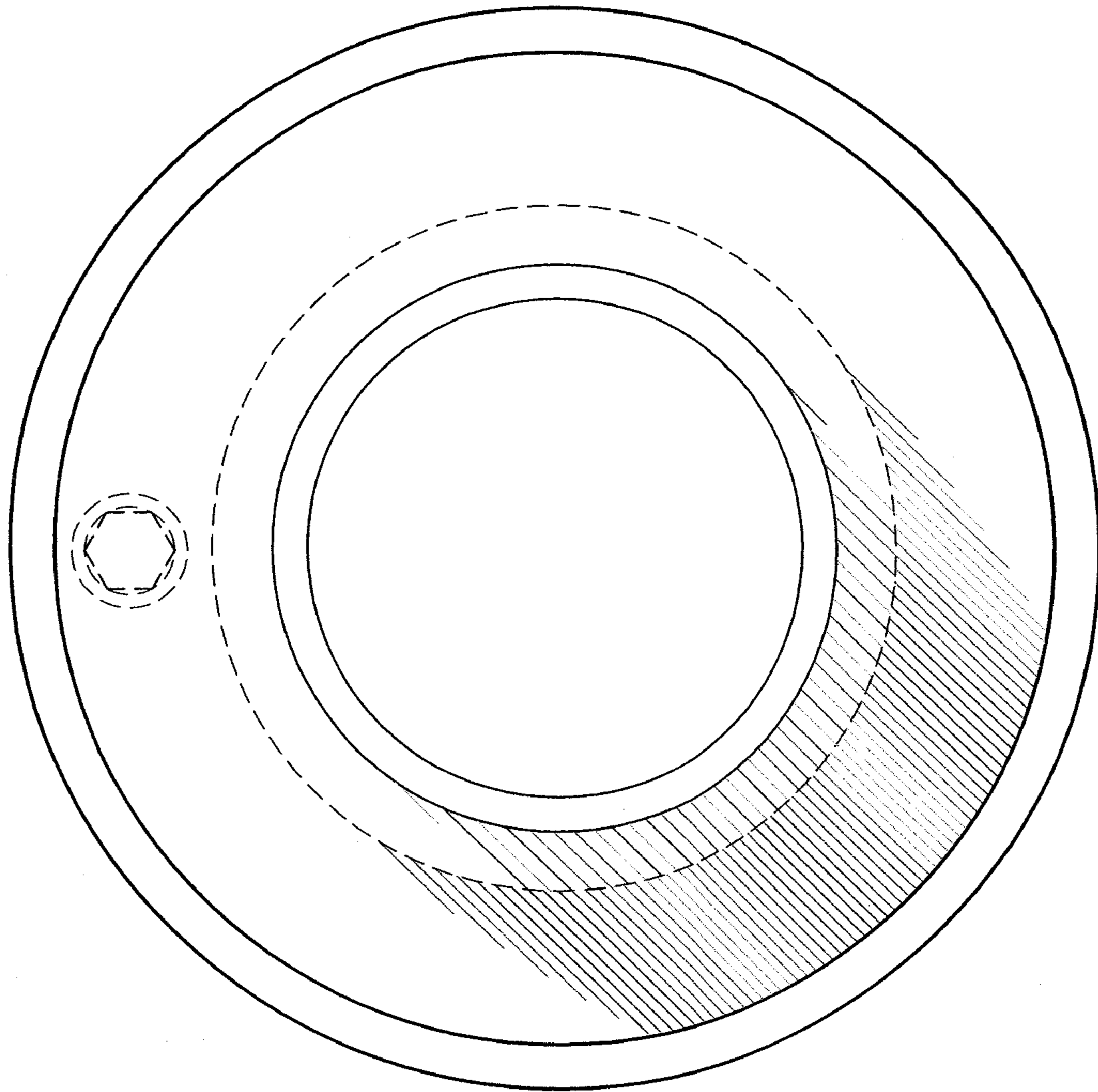


FIGURE 11

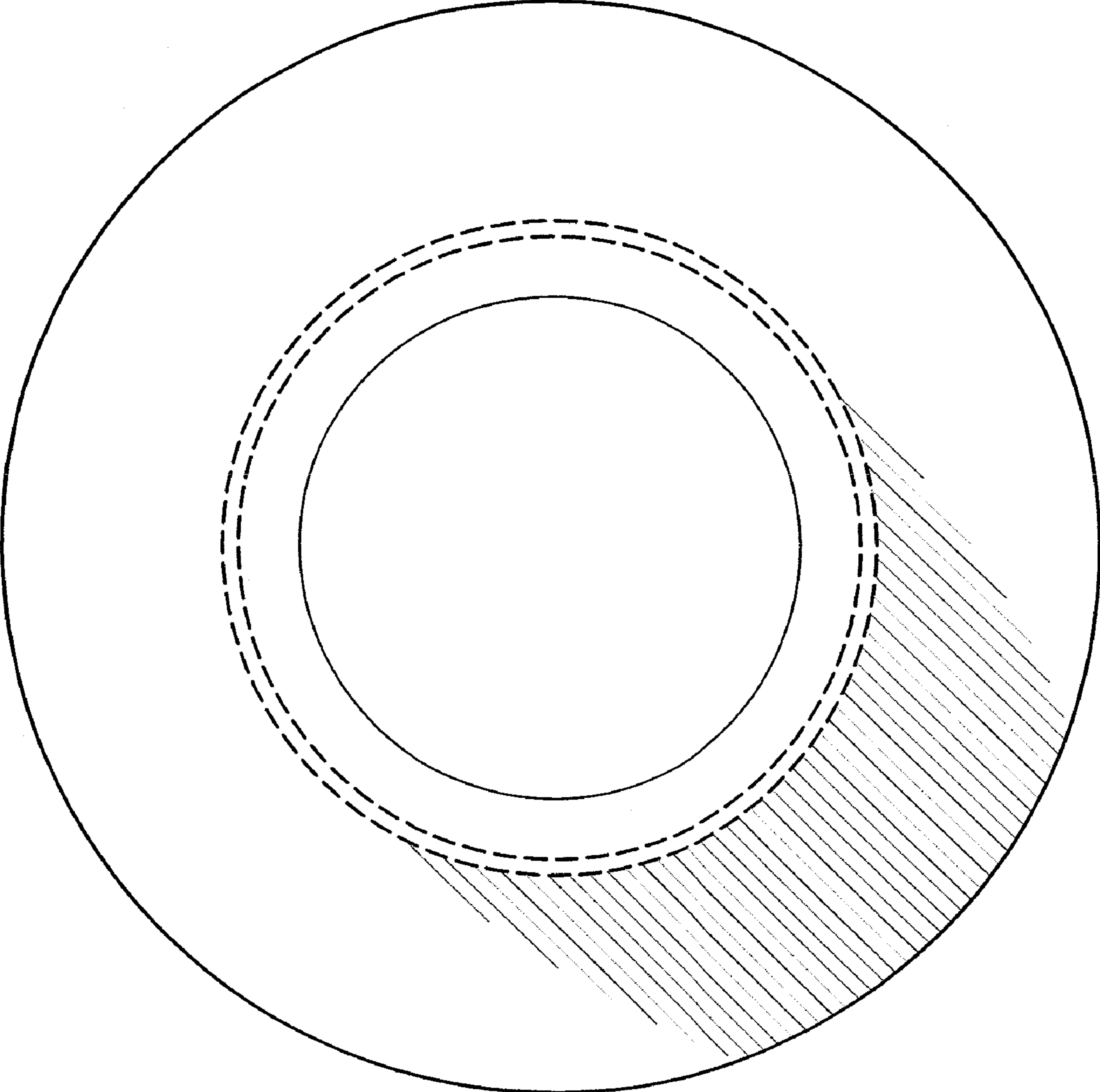


FIGURE 12

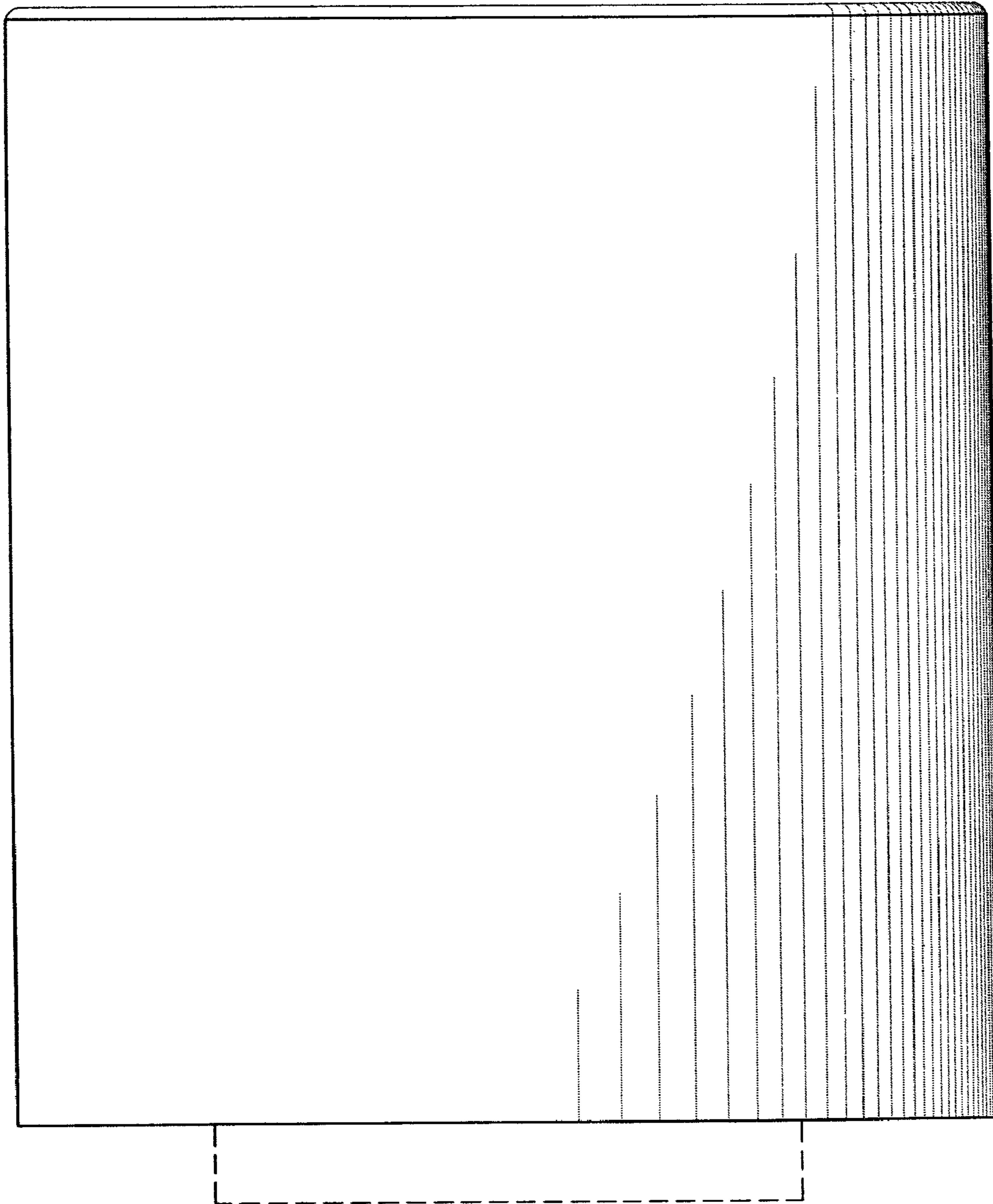


FIGURE 13

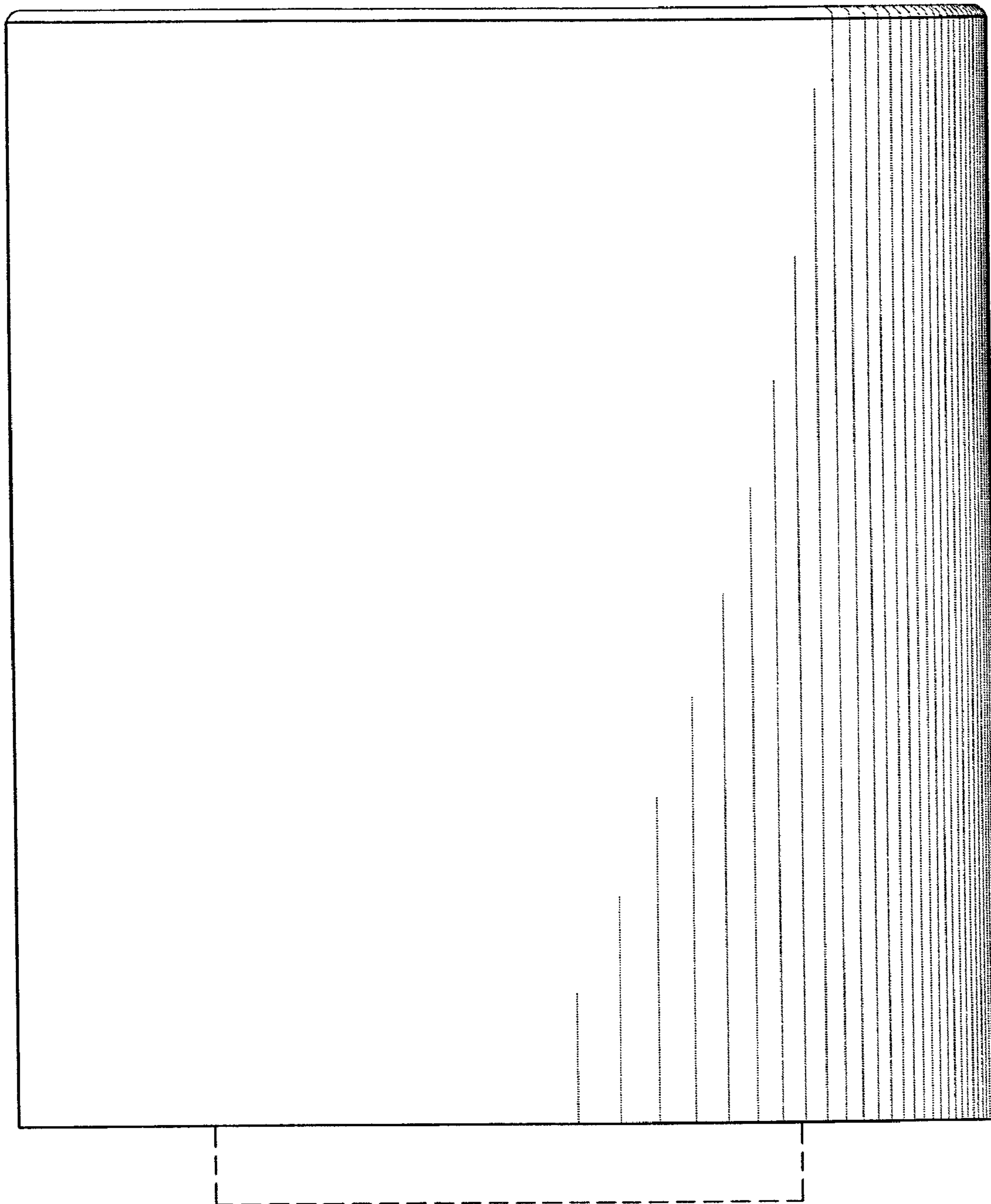


FIGURE 14

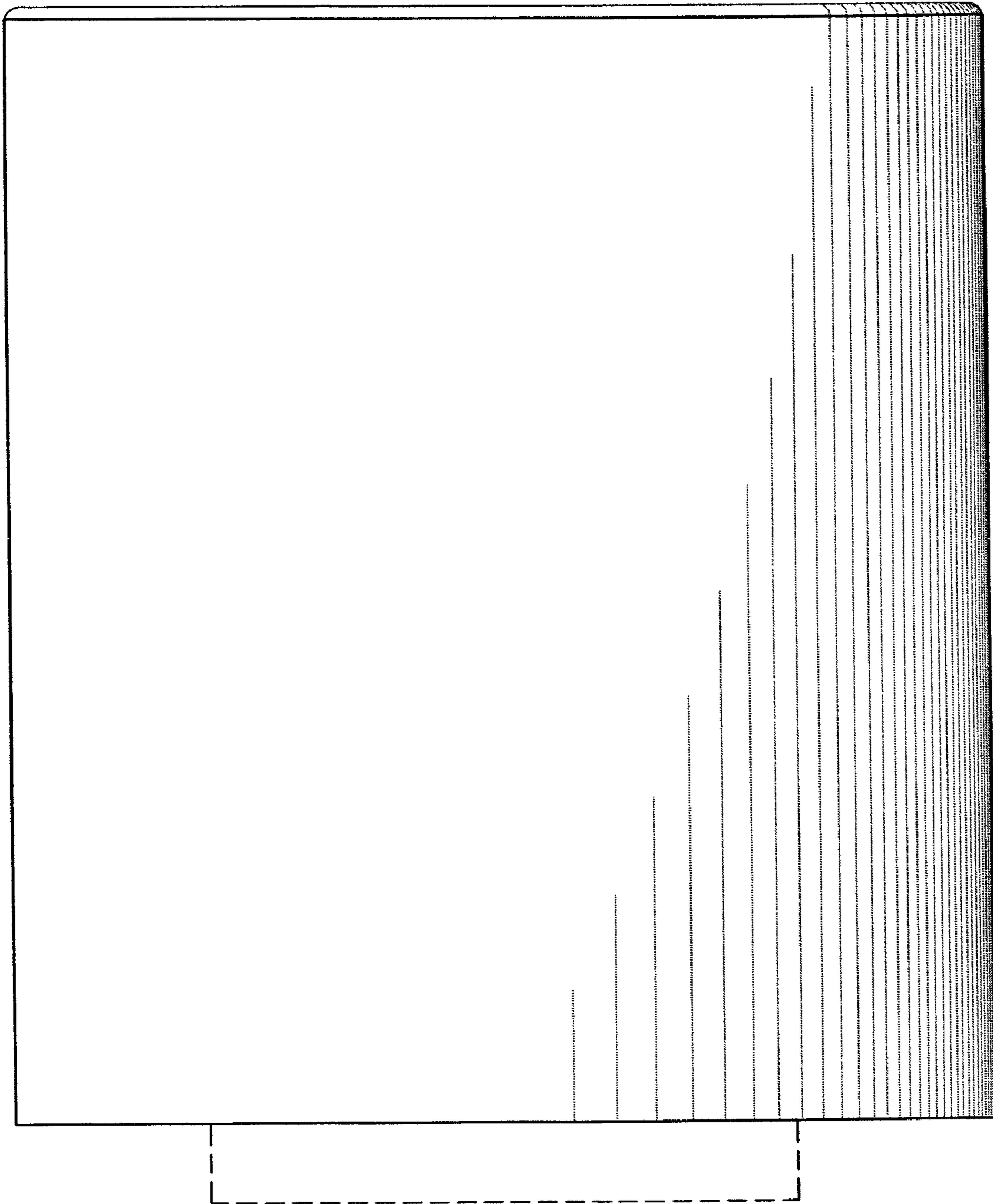


FIGURE 15

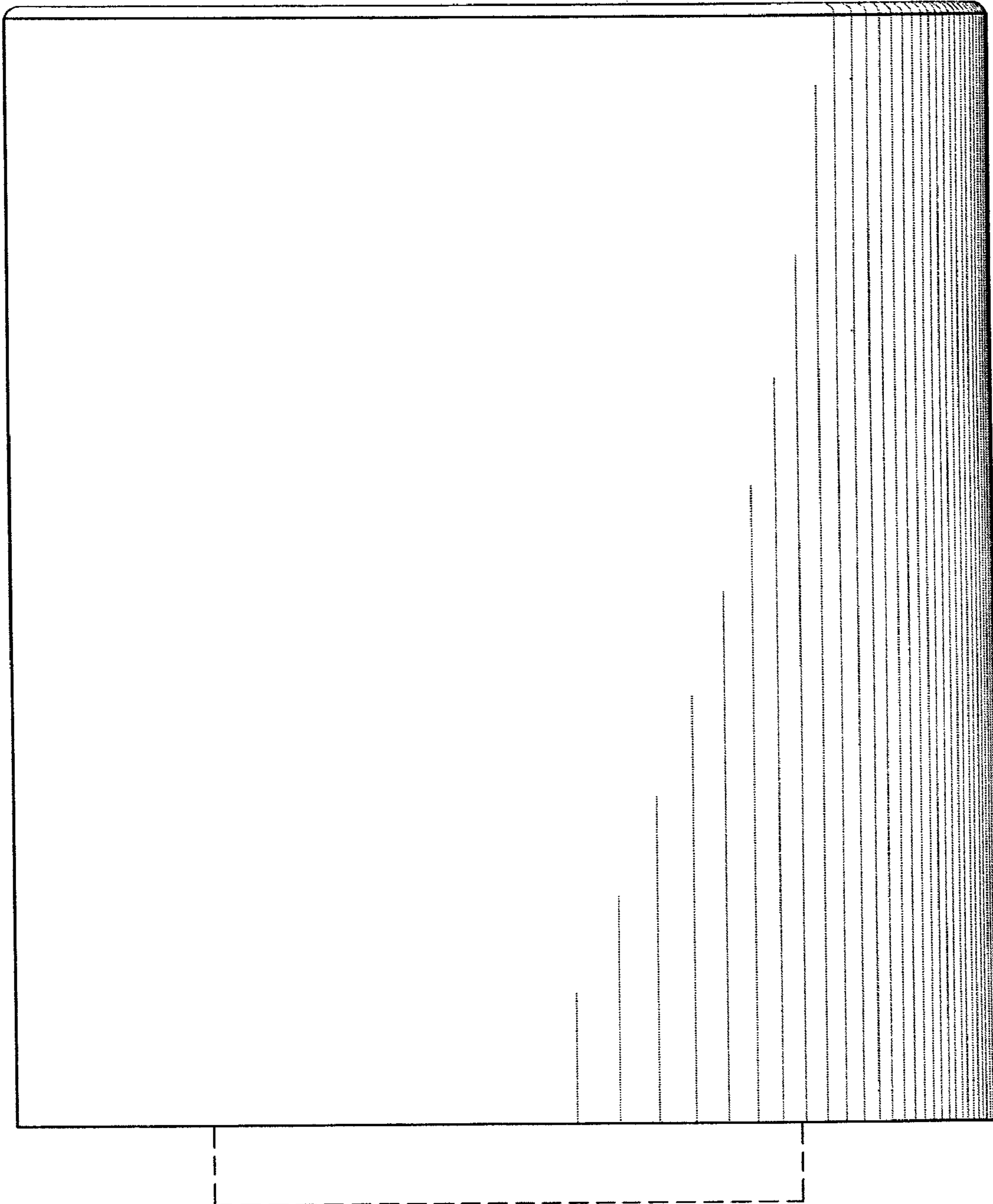


FIGURE 16

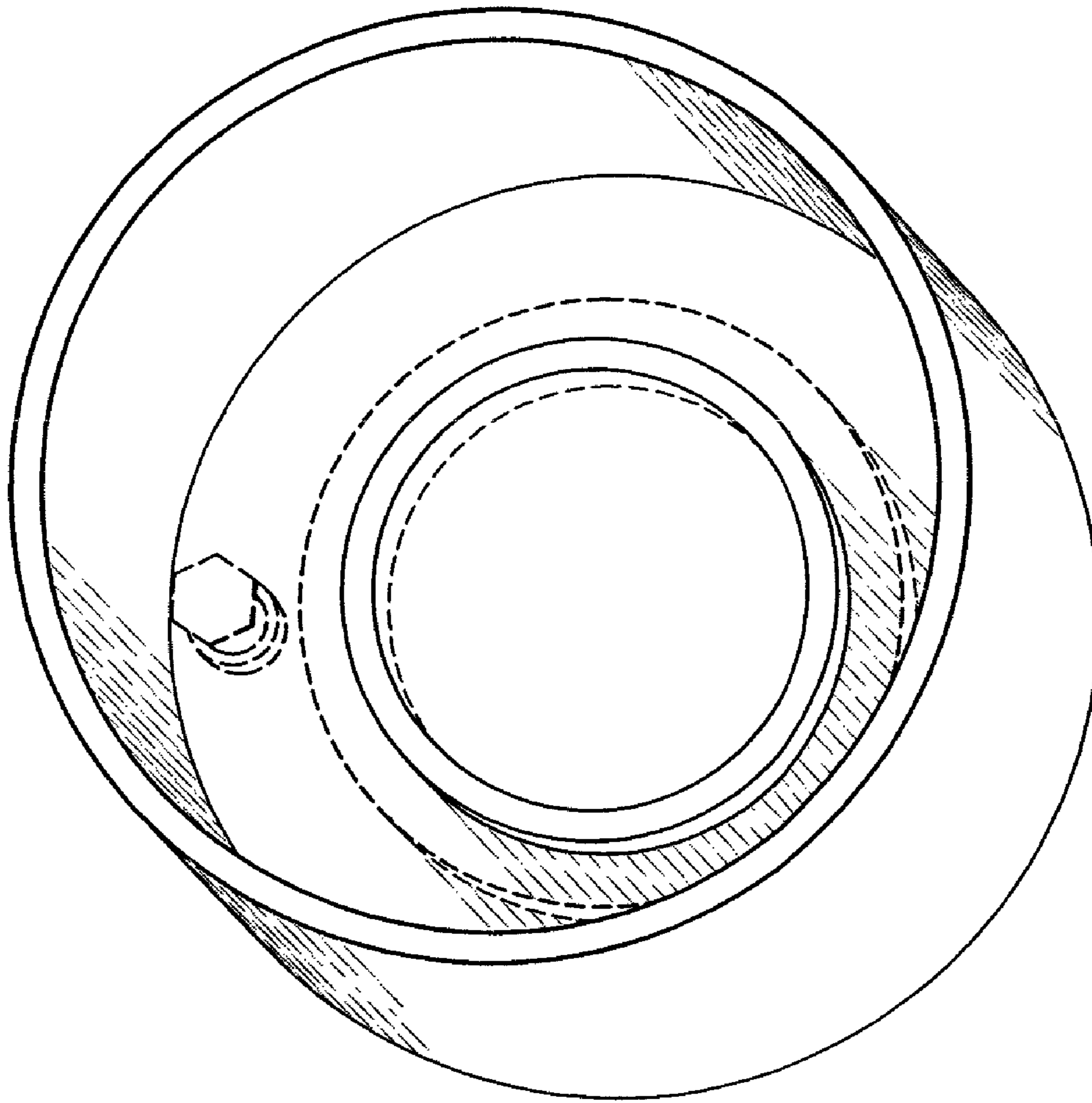


FIGURE 17

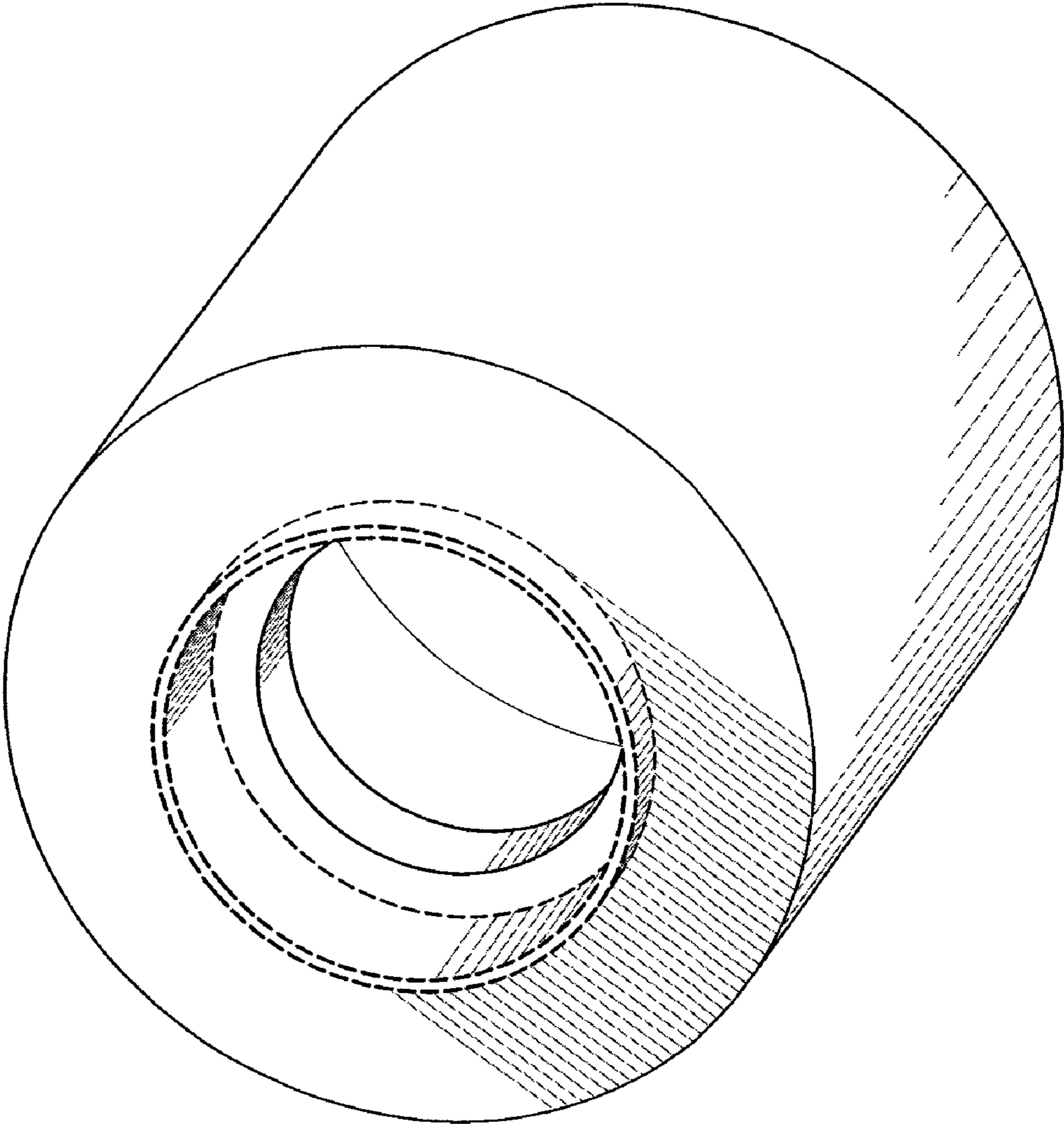


FIGURE 18