



US00D635637S

(12) **United States Design Patent**
Pekin et al.

(10) **Patent No.:** **US D635,637 S**
(45) **Date of Patent:** **** Apr. 5, 2011**

(54) **FISHING ROD HANDLE SECTION WITH DISPLAY**

(75) Inventors: **David Pekin**, San Diego, CA (US); **Ian J. Fettes**, June Lake, CA (US); **Anthony Truscott**, San Diego, CA (US); **Steven J. Behrens**, Costa Mesa, CA (US); **Gregory S. Stotesbury**, Mission Viejo, CA (US)

(73) Assignee: **Reel Drag Technologies, Inc.**, San Diego, CA (US)

(**) Term: **14 Years**

(21) Appl. No.: **29/365,698**

(22) Filed: **Jul. 13, 2010**

(51) **LOC (9) Cl.** **22-05**

(52) **U.S. Cl.** **D22/138**

(58) **Field of Classification Search** D22/137-142;
43/18.1, 18.1 CT, 18.5, 19-23

See application file for complete search history.

(56) **References Cited**

U.S. PATENT DOCUMENTS

4,467,548 A * 8/1984 Tabor 43/23
D277,402 S * 1/1985 Thompson D22/138
D301,050 S * 5/1989 Lassi D22/142

D305,450 S * 1/1990 Noble et al. D22/142
5,517,786 A * 5/1996 Peissig 43/18.1 R
6,397,511 B1 * 6/2002 Atnip 43/22
D552,209 S * 10/2007 Lin D22/142
D589,112 S * 3/2009 Lin D22/142
D590,911 S * 4/2009 Mohr et al. D22/137
D607,531 S * 1/2010 Chen D22/137
D613,366 S * 4/2010 Lin D22/142

* cited by examiner

Primary Examiner — Catherine R Oliver

(74) *Attorney, Agent, or Firm* — Larry K. Roberts

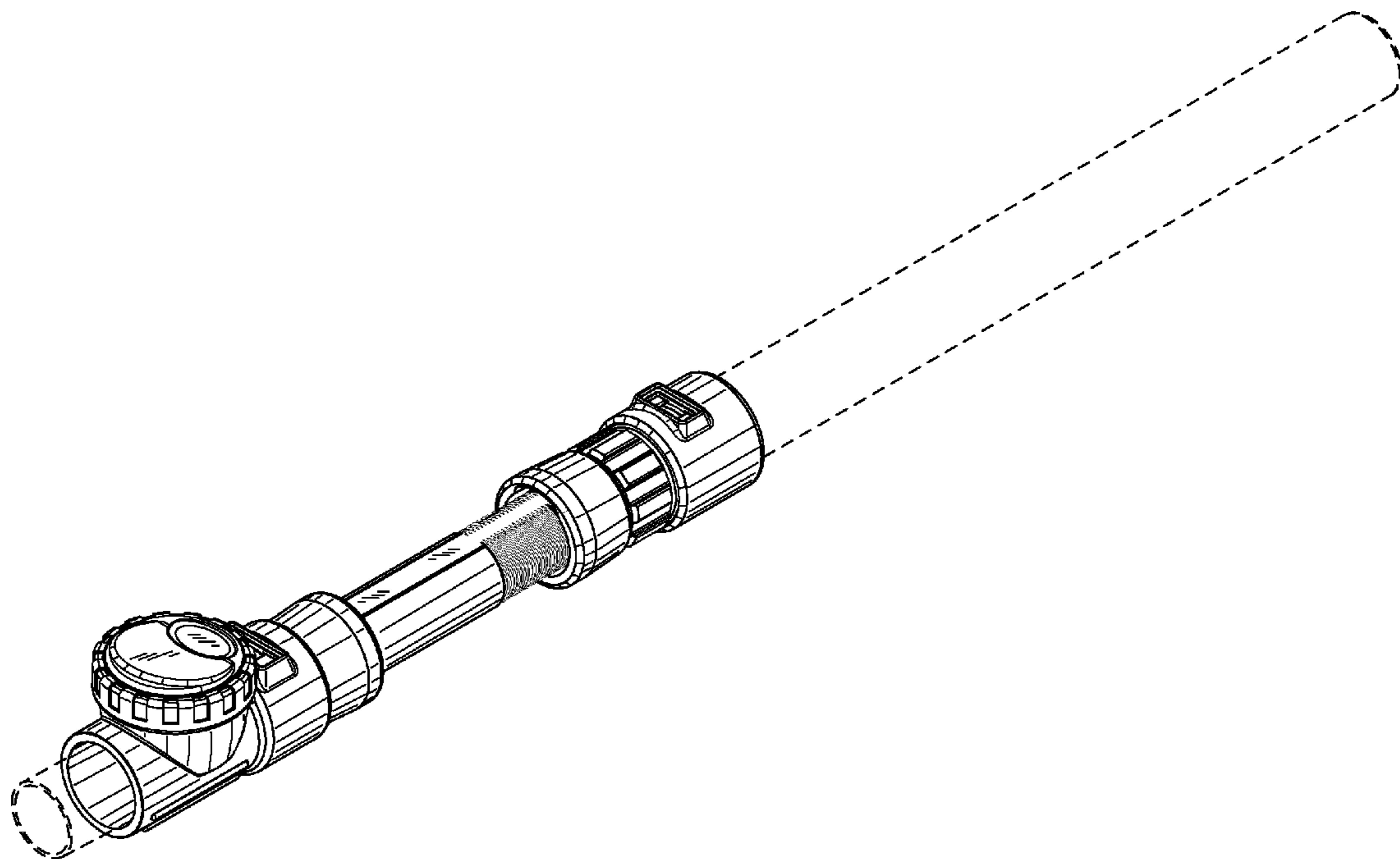
(57) **CLAIM**

The ornamental design for a fishing rod handle section with display, as shown and described.

DESCRIPTION

FIG. 1 is an isometric view of an embodiment of the design; FIG. 2 is a top view of the embodiment of FIG. 1; FIG. 3 is a bottom view of the embodiment of FIG. 1; FIG. 4 is a left elevation view of the embodiment of FIG. 1; FIG. 5 is a right elevation view of the embodiment of FIG. 1; FIG. 6 is a front elevation view of the embodiment of FIG. 1; and, FIG. 7 is a rear elevation view of the embodiment of FIG. 1. The broken lines in the drawings are included for the purpose of illustration and form no part of the claimed design.

1 Claim, 3 Drawing Sheets



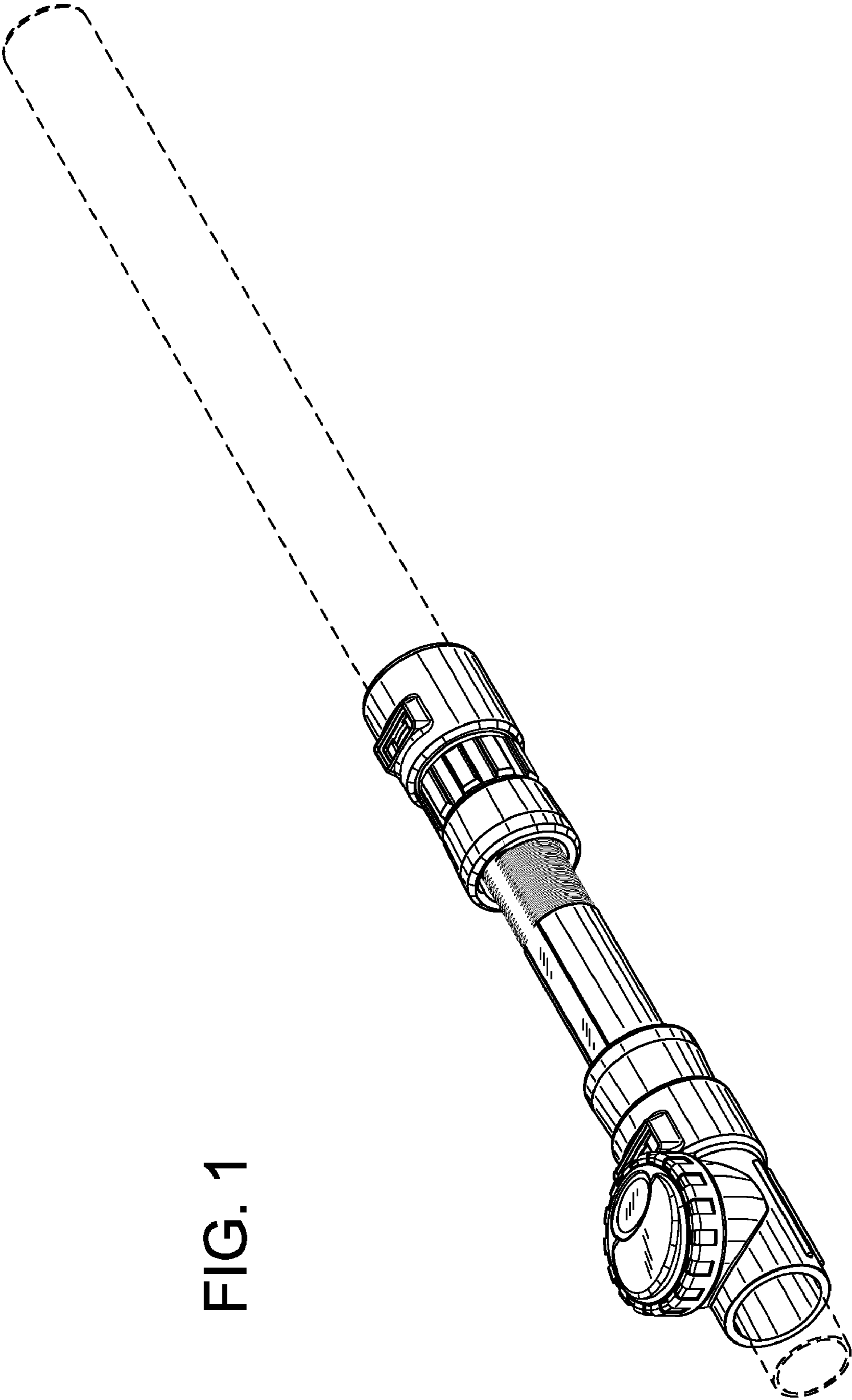


FIG. 1

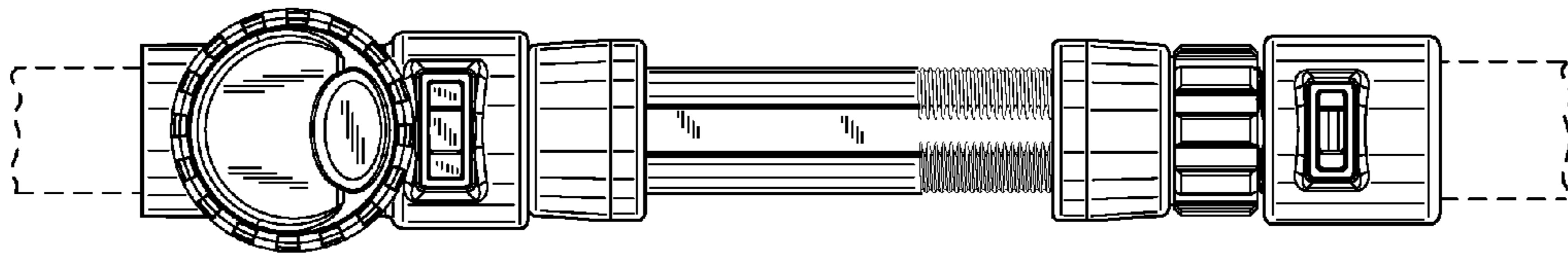


FIG. 2

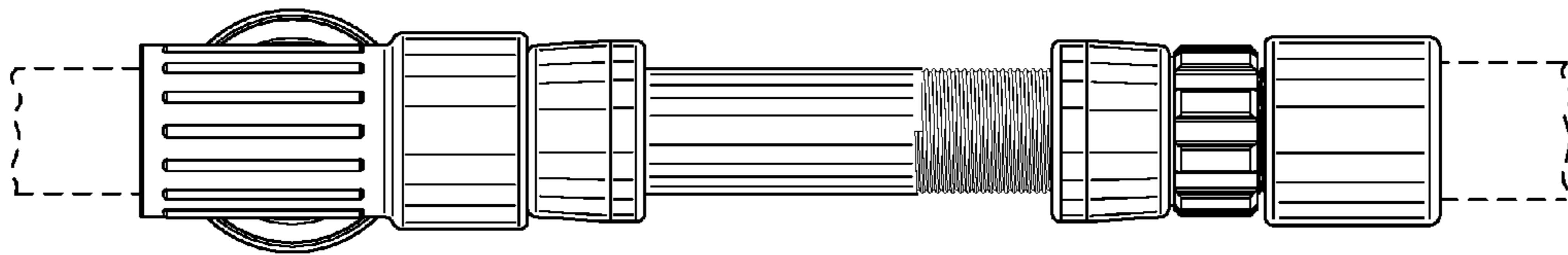


FIG. 3

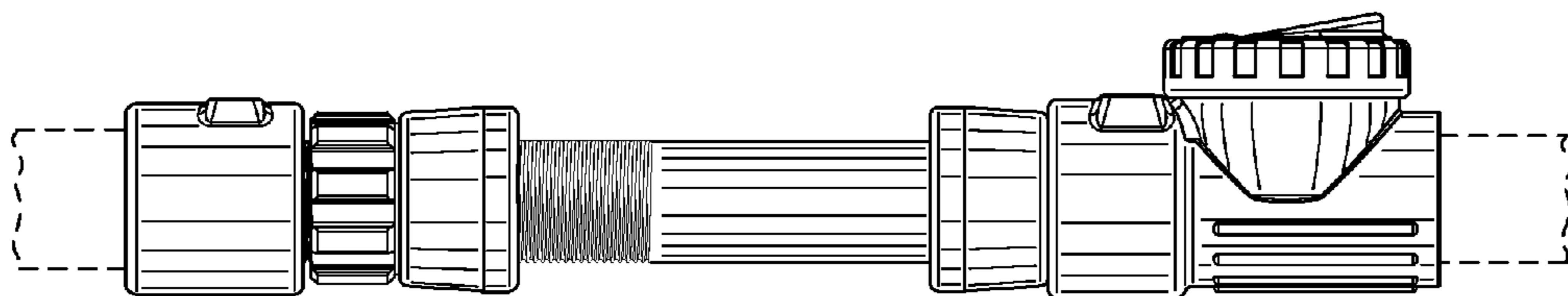


FIG. 4

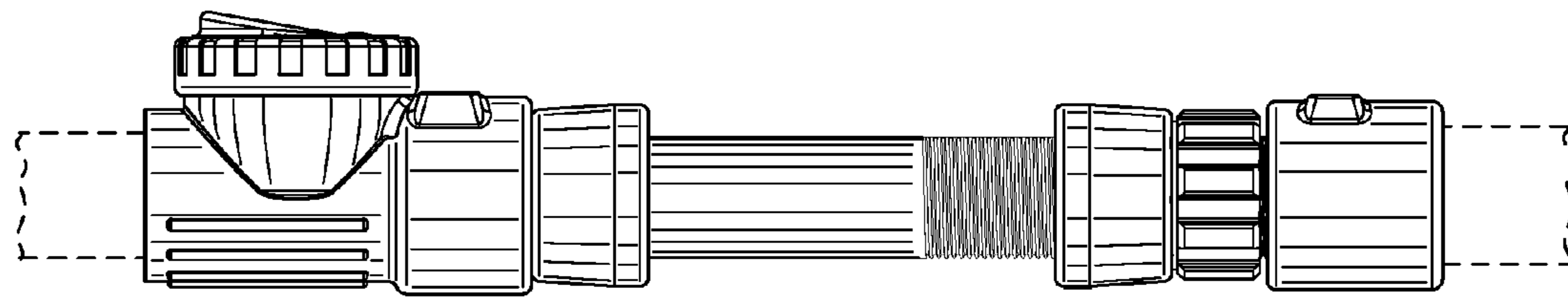


FIG. 5

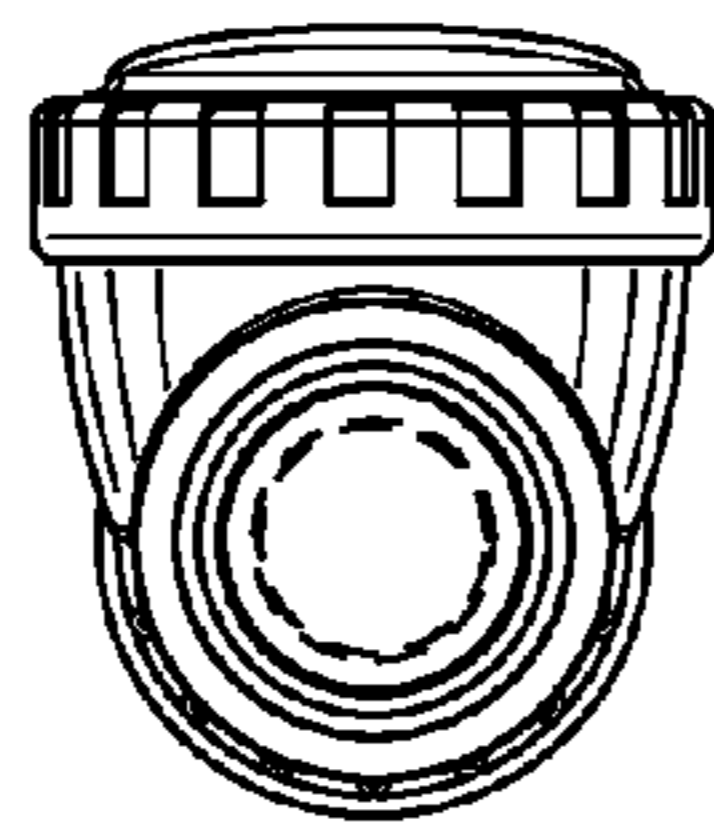


FIG. 6

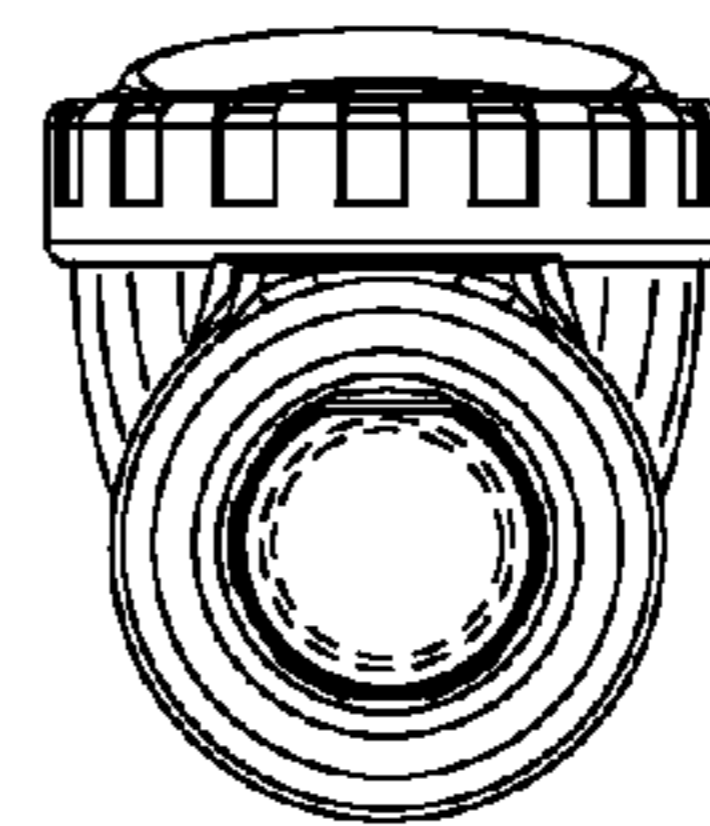


FIG. 7