



US00D635635S

(12) **United States Design Patent**  
**Pryor**

(10) **Patent No.:** **US D635,635 S**

(45) **Date of Patent:** **\*\* Apr. 5, 2011**

(54) **BAIT STATION**

(75) **Inventor:** **Alan E. Pryor**, Hartford, WI (US)

(73) **Assignee:** **De Sangosse U.S., Inc.**, Wilmington, DE (US)

(\*\*) **Term:** **14 Years**

(21) **Appl. No.:** **29/375,440**

(22) **Filed:** **Sep. 22, 2010**

(51) **LOC (9) Cl.** ..... **22-06**

(52) **U.S. Cl.** ..... **D22/119**

(58) **Field of Classification Search** ..... D22/119-124;  
43/58, 60-61, 65-66, 69-70, 121, 124, 131,  
43/132.1

See application file for complete search history.

(56) **References Cited**

**U.S. PATENT DOCUMENTS**

D347,675	S	*	6/1994	Demarest et al.	.....	D22/119
D366,689	S	*	1/1996	Mares et al.	.....	D22/122
D385,611	S	*	10/1997	Prince et al.	.....	D22/119
5,927,000	A	*	7/1999	Bordes, Jr.	.....	43/124
D605,726	S	*	12/2009	Brandt et al.	.....	D22/119
D623,255	S	*	9/2010	Watson et al.	.....	D22/119
D623,256	S	*	9/2010	Watson et al.	.....	D22/119

\* cited by examiner

*Primary Examiner* — Catherine R Oliver

(74) *Attorney, Agent, or Firm* — Reinhart Boerner Van Deuren S.C.

(57) **CLAIM**

The ornamental design for a bait station, as shown and described.

**DESCRIPTION**

FIG. 1 is an isometric view of a bait station showing our design from the top and a side;

FIG. 2 is a top plan view of the bait station illustrated in FIG. 1;

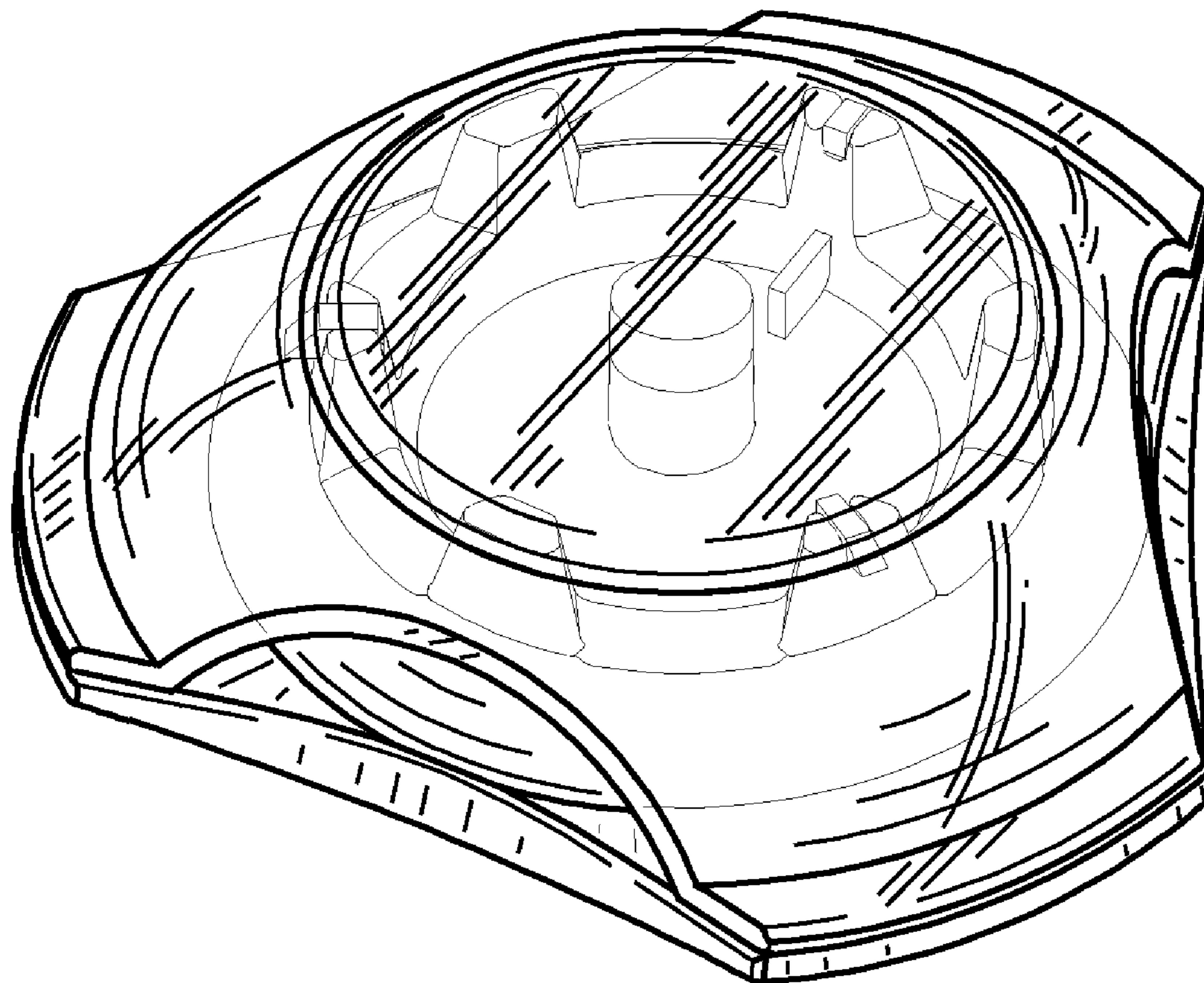
FIG. 3 is a first side elevational view of the bait station illustrated in FIGS. 1 and 2;

FIG. 4 is a second side elevational view of the bait station illustrated in FIGS. 1 through 3 from the side of the bait station opposite the side illustrated in FIG. 3;

FIG. 5 is a third side elevational view of the bait station illustrated in FIGS. 1 through 4 from a side of the bait station orthogonal to the sides illustrated in FIGS. 3 and 4, the side of the bait station opposite the side illustrated in FIG. 5 being a mirror image thereof; and,

FIG. 6 is a bottom plan view of the bait station illustrated in FIGS. 1 through 5.

**1 Claim, 4 Drawing Sheets**



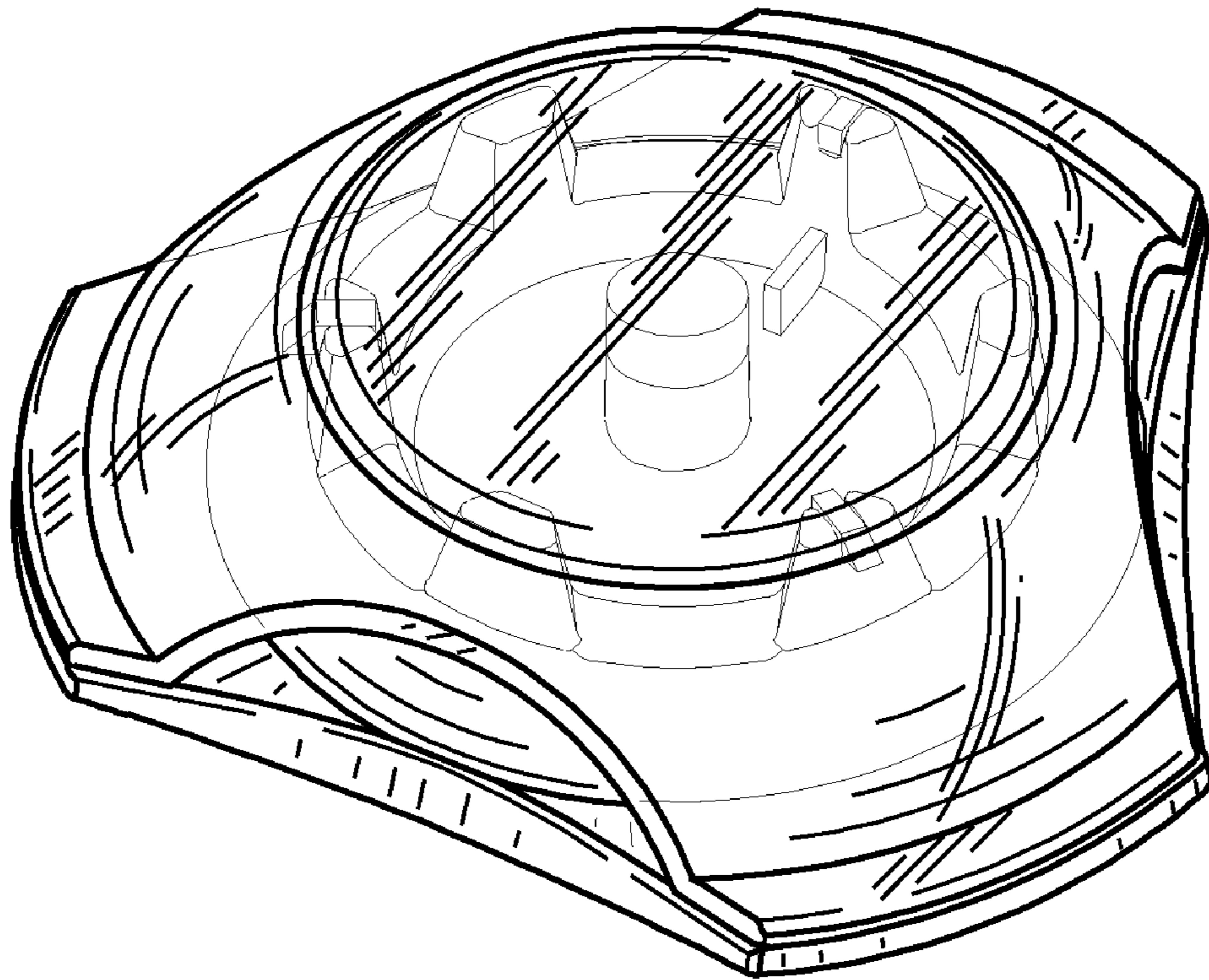


FIG. 1

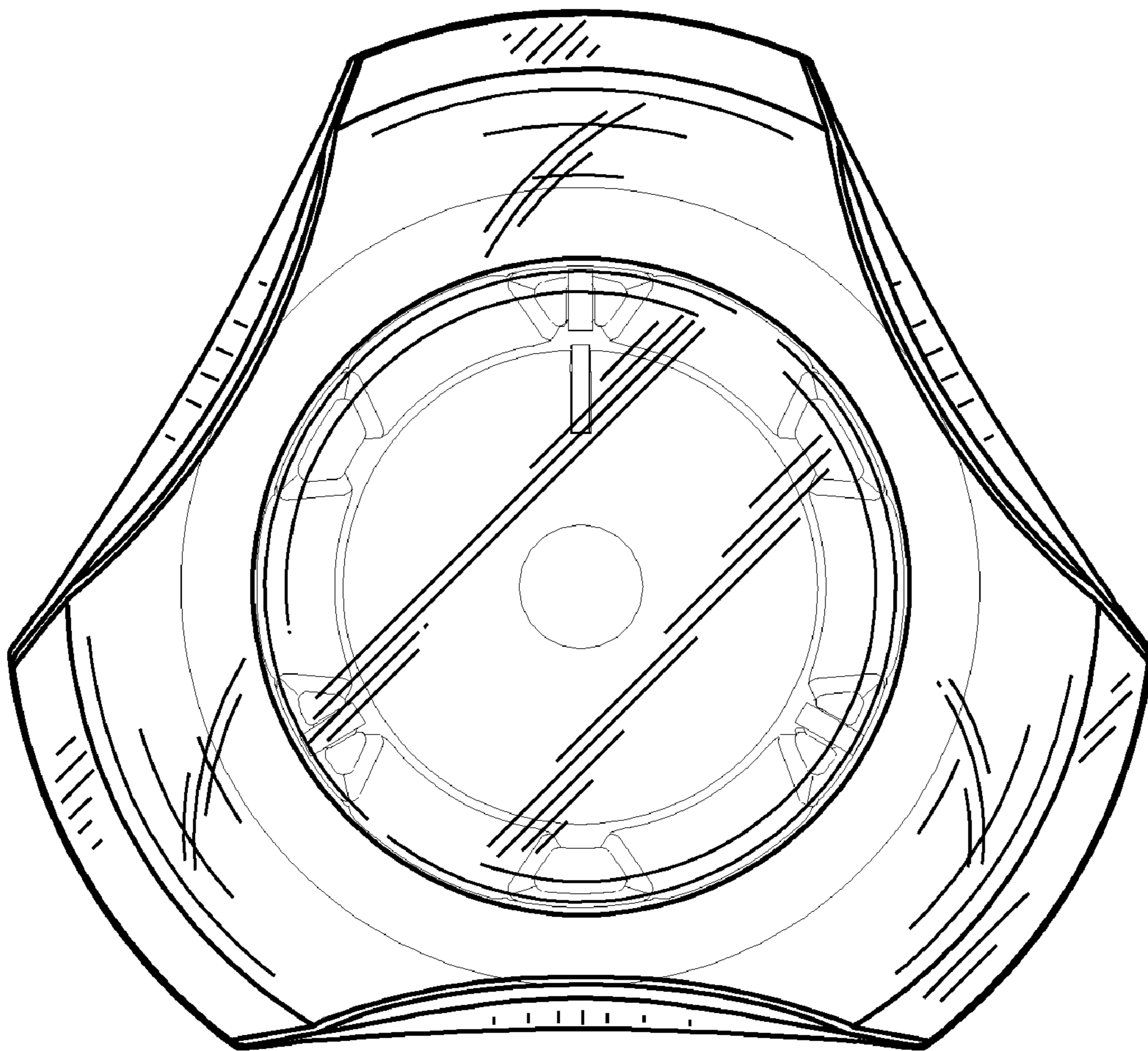


FIG. 2

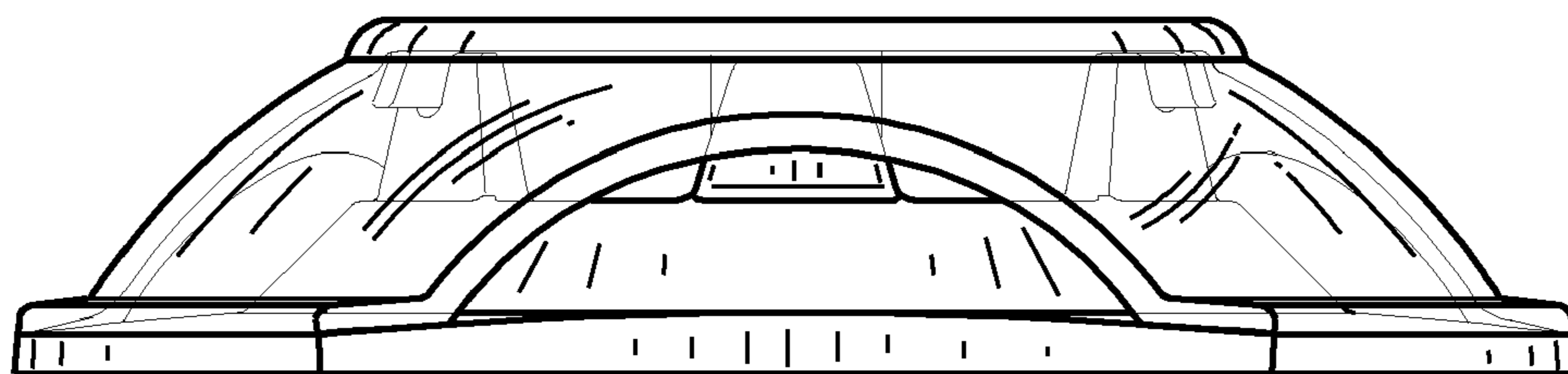


FIG. 3

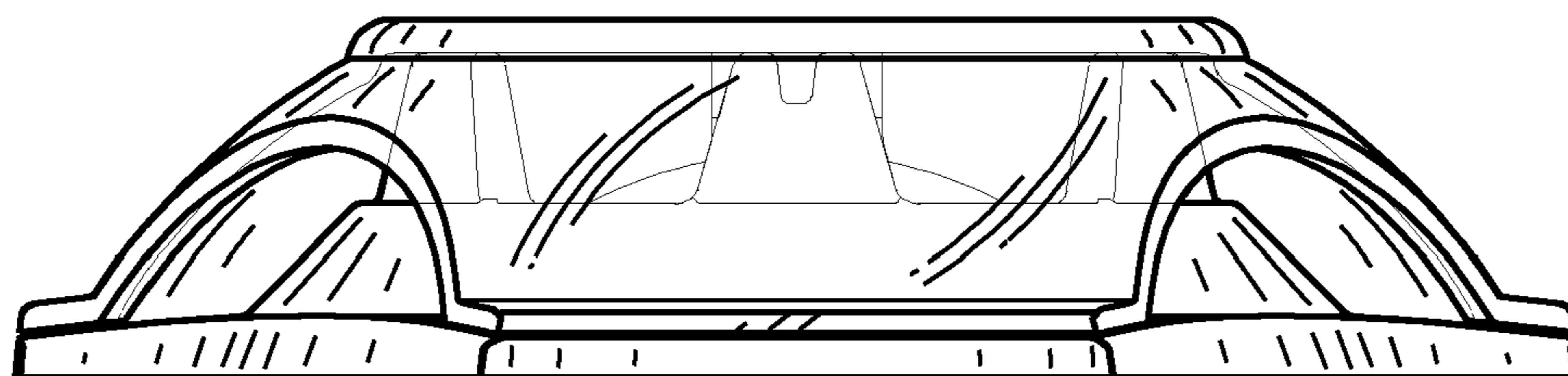


FIG. 4

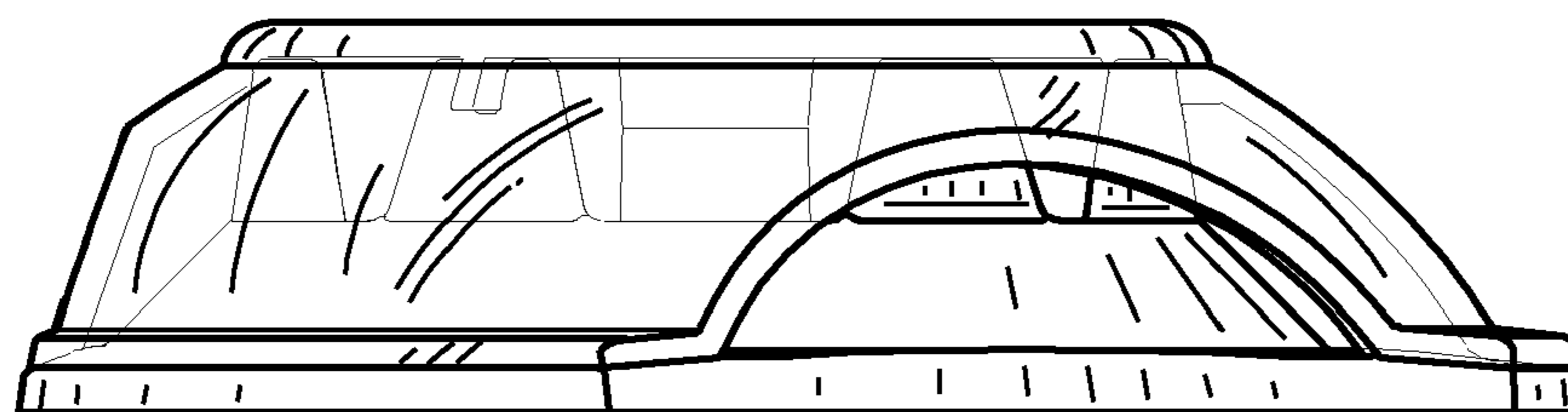


FIG. 5

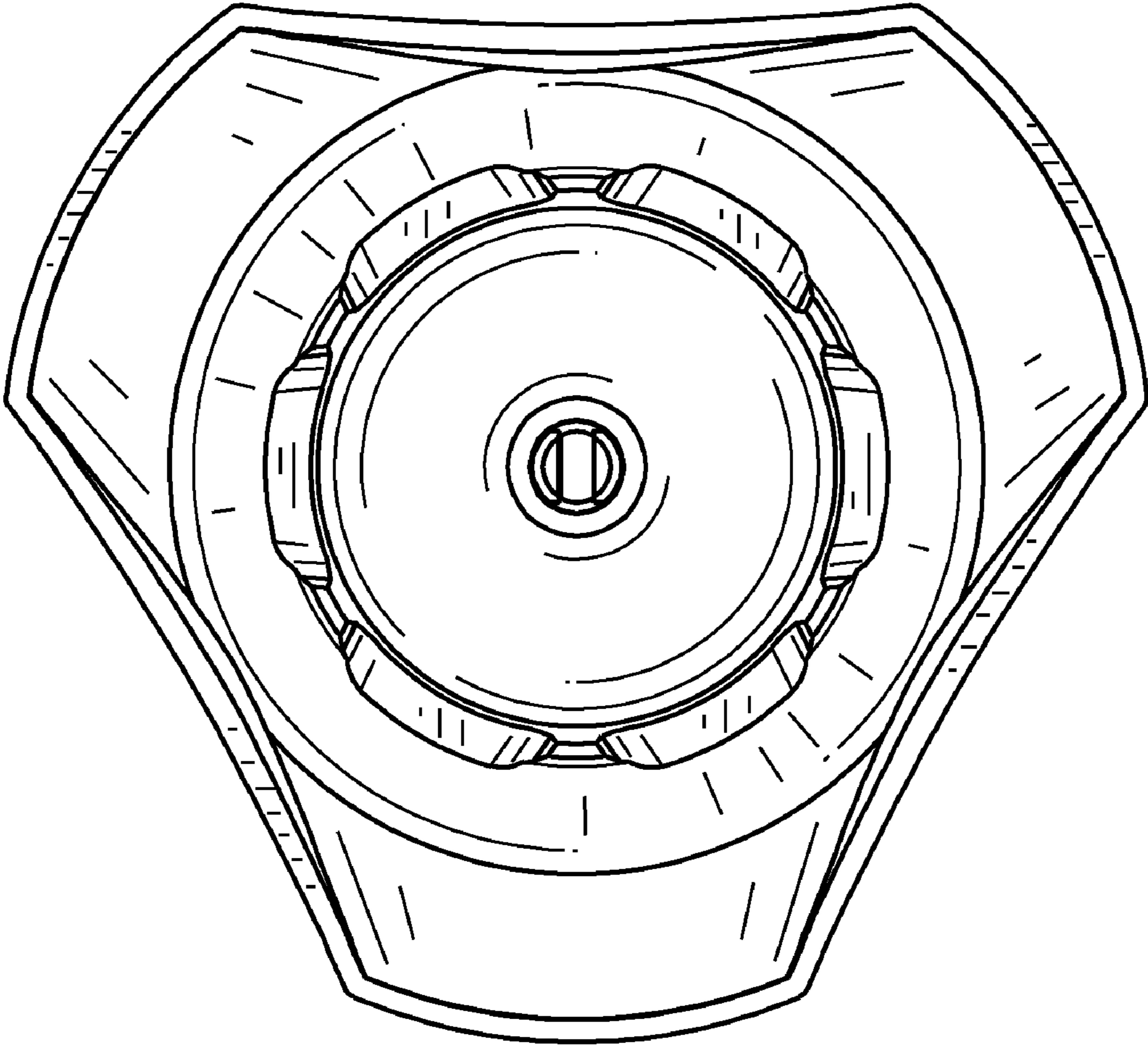


FIG. 6