



US00D635632S

(12) **United States Design Patent**
Rymniak

(10) **Patent No.:** **US D635,632 S**

(45) **Date of Patent:** **** Apr. 5, 2011**

(54) **GOLF TRAINING DEVICE**

(76) Inventor: **Alan Rymniak**, Sharpville, PA (US)

(**) Term: **14 Years**

(21) Appl. No.: **29/359,346**

(22) Filed: **Apr. 8, 2010**

(51) **LOC (9) Cl.** **21-02**

(52) **U.S. Cl.** **D21/791**

(58) **Field of Classification Search** D21/789,
D21/791; 473/219–222, 232–234, 257
See application file for complete search history.

(56) **References Cited**

U.S. PATENT DOCUMENTS

D336,121 S *	6/1993	Bellagamba	D21/791
D336,673 S *	6/1993	Ohly et al.	D21/791
D375,774 S *	11/1996	Harrold	D21/791
D417,251 S *	11/1999	Francisco	D21/791
D491,246 S *	6/2004	Walsh et al.	D21/791
D519,181 S *	4/2006	Jones	D21/791
D524,893 S *	7/2006	Rinaldi	D21/791
D529,568 S *	10/2006	Gauer	D21/791
D557,366 S *	12/2007	Witt et al.	D21/791
D574,916 S *	8/2008	Ford	D21/791

* cited by examiner

Primary Examiner — Mitchell I Siegel

(74) *Attorney, Agent, or Firm* — QuickPatents, Inc.; Kevin Prince

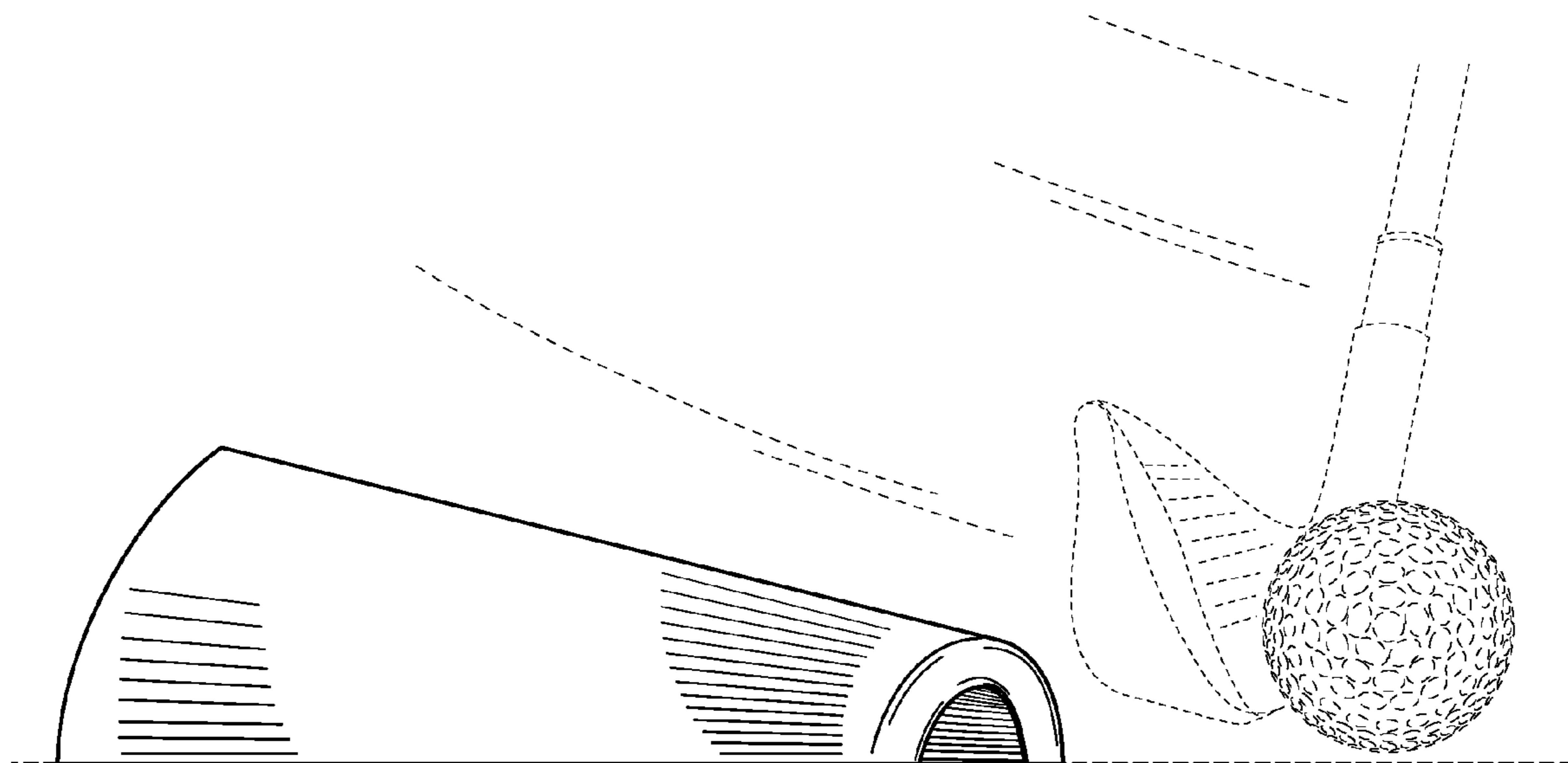
(57) **CLAIM**

What is claimed is the ornamental design for a golf training device, as shown and described.

DESCRIPTION

FIG. 1 is a perspective view of a golf training device, showing the new design;
 FIG. 2 is an alternate perspective view thereof;
 FIG. 3 is a top plan view thereof;
 FIG. 4 is a bottom plan view thereof;
 FIG. 5 is a left-side elevational view thereof, the right-side elevational view being a mirror image thereof;
 FIG. 6 is a front elevational view thereof; and,
 FIG. 7 is a rear elevational view thereof.
 The broken lines showing a swinging golf club and ball in FIG. 1 are included for the purpose of illustrating the invention in use, and form no part of the claimed design.

1 Claim, 3 Drawing Sheets



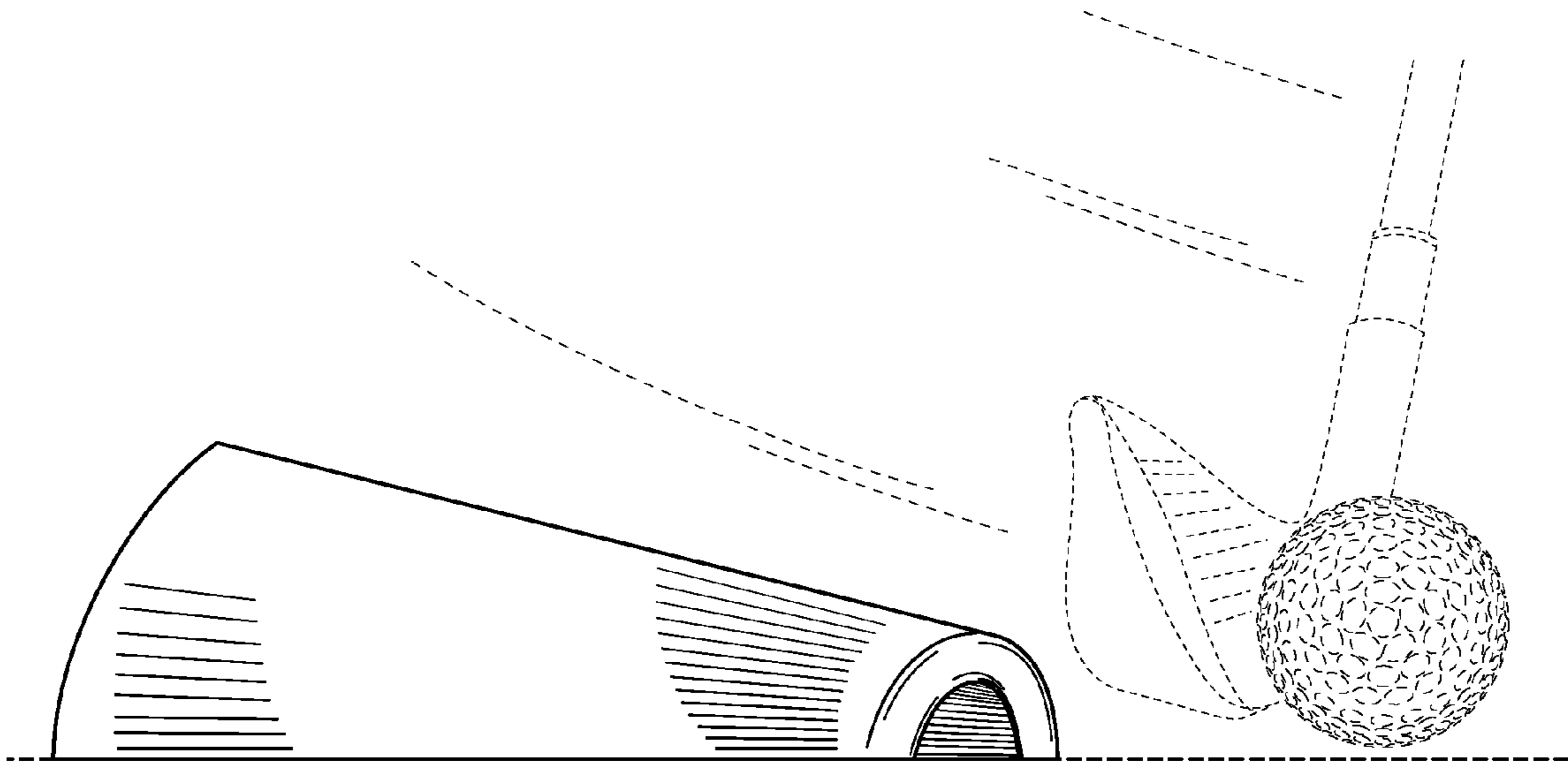


FIG. 1

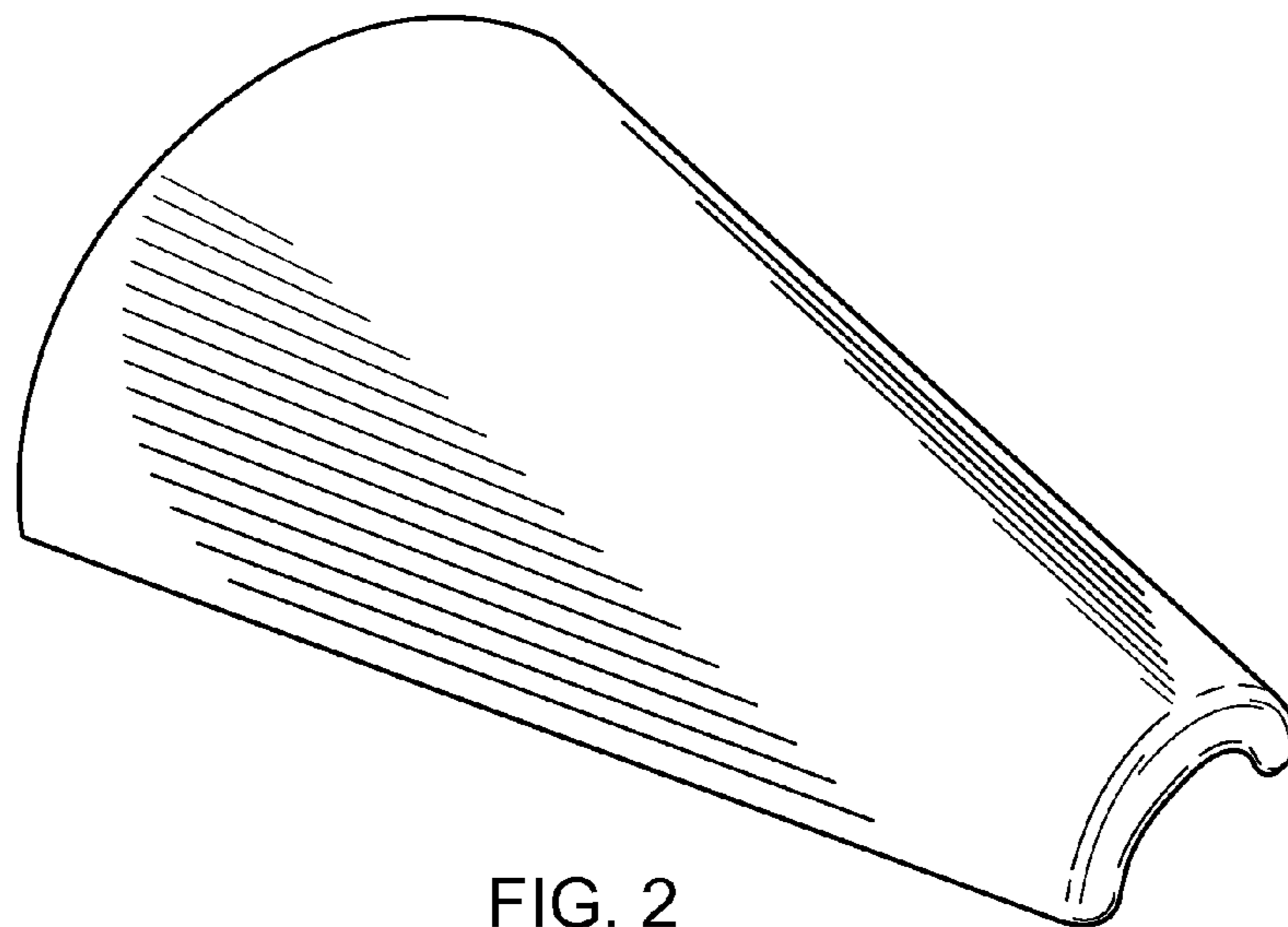


FIG. 2

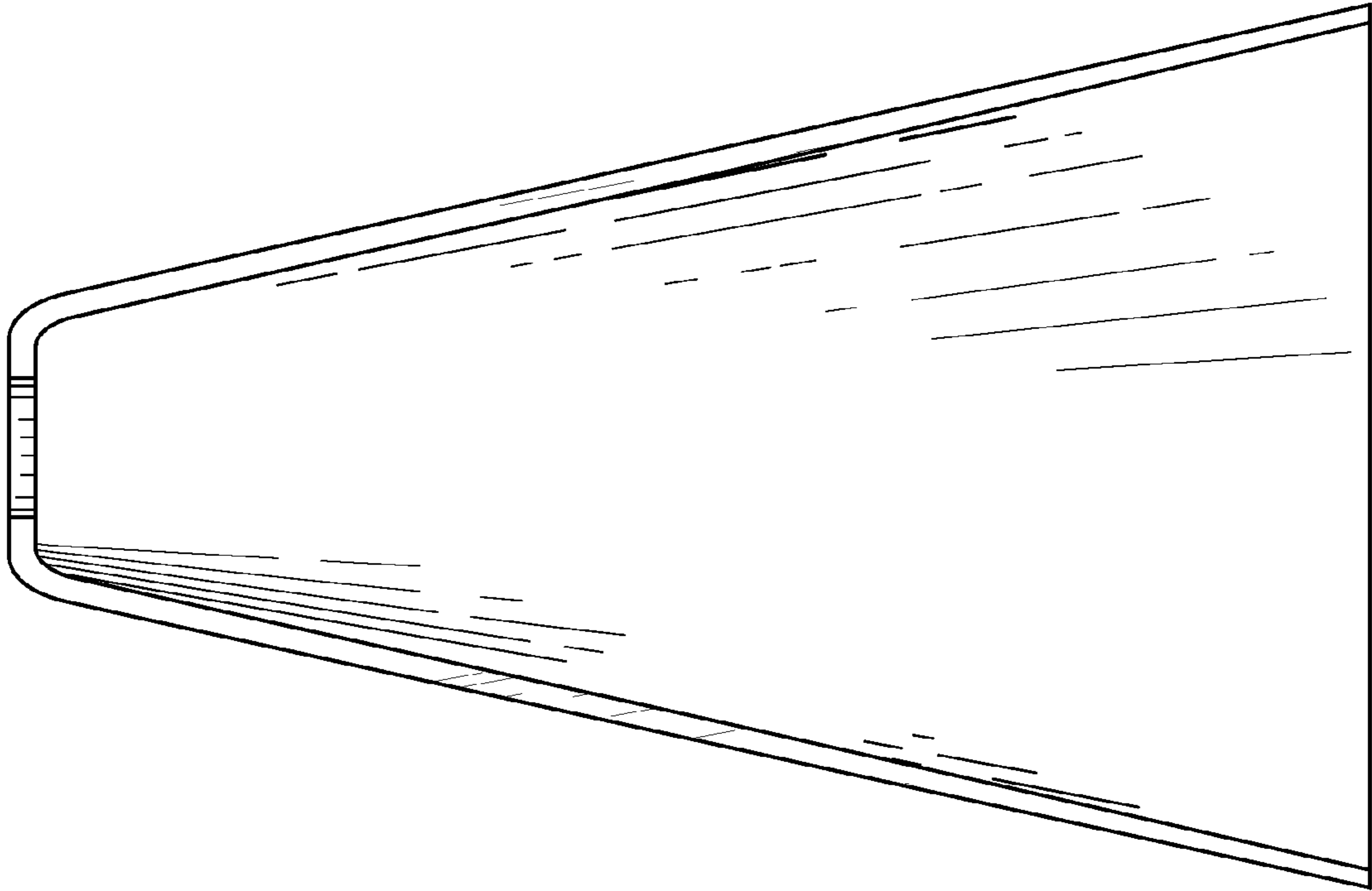


FIG. 4

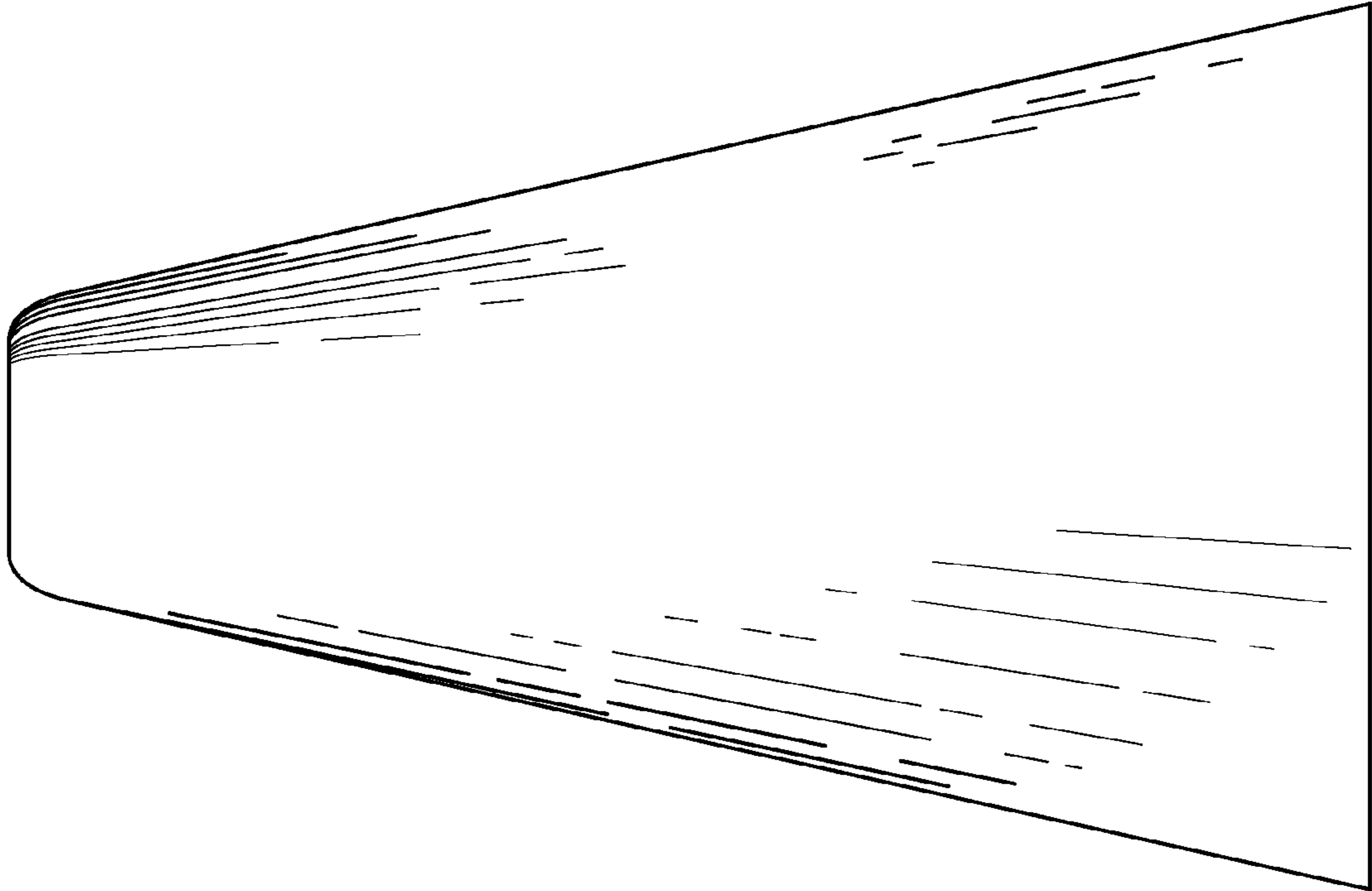


FIG. 3

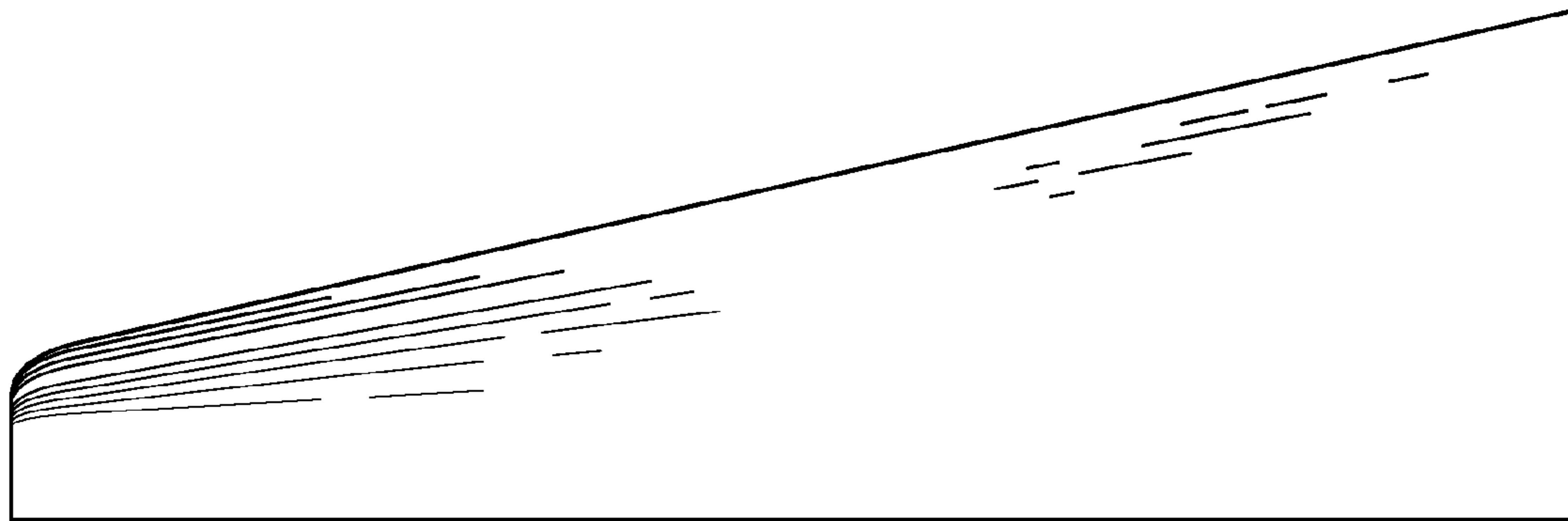


FIG. 5

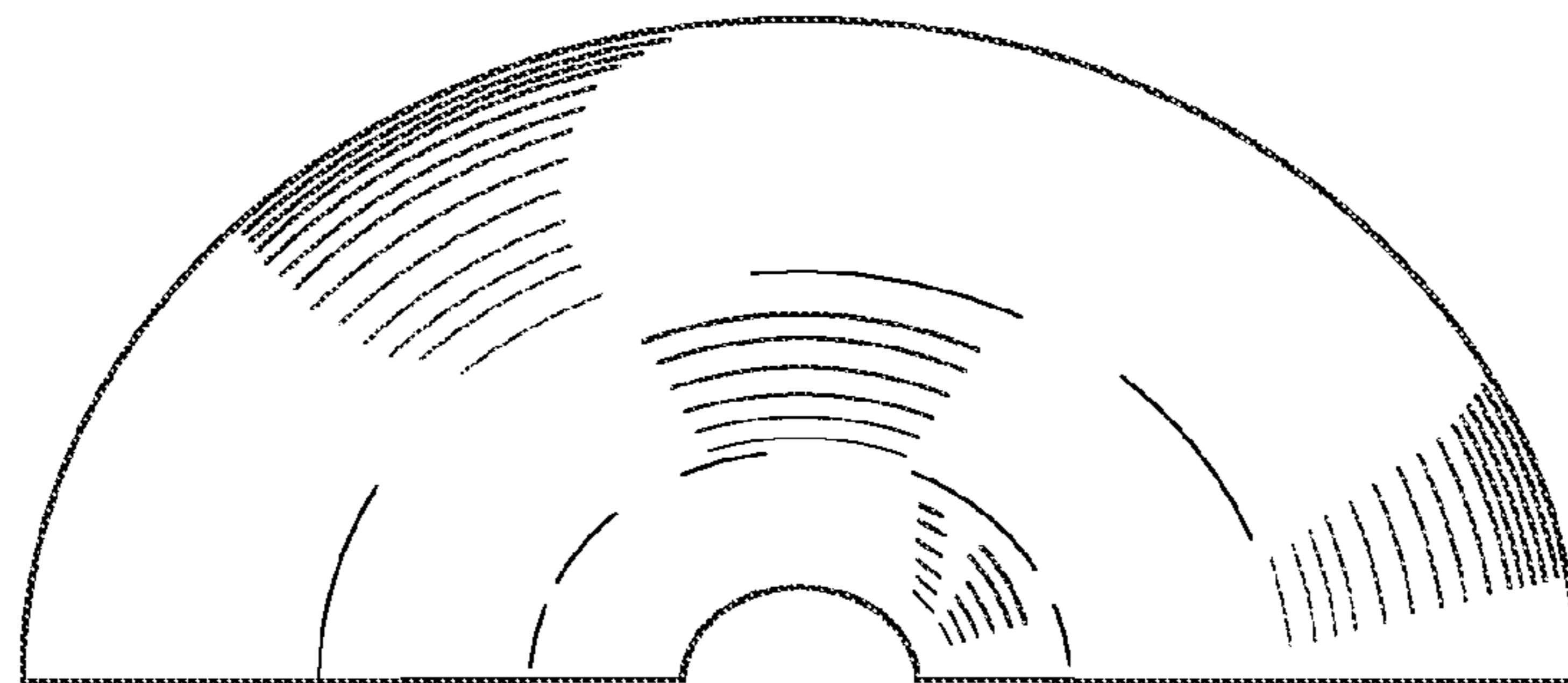


FIG. 6

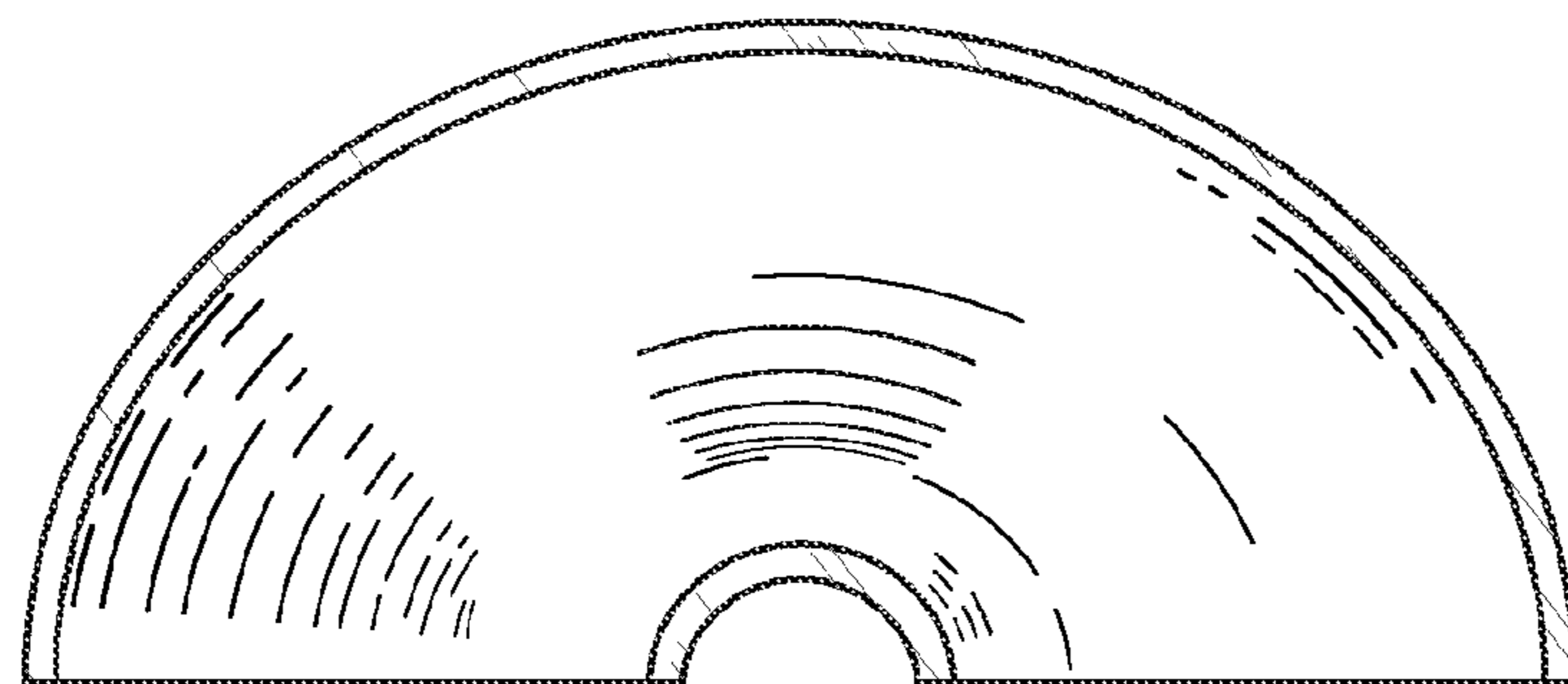


FIG. 7