



US00D635631S

(12) **United States Design Patent**
Milne

(10) **Patent No.:** **US D635,631 S**

(45) **Date of Patent:** **** Apr. 5, 2011**

(54) **SKATING TRAINER**

D496,421 S 9/2004 Meeker
D504,710 S * 5/2005 Kimball D21/771
7,182,352 B1 2/2007 Gonzalez

(76) Inventor: **Jay Milne**, Fountain Hills, AZ (US)

(**) Term: **14 Years**

(21) Appl. No.: **29/348,238**

(22) Filed: **Dec. 10, 2009**

(51) **LOC (9) Cl.** **21-02**

(52) **U.S. Cl.** **D21/771**

(58) **Field of Classification Search** D21/760-767,
D21/771; D3/7, 9; D12/130, 133; 280/841,
280/809; 482/71, 66; 434/253, 255

See application file for complete search history.

OTHER PUBLICATIONS

Skate Buddy—From Adrian Precision Maching—www.adrianprecision.com Website created: Aug. 21, 2006.

* cited by examiner

Primary Examiner — Lisa P Lichtenstein

(74) *Attorney, Agent, or Firm* — Gregory J. Nelson

(57) **CLAIM**

I claim the ornamental design for a skating trainer, as shown and described.

DESCRIPTION

FIG. 1 is a front perspective view of my new design for a skating trainer;

FIG. 2 is a top view thereof;

FIG. 3 is a bottom view thereof;

FIG. 4 is a left side view thereof;

FIG. 5 is a right side view of thereof;

FIG. 6 is a front view thereof; and,

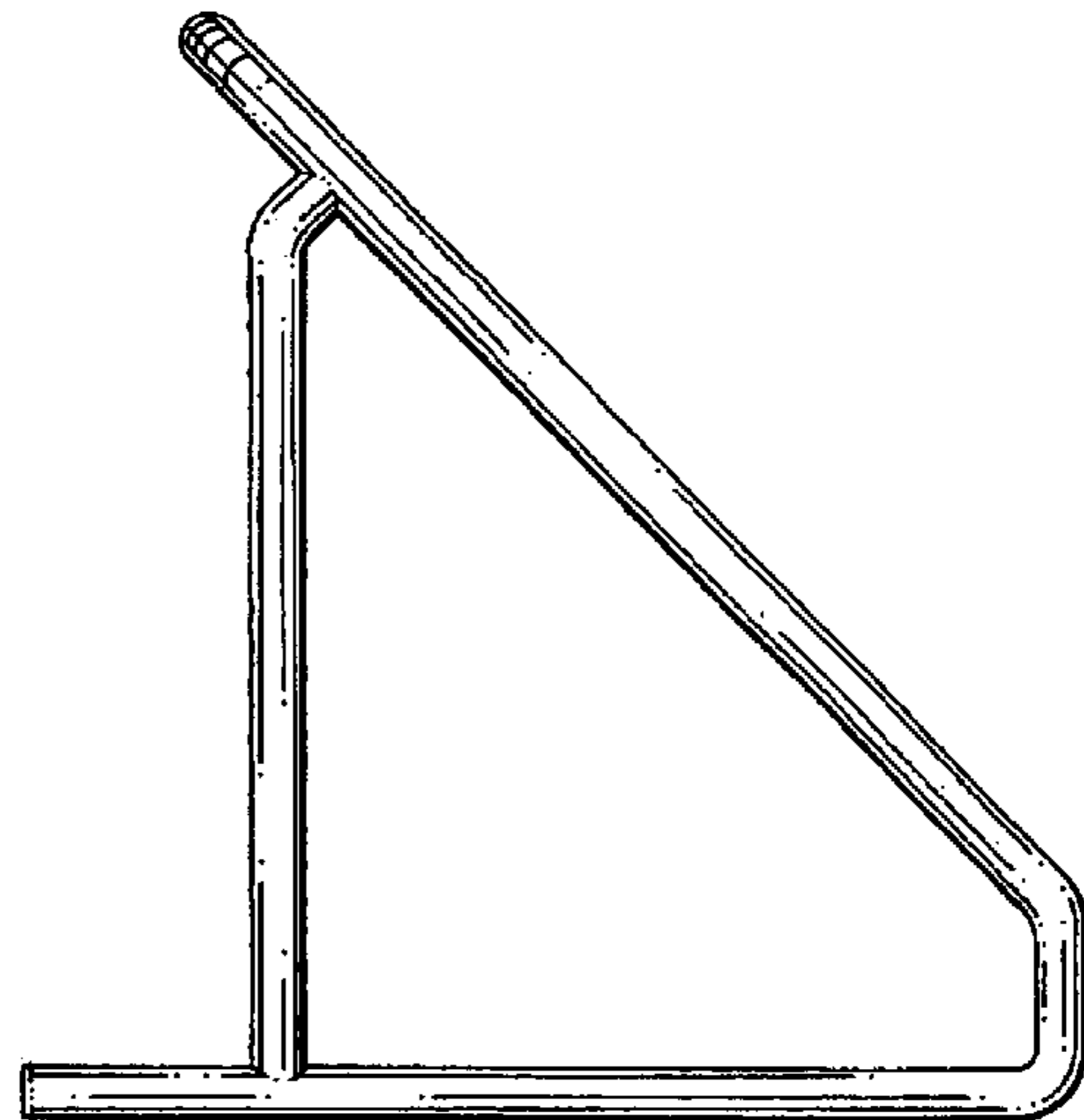
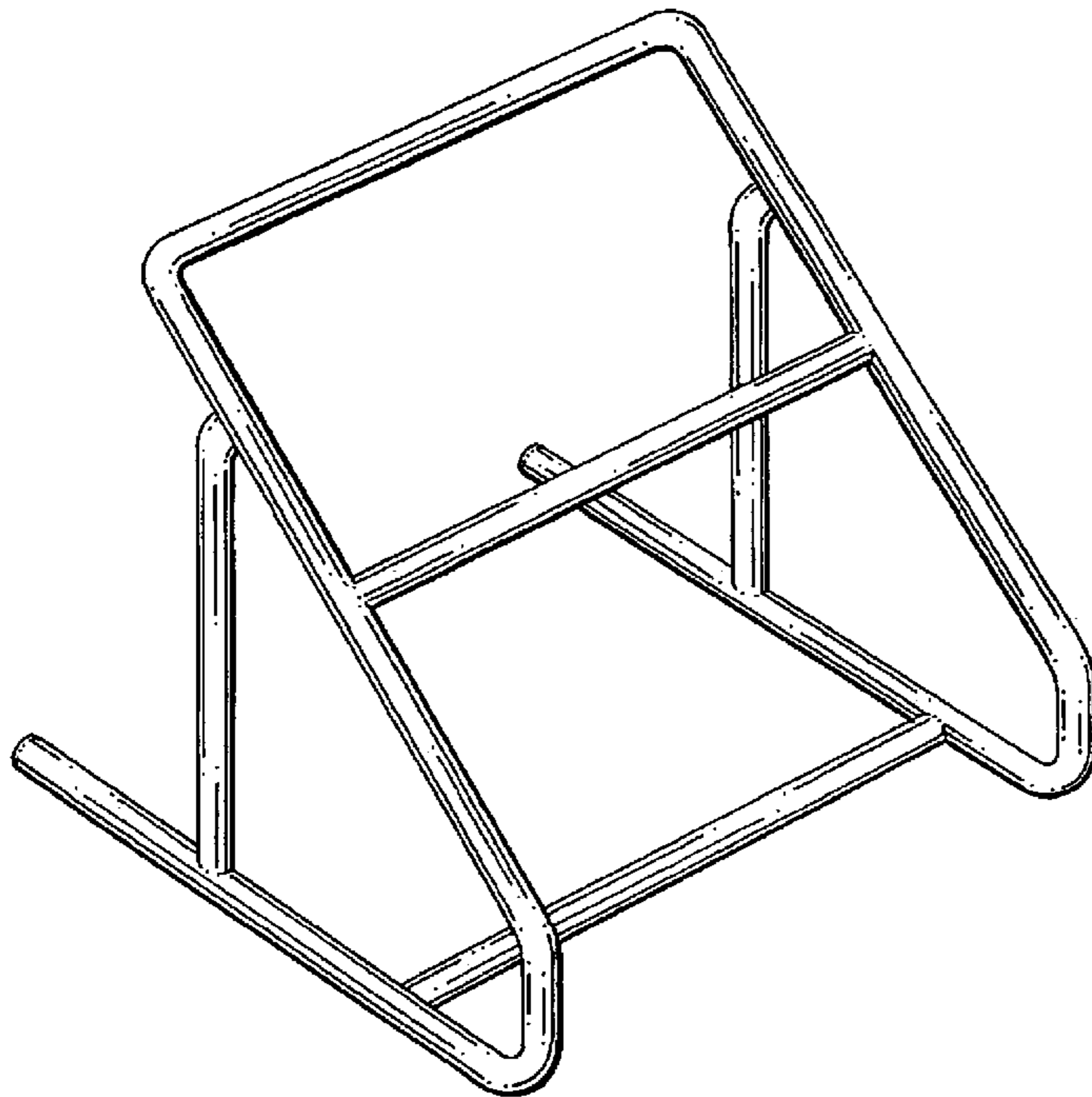
FIG. 7 is a rear view of the skating trainer of my new design.

(56) **References Cited**

U.S. PATENT DOCUMENTS

2,900,008	A *	8/1959	Seger	482/66
3,235,254	A *	2/1966	Robson	482/66
3,695,609	A *	10/1972	Rothe	482/66
4,021,033	A *	5/1977	Auclair et al.	482/66
D301,598	S	6/1989	Harris	
D388,854	S *	1/1998	Love	D21/771
D389,545	S *	1/1998	Gertler	D21/760
D420,624	S	2/2000	Gonzalez	

1 Claim, 3 Drawing Sheets



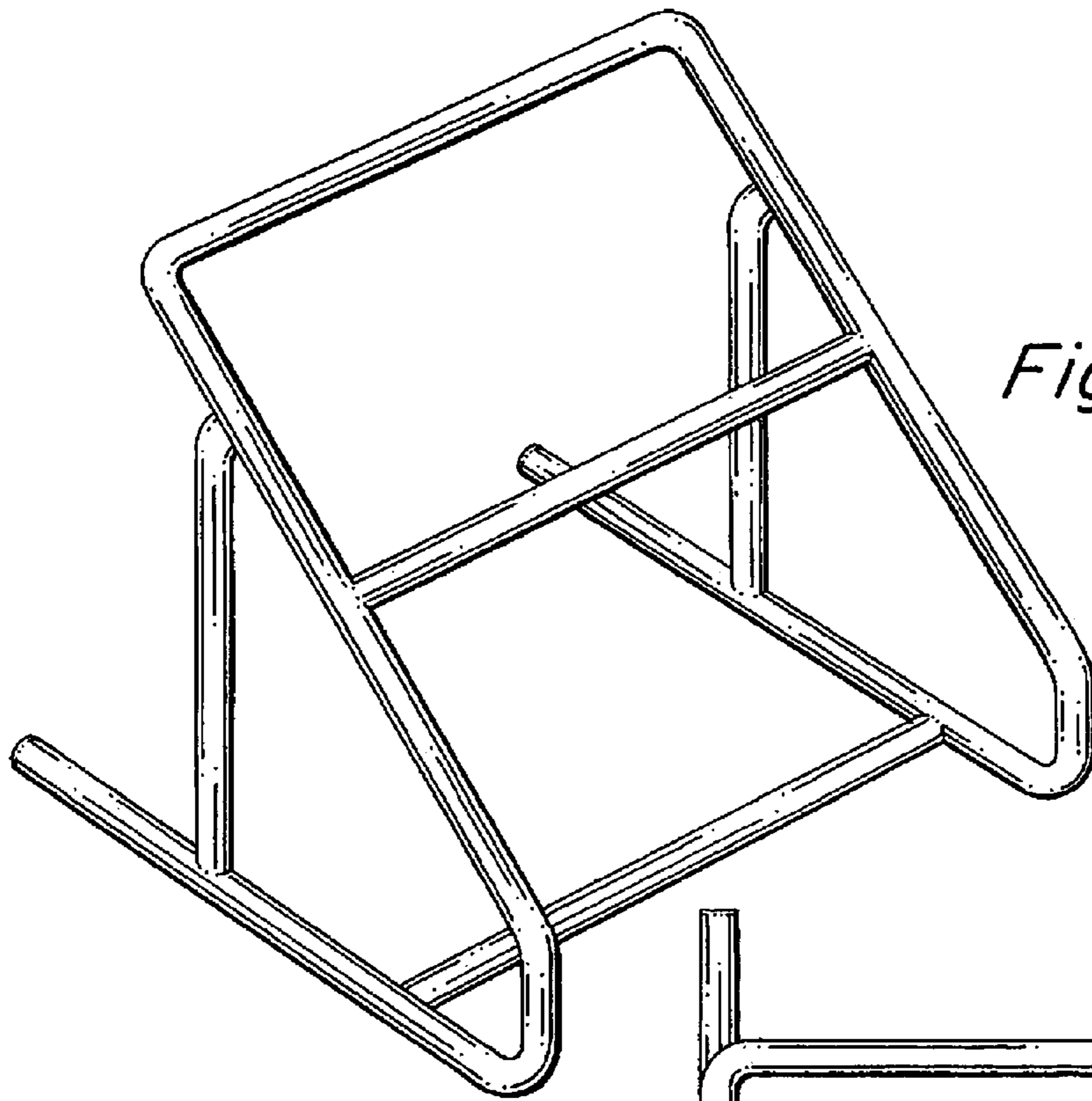


Fig. 1

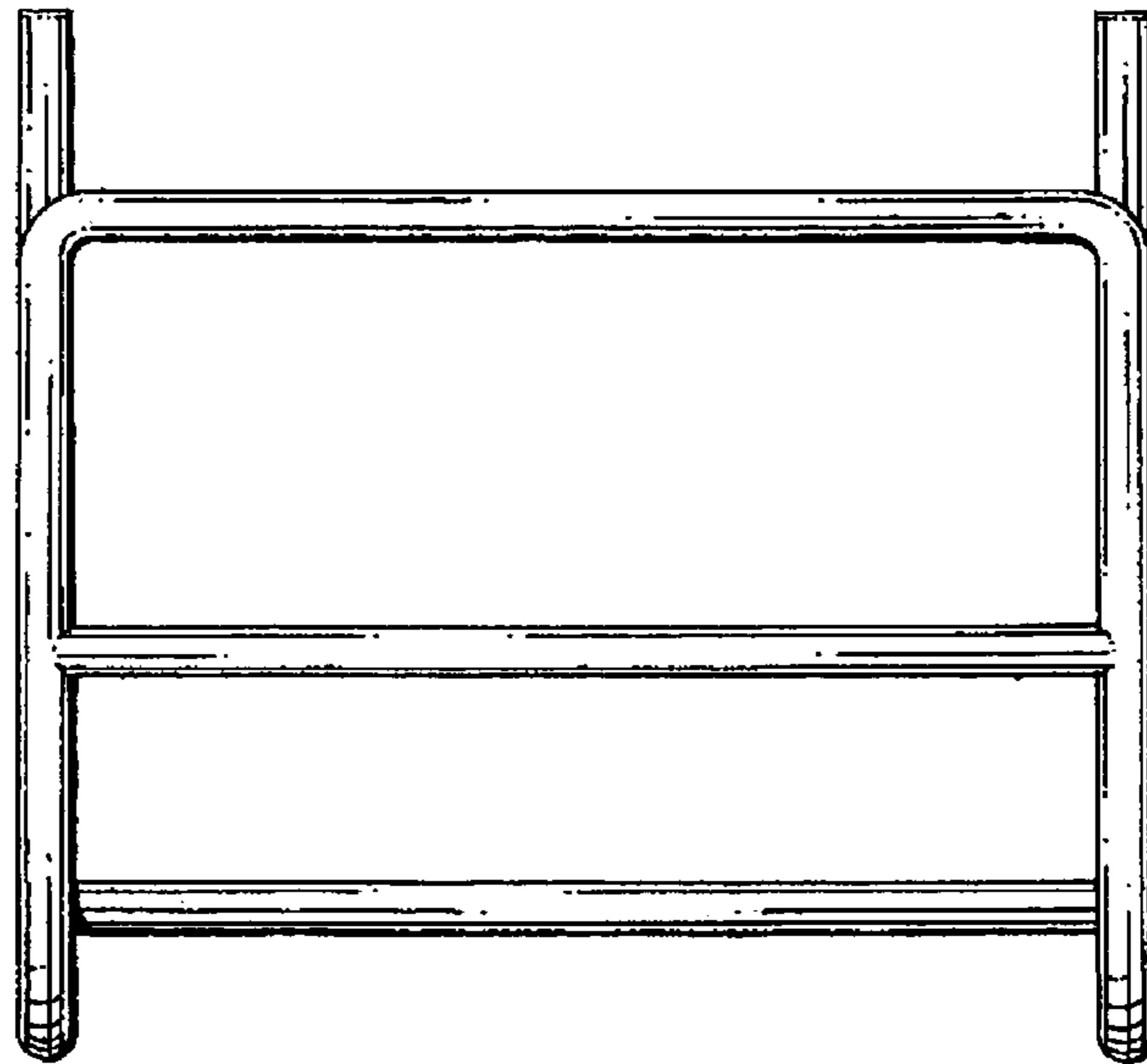


Fig. 2

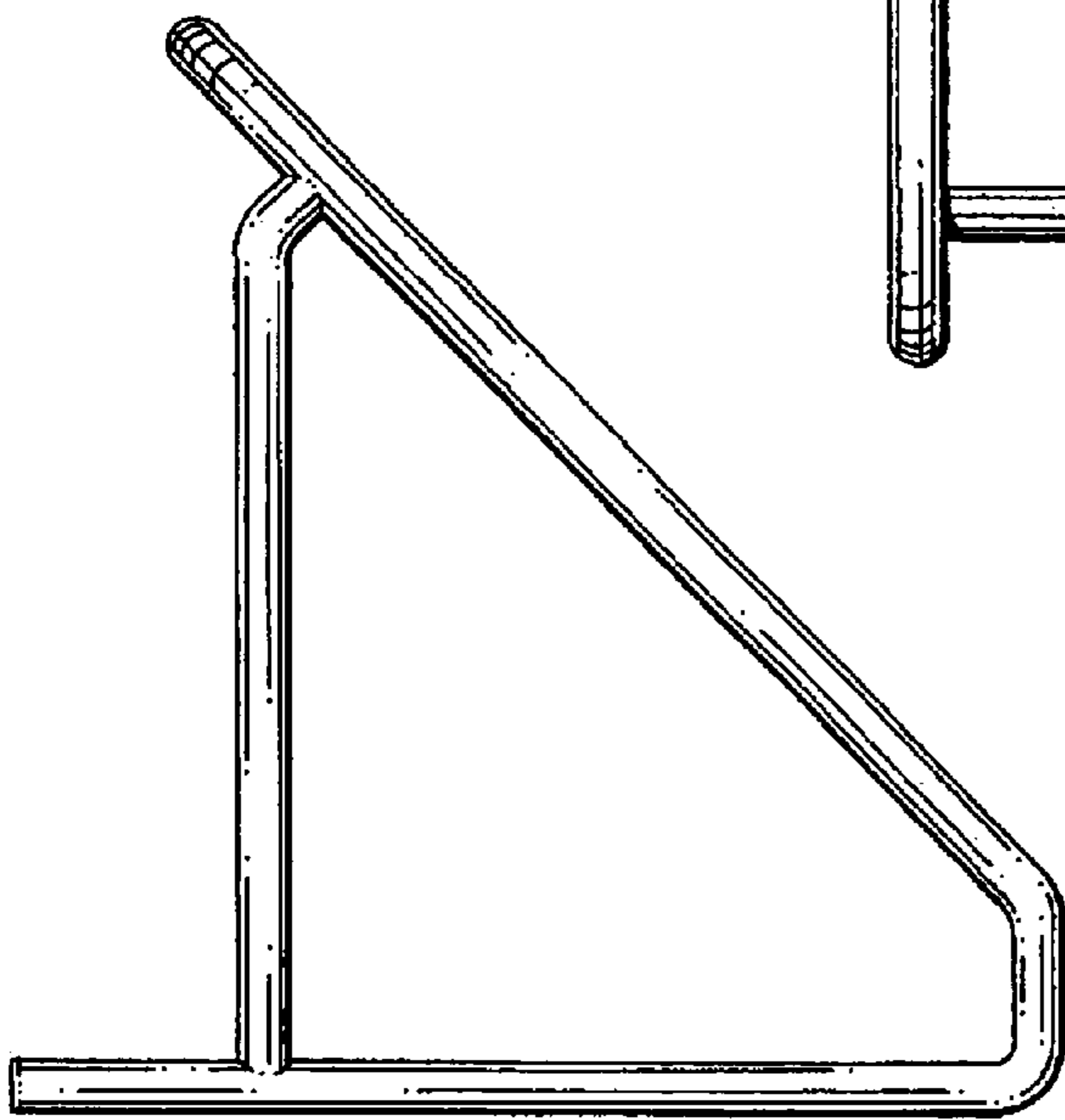


Fig. 4

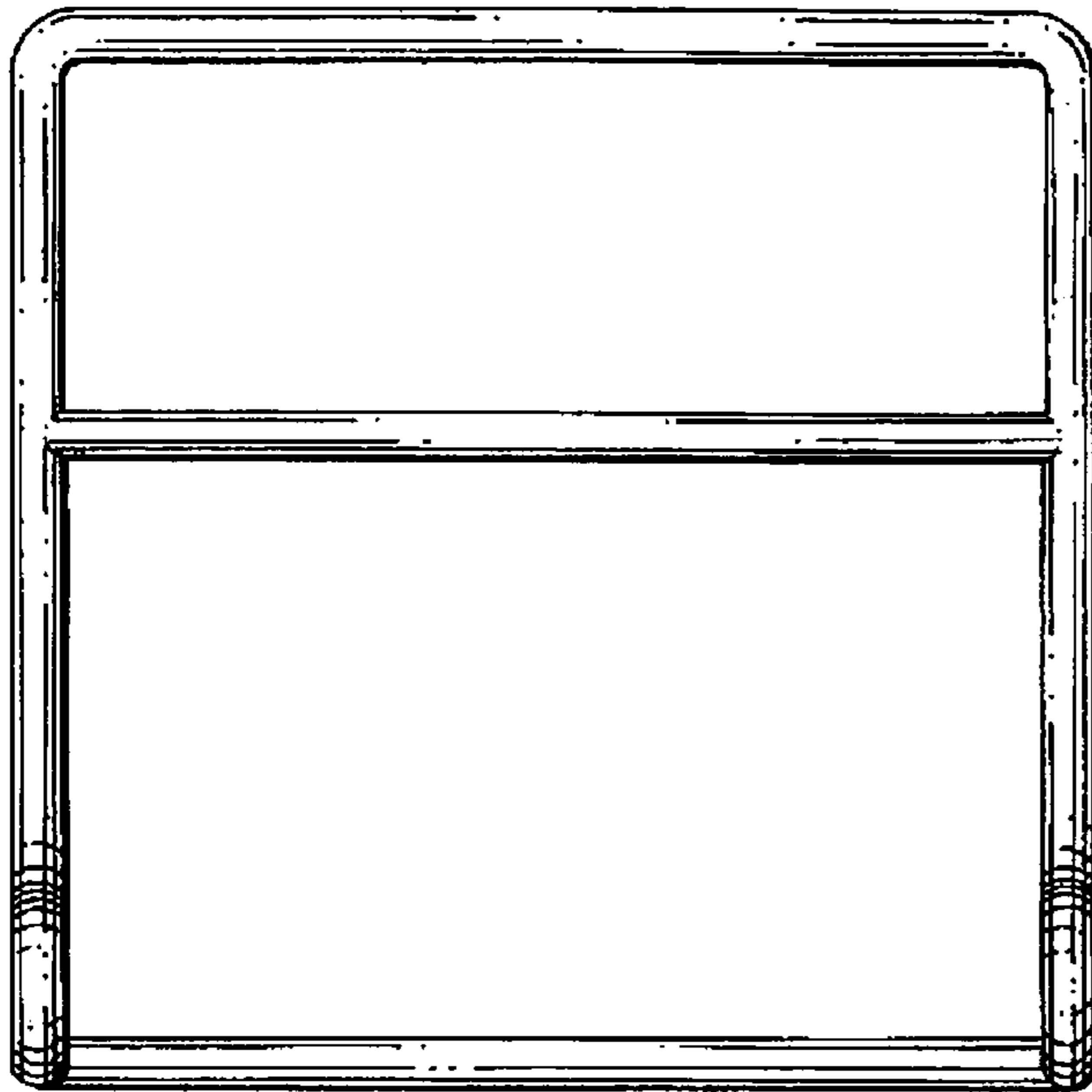


Fig. 6

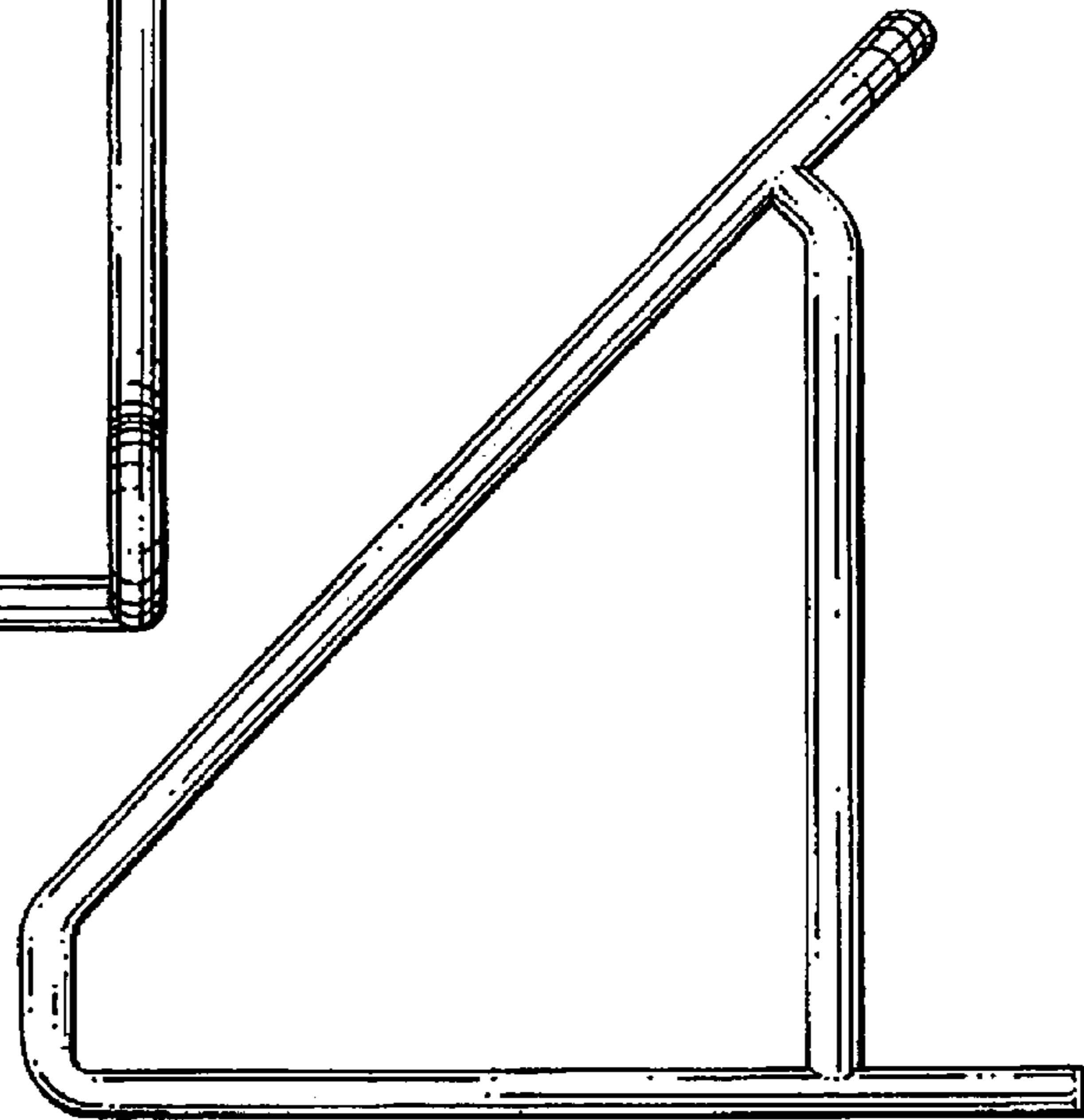


Fig. 5

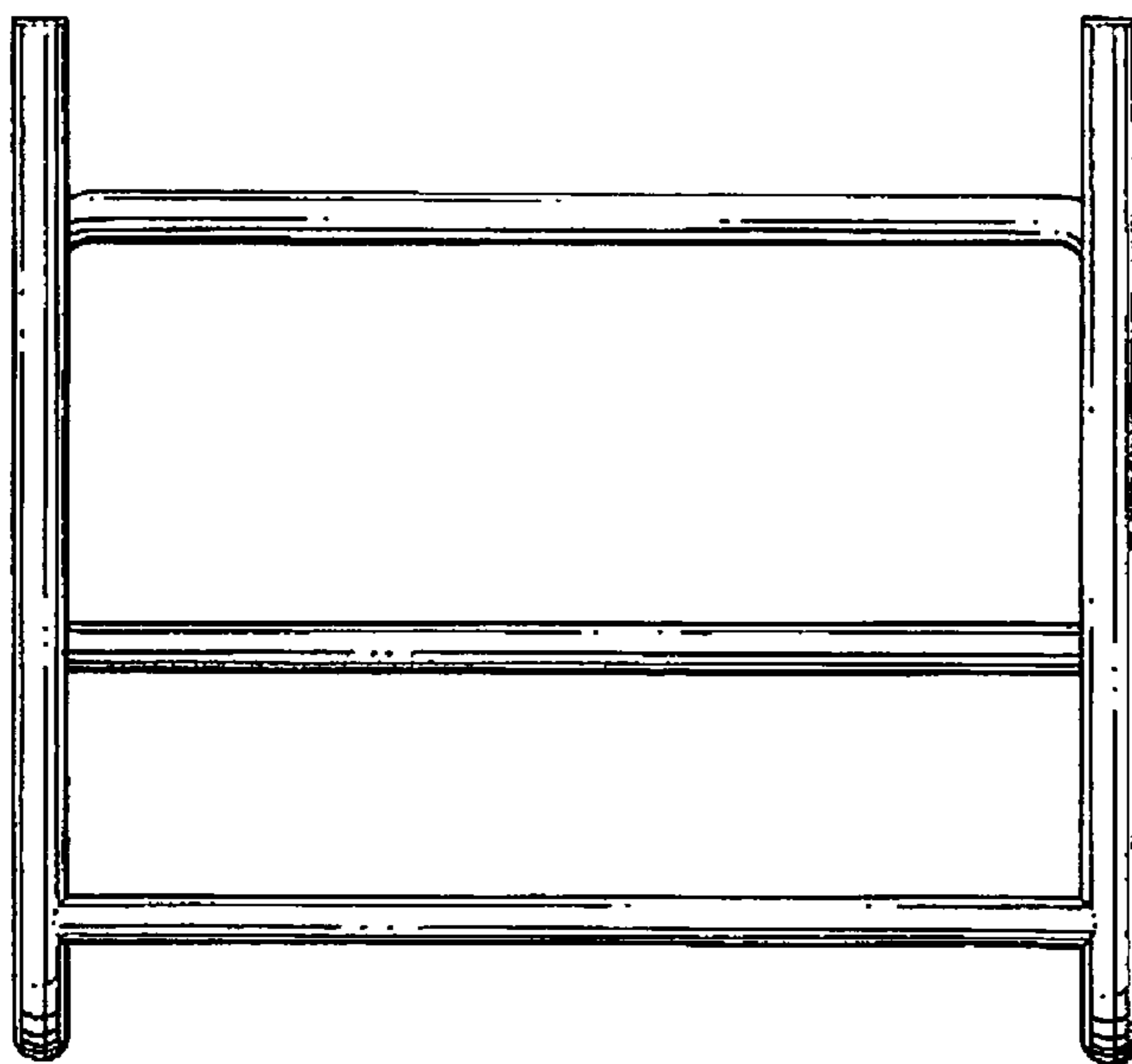


Fig. 3

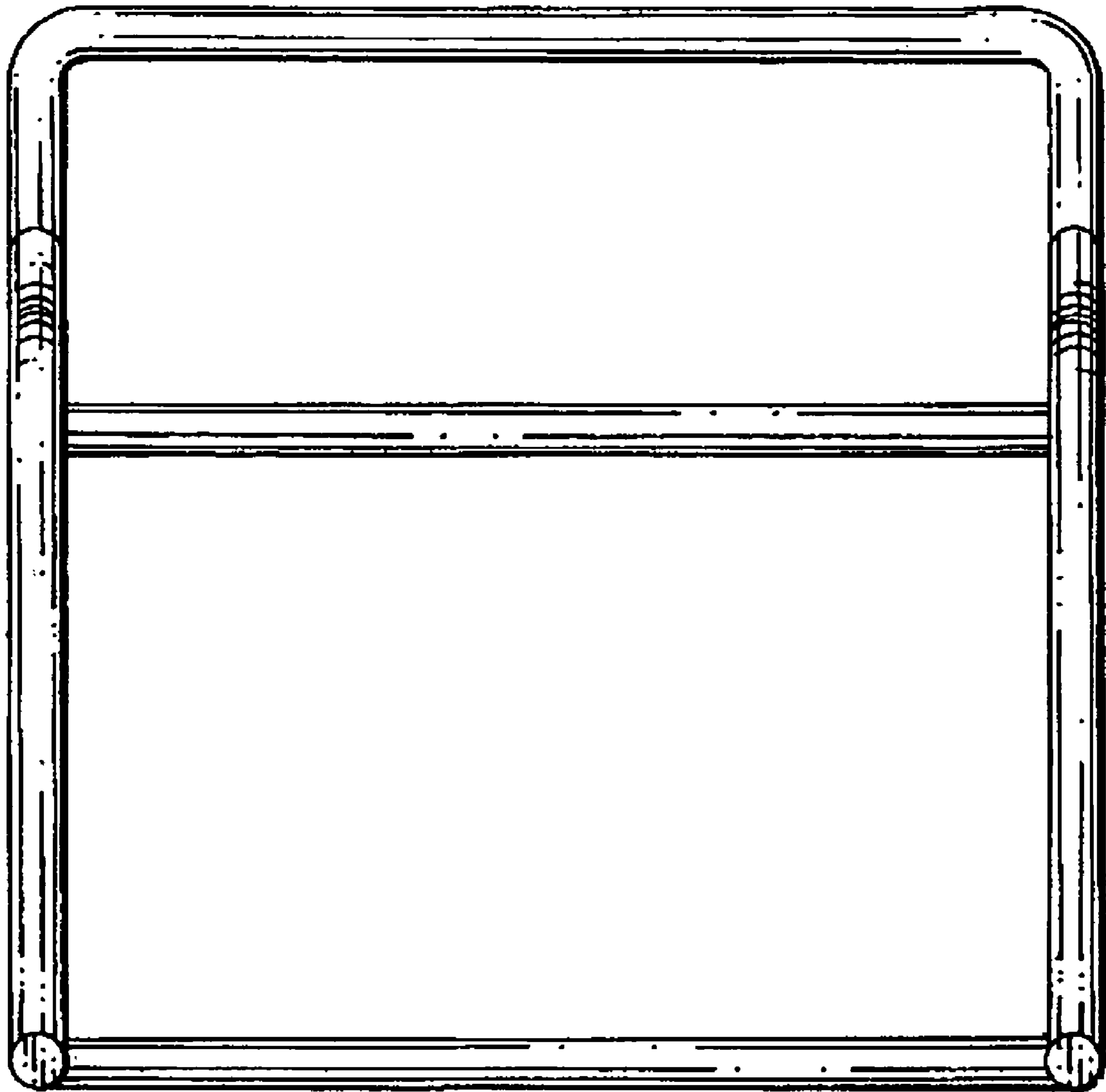


Fig. 7