

US00D635627S

(12) **United States Design Patent**
Nicolette

(10) **Patent No.:** **US D635,627 S**
(45) **Date of Patent:** **** Apr. 5, 2011**

(54) **GOLF CLUB HEAD**

(75) Inventor: **Michael R. Nicolette**, Scottsdale, AZ
(US)

(73) Assignee: **Karsten Manufacturing Corporation**,
Phoenix, AZ (US)

(**) Term: **14 Years**

(21) Appl. No.: **29/364,852**

(22) Filed: **Jun. 29, 2010**

(51) **LOC (9) Cl.** **21-02**

(52) **U.S. Cl.** **D21/759**

(58) **Field of Classification Search** D21/747-751,
D21/759; 473/324-331, 350

See application file for complete search history.

(56) **References Cited**

U.S. PATENT DOCUMENTS

55,278 A	5/1920	Kraeuter	
D234,608 S	3/1975	Raymont	
D240,841 S	8/1976	Solheim	
D256,264 S	8/1980	Solheim	
4,355,808 A	10/1982	Jernigan et al.	
D276,644 S	12/1984	Solheim	
5,014,993 A	5/1991	Antonious	
D318,512 S	7/1991	Piotrowski	
5,048,834 A	9/1991	Gorman	
D327,720 S *	7/1992	Antonious	D21/748
D330,577 S	10/1992	Solheim	
D331,272 S *	11/1992	Antonious	D21/749
D332,478 S *	1/1993	Antonious	D21/749
D332,812 S	1/1993	Solheim	
D344,778 S	3/1994	Solheim	
D357,293 S	4/1995	Solheim	
D357,294 S	4/1995	Solheim	
D368,127 S	3/1996	Solheim	
D379,393 S	5/1997	Kubica et al.	
D383,819 S	9/1997	Takahashi et al.	
5,665,013 A	9/1997	Kobayashi	
5,676,605 A	10/1997	Kobayashi	
D388,486 S	12/1997	Mahaffey	

(Continued)

OTHER PUBLICATIONS

Michael R. Nicolette et al., "Golf Club Head," U.S. Appl. No. 29/357,783, filed Mar. 17, 2010.

(Continued)

Primary Examiner — Mitchell I Siegel

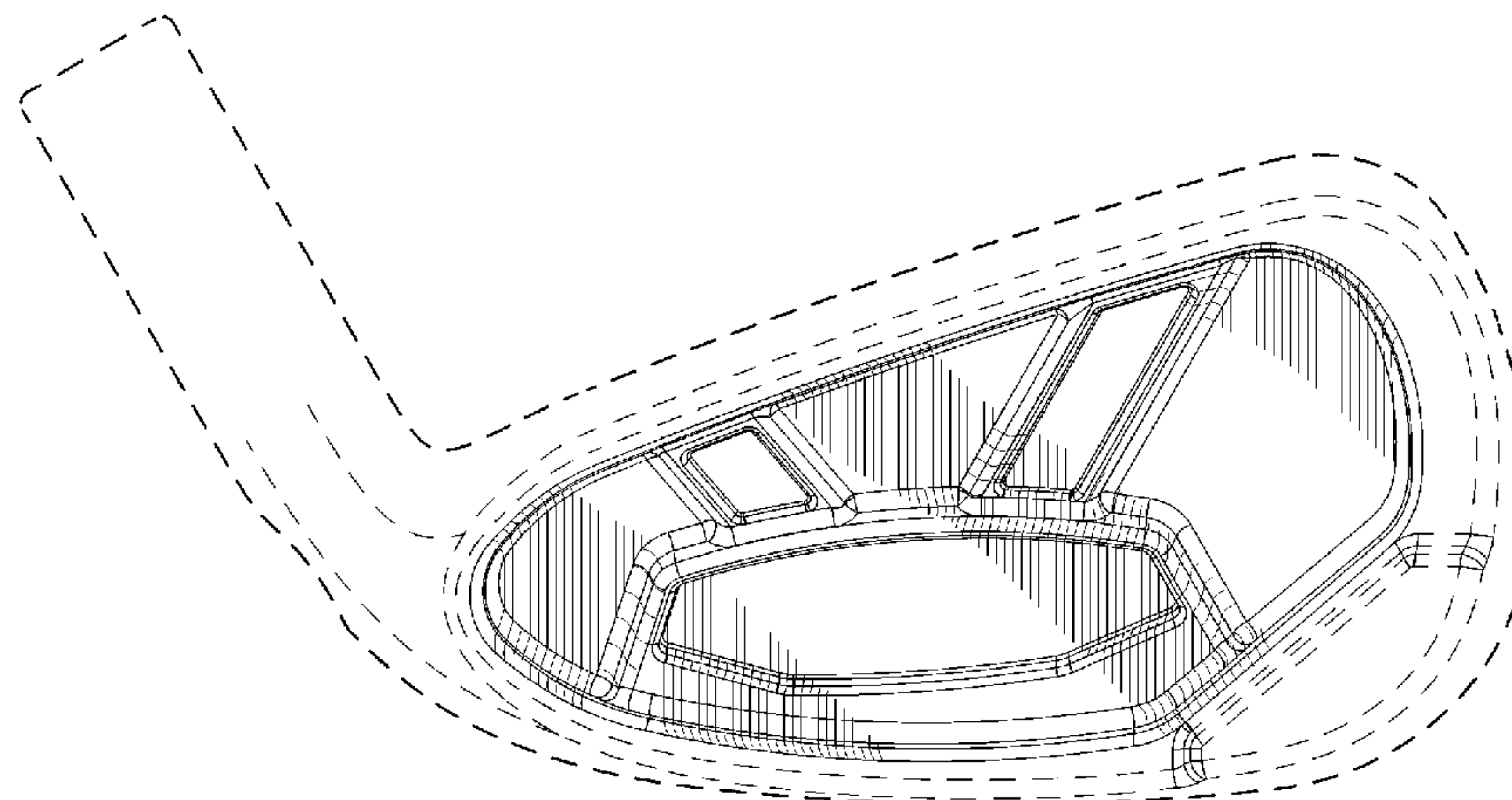
(57) **CLAIM**

The ornamental design for a golf club head, as shown and described.

DESCRIPTION

FIG. 1 is a top perspective view of a first embodiment of a golf club head;
 FIG. 2 is a bottom perspective view of the golf club head of FIG. 1;
 FIG. 3 is a front elevational view of the golf club head of FIG. 1;
 FIG. 4 is a rear elevational view of the golf club head of FIG. 1;
 FIG. 5 is a top view of the golf club head of FIG. 1;
 FIG. 6 is a bottom view of the golf club head of FIG. 1;
 FIG. 7 is a left side view of the golf club head of FIG. 1;
 FIG. 8 is a right side view of the golf club head of FIG. 1;
 FIG. 9 is a top perspective view of a second embodiment of a golf club head;
 FIG. 10 is a bottom perspective view of the golf club head of FIG. 9;
 FIG. 11 is a front elevational view of the golf club head of FIG. 9;
 FIG. 12 is a rear elevational view of the golf club head of FIG. 9;
 FIG. 13 is a top view of the golf club head of FIG. 9;
 FIG. 14 is a bottom view of the golf club head of FIG. 9;
 FIG. 15 is a left side view of the golf club head of FIG. 9; and,
 FIG. 16 is a right side view of the golf club head of FIG. 9.
 The broken lines shown in one or more of the figures are for illustrative purposes only and form no part of the claimed design.

1 Claim, 8 Drawing Sheets



U.S. PATENT DOCUMENTS

D392,356 S 3/1998 Burrows
D398,687 S 9/1998 Miyajima et al.
D411,272 S 6/1999 Burrows
5,921,869 A 7/1999 Blough et al.
D422,043 S 3/2000 Kubica et al.
D428,635 S 7/2000 Nagai et al.
D429,298 S 8/2000 Butler
D429,299 S 8/2000 Kubica et al.
D437,902 S 2/2001 Persinger
D437,906 S 2/2001 Gilbert
D442,659 S 5/2001 Kubica et al.
D443,008 S 5/2001 Kubica et al.
D444,195 S 6/2001 Wahl et al.
D458,328 S 6/2002 Solheim et al.
D465,253 S 11/2002 Best
D473,605 S 4/2003 Petersen et al.
D475,108 S 5/2003 Madore
D492,376 S 6/2004 Nicolette et al.
D494,648 S 8/2004 Schweigert et al.
D500,350 S 12/2004 Schweigert et al.
D500,351 S 12/2004 Schweigert et al.
D502,237 S 2/2005 Schweigert et al.
D502,975 S 3/2005 Schweigert et al.
D503,204 S 3/2005 Nicolette et al.
D504,925 S 5/2005 Schweigert et al.
D505,171 S 5/2005 Schweigert et al.
D507,614 S 7/2005 Schweigert et al.
6,921,344 B2 7/2005 Gilbert et al.
D508,099 S 8/2005 Schweigert et al.
D514,183 S 1/2006 Schweigert et al.
D516,152 S 2/2006 Madore
D517,625 S 3/2006 Sanchez et al.
D518,538 S 4/2006 Ines et al.
D519,179 S 4/2006 Roberts et al.
D523,501 S 6/2006 Nicolette et al.
D530,759 S 10/2006 Nicolette et al.
D530,760 S 10/2006 Schweigert et al.
7,125,343 B2 10/2006 Imamoto
D532,849 S 11/2006 Nicolette et al.
D534,228 S 12/2006 Nicolette et al.
D534,595 S 1/2007 Hasebe
D534,597 S 1/2007 Nicolette et al.
D536,759 S 2/2007 Schweigert et al.
D537,494 S 2/2007 Jertson et al.
D538,366 S 3/2007 Nicolette et al.
D539,862 S 4/2007 Nunez et al.
D539,864 S 4/2007 Nicolette et al.
D540,898 S 4/2007 Solheim et al.
D541,360 S 4/2007 Schweigert et al.
D544,056 S 6/2007 Nicolette et al.
D554,212 S 10/2007 Nunez et al.
D554,215 S * 10/2007 Ruggiero et al. D21/759

D554,217 S * 10/2007 Ruggiero et al. D21/759
D554,218 S * 10/2007 Ruggiero et al. D21/759
D559,931 S 1/2008 Roach et al.
D561,855 S 2/2008 Schweigert et al.
D562,925 S 2/2008 Schweigert et al.
D570,435 S 6/2008 Sanchez et al.
D570,935 S 6/2008 Nicolette et al.
D570,936 S 6/2008 Schweigert et al.
D571,422 S 6/2008 Schweigert et al.
D571,881 S 6/2008 Nicolette et al.
D572,326 S 7/2008 Schweigert et al.
D572,329 S 7/2008 Nicolette et al.
D573,219 S 7/2008 Schweigert et al.
D577,783 S 9/2008 Schweigert et al.
D578,590 S 10/2008 Schweigert et al.
D581,000 S 11/2008 Nicolette et al.
D596,256 S * 7/2009 Schweigert et al. D21/759
D596,257 S * 7/2009 Jertson et al. D21/759
D596,258 S * 7/2009 Jertson et al. D21/759
D596,688 S * 7/2009 Schweigert et al. D21/759
D597,158 S 7/2009 Schweigert et al.
D601,216 S 9/2009 Jertson et al.
D607,073 S * 12/2009 Jertson et al. D21/759
D621,893 S * 8/2010 Nicolette et al. D21/759
D621,894 S * 8/2010 Schweigert D21/759
2003/0119602 A1 6/2003 Kennedy, III et al.
2005/0096156 A1 5/2005 Chen
2006/0258480 A1 11/2006 Hou et al.
2007/0117653 A1 5/2007 Yoneyama
2009/0029790 A1 * 1/2009 Nicolette et al. 473/349
2009/0118033 A1 5/2009 Nakamura
2009/0149277 A1 * 6/2009 Deng et al. 473/350

OTHER PUBLICATIONS

Bradley D. Schweigert, "Golf Club Head," U.S. Appl. No. 29/357,788, filed Mar. 17, 2010.
Bradley D. Schweigert et al., "Badge for a Golf Club Head," U.S. Appl. No. 29/357,791, filed Mar. 17, 2010.
Michael R. Nicolette et al., "Club Head Sets With Varying Characteristics and Related Methods," U.S. Appl. No. 12/791,740, filed Jun. 1, 2010.
Michael R. Nicolette et al., "Club Head Sets With Varying Characteristics and Related Methods," U.S. Appl. No. 12/791,738, filed Jun. 1, 2010.
Michael R. Nicolette et al., "Club Head Sets With Varying Characteristics and Related Methods," U.S. Appl. No. 12/791,734, filed Jun. 1, 2010.
Michael R. Nicolette et al., "Golf Club Head," U.S. Appl. No. 29/361,126, filed May 5, 2010.

* cited by examiner

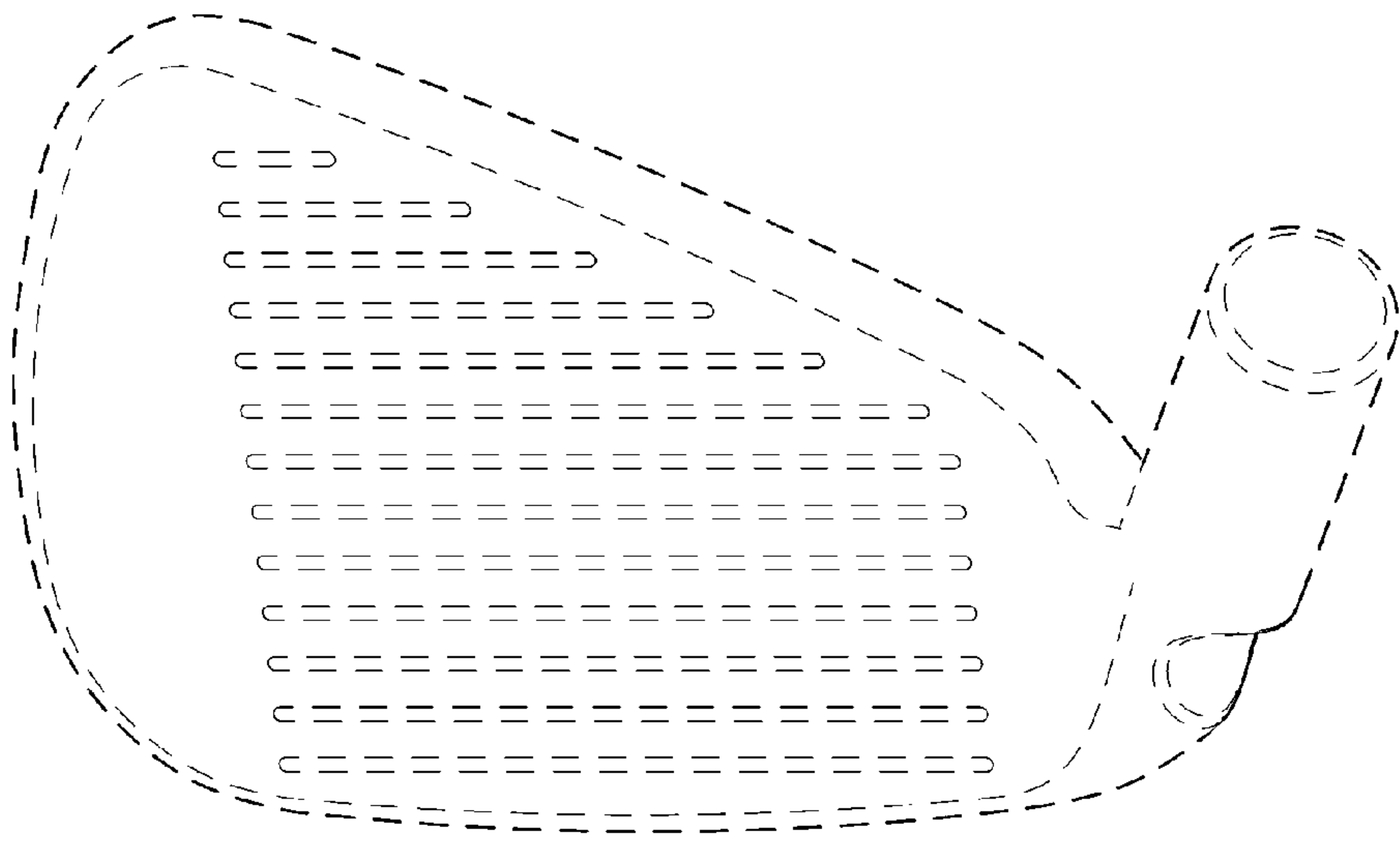


Fig. 1

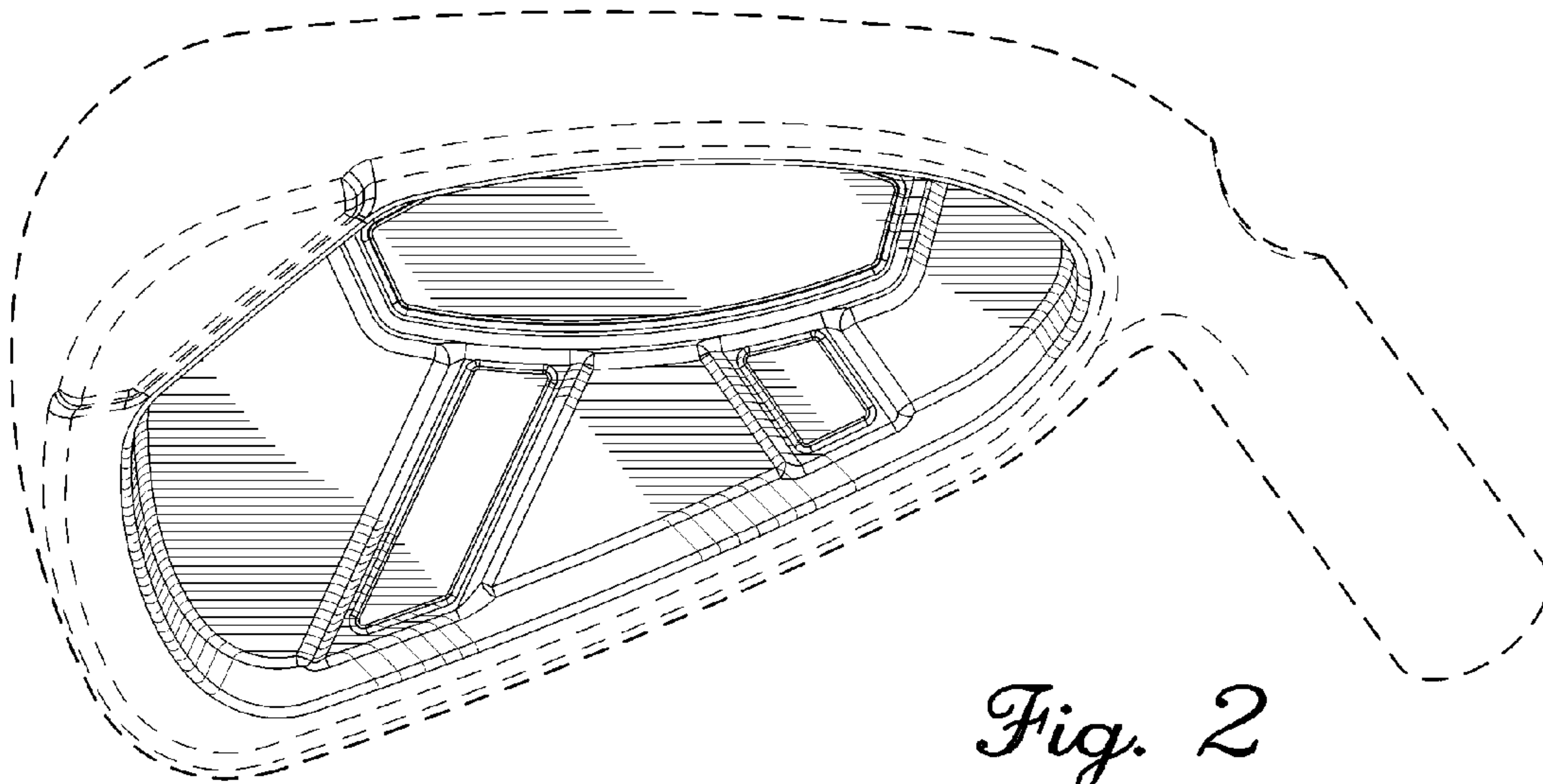


Fig. 2

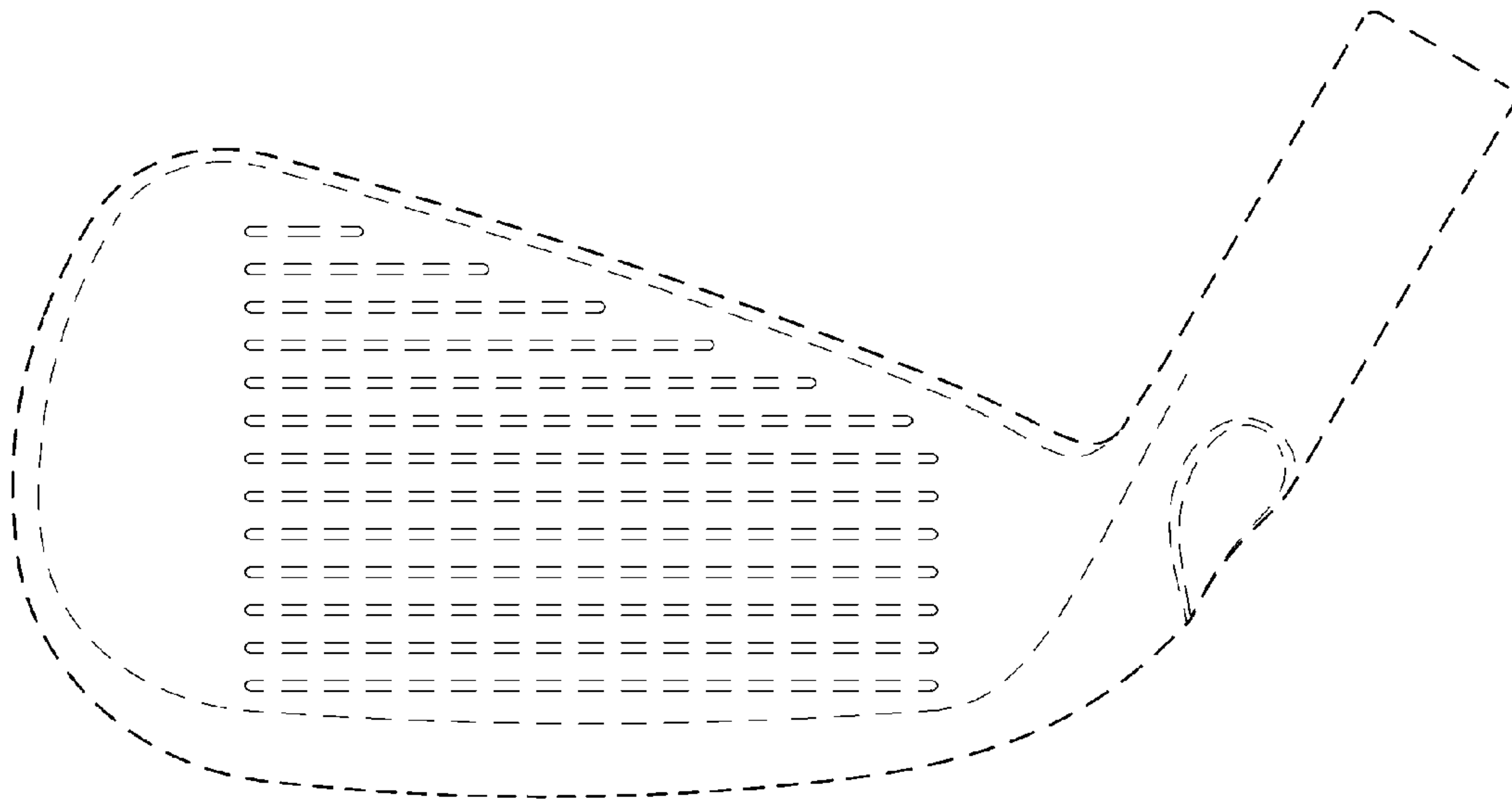


Fig. 3

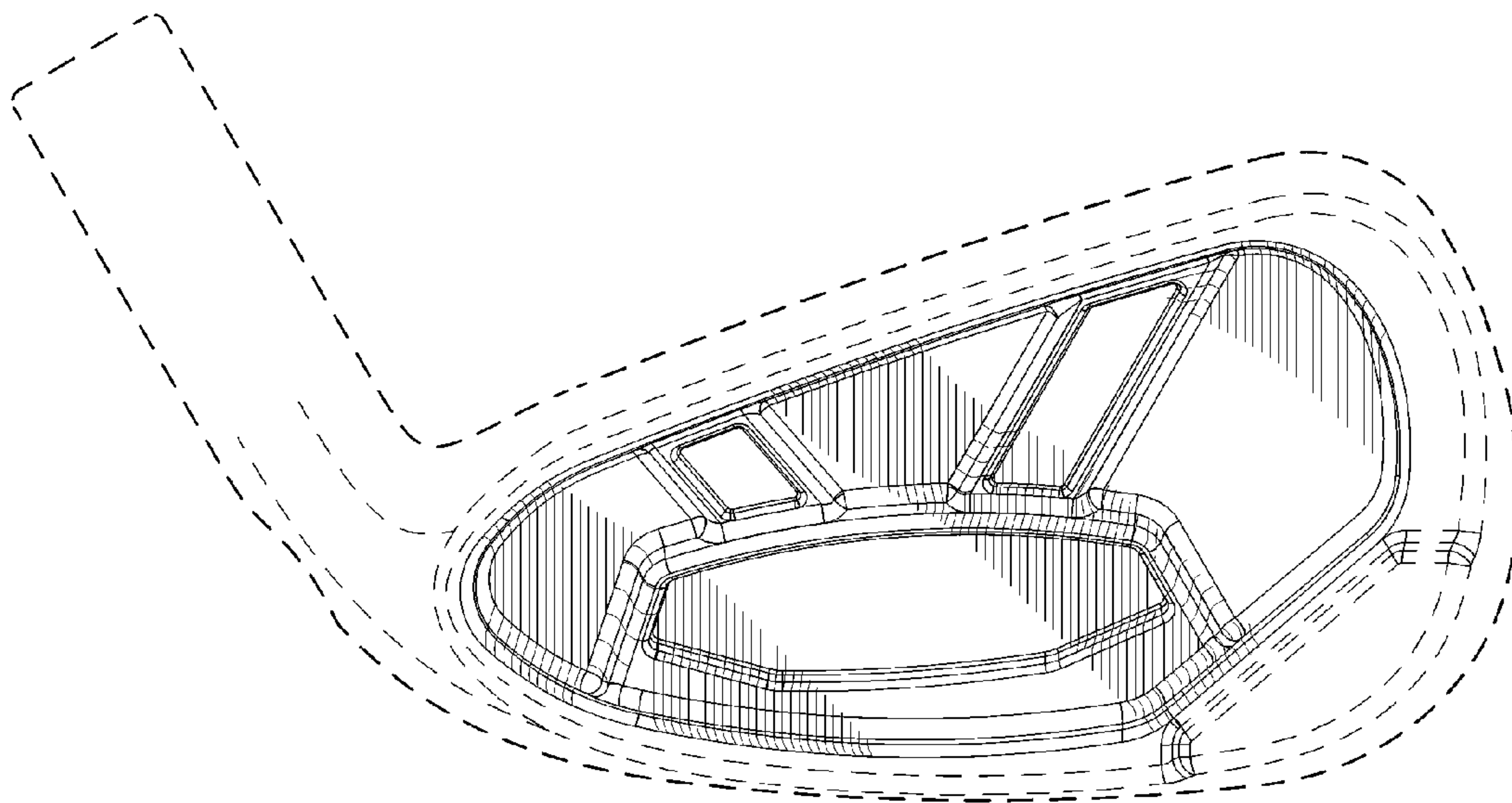


Fig. 4

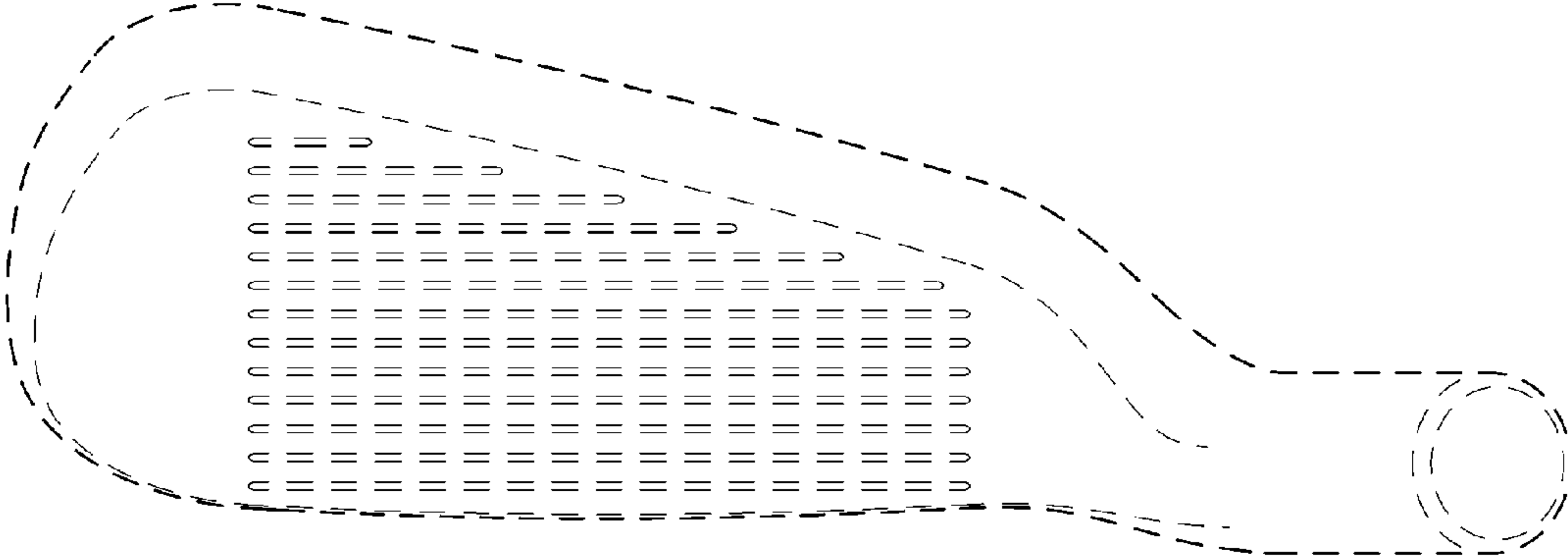


Fig. 5

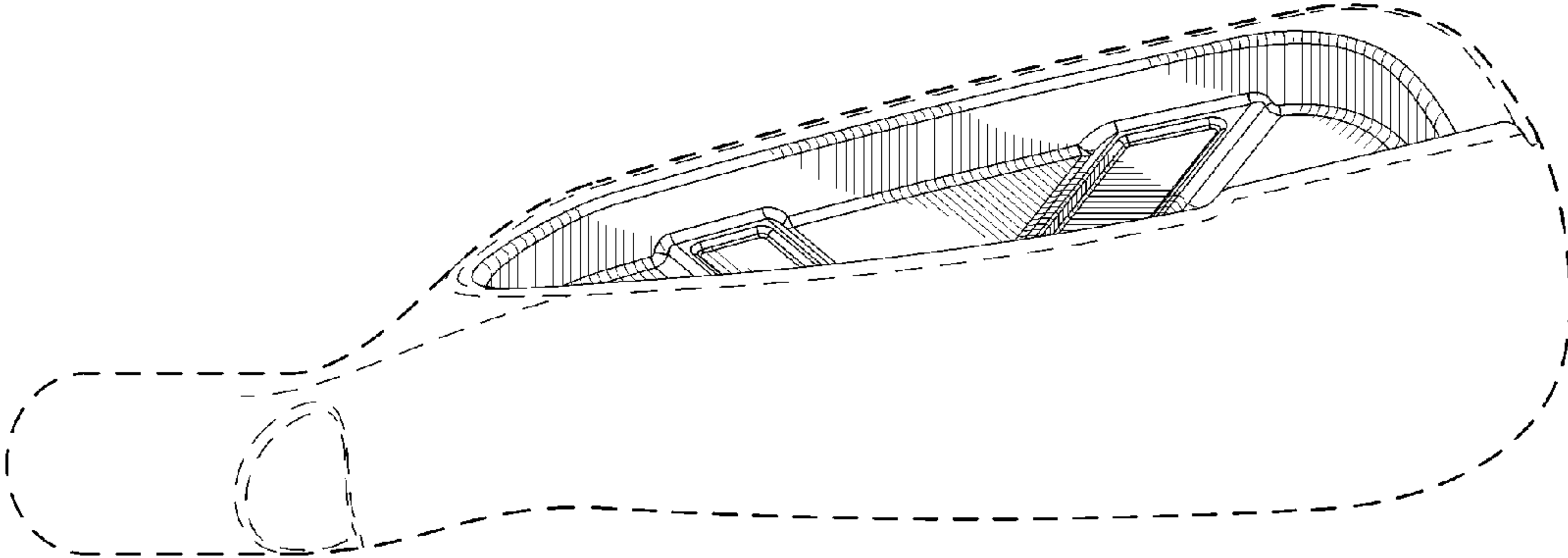


Fig. 6

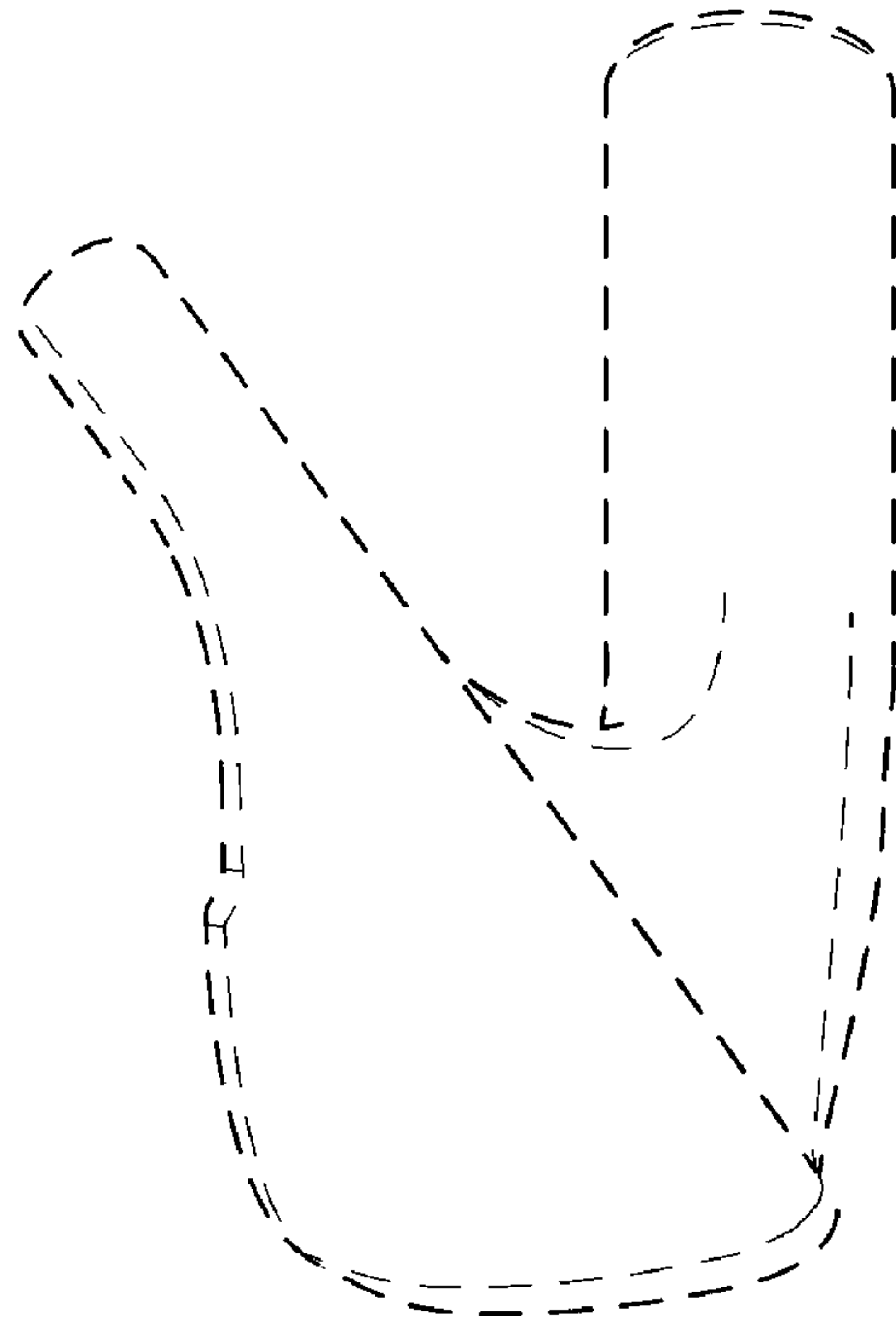


Fig. 7

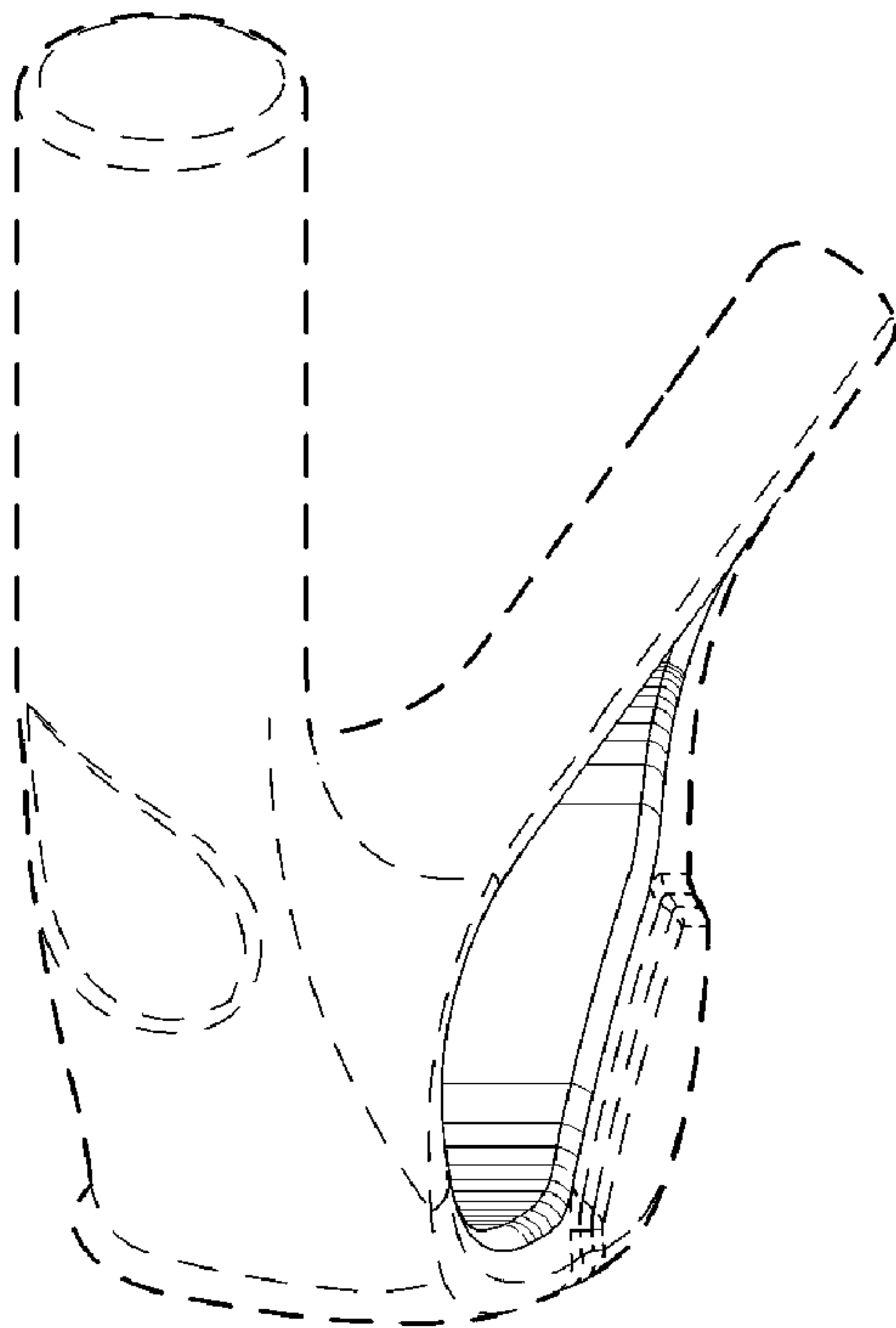


Fig. 8

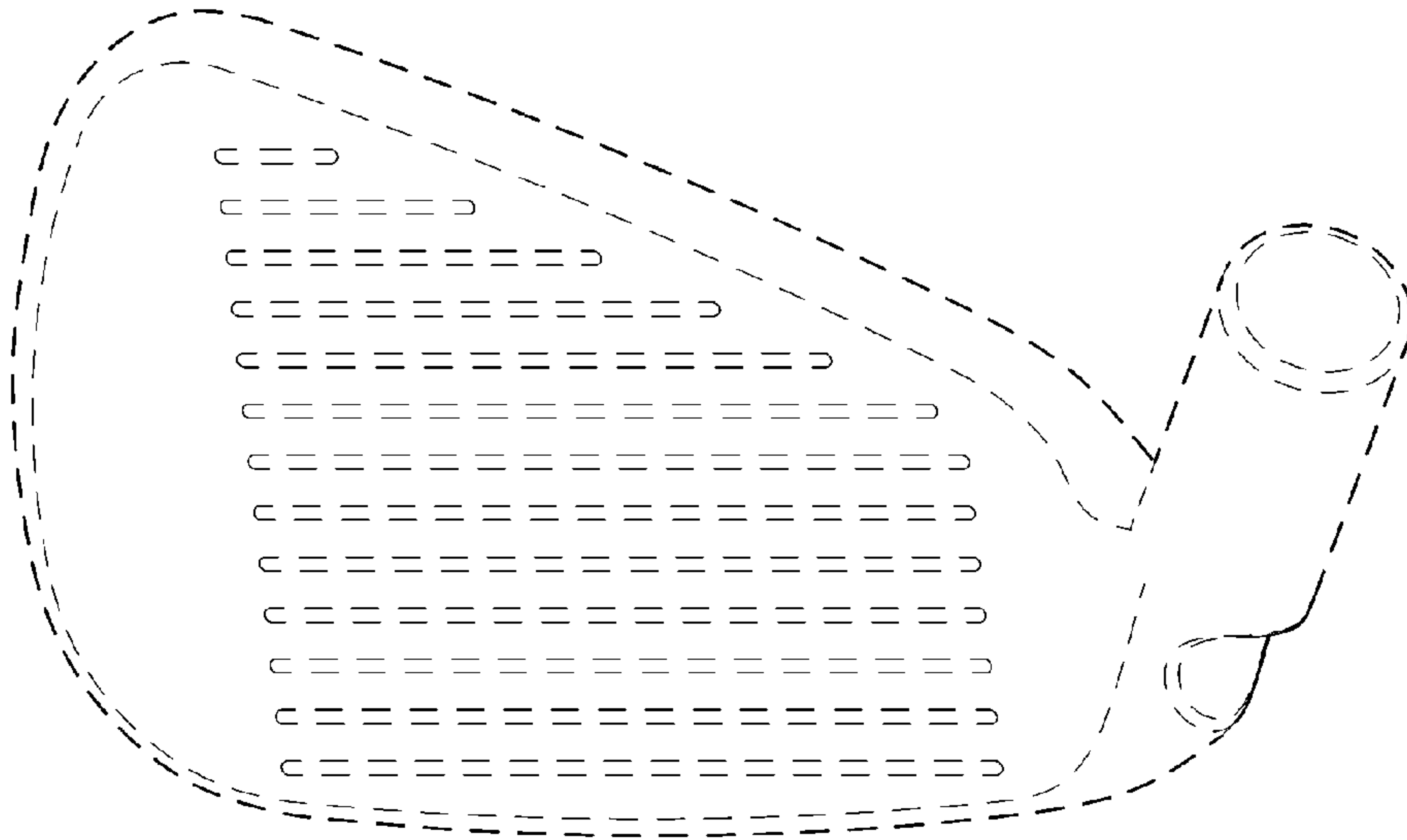


Fig. 9

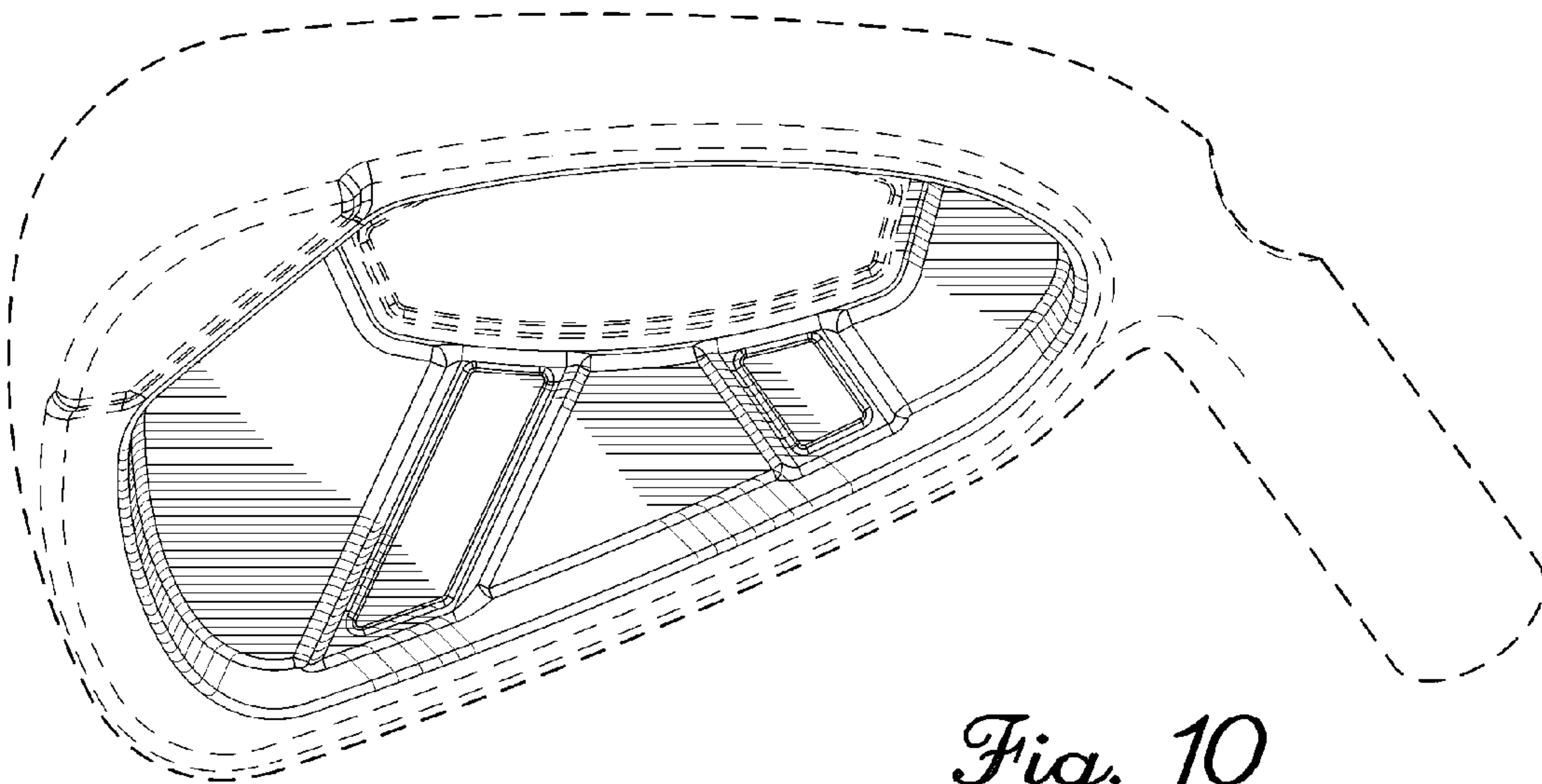


Fig. 10

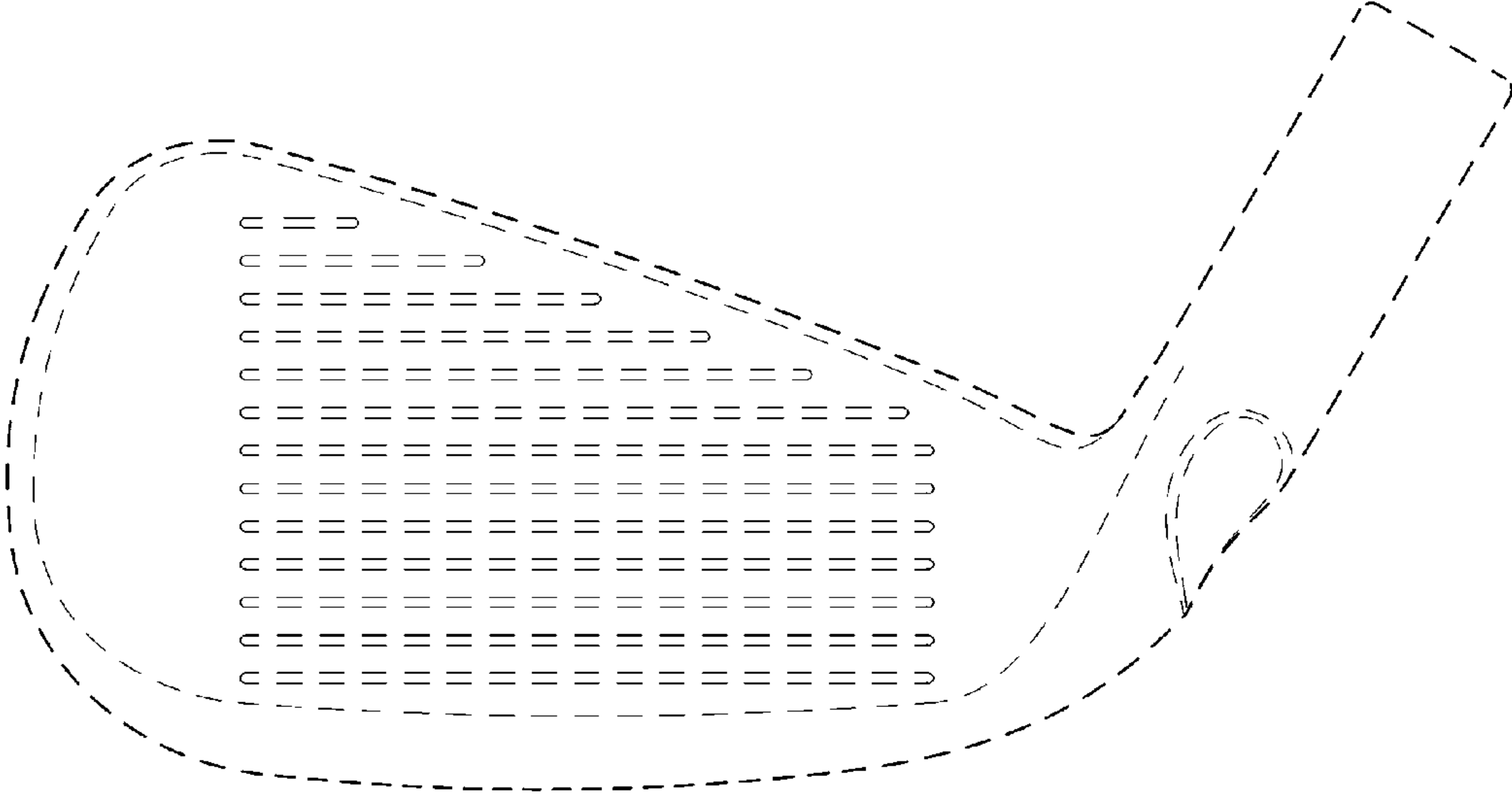


Fig. 11

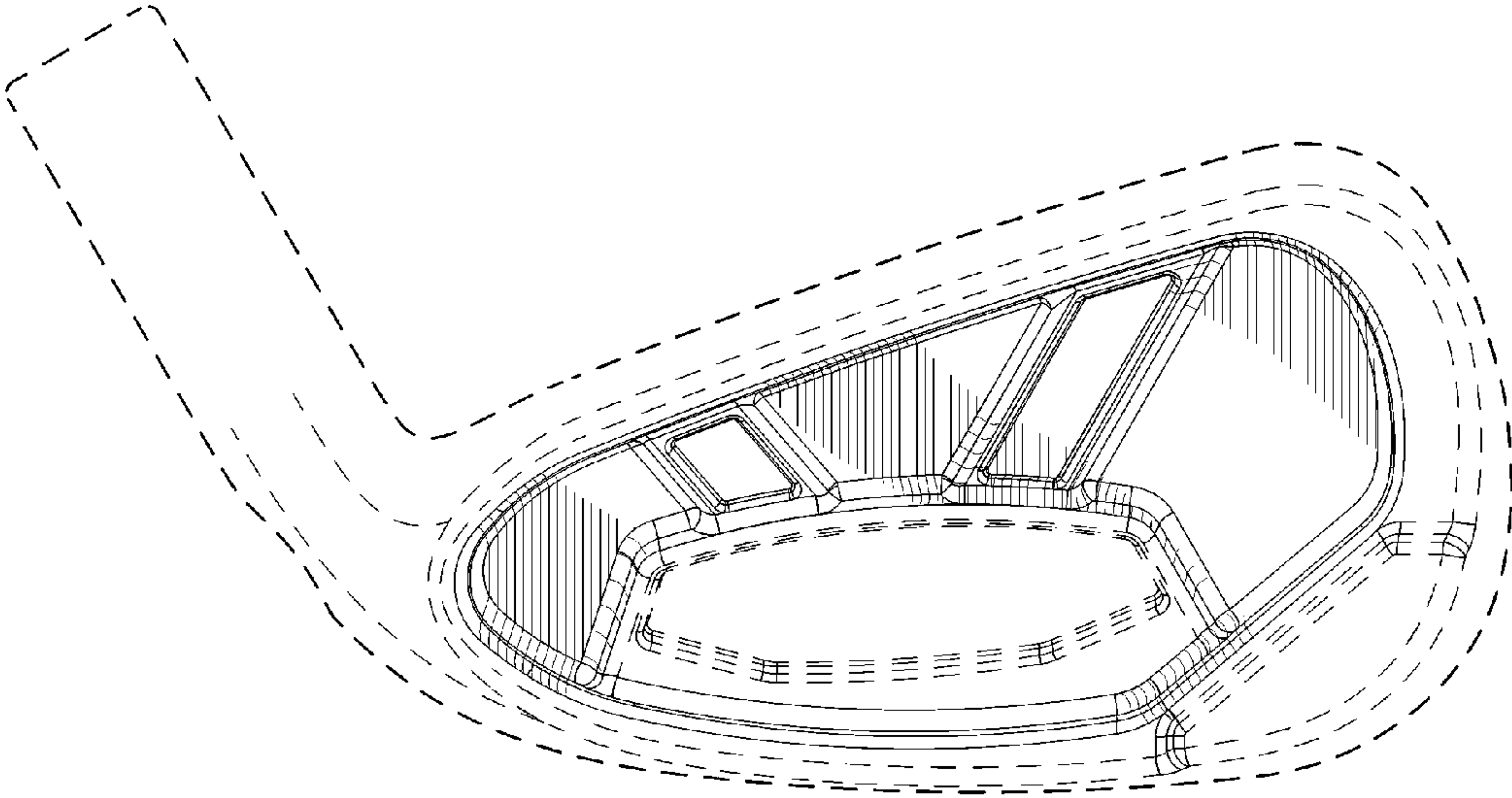


Fig. 12

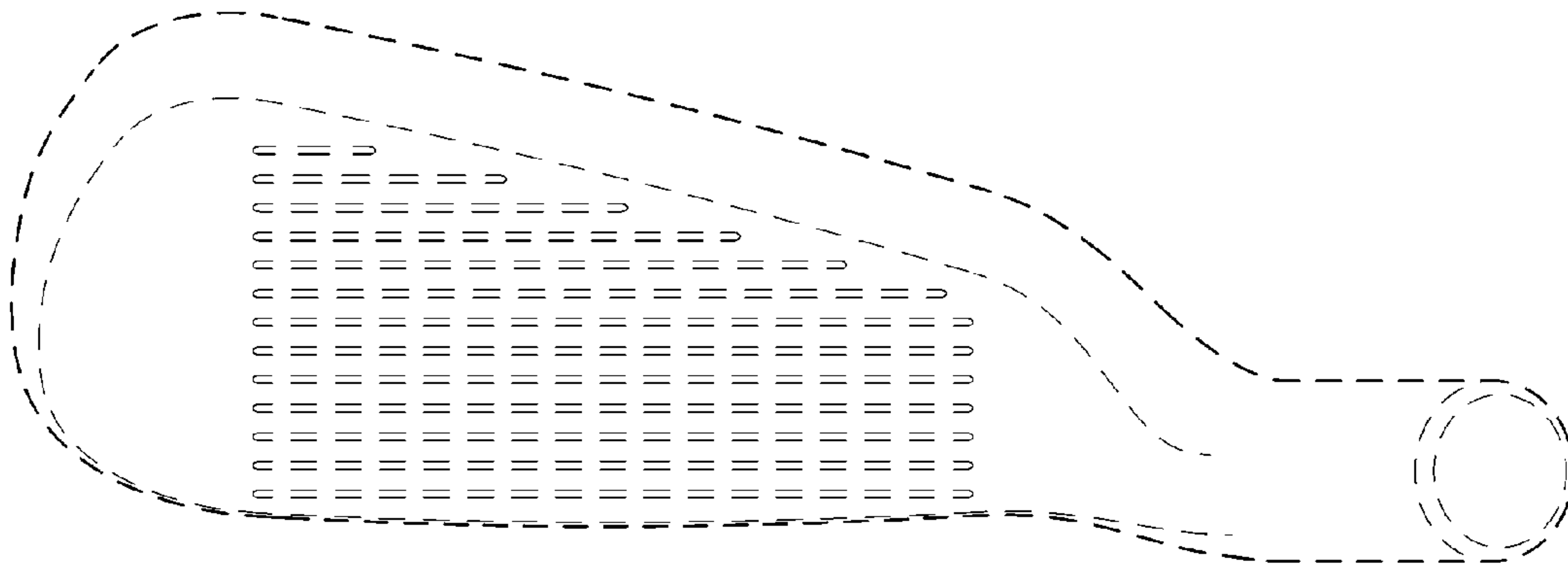


Fig. 13

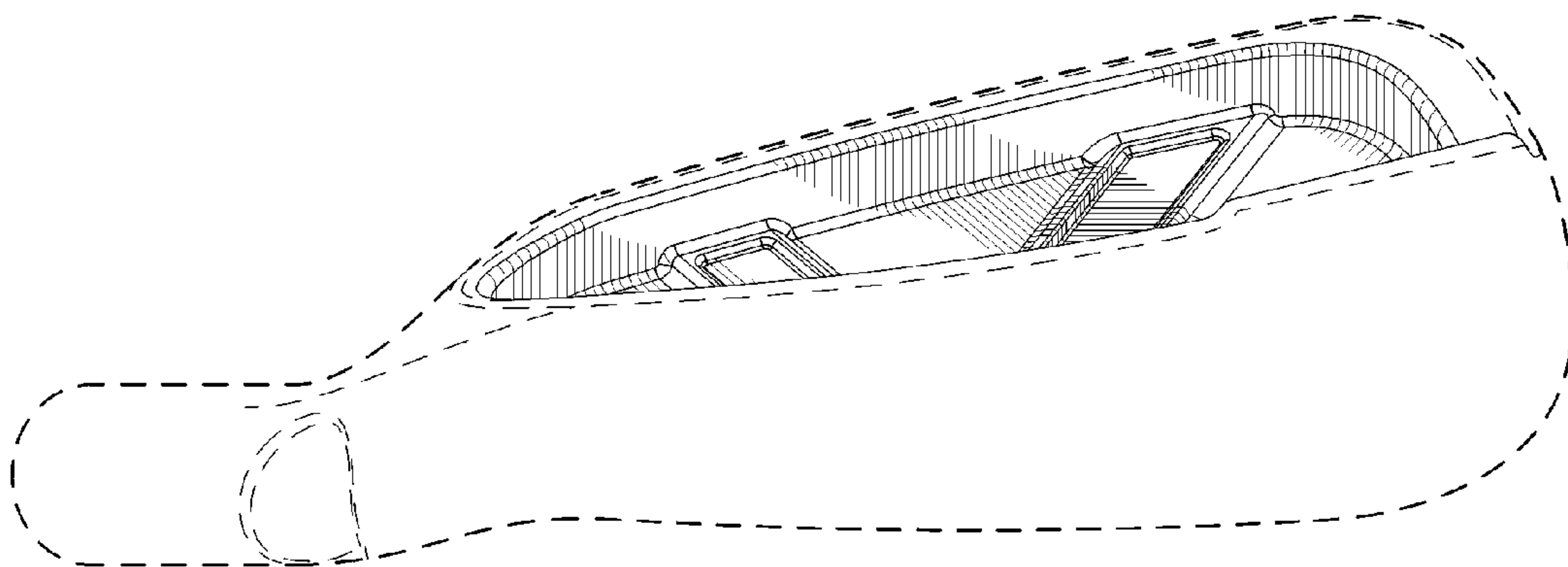


Fig. 14

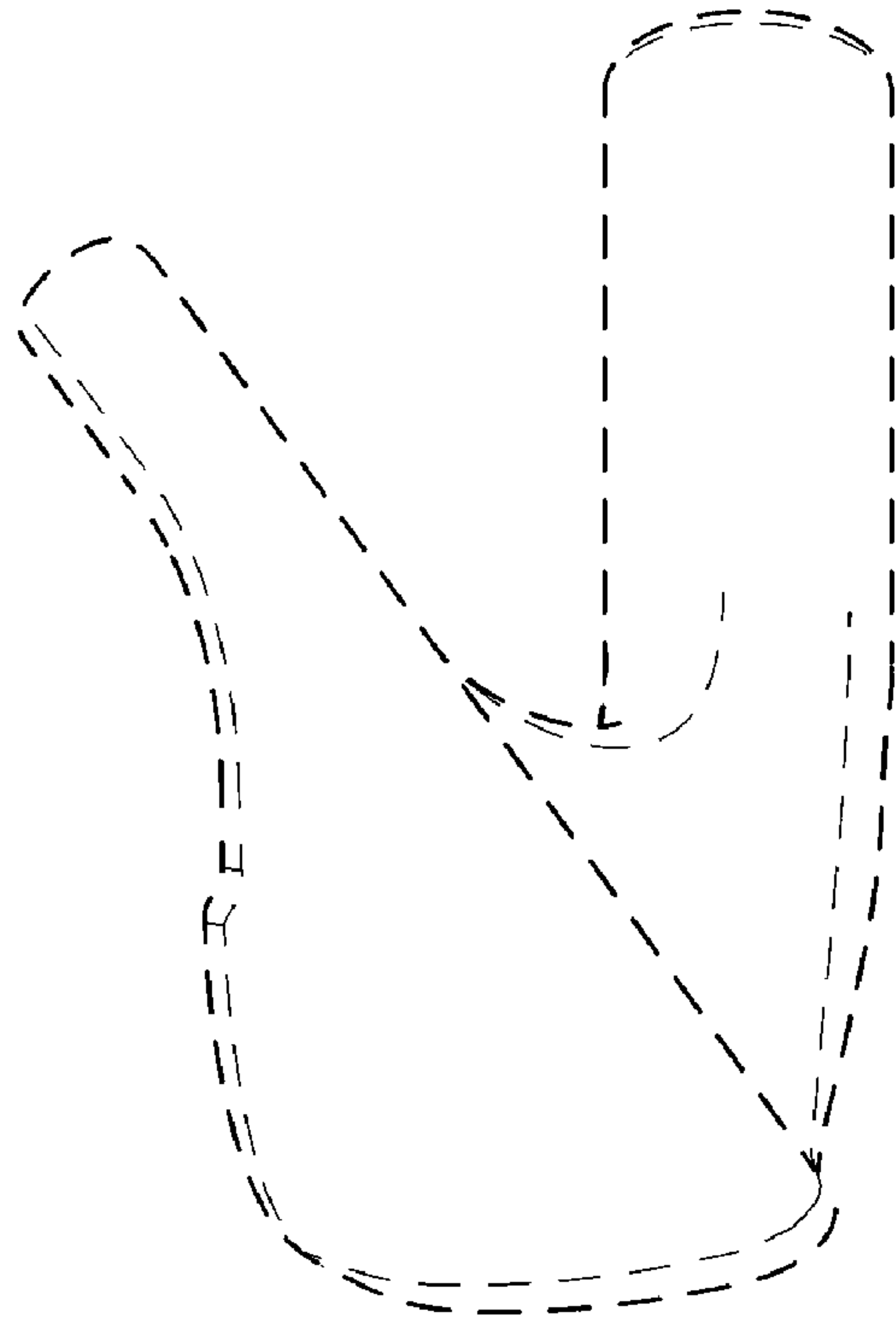


Fig. 15

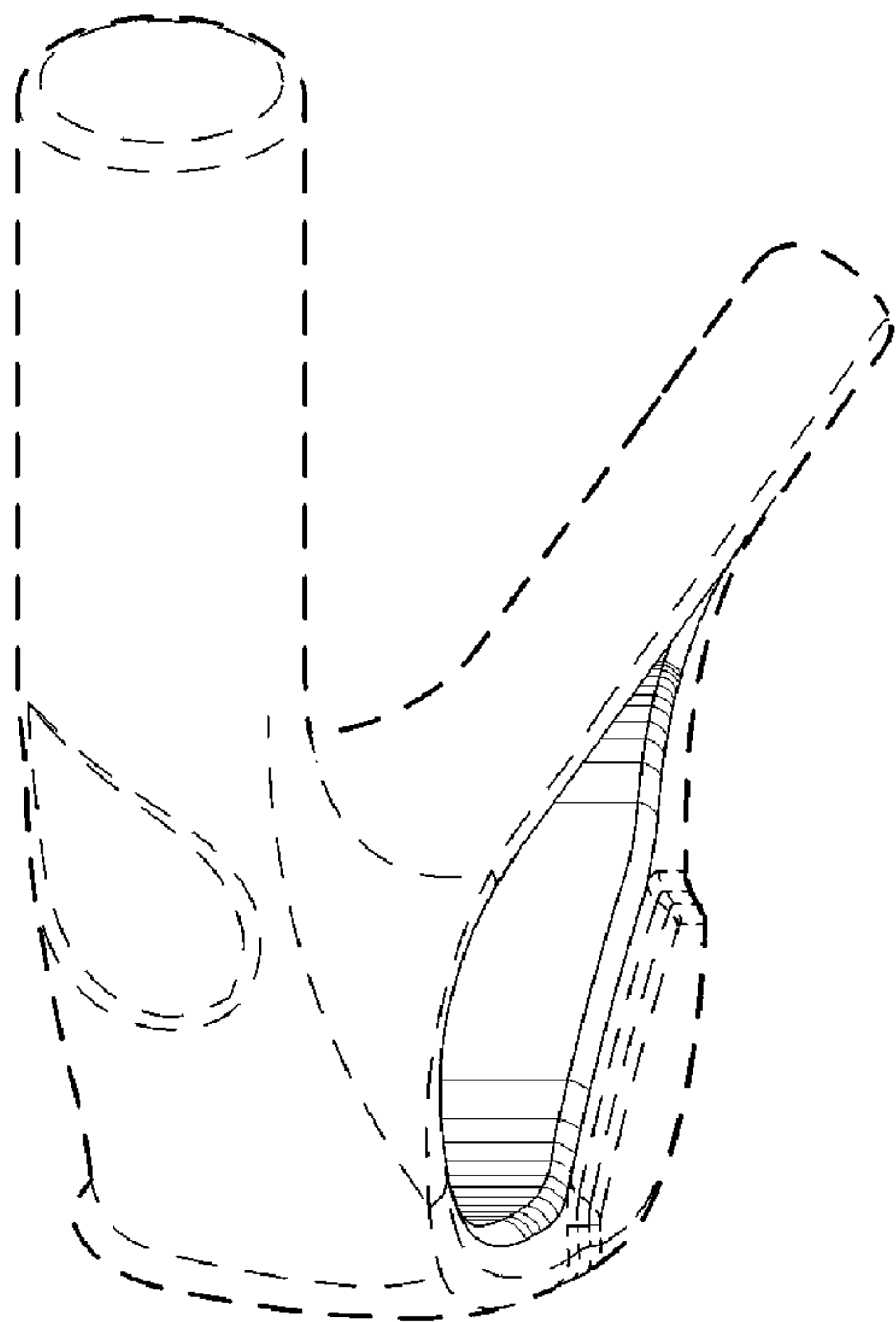


Fig. 16