



US00D635623S

(12) **United States Design Patent**
Wright

(10) **Patent No.:** **US D635,623 S**

(45) **Date of Patent:** **** Apr. 5, 2011**

(54) **EXERCISE PLATFORM**

(76) **Inventor:** **Andrew D. Wright**, Cottonwood Heights, UT (US)

(**) **Term:** **14 Years**

(21) **Appl. No.:** **29/362,969**

(22) **Filed:** **Jun. 2, 2010**

(51) **LOC (9) Cl.** **21-02**

(52) **U.S. Cl.** **D21/686**

(58) **Field of Classification Search** D21/662,
D21/671, 686, 691, 694, 797-798, 818, 826;
482/27, 36, 42, 51, 52, 93, 135, 142, 146
See application file for complete search history.

D478,955 S * 8/2003 Chen D21/797
D509,548 S * 9/2005 Heitzman et al. D21/662
D511,363 S * 11/2005 Nicholson D21/818
7,374,522 B2 5/2008 Arnold
D599,419 S * 9/2009 Chiuchiarelli D21/686
7,713,175 B2 * 5/2010 Monaghan 482/51
2003/0216221 A1 * 11/2003 Iverson 482/51
2007/0232461 A1 * 10/2007 Jenkins et al. 482/93

* cited by examiner

Primary Examiner — Susan E Krakower

(74) *Attorney, Agent, or Firm* — Dale J. Ream

(57) **CLAIM**

The ornamental design for an exercise platform, as shown and described.

DESCRIPTION

FIG. 1 is a perspective view of an exercise platform showing my new design;

FIG. 2 is a side view, all other side views being a mirror image thereof;

FIG. 3 is a top view thereof;

FIG. 4 is a bottom view thereof; and,

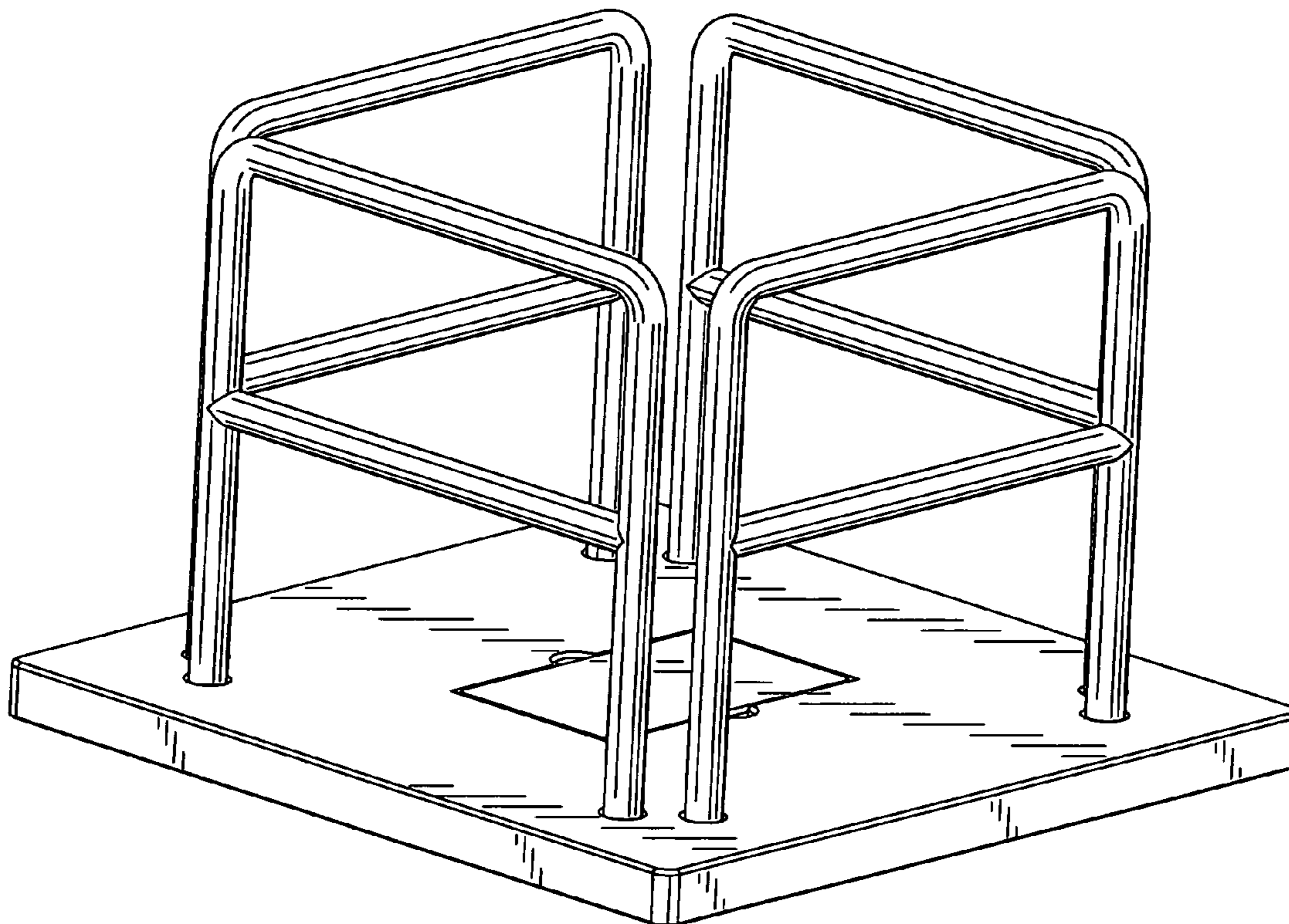
FIG. 5 is an exploded perspective view thereof.

1 Claim, 5 Drawing Sheets

(56) **References Cited**

U.S. PATENT DOCUMENTS

3,114,545 A * 12/1963 Horn 482/142
4,549,732 A * 10/1985 Hoffman 482/51
D288,833 S * 3/1987 Skalka D21/826
D352,540 S * 11/1994 Harger D21/691
5,447,484 A * 9/1995 Chandler 482/146
5,454,771 A 10/1995 Wilson-Hyde
5,533,950 A 7/1996 Lochbaum
6,176,817 B1 1/2001 Carey



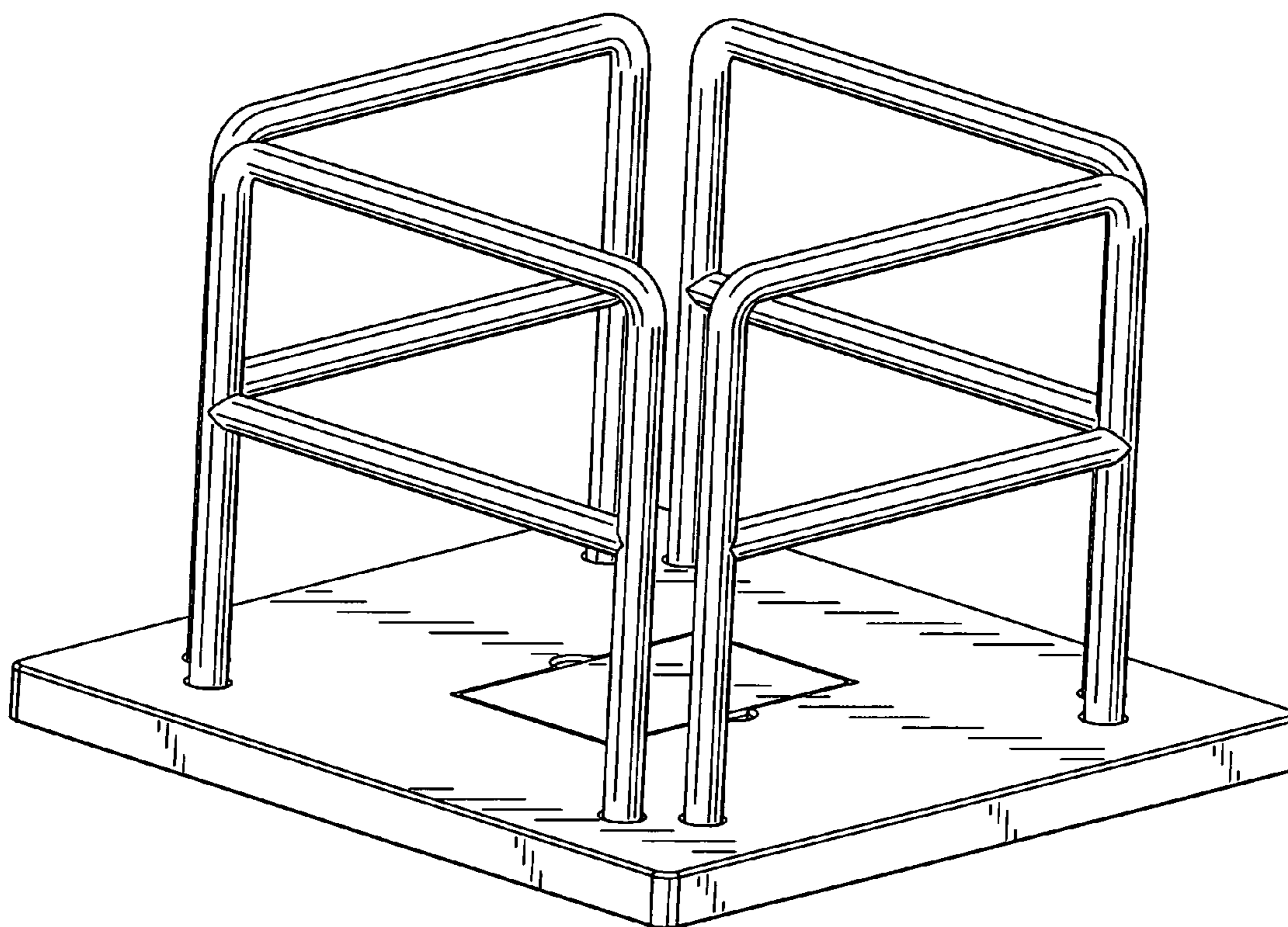


FIG. 1

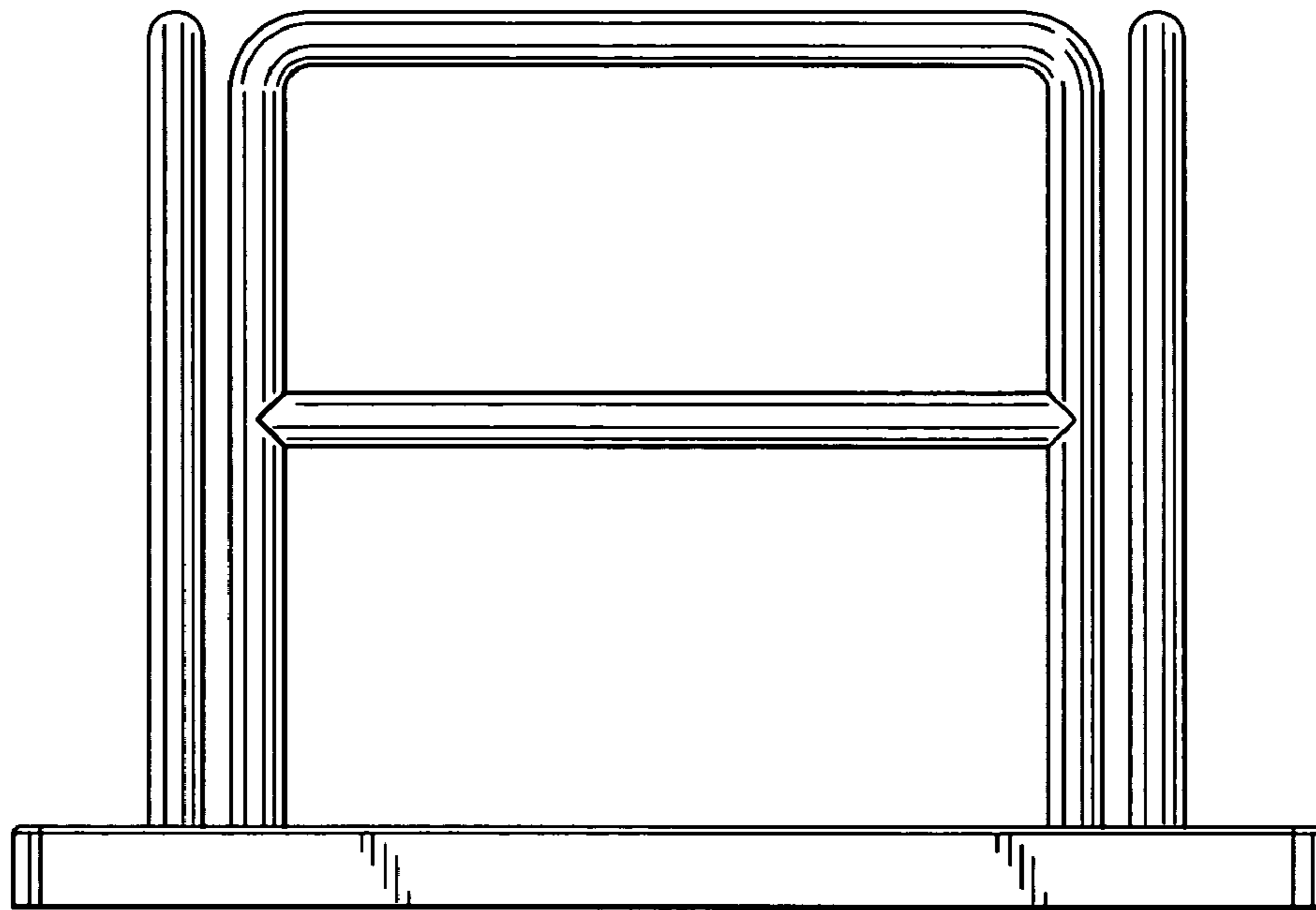


FIG. 2

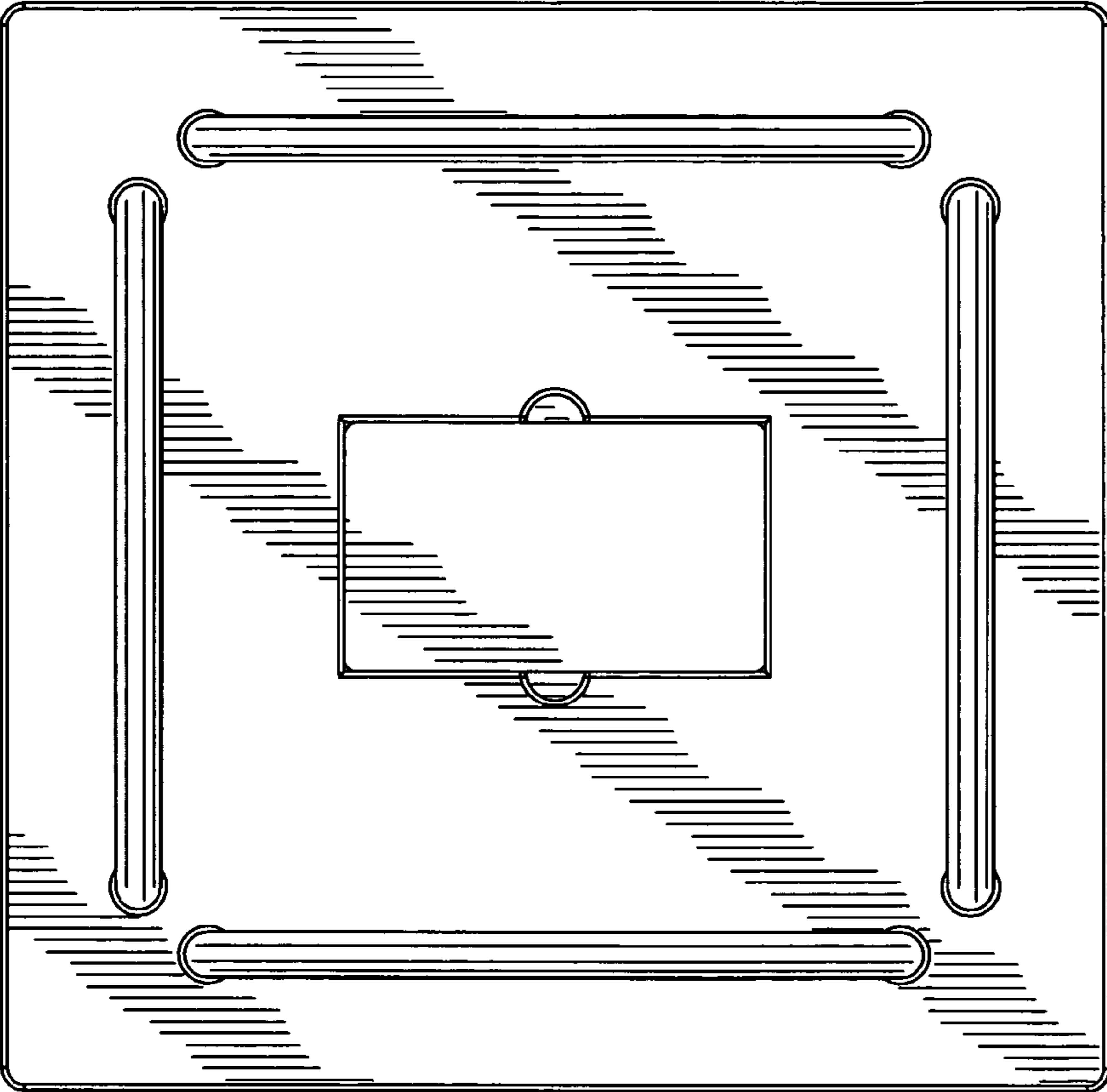


FIG. 3

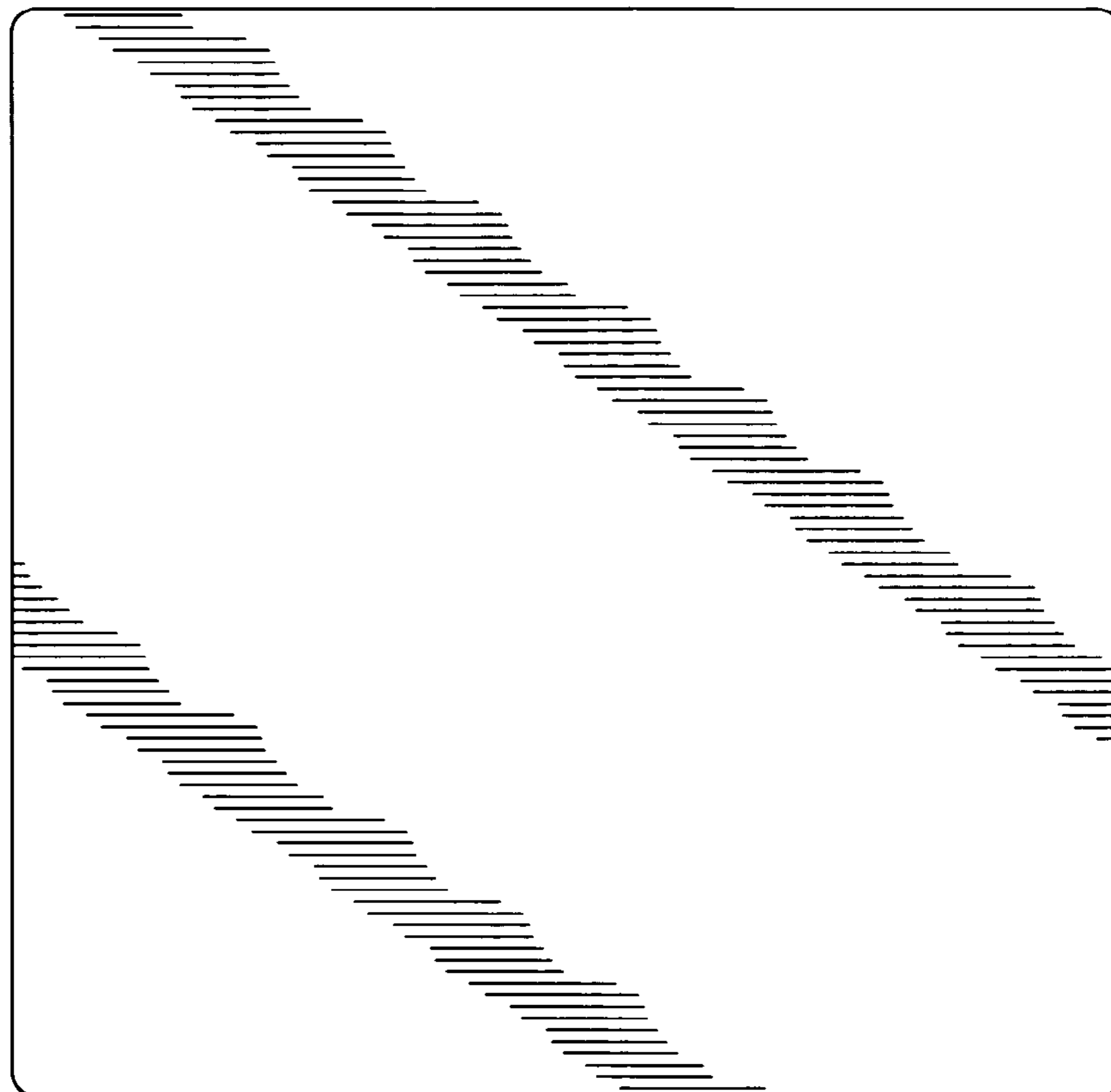


FIG. 4

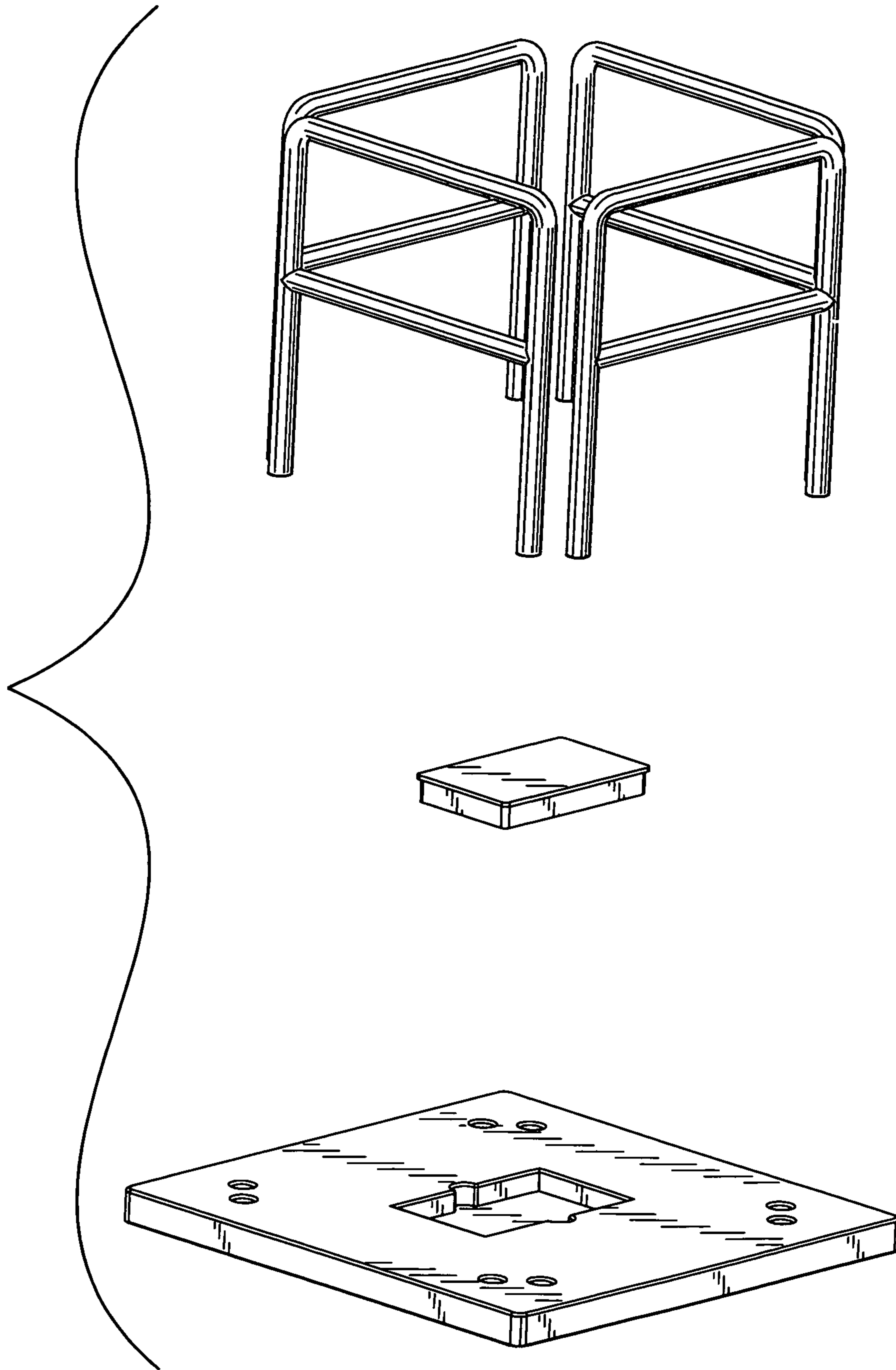


FIG. 5