

US00D635622S

(12) **United States Design Patent**
Martin et al.

(10) **Patent No.:** **US D635,622 S**

(45) **Date of Patent:** **** Apr. 5, 2011**

(54) **LIGHT WEIGHT PLASTIC PLAY WEIGHT FOR KIDS**

(76) Inventors: **Jessica Lindsey Martin**, Littleton, CO (US); **Lisa Anne Jurgonski**, Englewood, CO (US)

(**) Term: **14 Years**

(21) Appl. No.: **29/335,969**

(22) Filed: **Apr. 26, 2009**

(51) **LOC (9) Cl.** **21-02**

(52) **U.S. Cl.** **D21/681**

(58) **Field of Classification Search** D21/681,
D21/682, 803, 680, 678, 406, 662, 677; D9/668,
D9/542; D30/60, 160; 428/148, 108, 107;
D6/580

See application file for complete search history.

(56) **References Cited**

U.S. PATENT DOCUMENTS

4,103,887	A *	8/1978	Shoofler	482/106
4,183,167	A *	1/1980	Jatich	446/118
D269,950	S	8/1983	Walker		
D271,408	S	11/1983	Bauer		
D279,495	S	7/1985	Barbeau		
4,555,114	A *	11/1985	Dozier	473/588
D297,962	S	10/1988	Wu		
D306,332	S *	2/1990	Mayfield	D21/681
D315,003	S *	2/1991	Huang	D21/682
5,042,657	A *	8/1991	Dunn	206/326
5,102,124	A *	4/1992	Diodati	482/107
D326,298	S	5/1992	King et al.		
5,139,453	A *	8/1992	Aiken et al.	446/75
D339,620	S	9/1993	Hand		
5,266,069	A *	11/1993	Thorne	482/111
5,344,375	A *	9/1994	Cooper	482/106
D380,511	S	7/1997	Anthony, Jr.		
D384,713	S	10/1997	Eckmann		
5,712,030	A *	1/1998	Goto et al.	428/332

D409,266	S	5/1999	Rojas		
D418,881	S	1/2000	Cousins		
D438,858	S *	3/2001	del Castillo	D14/188
D456,705	S	5/2002	Vijn		
D474,522	S	5/2003	Monroe		
D489,102	S	4/2004	Chen		
D496,414	S	9/2004	Harms		
D504,551	S *	5/2005	Stoddart et al.	D1/102
D504,923	S	5/2005	Harms		
D545,927	S	7/2007	Lien		
D546,908	S	7/2007	Lien		
D562,385	S *	2/2008	Camillo	D19/41
D570,410	S *	6/2008	Moro	D19/41
D578,172	S	10/2008	Schiff		
D580,271	S	11/2008	Tsai		
D584,161	S	1/2009	Barker		
7,553,259	B2 *	6/2009	Landfair	482/49
7,553,265	B2 *	6/2009	Crawford et al.	482/108
7,614,982	B2 *	11/2009	Crawford et al.	482/107
D618,415	S *	6/2010	Greseth et al.	D34/1

* cited by examiner

Primary Examiner — Cynthia Underwood

(74) *Attorney, Agent, or Firm* — QuickPatents, Inc.; Kevin Prince

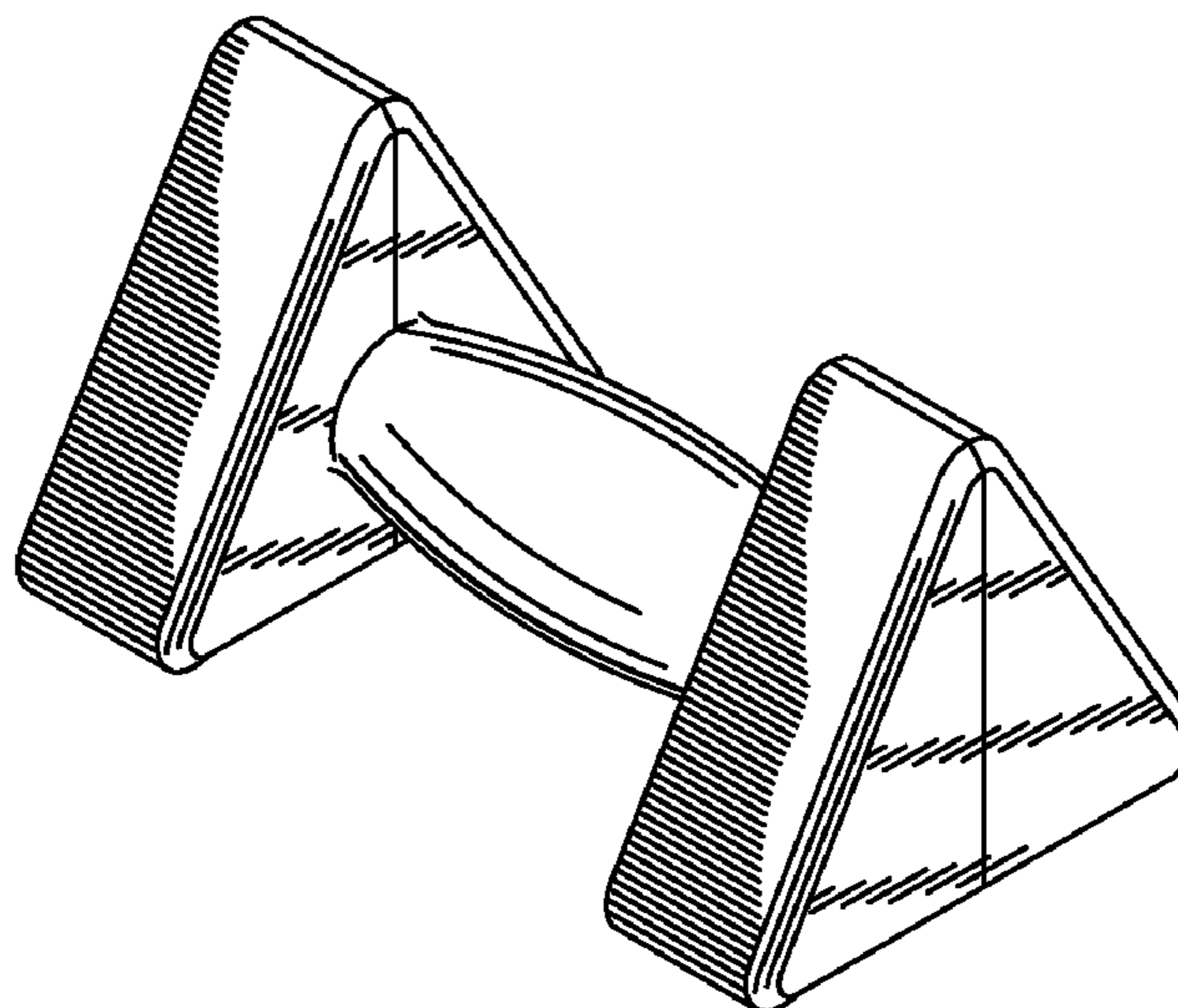
(57) **CLAIM**

We claim the ornamental design for a light weight plastic play weight for kids, as shown and described.

DESCRIPTION

FIG. 1 is a perspective view of a light weight plastic play weight for kids, showing our new design;
FIG. 2 is a top plan view thereof;
FIG. 3 is a left-side elevational view thereof, the right-side elevational view being a mirror image thereof;
FIG. 4 is a front elevational view thereof, the rear elevational view being a mirror image thereof; and,
FIG. 5 is a bottom plan view thereof.

1 Claim, 1 Drawing Sheet



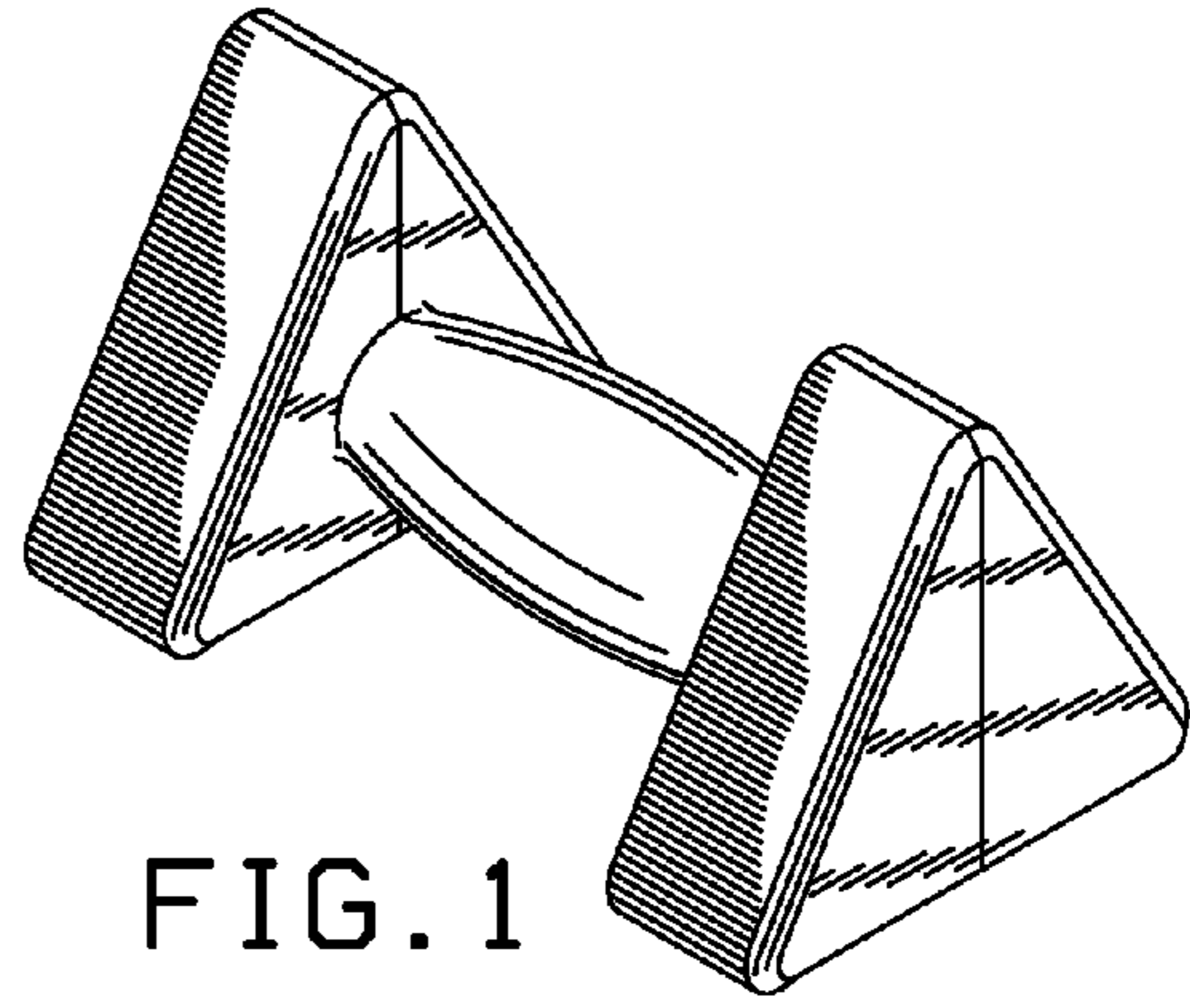


FIG. 1

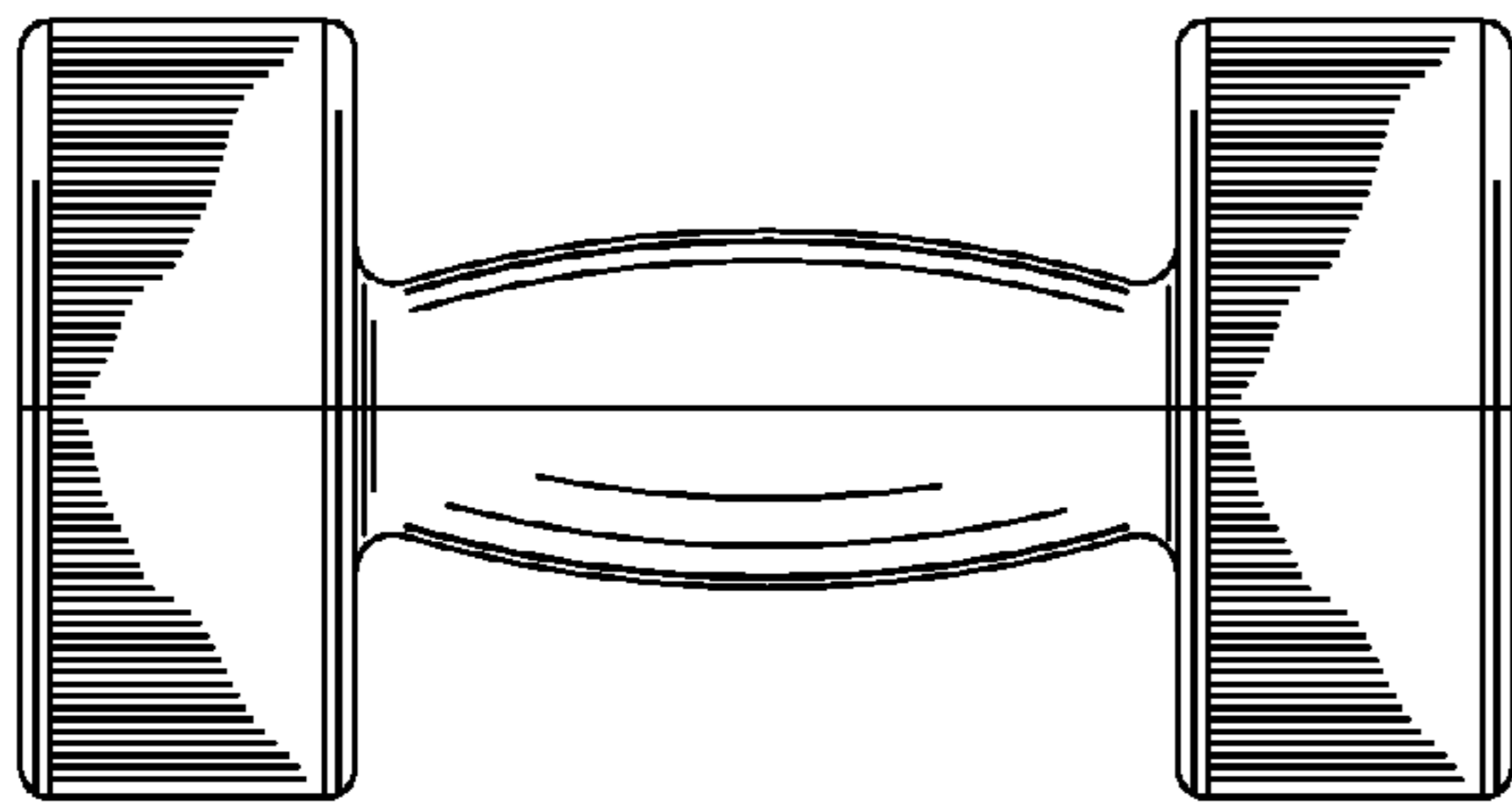


FIG. 2

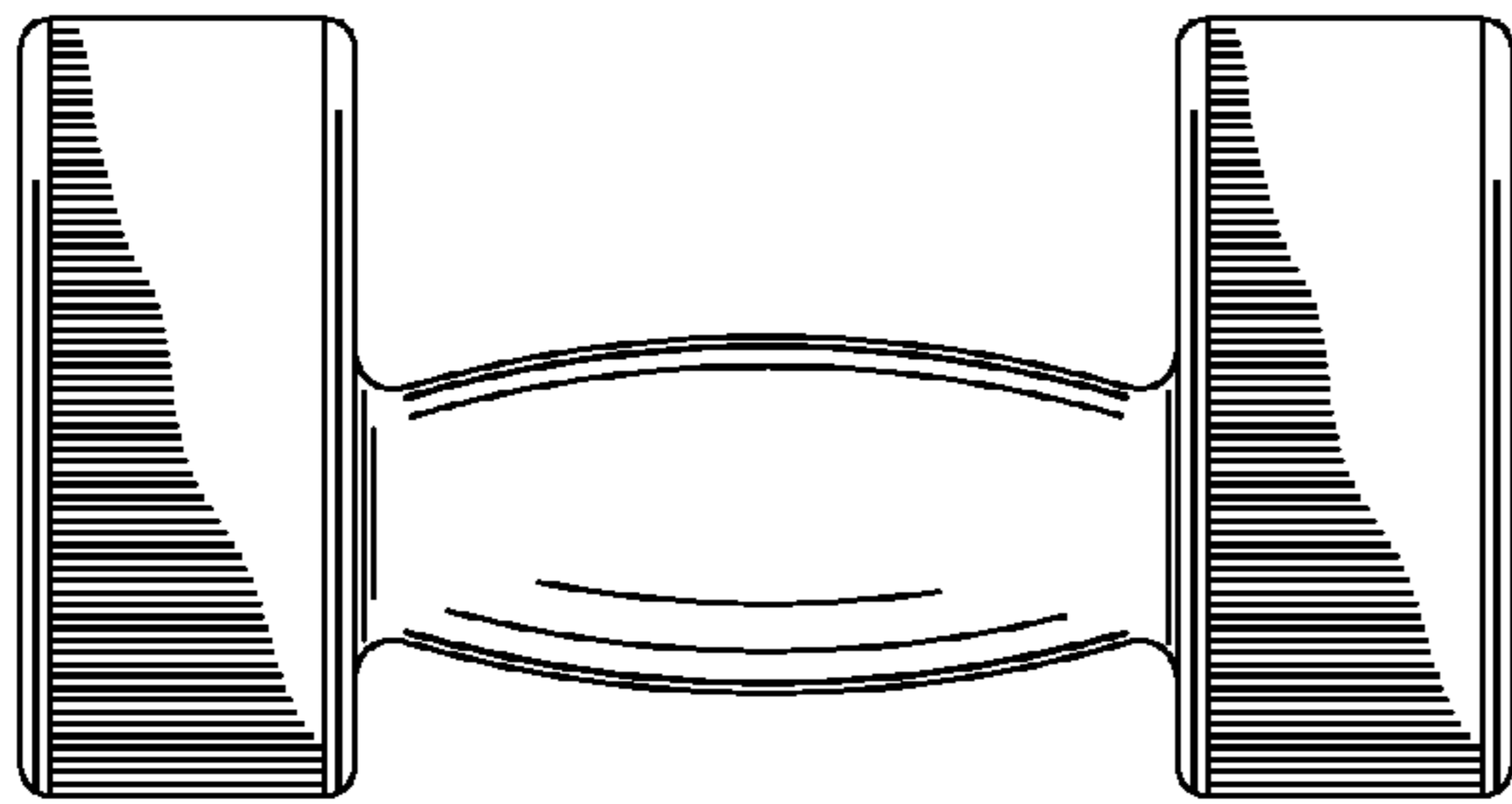


FIG. 4

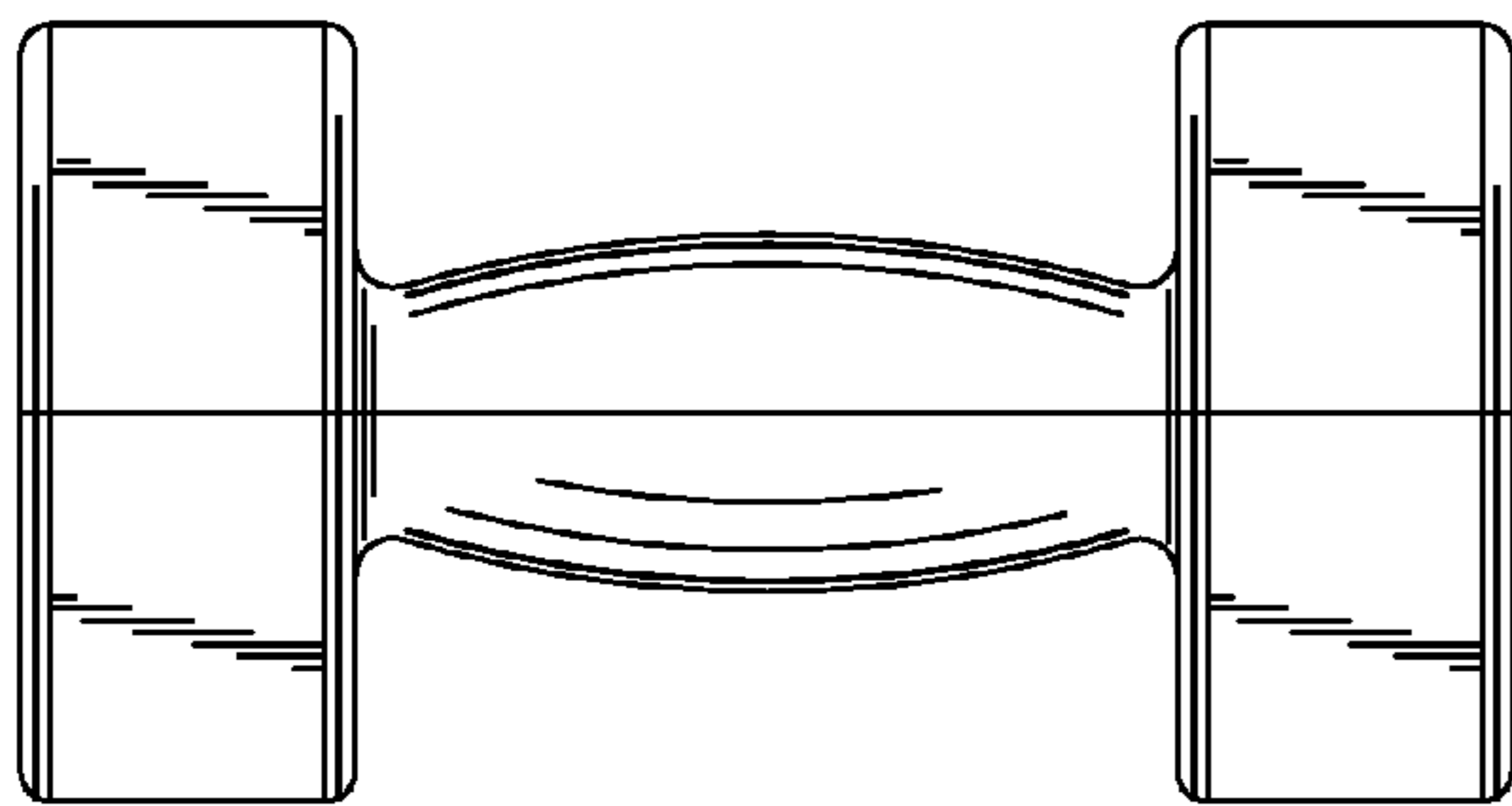


FIG. 5

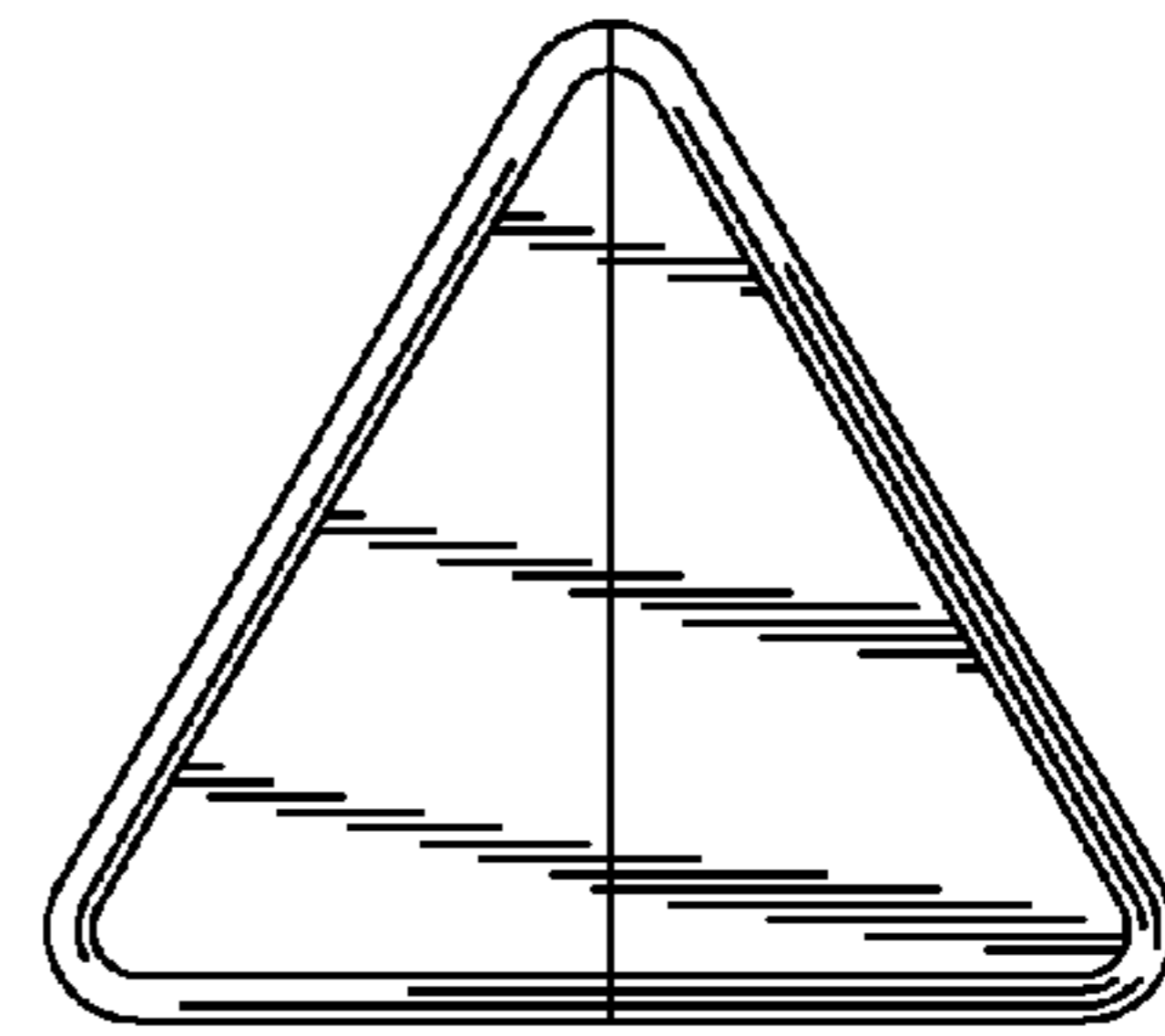


FIG. 3