



US00D635619S

(12) **United States Design Patent**
Nadel

(10) **Patent No.:** **US D635,619 S**
(45) **Date of Patent:** **** Apr. 5, 2011**

(54) **TOY GUN**

(75) Inventor: **Craig Nadel**, Montville, NJ (US)

(73) Assignee: **Buzz Bee Toys (H.K.) Co. Ltd.**,
Kowloon (HK)

(**) Term: **14 Years**

(21) Appl. No.: **29/346,973**

(22) Filed: **Nov. 9, 2009**

(30) **Foreign Application Priority Data**

Jun. 9, 2009 (HK) 0900934.9M003

(51) **LOC (9) Cl.** **21-01**

(52) **U.S. Cl.** **D21/573**

(58) **Field of Classification Search** D21/333,
D21/401, 461, 567, 568, 570-575; D22/100,
D22/101, 104, 105, 108-110; D14/418;
446/23, 182, 192, 401, 403, 405-407, 473,
446/475; 124/16, 26, 27, 28, 29, 54, 73-77;
222/78, 79; 42/54, 57, 58

See application file for complete search history.

(56) **References Cited**

U.S. PATENT DOCUMENTS

3,919,799 A * 11/1975 Austin et al. D21/573
D258,166 S * 2/1981 Barthropp D21/572
D285,327 S * 8/1986 Yano D21/573

D290,153 S * 6/1987 Reaume D22/100
D343,873 S * 2/1994 Aigner D21/573
5,283,970 A * 2/1994 Aigner 42/57
D354,997 S * 1/1995 Arad et al. D21/574
D354,999 S * 1/1995 Arad D21/573
D374,463 S * 10/1996 Butler et al. D14/418
5,564,964 A * 10/1996 Chin-Chien 446/406
D410,048 S * 5/1999 Luk D21/572
D449,659 S * 10/2001 Hornsby et al. D21/574
6,428,384 B1 * 8/2002 Su 446/473
D523,096 S * 6/2006 Pflaumer et al. D21/573
7,677,232 B2 * 3/2010 Rosenblum et al. 124/16
2008/0022988 A1 * 1/2008 Rosenblum et al. 124/27
2009/0197506 A1 * 8/2009 Ma 446/473

* cited by examiner

Primary Examiner — Cynthia M Chin

(74) *Attorney, Agent, or Firm* — Intellectual Property Law
Group LLP; Juneko Jackson; Otto O. Lee

(57) **CLAIM**

The ornamental design for a toy gun, as shown and described.

DESCRIPTION

FIG. 1 is a perspective view of a toy gun embodying my new design;

FIG. 2 is a front elevational view thereof;

FIG. 3 is a rear elevational view thereof;

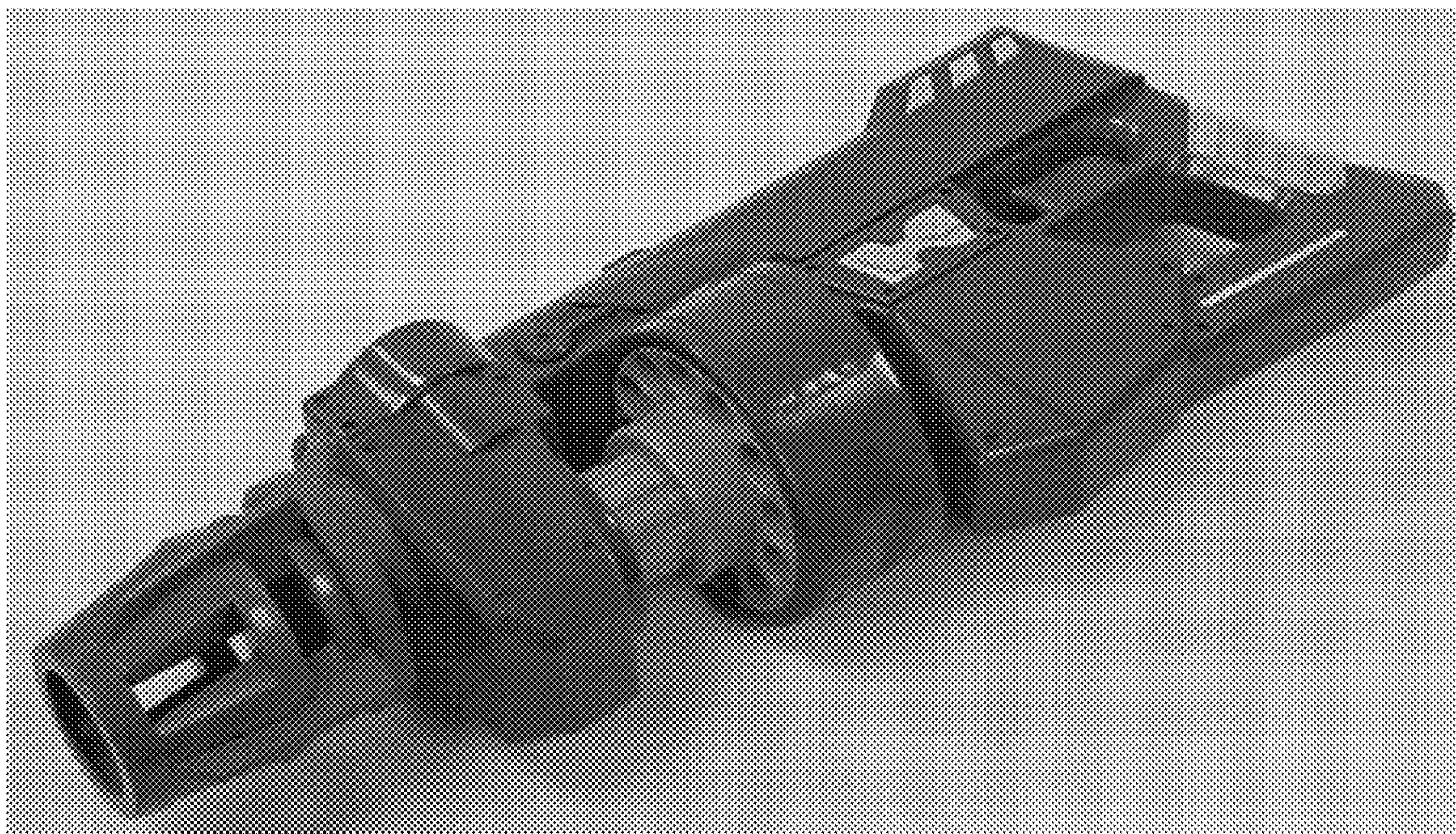
FIG. 4 is a right side elevational view thereof;

FIG. 5 is a left side elevational view thereof;

FIG. 6 is a top plan view thereof; and,

FIG. 7 is a bottom plan view thereof.

1 Claim, 5 Drawing Sheets



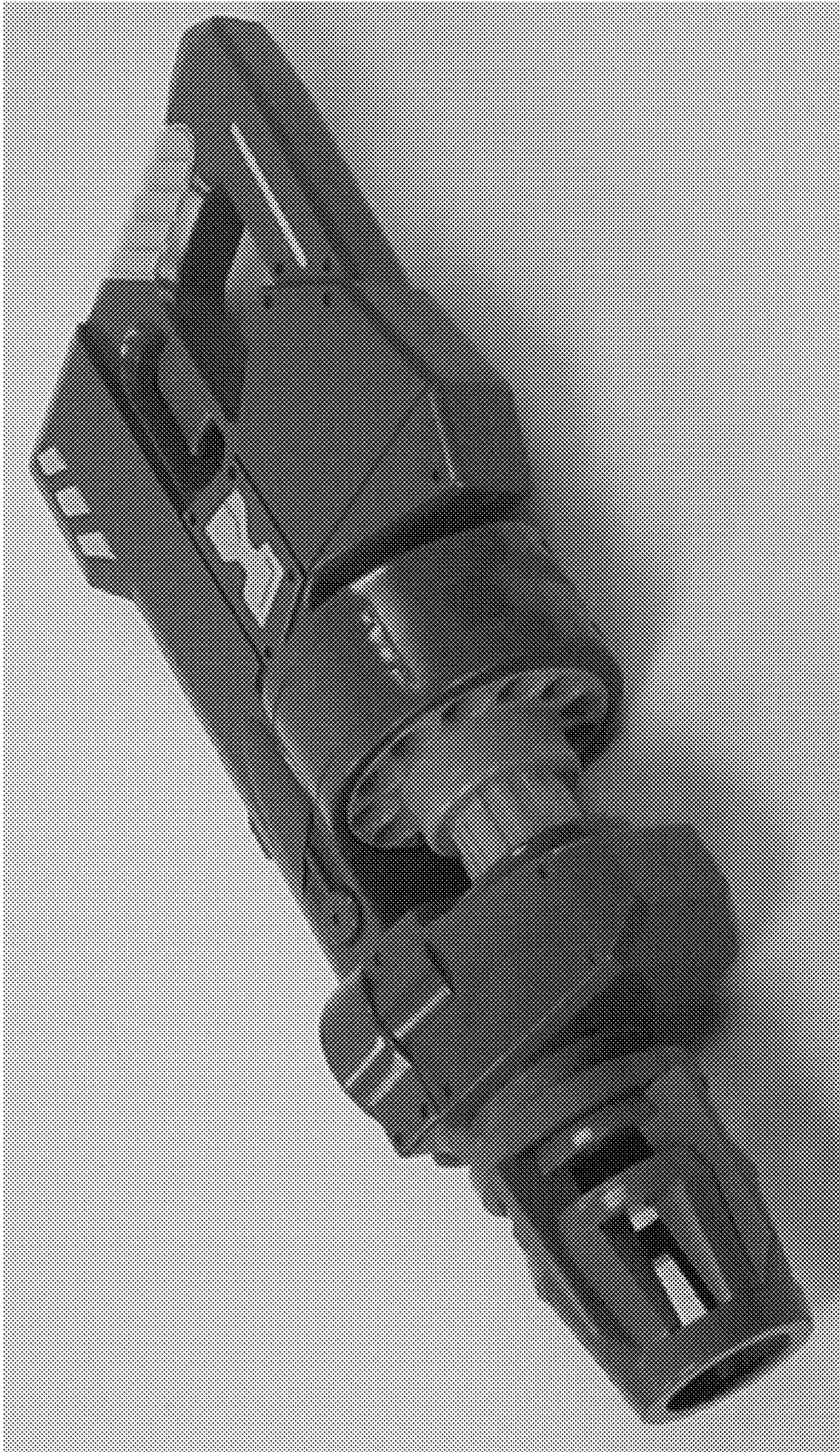


FIG. 1

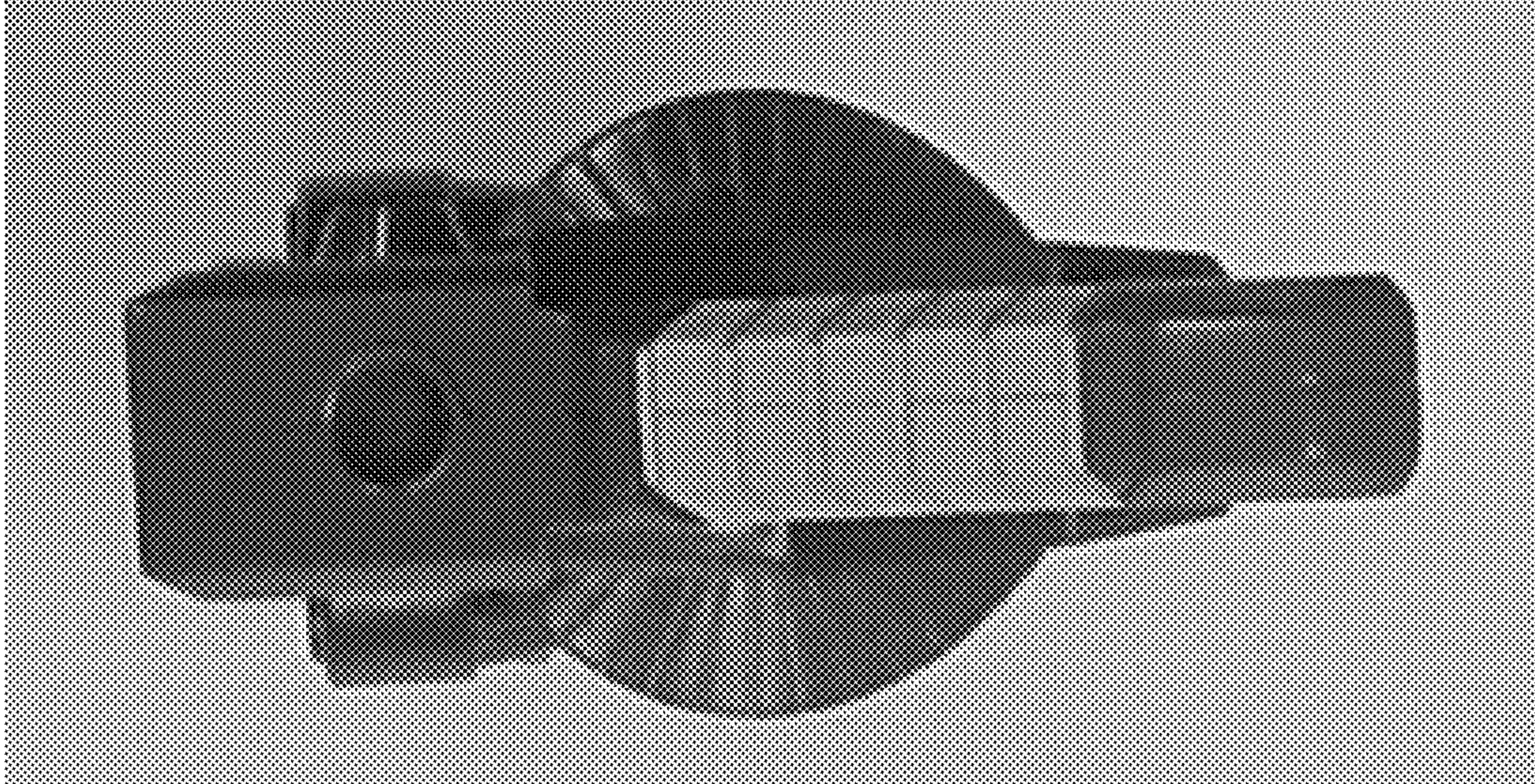


FIG. 3

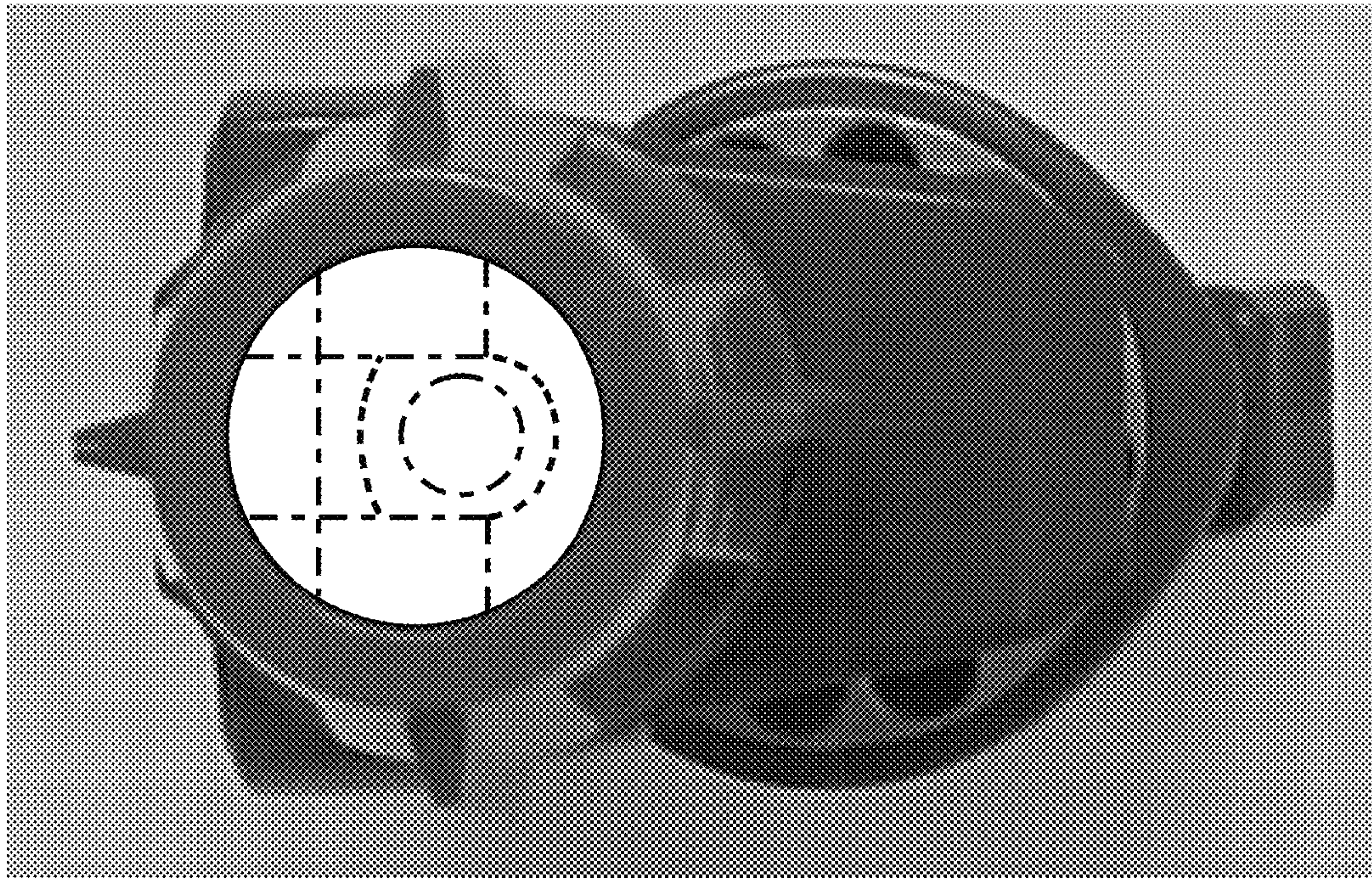


FIG. 2

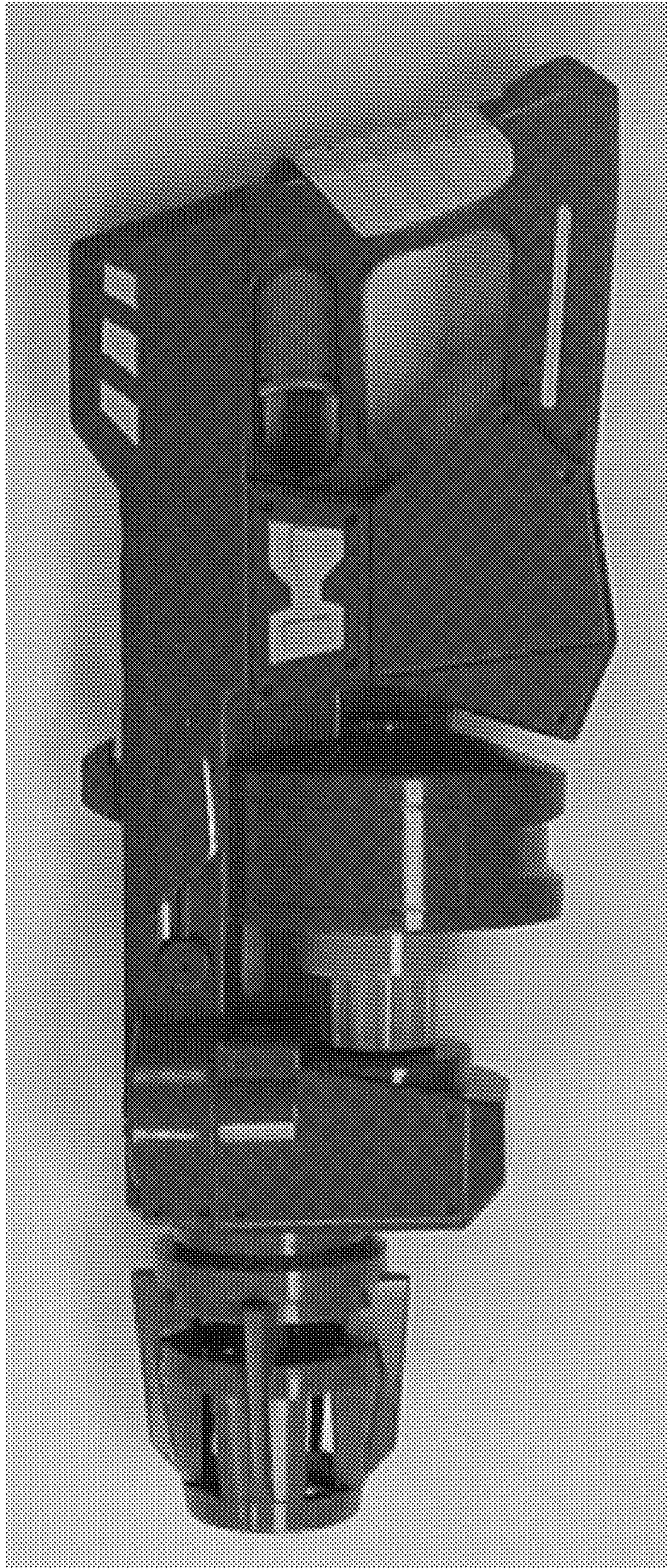


FIG. 4

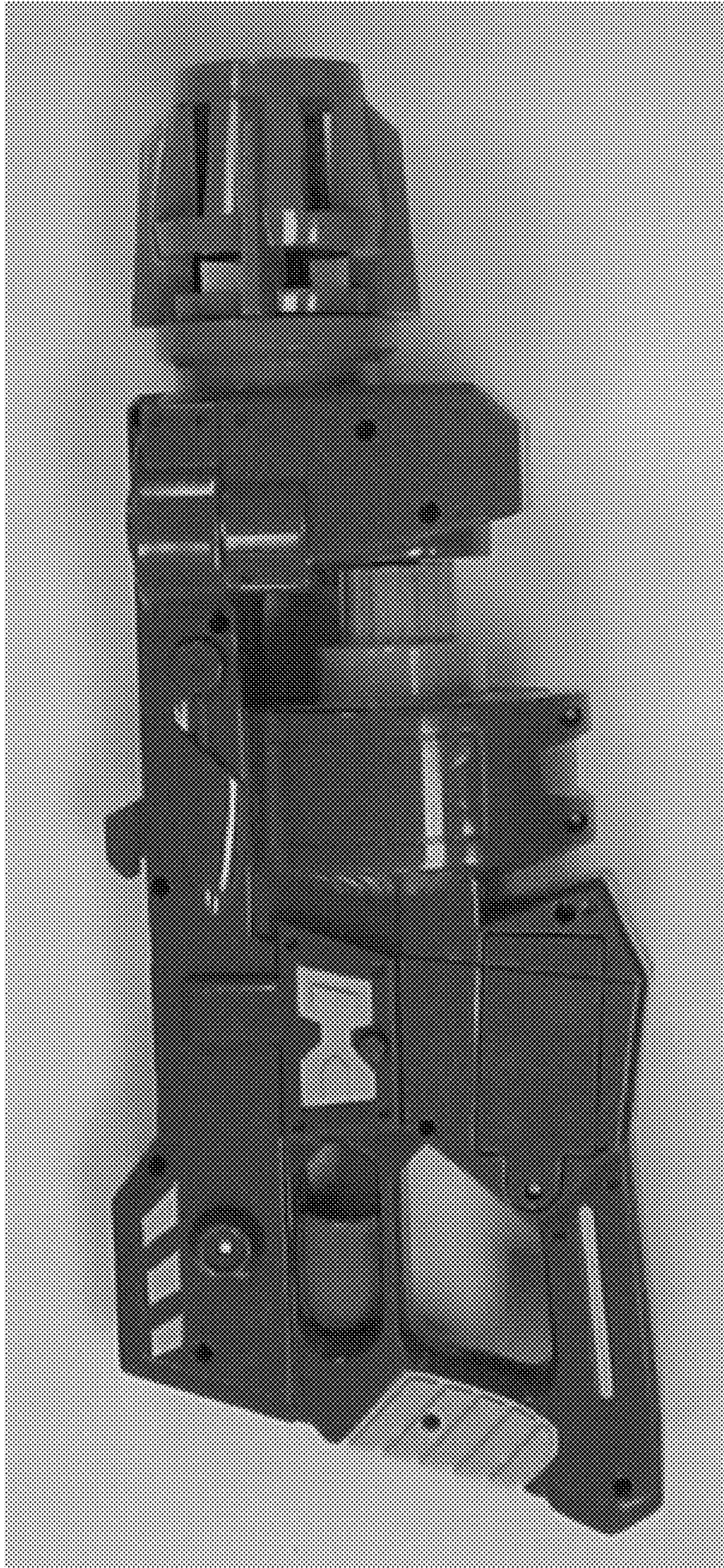


FIG. 5

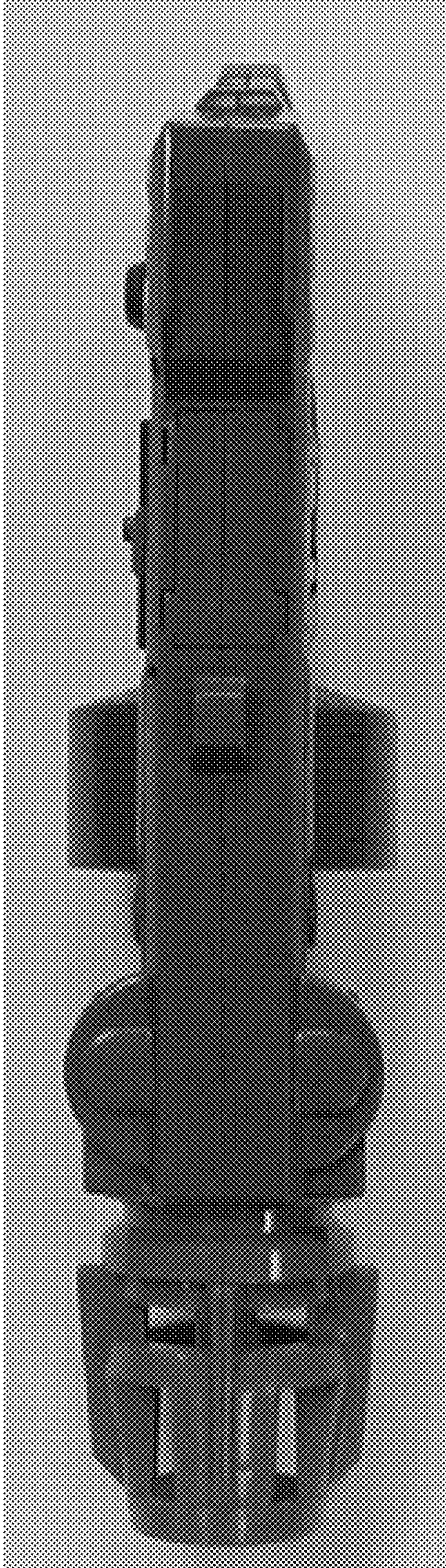


FIG. 6

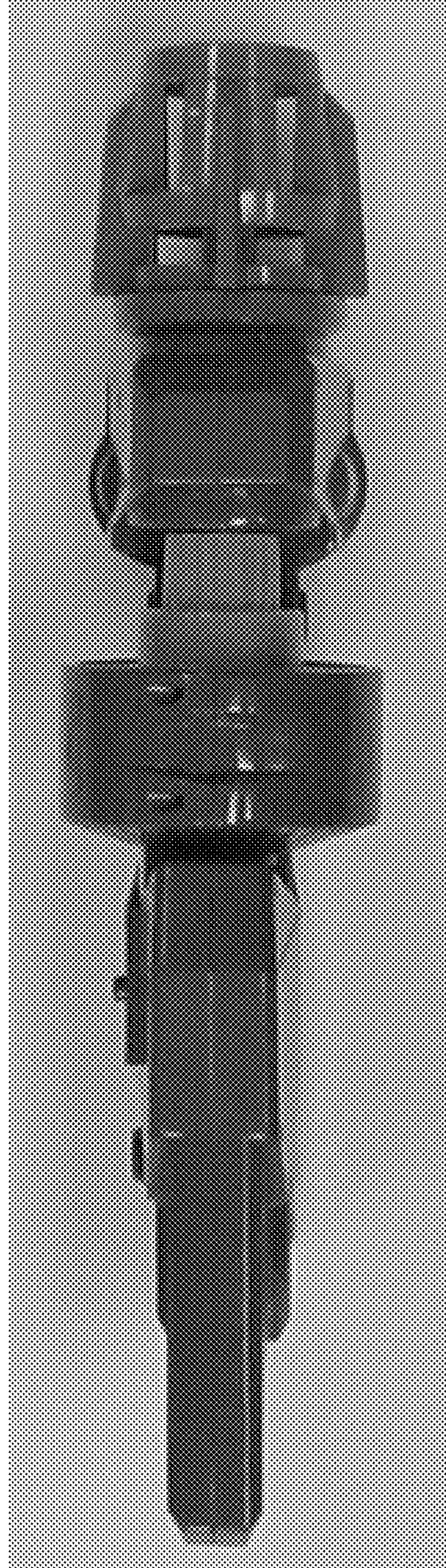


FIG. 7