



US00D635617S

(12) **United States Design Patent**  
**Flores Saucedo**

(10) **Patent No.:** **US D635,617 S**

(45) **Date of Patent:** **\*\* Apr. 5, 2011**

(54) **SHOE-LIKE TOY**

(76) **Inventor:** **Gerardo Flores Saucedo**, Mexico DF  
(MX)

(\*\*) **Term:** **14 Years**

(21) **Appl. No.:** **29/327,643**

(22) **Filed:** **Nov. 10, 2008**

(51) **LOC (9) Cl.** ..... **21-01**

(52) **U.S. Cl.** ..... **D21/421**

(58) **Field of Classification Search** ..... D21/483,  
D21/419, 421, 422; D2/897, 898, 899, 900,  
D2/904, 905, 906, 916; 36/7.1 R, 7.5, 7.6,  
36/11.5, 62, 122

See application file for complete search history.

(56) **References Cited**

**U.S. PATENT DOCUMENTS**

2,932,910	A *	4/1960	Brown	.....	36/122
3,032,897	A *	5/1962	Gelineau	.....	36/7.5
D216,140	S *	11/1969	Luther, Jr.	.....	D21/422
D231,379	S *	4/1974	Fields	.....	D21/422
3,829,990	A *	8/1974	Sakamoto	.....	D21/422
D251,080	S *	2/1979	Koblick	.....	D2/916
D285,715	S *	9/1986	Brantingham	.....	D21/422
D381,493	S *	7/1997	Comeau	.....	D2/906
D400,694	S *	11/1998	Kang	.....	D2/916
D423,605	S *	4/2000	Graves	.....	D21/483
D437,476	S *	2/2001	Cavallin et al.	.....	D2/916

D441,037	S *	4/2001	Graves	.....	D21/483
6,751,892	B2 *	6/2004	Chavet et al.	.....	36/7.5
7,500,324	B1 *	3/2009	Power et al.	.....	36/7.5

\* cited by examiner

*Primary Examiner* — Cynthia M Chin

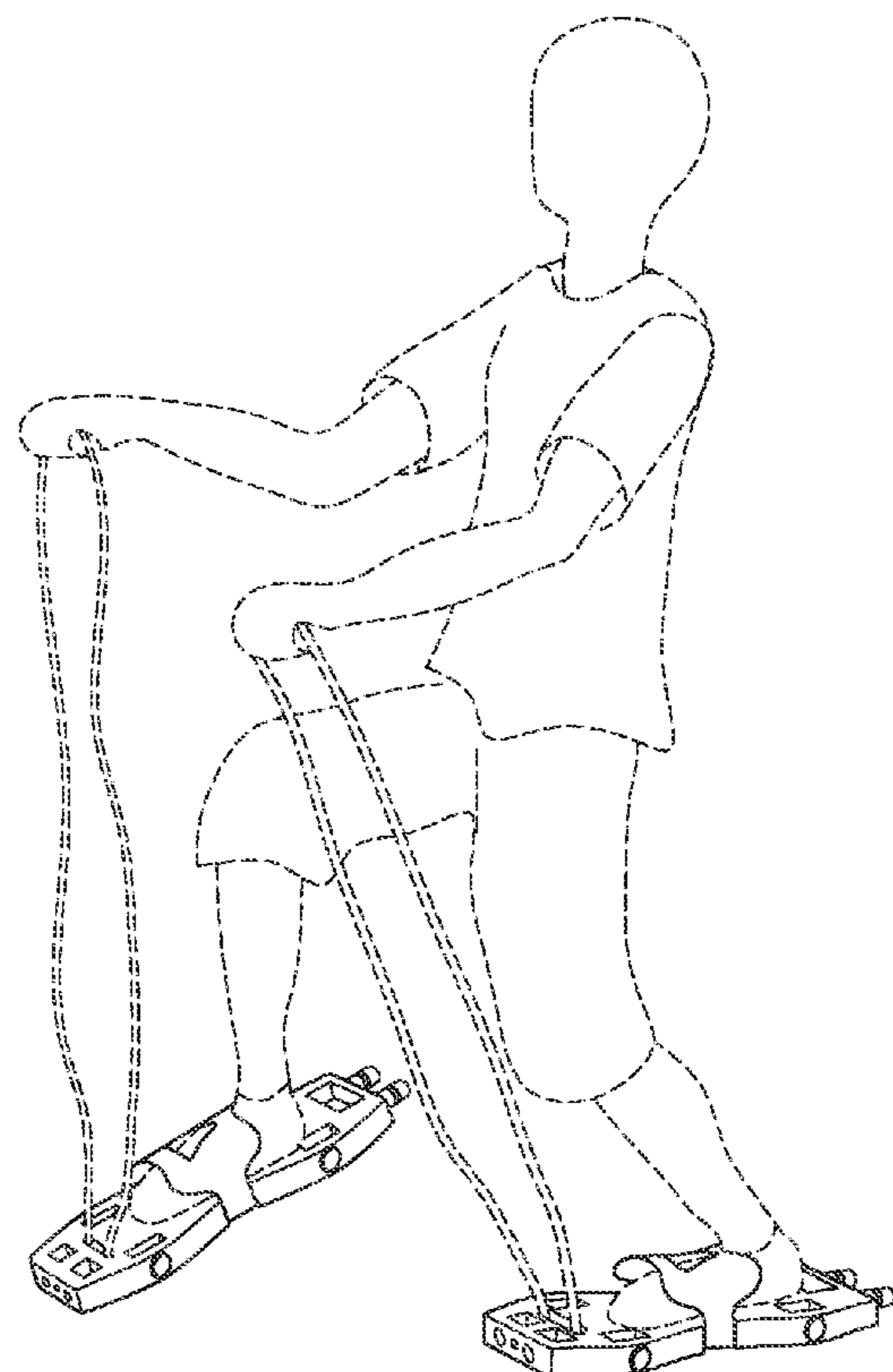
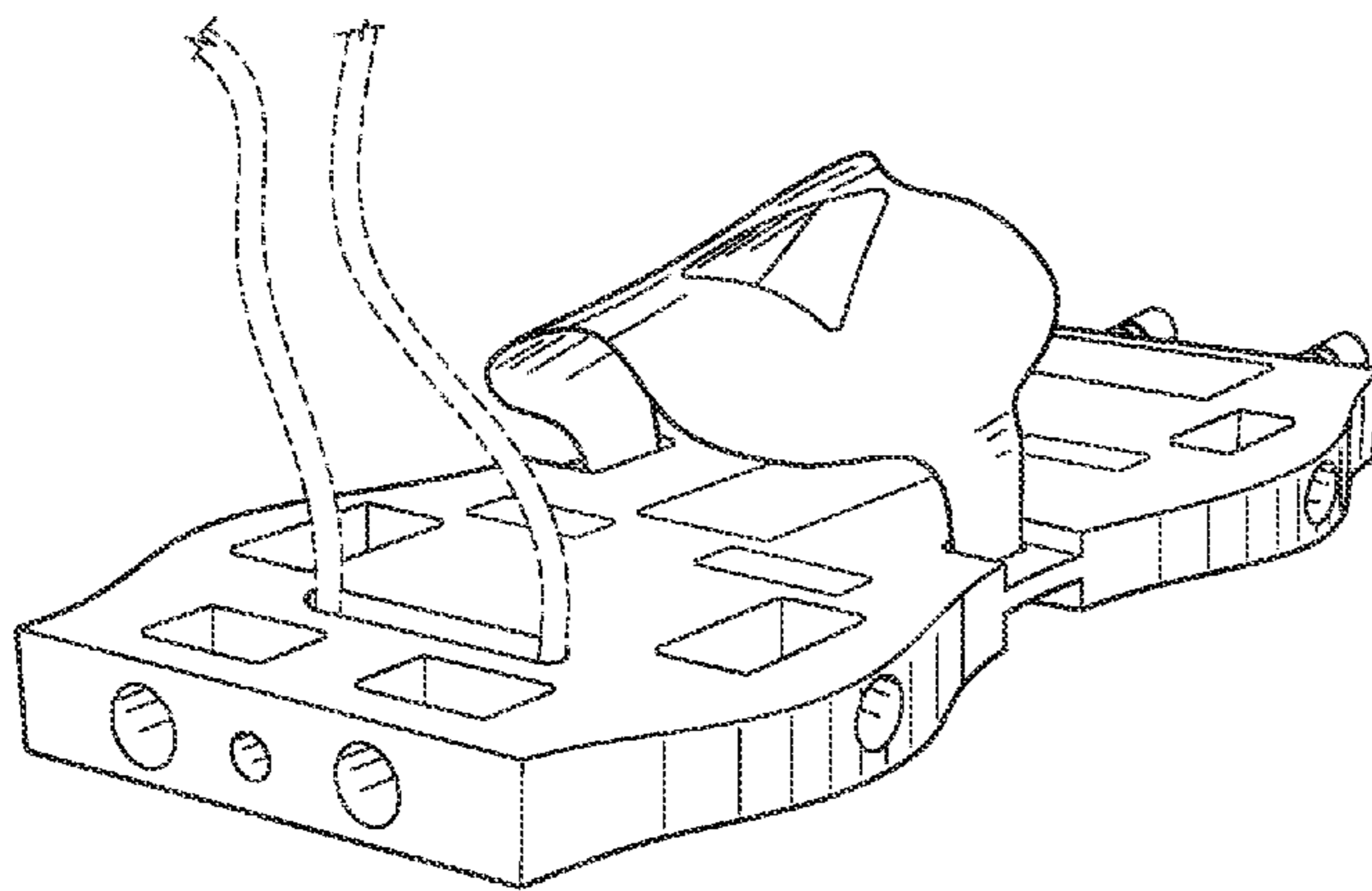
(57) **CLAIM**

I claim the ornamental design for a shoe-like toy, as shown and described.

**DESCRIPTION**

FIG. 1 is an enlarged front perspective view of the shoe-like toy showing my design;  
 FIG. 2 is another front perspective view showing my design in use by a kid illustrated in dotted lines;  
 FIG. 3 is a bottom perspective view with the vamp removed for the clarity of illustration;  
 FIG. 4 is a top plan view thereof;  
 FIG. 5 is a bottom plan view thereof;  
 FIG. 6 is a side elevational view thereof;  
 FIG. 7 is a front elevational view thereof;  
 FIG. 8 is a perspective view of the vamp or upper shown separately from the base of my design for the clarity of illustration;  
 FIG. 9 is a top plan view thereof;  
 FIG. 10 is an end elevational view thereof; and,  
 FIG. 11 is a side elevational view thereof.  
 The broken/dotted lines represent portions of the article that form no part of the claim.

**1 Claim, 3 Drawing Sheets**



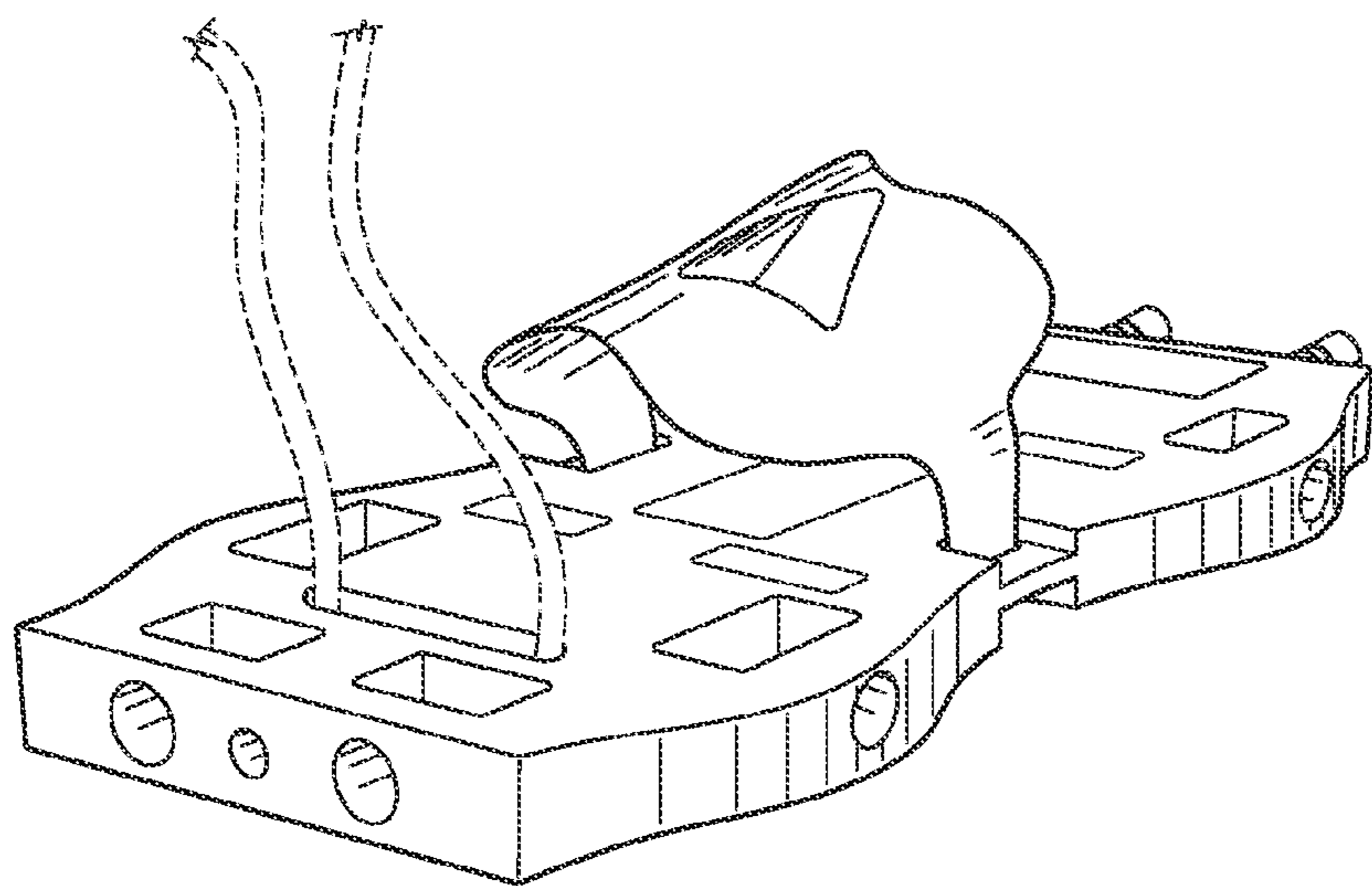


Fig.1

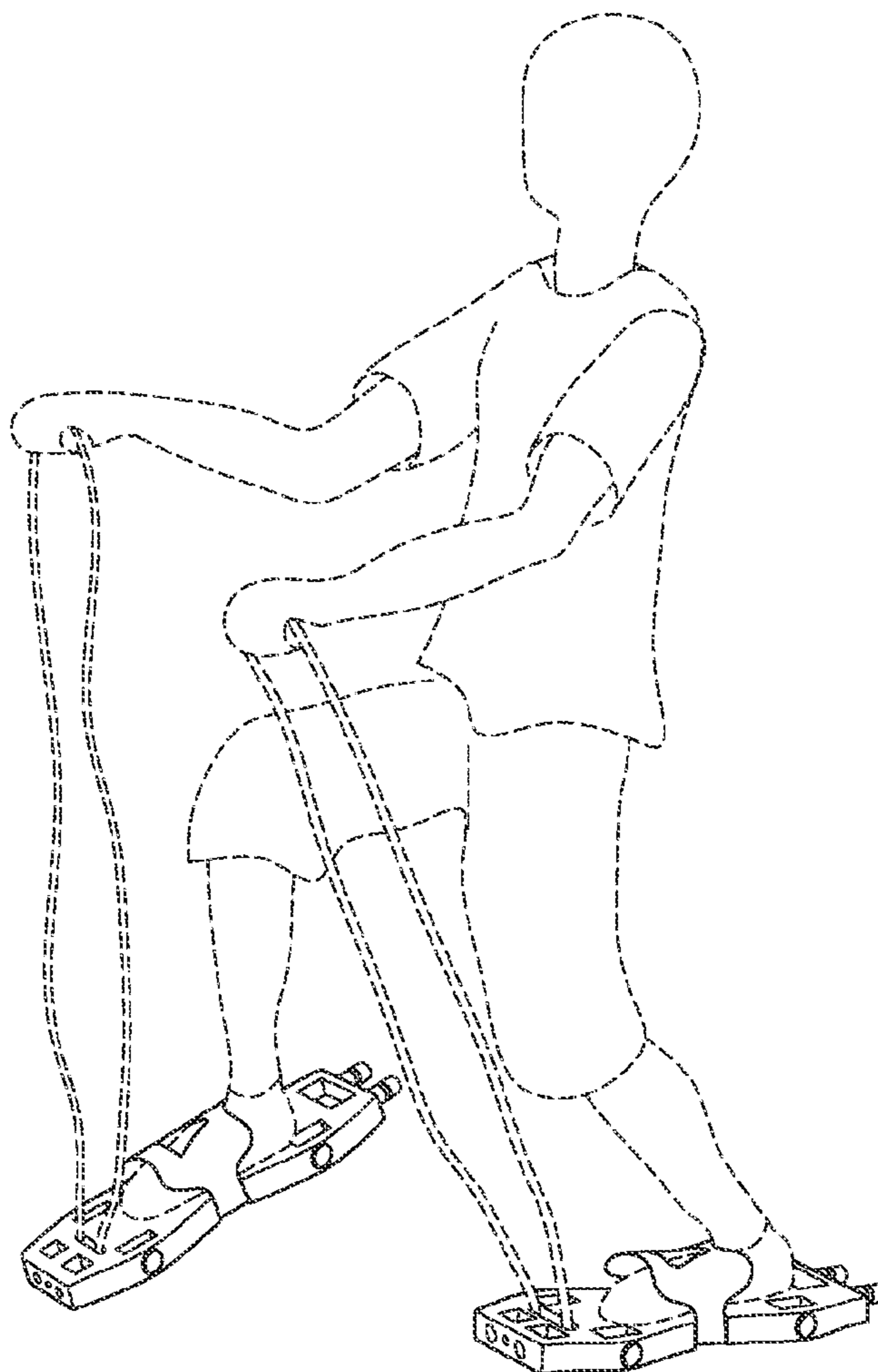


Fig.2

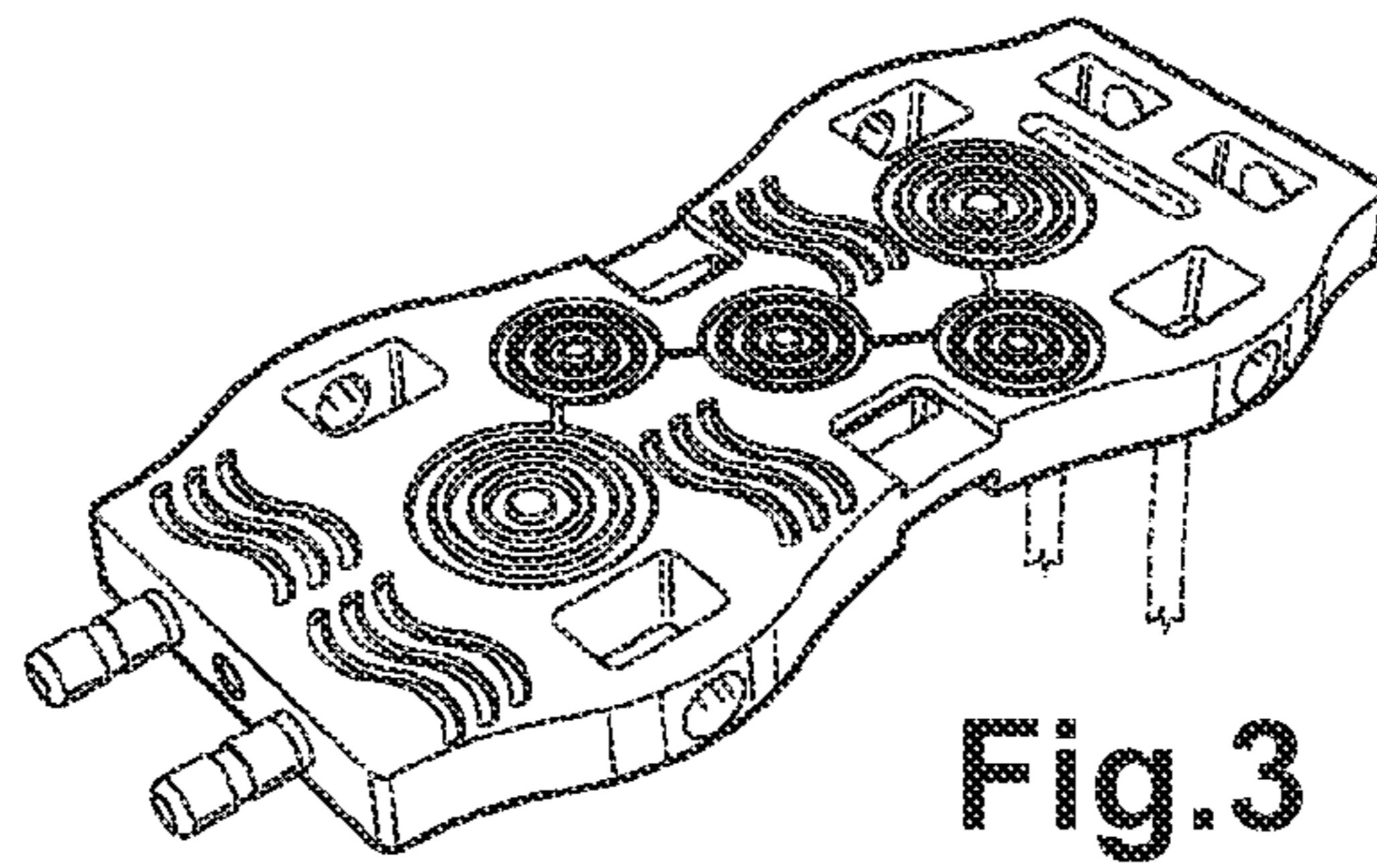


Fig.3

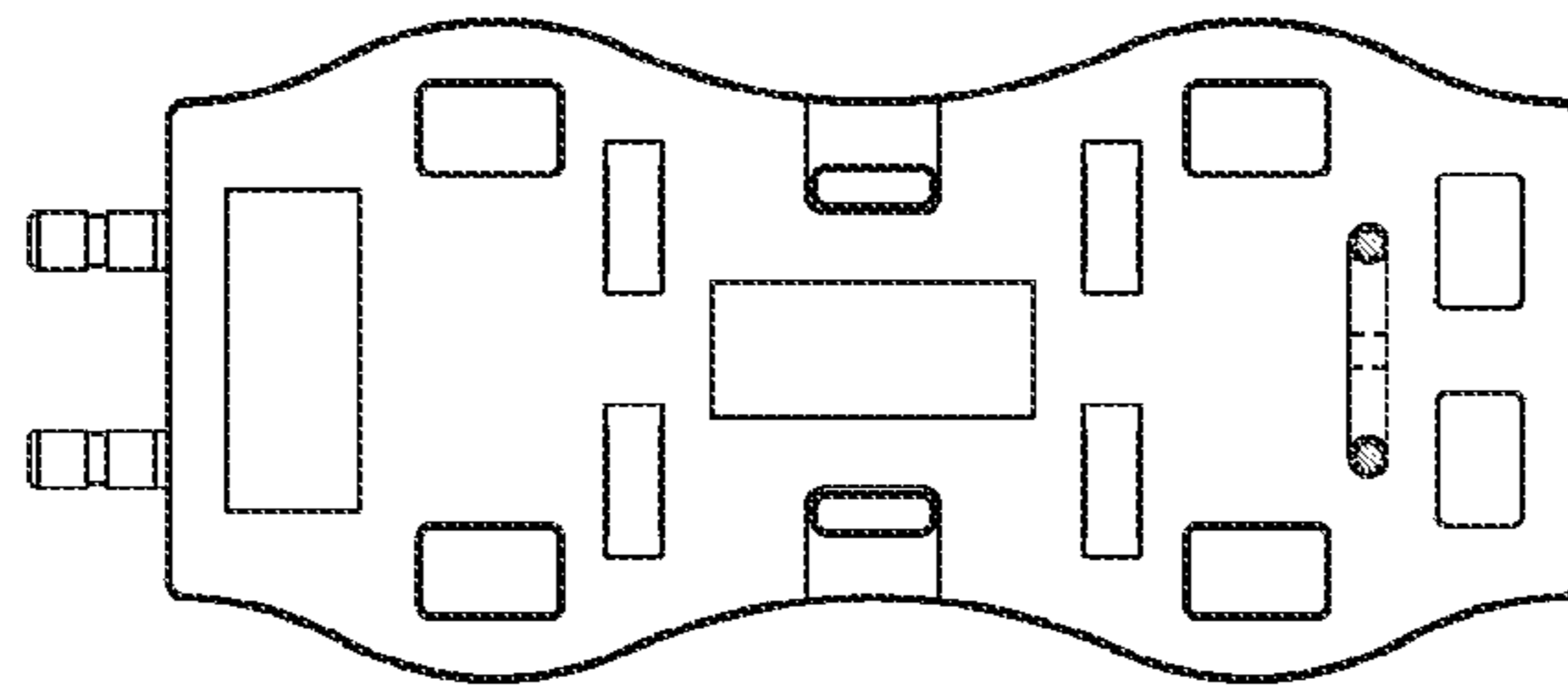


Fig.4

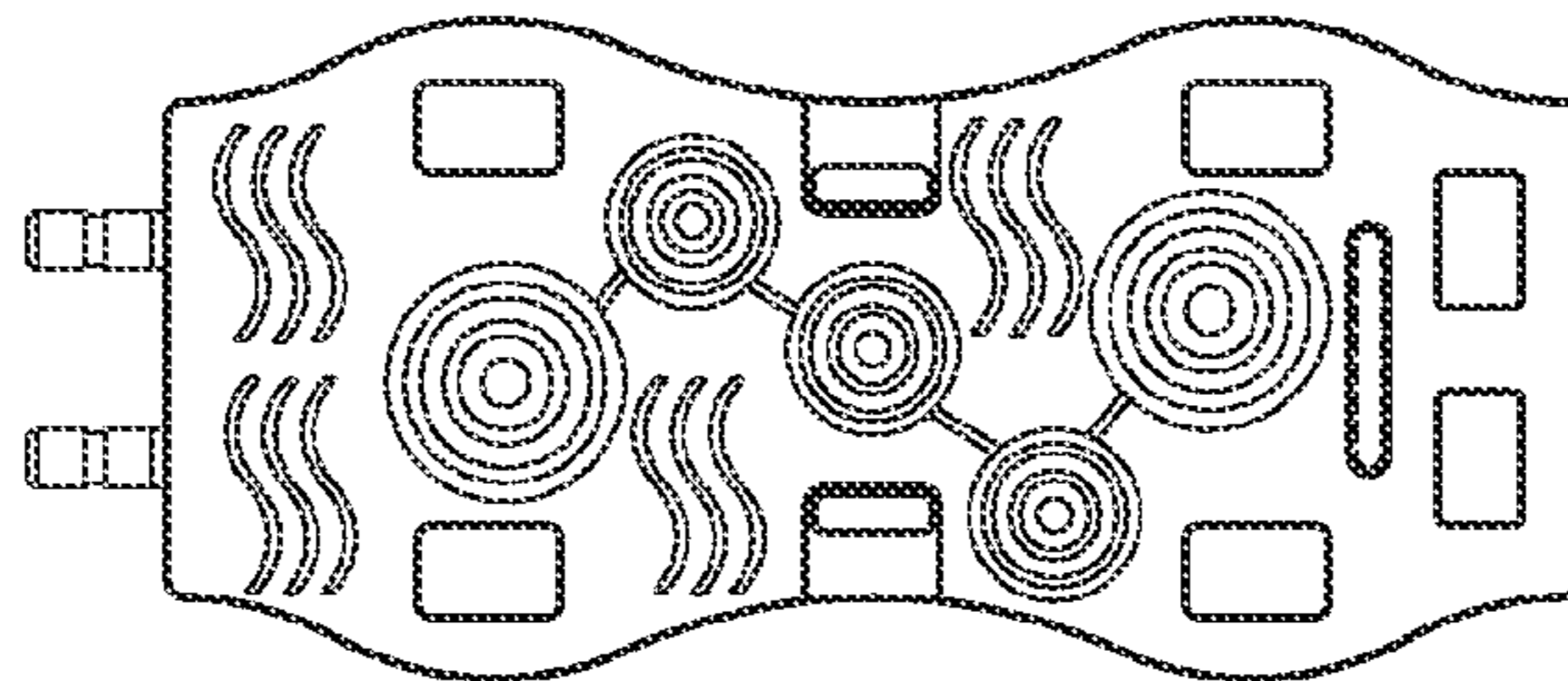


Fig.5

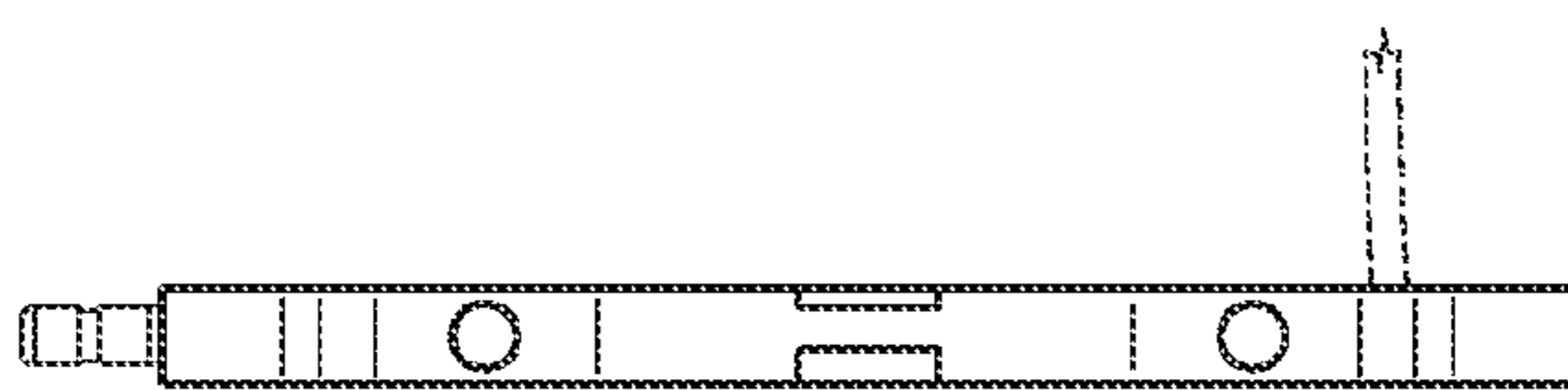


Fig.6

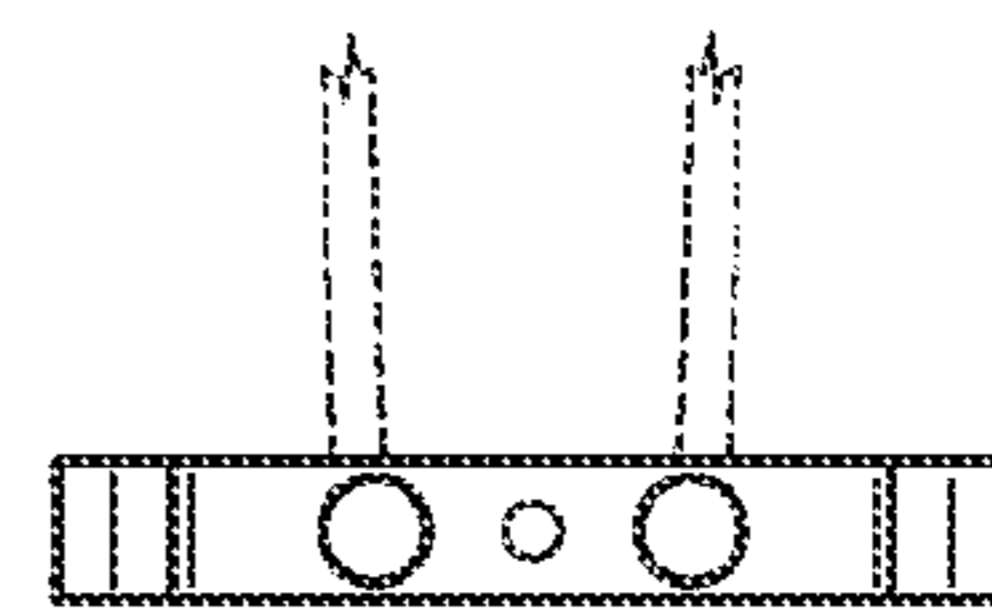


Fig.7

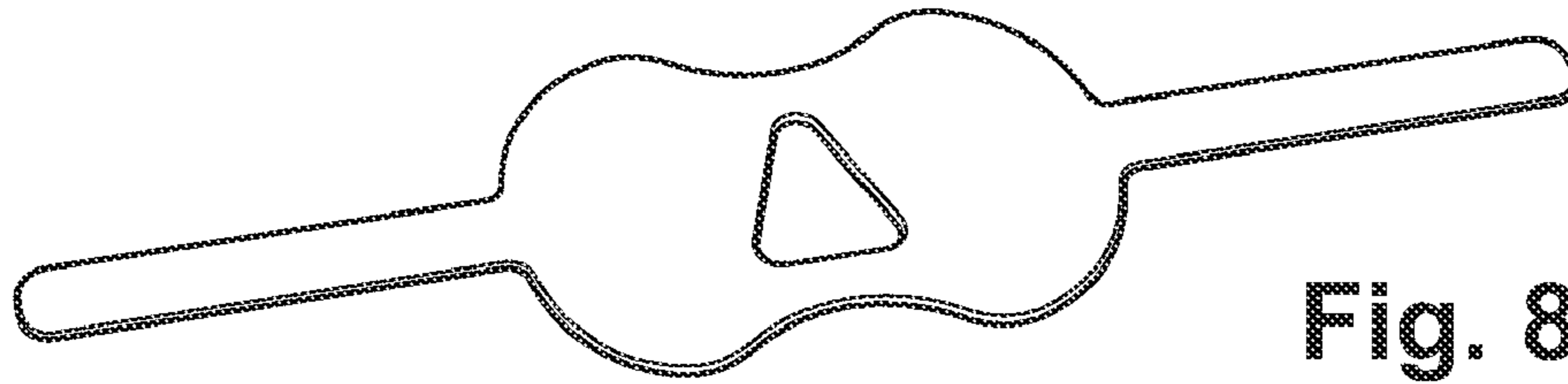


Fig. 8

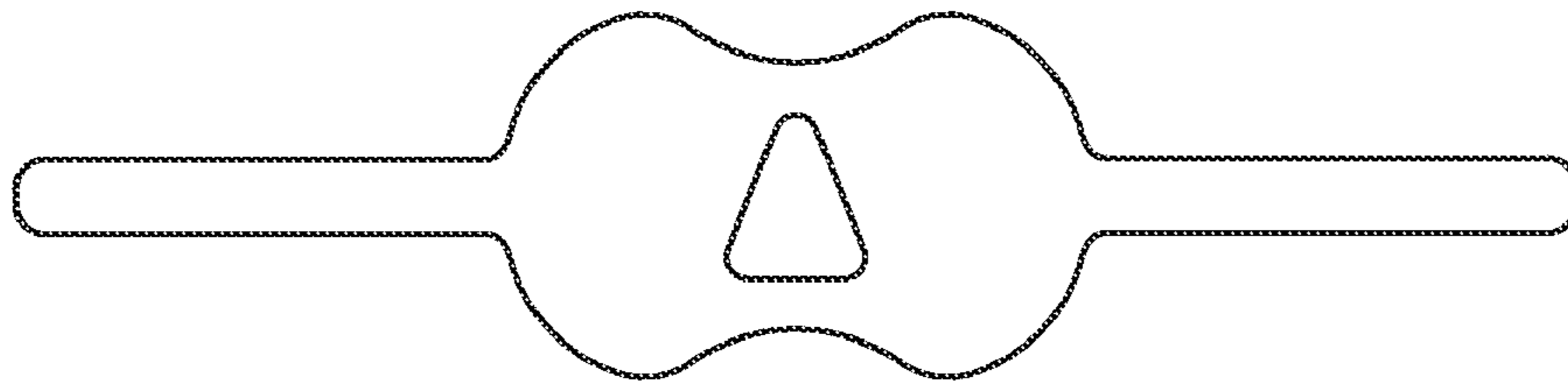


Fig. 9



Fig.10

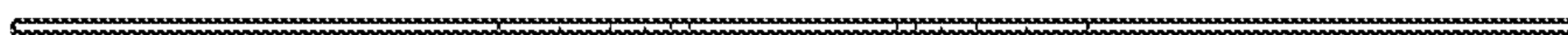


Fig.11