



US00D635609S

(12) **United States Design Patent**
Hamanaga

(10) **Patent No.:** **US D635,609 S**

(45) **Date of Patent:** **** *Apr. 5, 2011**

(54) **SILENCER FOR SAXOPHONE**

(75) Inventor: **Shinji Hamanaga**, Shizuoka (JP)

(73) Assignee: **Best Brass Corporation**, Iwata-shi,
Shizuoka (JP)

(*) Notice: This patent is subject to a terminal disclaimer.

(**) Term: **14 Years**

(21) Appl. No.: **29/273,968**

(22) Filed: **Mar. 16, 2007**

(30) **Foreign Application Priority Data**

Nov. 10, 2006 (JP) 2006-030838

(51) **LOC (9) Cl.** **17-02**

(52) **U.S. Cl.** **D17/13**

(58) **Field of Classification Search** D17/13,
D17/99; 84/400; D3/204; 206/314

See application file for complete search history.

(56) **References Cited**

U.S. PATENT DOCUMENTS

D35,833	S	*	4/1902	Kennedy	D3/204
2,160,229	A	*	5/1939	Rupert	84/453
D225,033	S	*	10/1972	Hyman	D3/204
4,190,152	A	*	2/1980	Reiter	206/314
6,239,338	B1	*	5/2001	Robinson	84/385 R
D489,172	S	*	5/2004	Izen et al.	D3/204
D520,735	S	*	5/2006	Izen et al.	D3/204

* cited by examiner

Primary Examiner — Ian Simmons

Assistant Examiner — Rashida Johnson

(74) *Attorney, Agent, or Firm* — Flynn, Thiel, Boutell & Tanis, P.C.

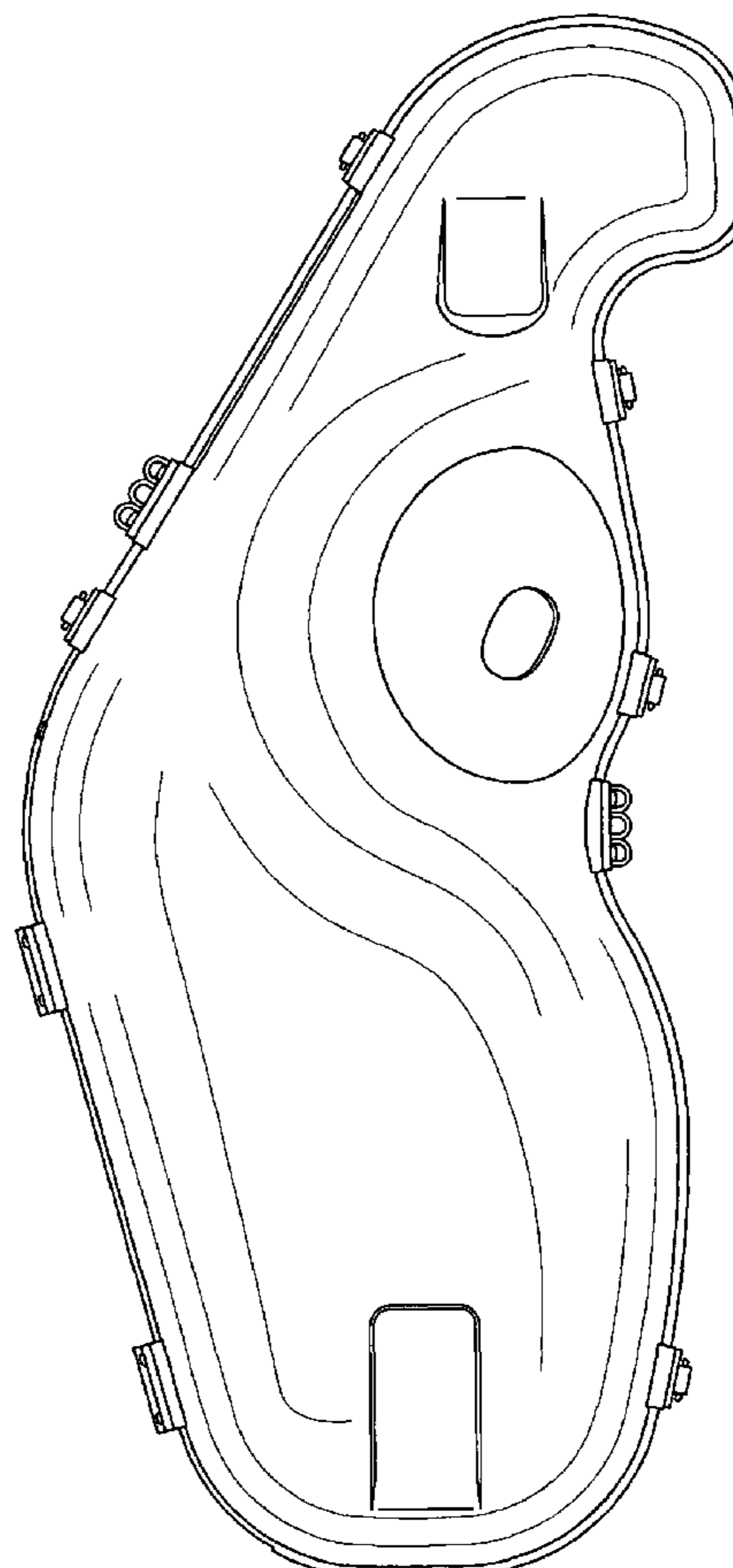
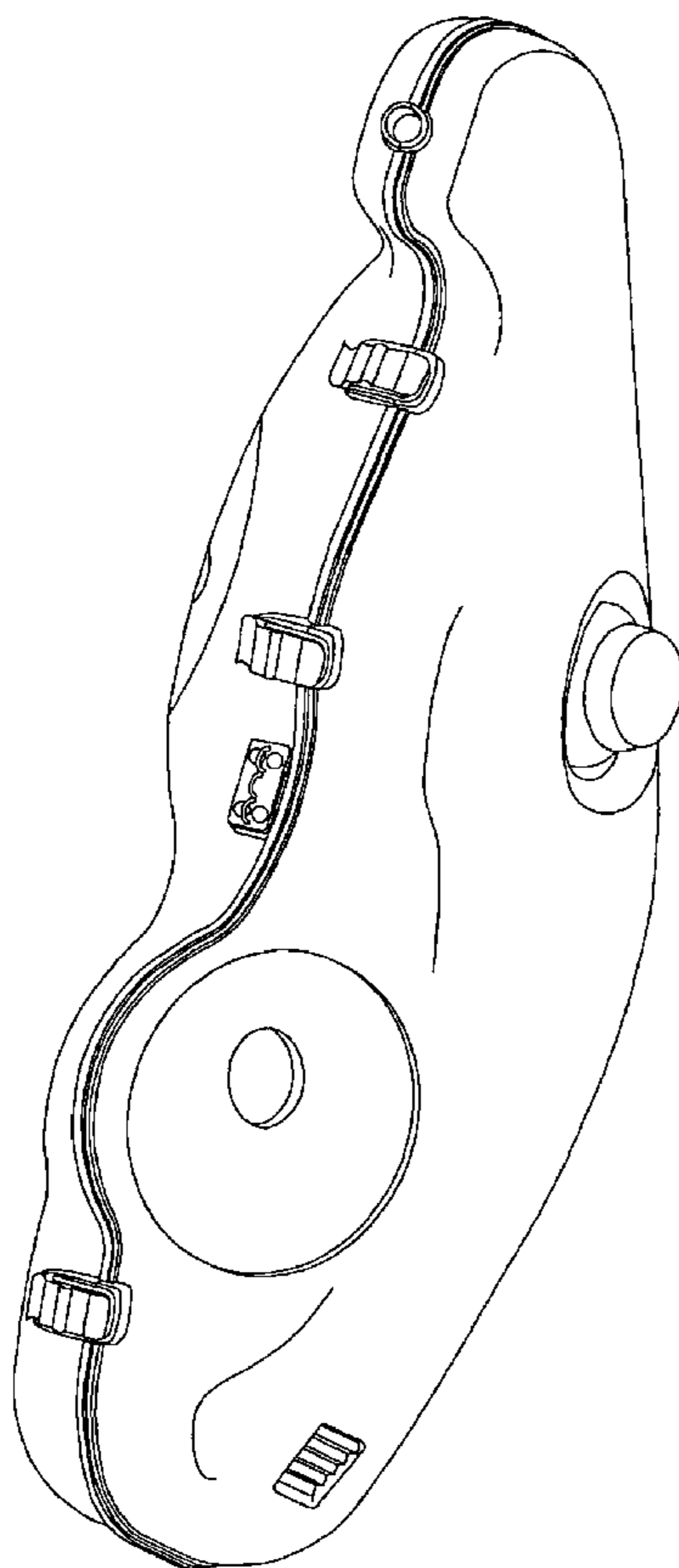
(57) **CLAIM**

The ornamental design for a silencer for saxophone, as shown and described.

DESCRIPTION

FIG. 1 is a perspective view of a silencer for saxophone;
FIG. 2 is a front elevational view thereof;
FIG. 3 is a rear elevational view thereof;
FIG. 4 is a right side view thereof;
FIG. 5 is a left side view thereof;
FIG. 6 is a top plan view thereof; and,
FIG. 7 is a bottom plan view thereof.

1 Claim, 6 Drawing Sheets



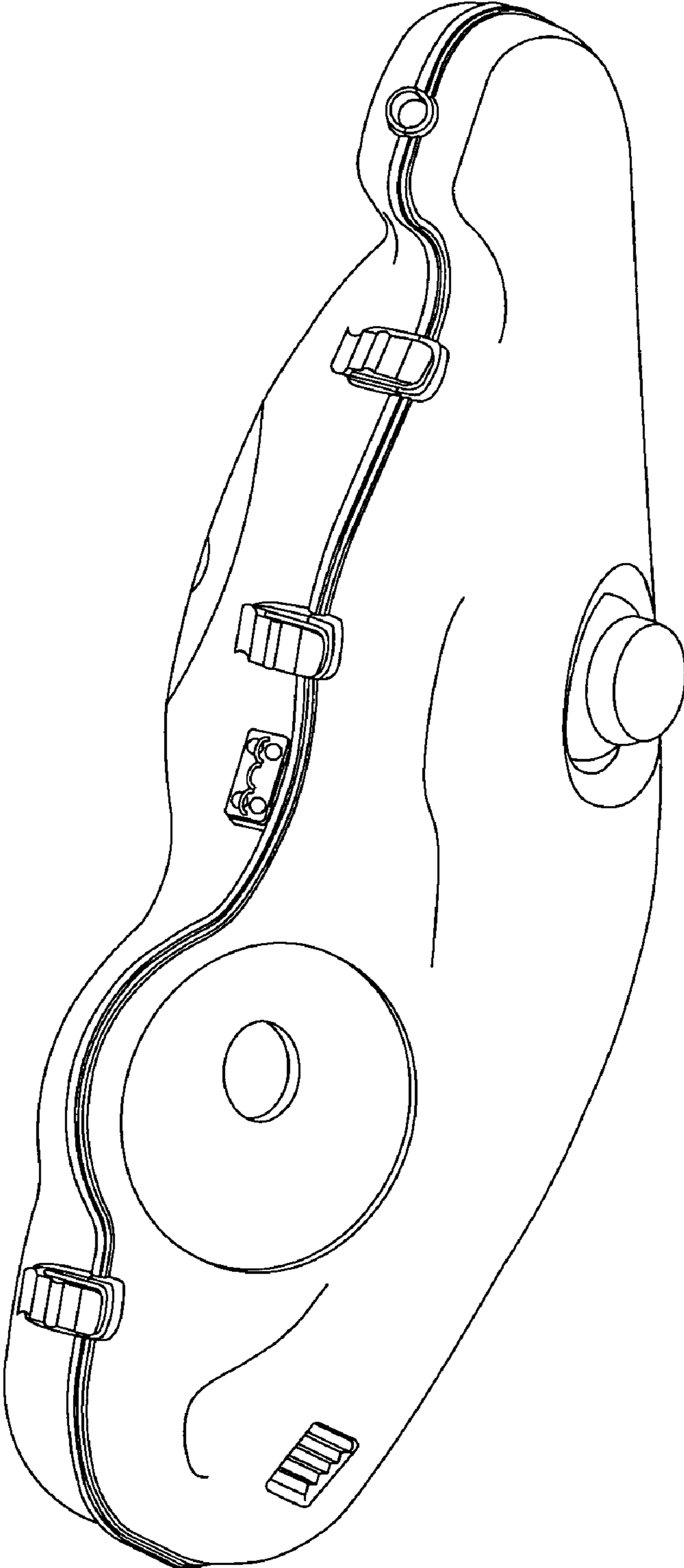


FIG. 1

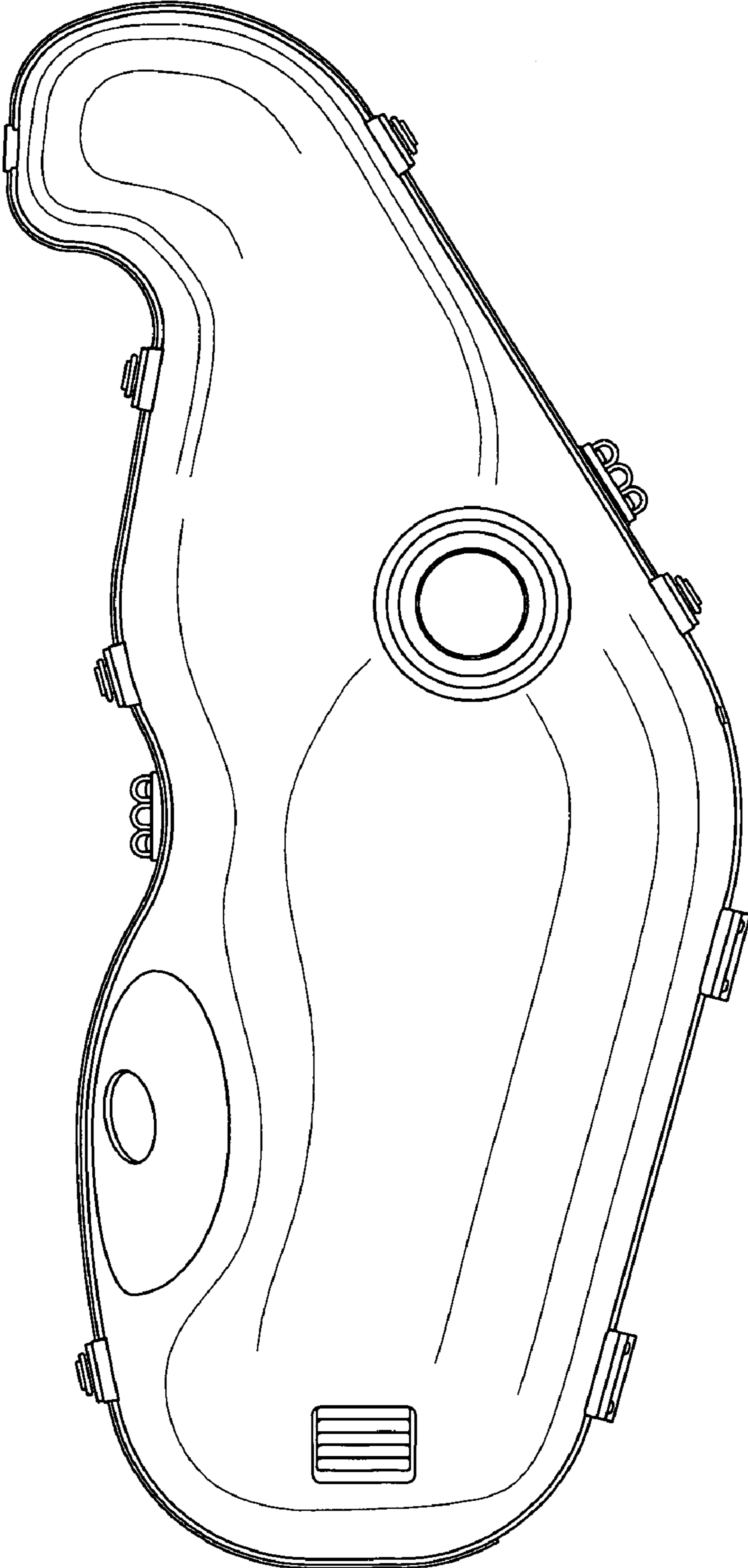


FIG. 2

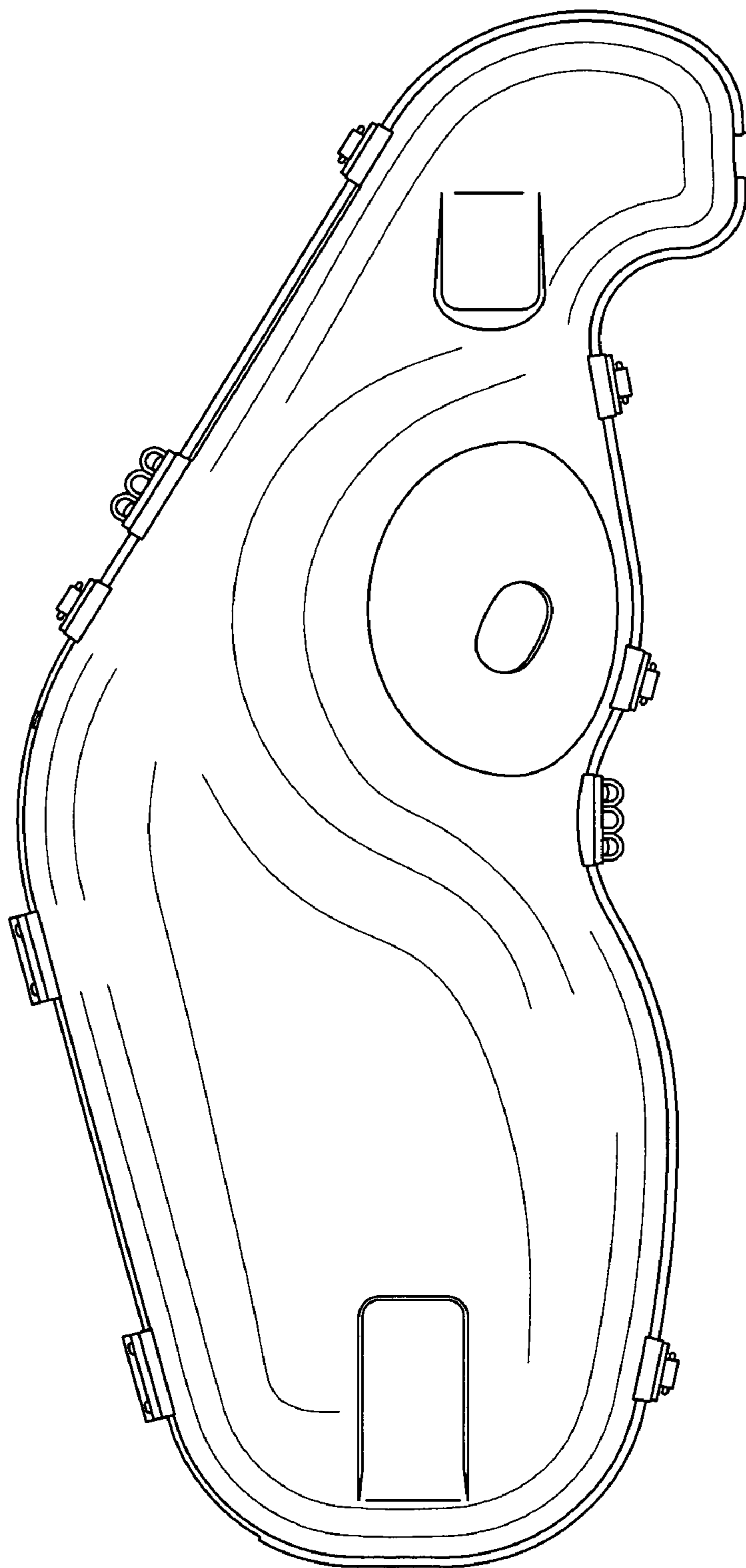


FIG. 3

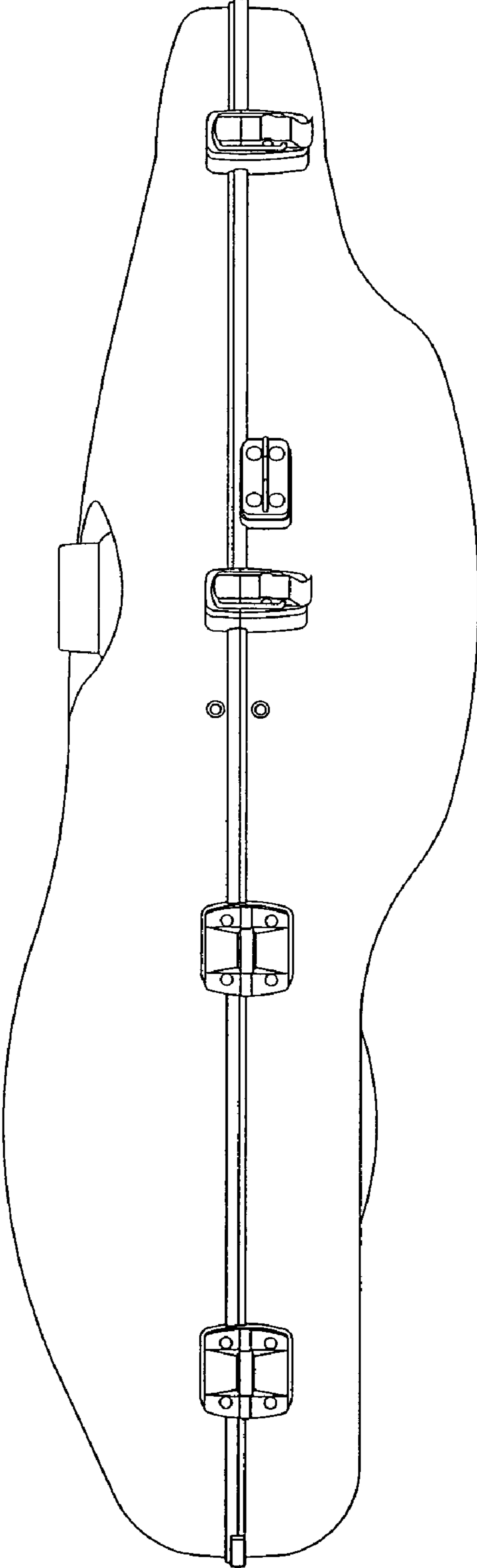


FIG. 4

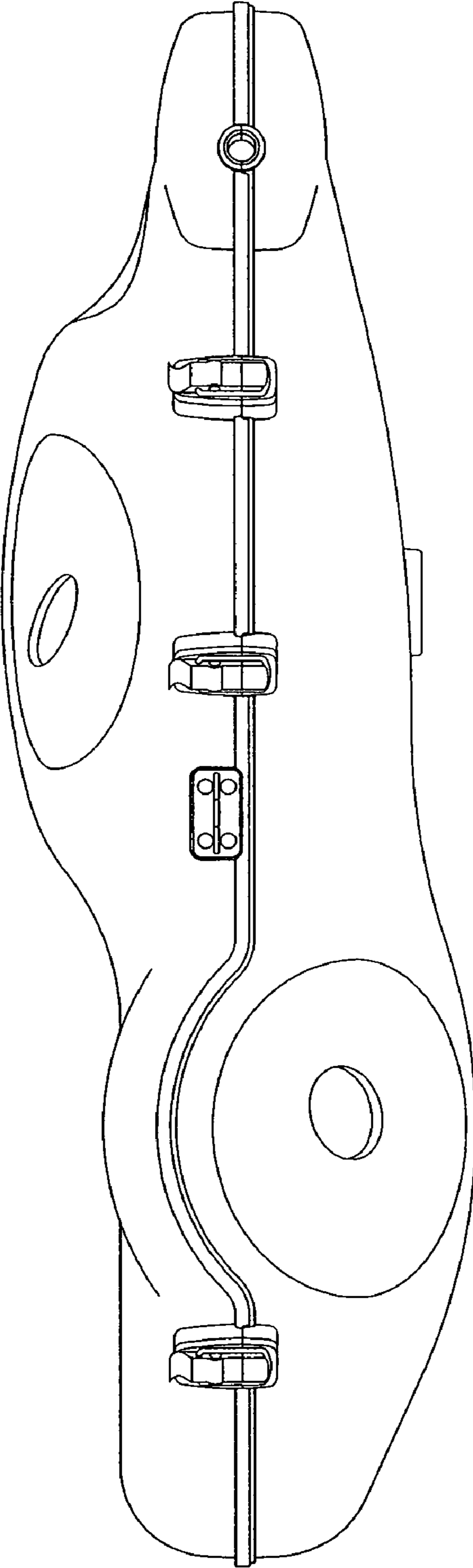


FIG. 5

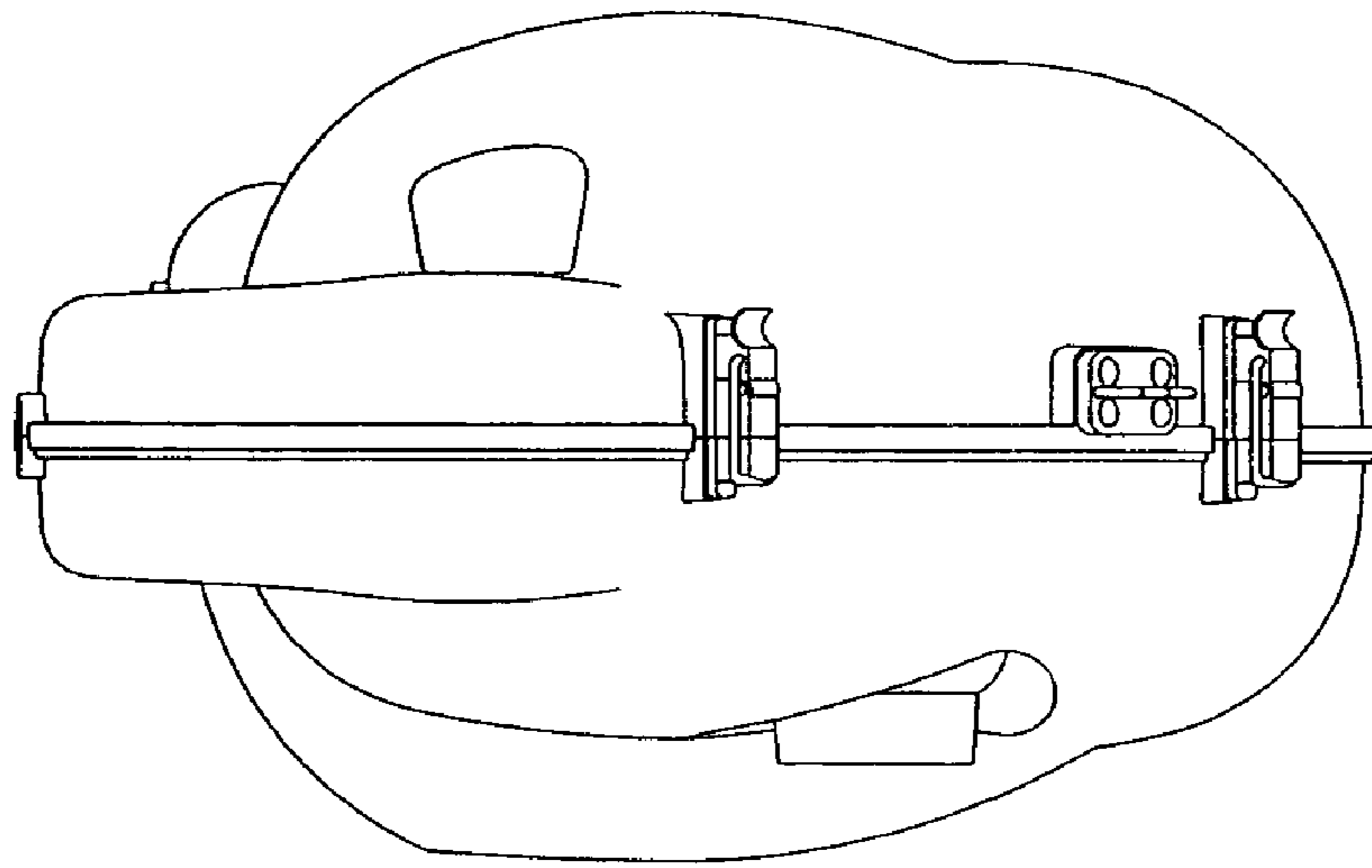


FIG. 6

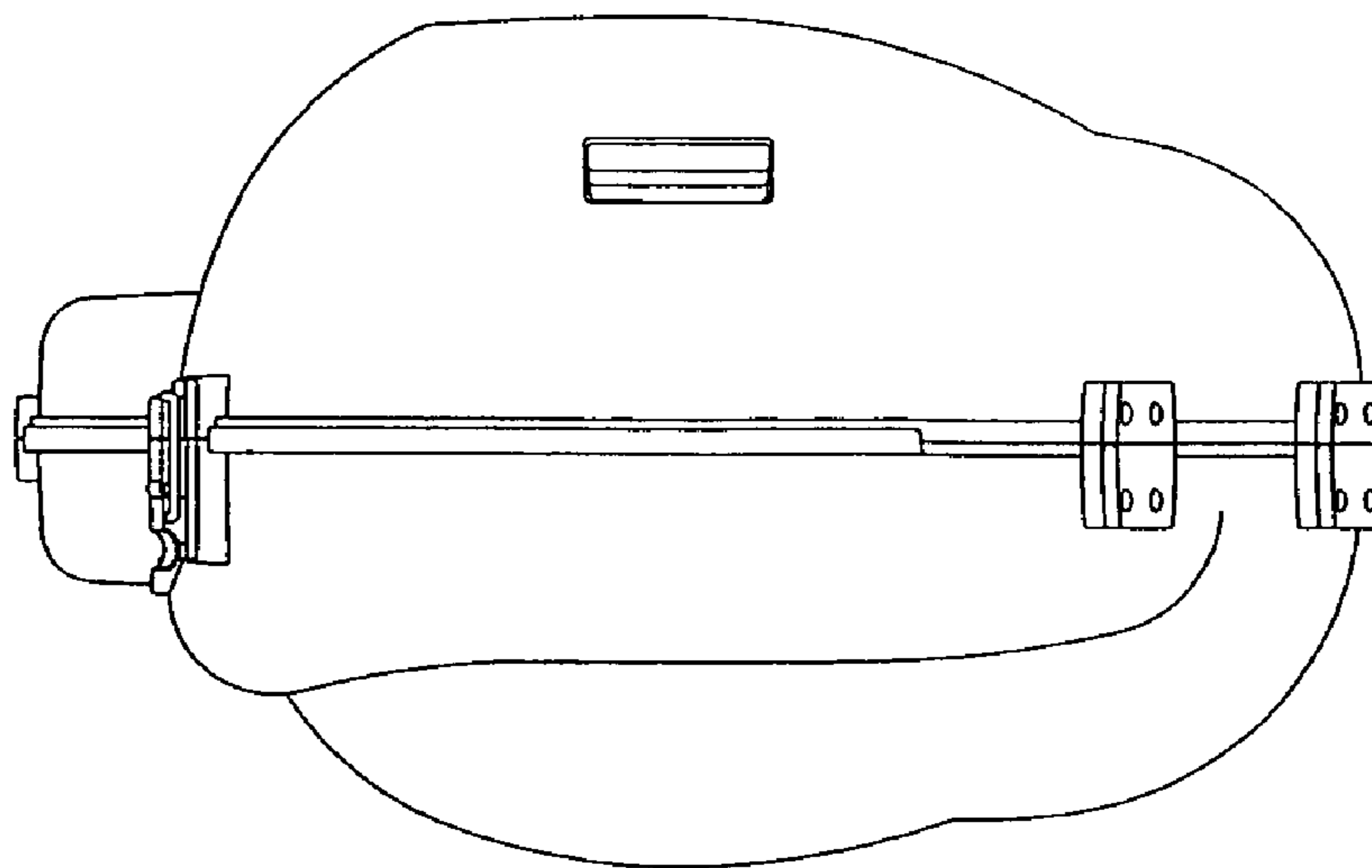


FIG. 7