



US00D635607S

(12) **United States Design Patent**  
**Takagi**

(10) **Patent No.:** **US D635,607 S**

(45) **Date of Patent:** **\*\* Apr. 5, 2011**

(54) **VIDEO CAMERA**

(75) Inventor: **Noriaki Takagi**, Tokyo (JP)

(73) Assignee: **Sony Corporation**, Tokyo (JP)

(\*\*) Term: **14 Years**

(21) Appl. No.: **29/311,840**

(22) Filed: **Jul. 8, 2009**

(30) **Foreign Application Priority Data**

Apr. 1, 2009 (CN) ..... 2009 3 0003782  
Apr. 1, 2009 (JP) ..... D2009-007597

(51) **LOC (9) Cl.** ..... **16-05**

(52) **U.S. Cl.** ..... **D16/219**

(58) **Field of Classification Search** ..... D16/200-205;  
348/373-376; 358/906; 359/704; 396/529,  
396/535-541

See application file for complete search history.

(56) **References Cited**

**U.S. PATENT DOCUMENTS**

D391,588 S	3/1998	Sumita	
D463,469 S	9/2002	Kawase	
D484,164 S *	12/2003	Ogura	..... D16/202
D486,510 S *	2/2004	Ogura	..... D16/219
D488,495 S	4/2004	Shimizu	
D500,069 S	12/2004	Hayashi	
D508,066 S	8/2005	Ikenaga	
D511,350 S	11/2005	Sumita	

D524,841 S	7/2006	Ikenaga	
D534,195 S	12/2006	Ikenaga	
D559,289 S	1/2008	Shimizu	
D559,880 S	1/2008	Sumita	
D617,360 S *	6/2010	Endo et al.	..... D16/134
D620,965 S *	8/2010	Takagi	..... D16/219
7,787,194 B2 *	8/2010	Nairn et al.	..... 359/704

\* cited by examiner

*Primary Examiner* — Adir Aronovich

(74) *Attorney, Agent, or Firm* — Rader, Fishman & Grauer PLLC

(57) **CLAIM**

The ornamental design for a video camera, as shown and described.

**DESCRIPTION**

FIG. 1 is a perspective view of a video camera showing my new design;

FIG. 2 is a front elevational view thereof;

FIG. 3 is a left side elevational view thereof;

FIG. 4 is a right side elevational view thereof;

FIG. 5 is a top plan view thereof; and

FIG. 6 is a bottom plan view thereof; and,

FIG. 7 is an enlarged perspective view thereof shown along the lines 7—7 and 7'—7' of FIG. 1.

The portions of the video camera in broken lines are illustrated to show the environment only and form no part of the claimed design.

**1 Claim, 7 Drawing Sheets**

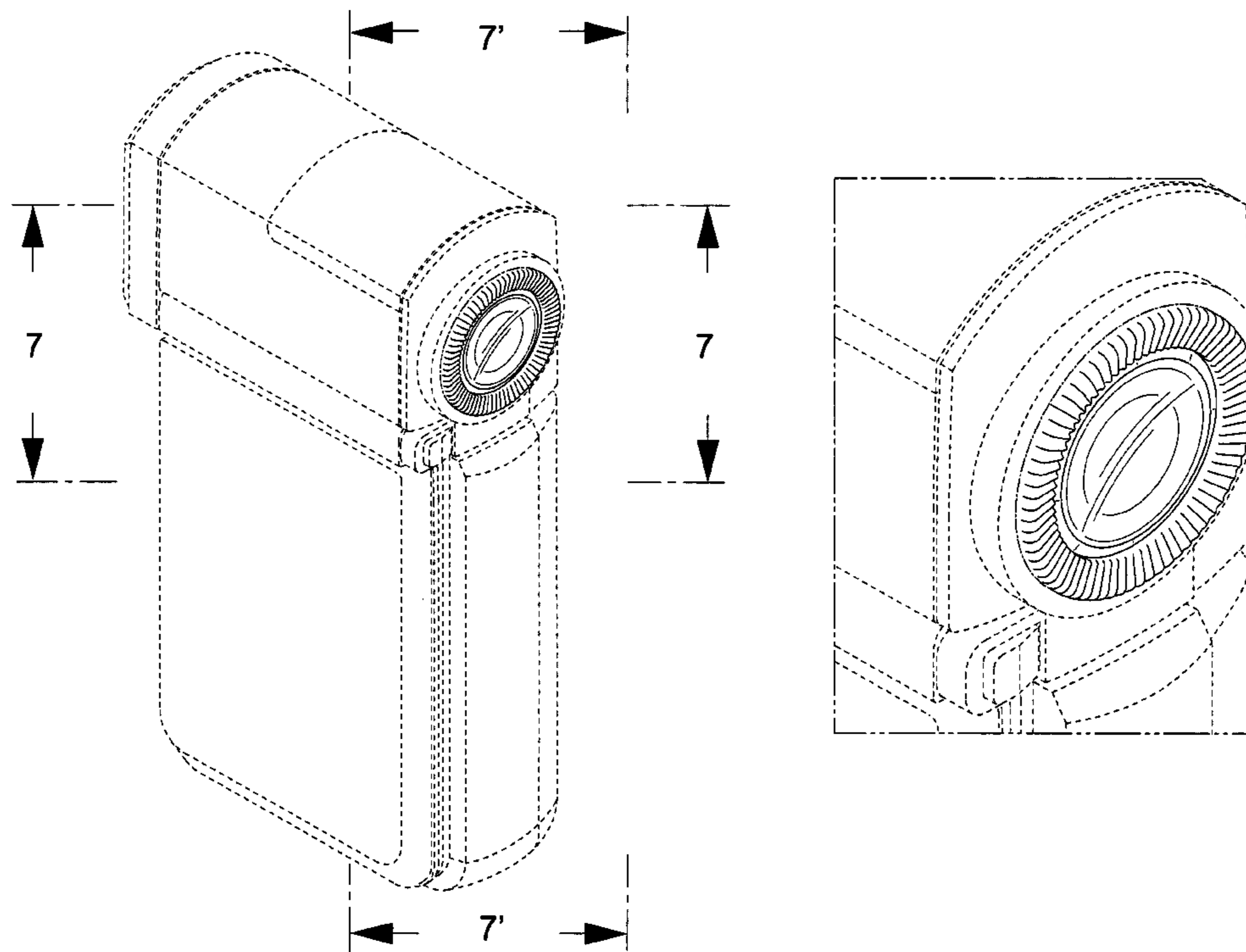


FIG.1

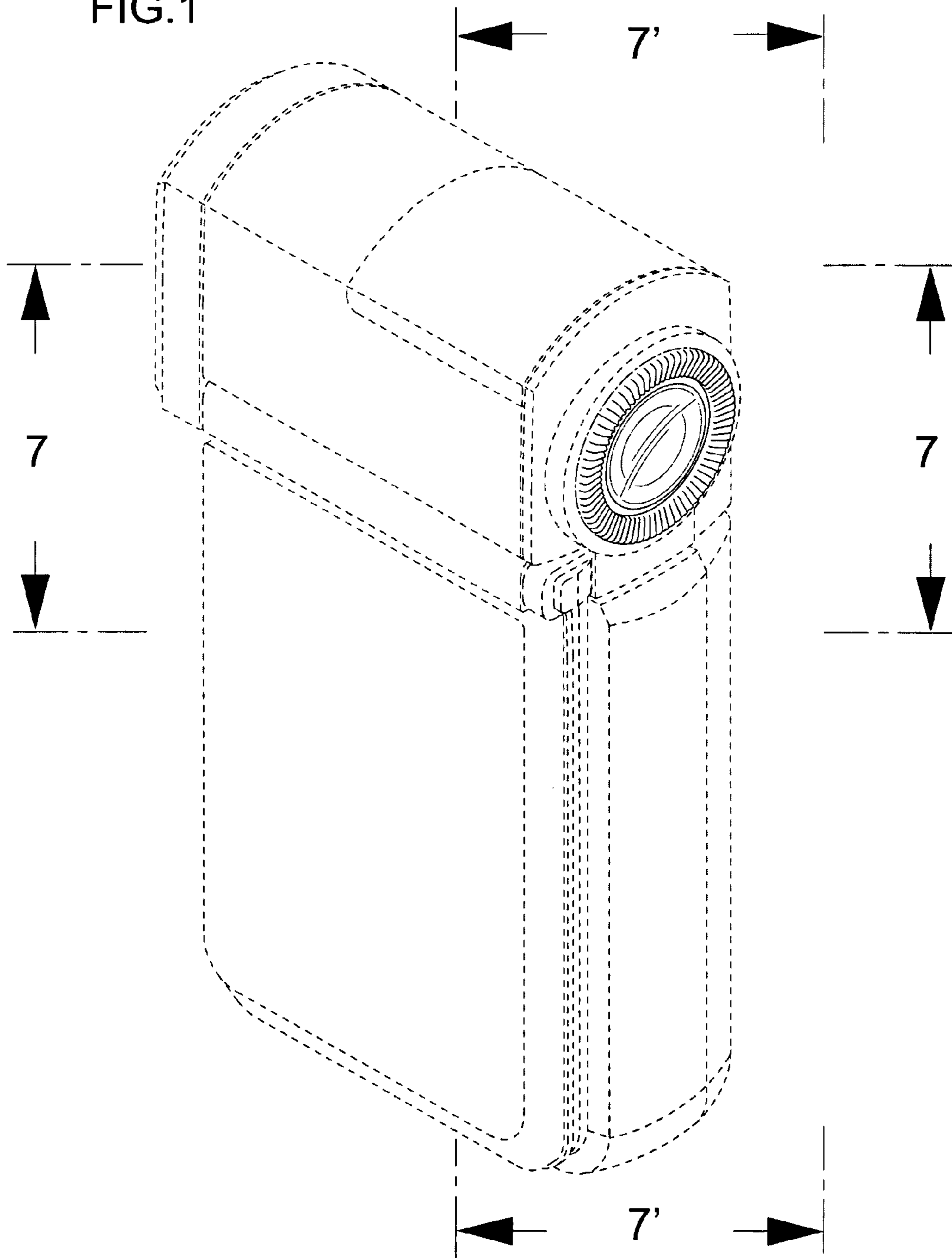


FIG.2

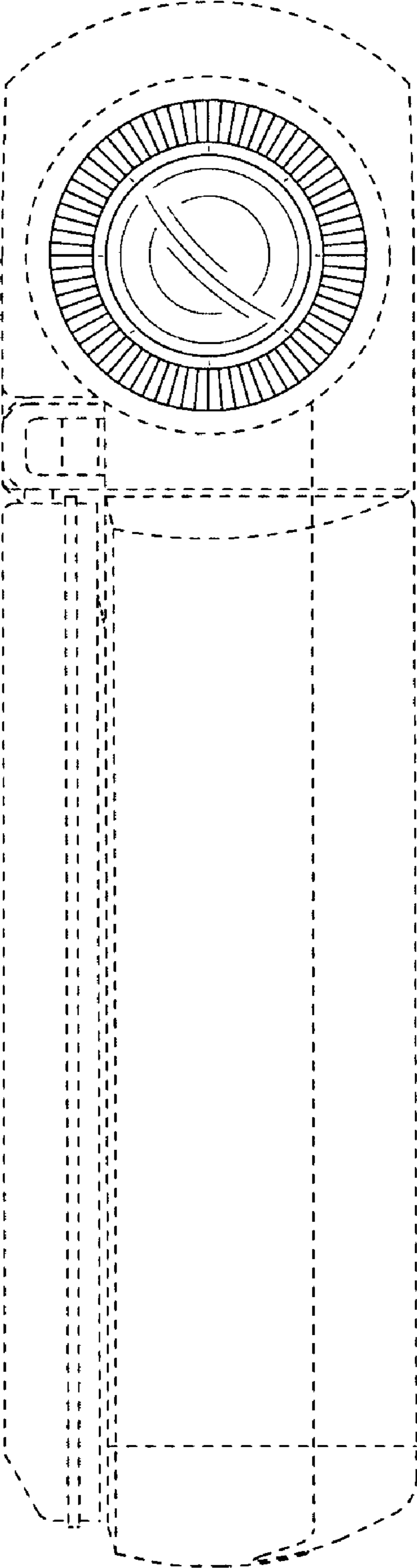


FIG.3

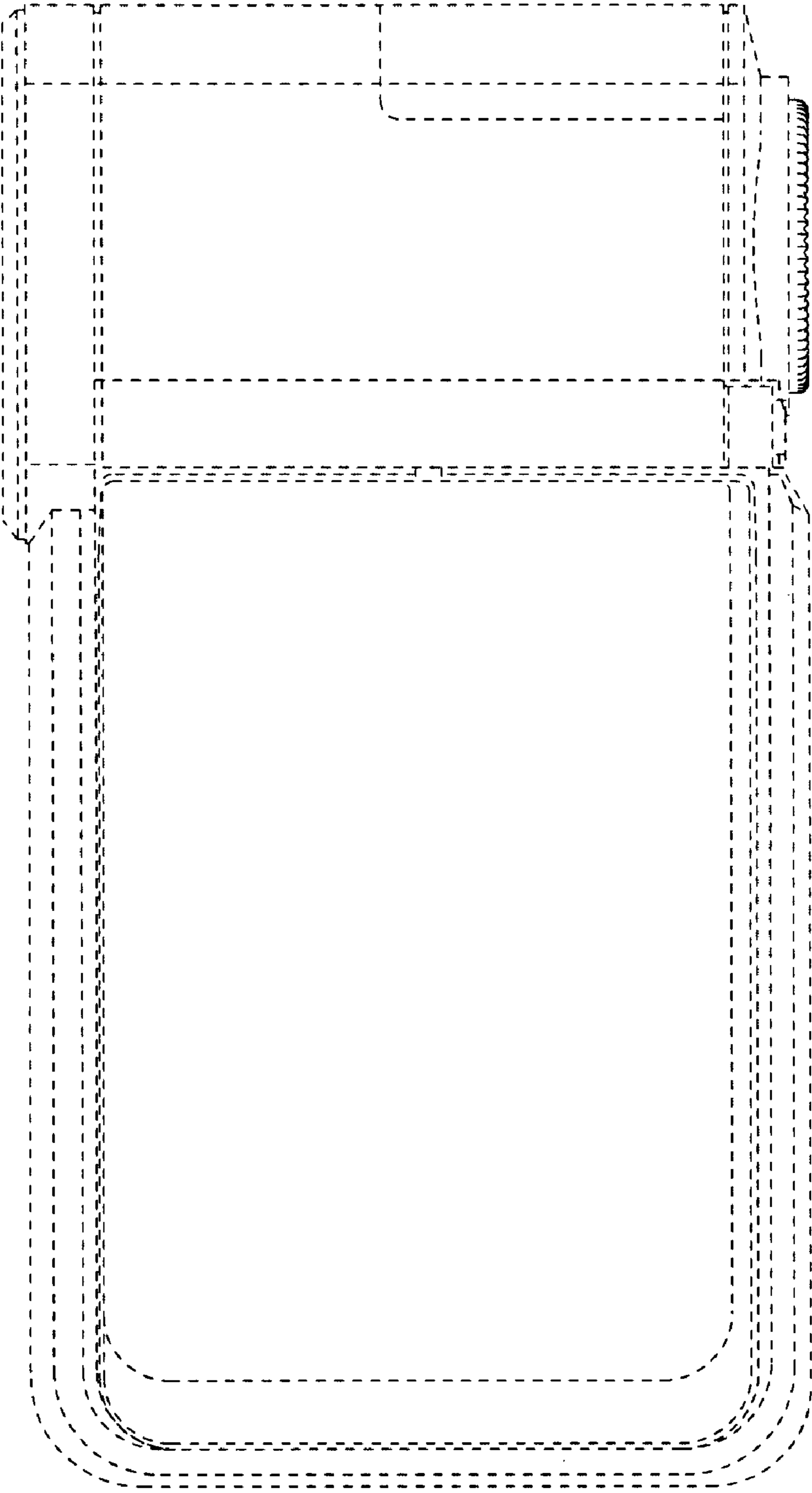
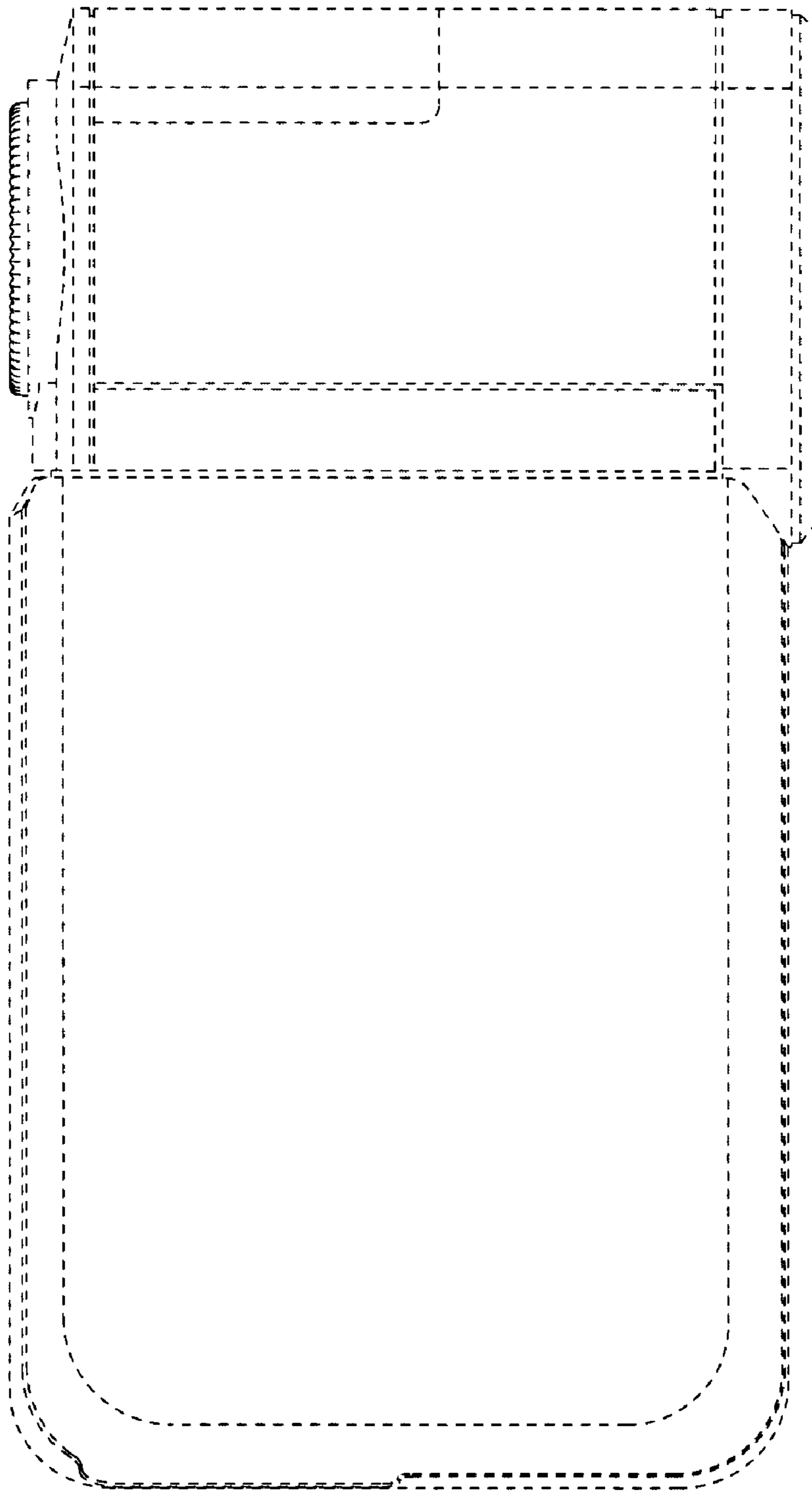


FIG.4



# FIG. 5

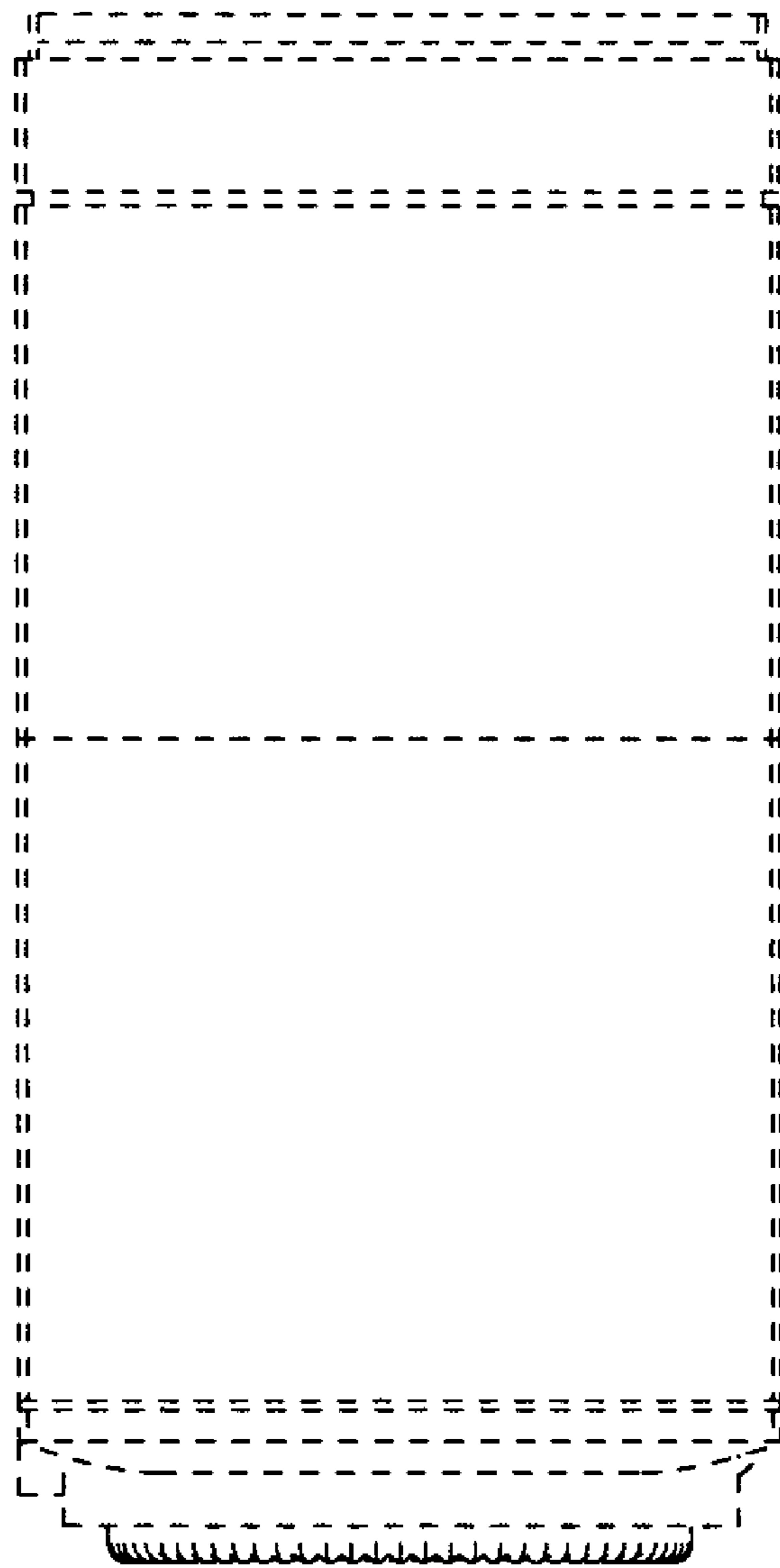


FIG.6

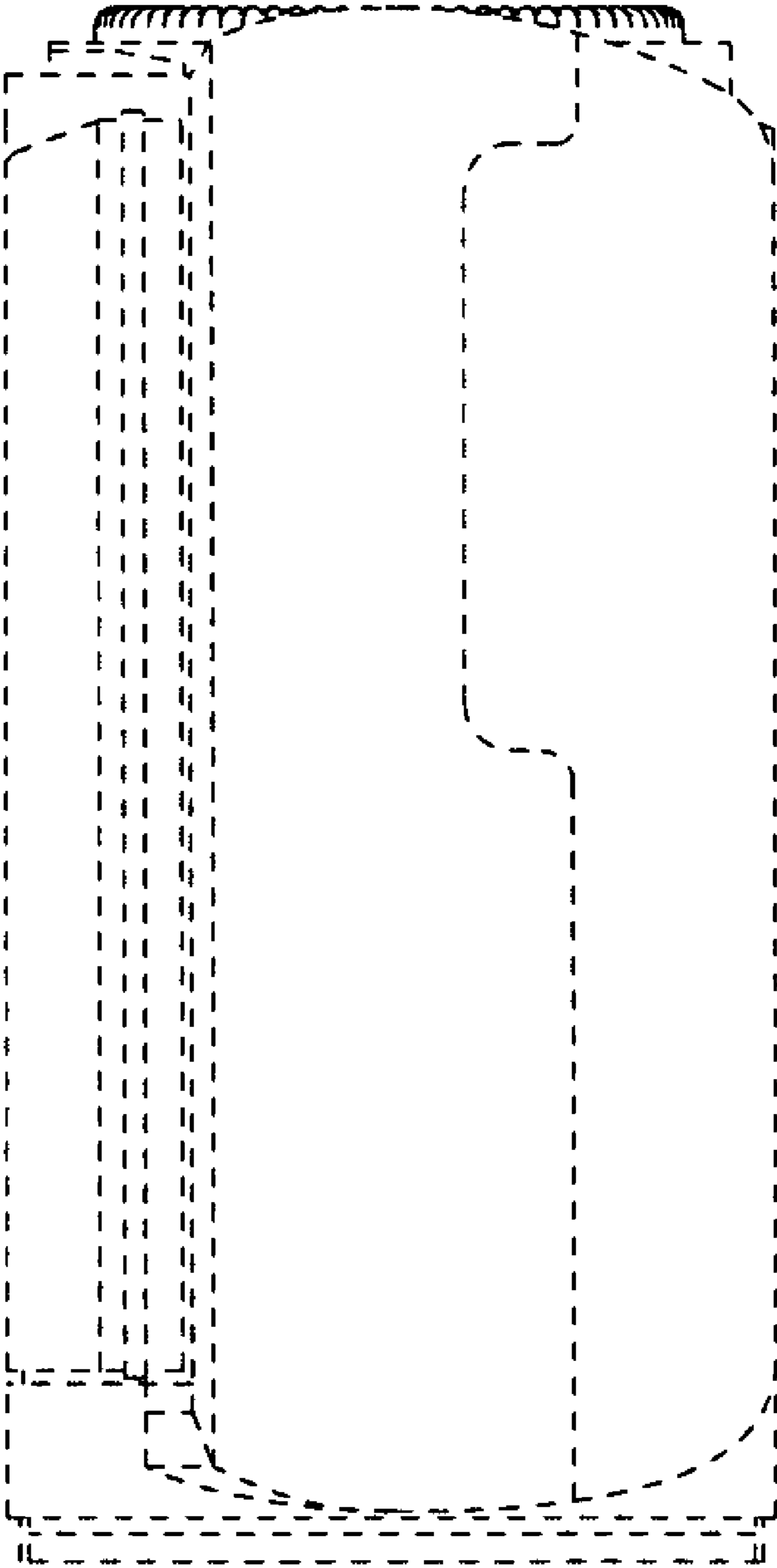




FIG. 7

