



US00D635605S

(12) **United States Design Patent**
Katayama

(10) **Patent No.:** **US D635,605 S**

(45) **Date of Patent:** **** Apr. 5, 2011**

(54) **ELECTRONIC CAMERA**

(75) Inventor: **Noriko Katayama**, Kanagawa (JP)

(73) Assignee: **FUJIFILM Corporation**, Tokyo (JP)

(**) Term: **14 Years**

(21) Appl. No.: **29/358,219**

(22) Filed: **Mar. 24, 2010**

(30) **Foreign Application Priority Data**

Sep. 25, 2009 (JP) 2009-022131

(51) **LOC (9) Cl.** **16-01**

(52) **U.S. Cl.** **D16/212; D16/202**

(58) **Field of Classification Search** D16/200,
D16/202, 204, 208, 212, 218, 219; 348/373-376;
358/909.1; 396/349, 448, 535-541

See application file for complete search history.

(56) **References Cited**

U.S. PATENT DOCUMENTS

5,970,265 A * 10/1999 Schelling 396/448
D496,678 S * 9/2004 Kawase D16/218
D542,322 S * 5/2007 Miyashita D16/218

D570,391 S * 6/2008 Hibi D16/212
D574,029 S * 7/2008 Yamagishi D16/218
D608,812 S * 1/2010 Tainaka D16/212
2009/0103914 A1 * 4/2009 Kitagawa et al. 396/448

* cited by examiner

Primary Examiner — Adir Aronovich

(74) *Attorney, Agent, or Firm* — Young & Thompson

(57) **CLAIM**

The ornamental design for an electronic camera, as shown and described.

DESCRIPTION

FIG. 1 is top, front and right side perspective view of an electronic camera showing my new design;
FIG. 2 is top, rear and left side perspective view thereof;
FIG. 3 is a front elevational view thereof;
FIG. 4 is a rear elevational view thereof;
FIG. 5 is a top plan view thereof;
FIG. 6 is a bottom plan view thereof;
FIG. 7 is a left side elevational view thereof;
FIG. 8 is a right side elevational view thereof; and,
FIG. 9 is top, front and right side perspective view thereof, with the lens cover in a closed position.

1 Claim, 8 Drawing Sheets

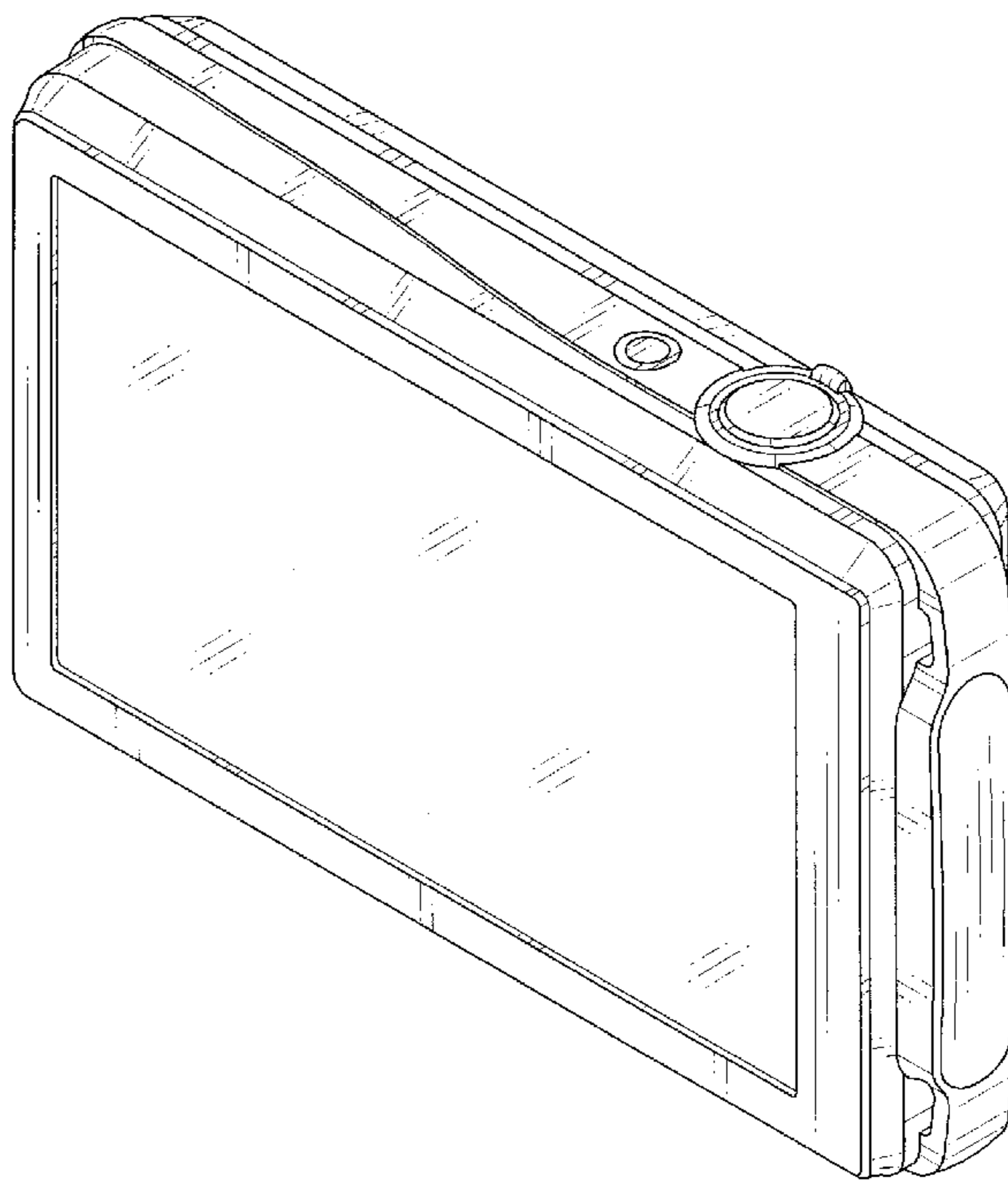
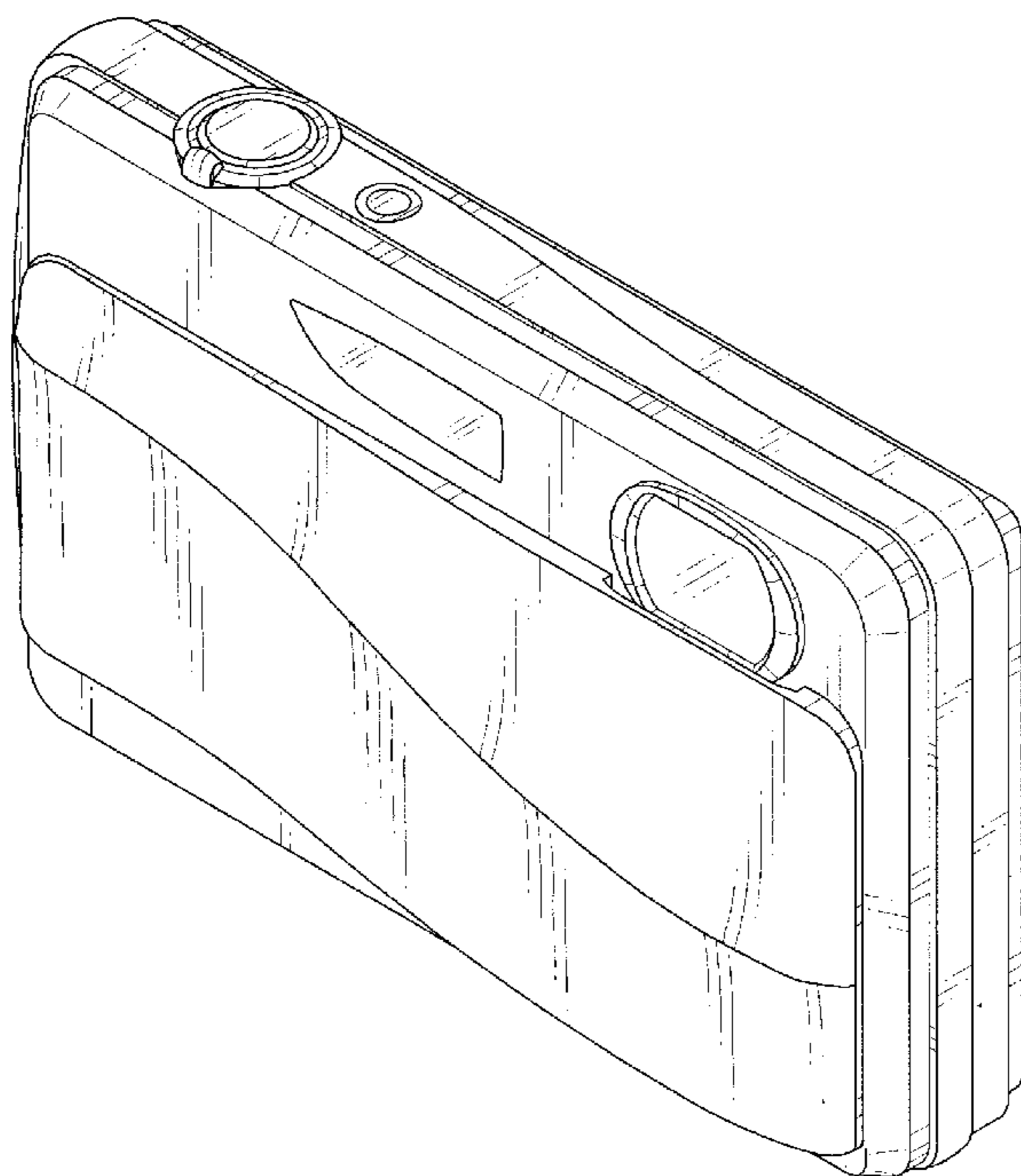


FIG. 1

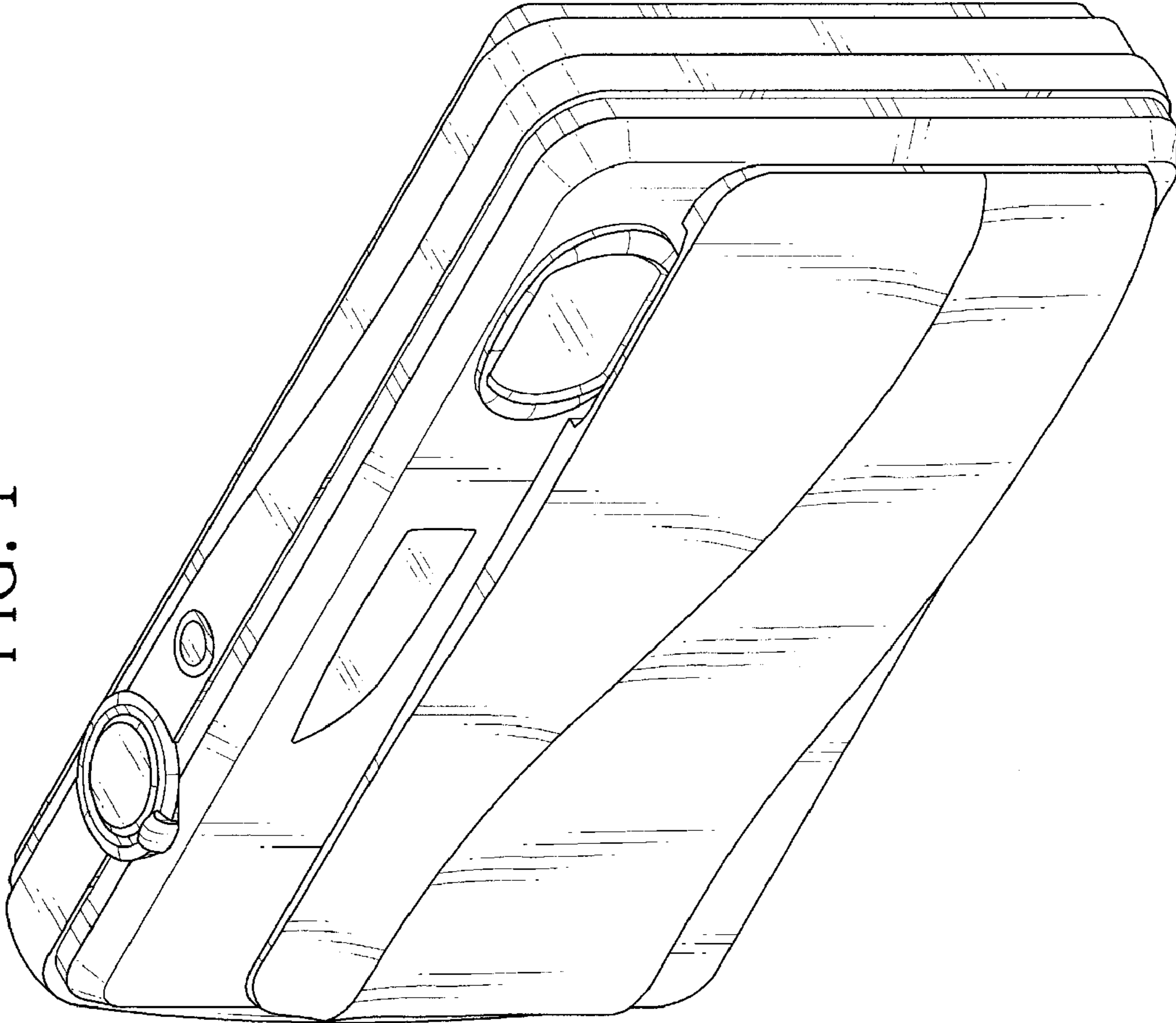


FIG. 2

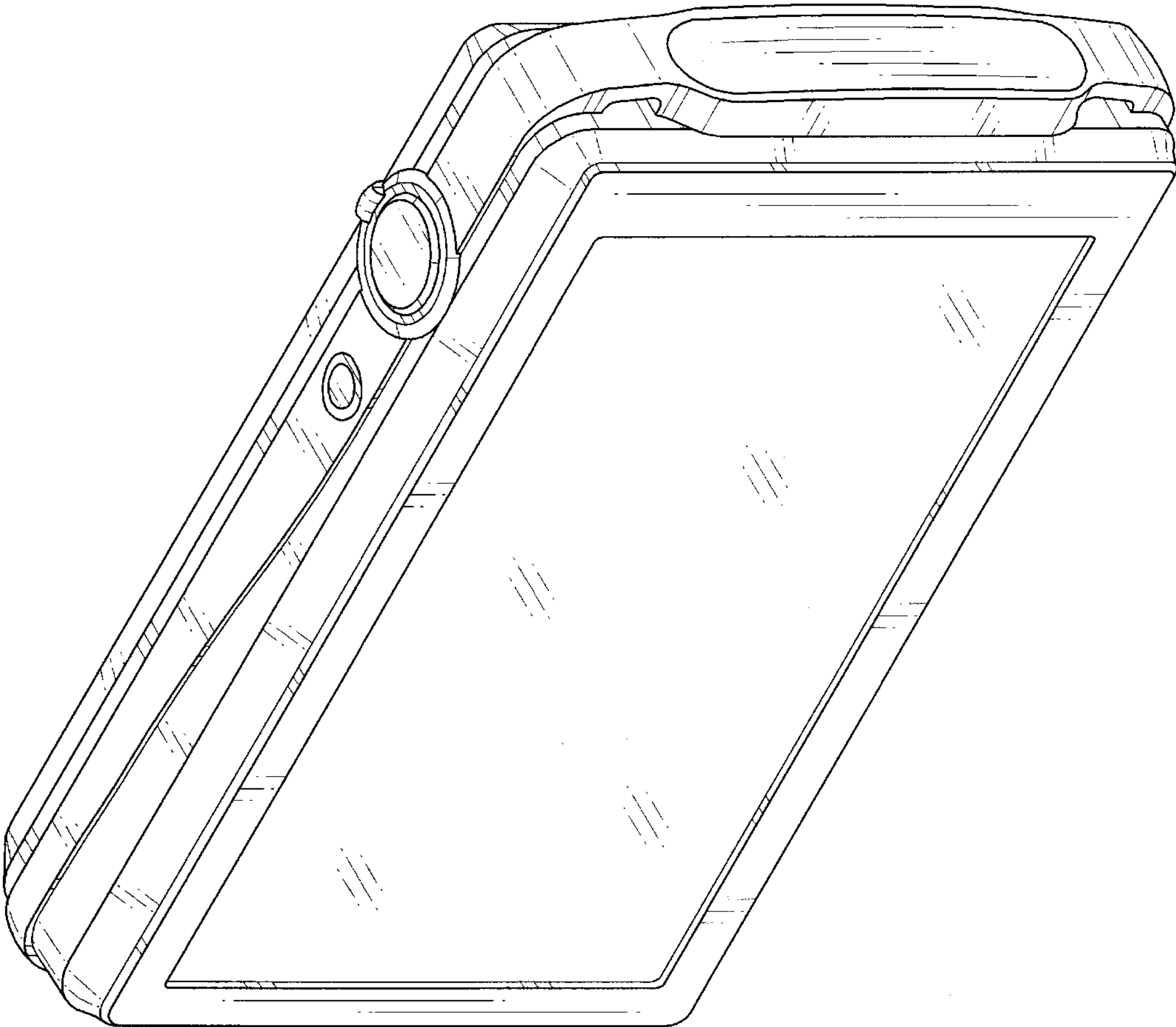


FIG. 3

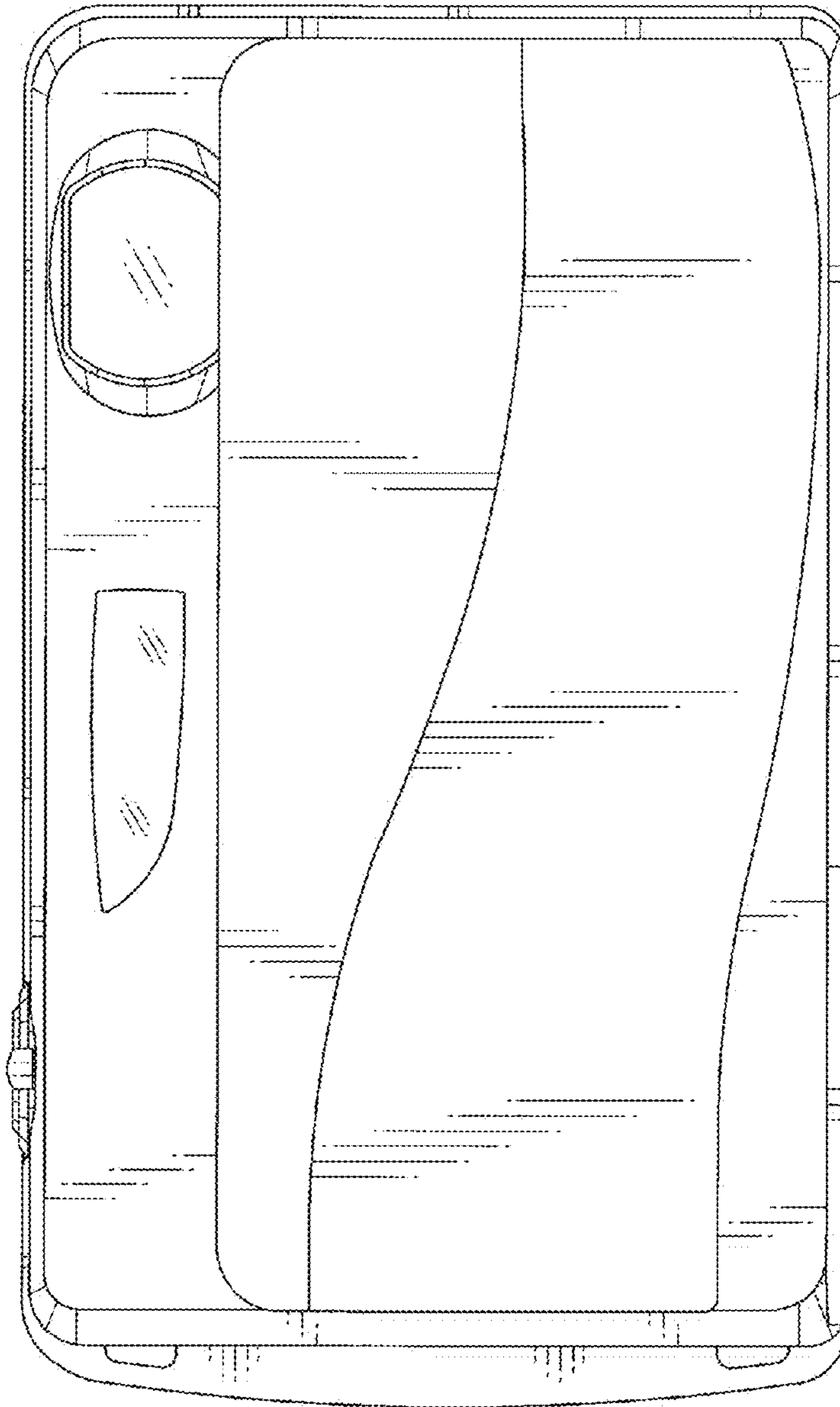


FIG. 4

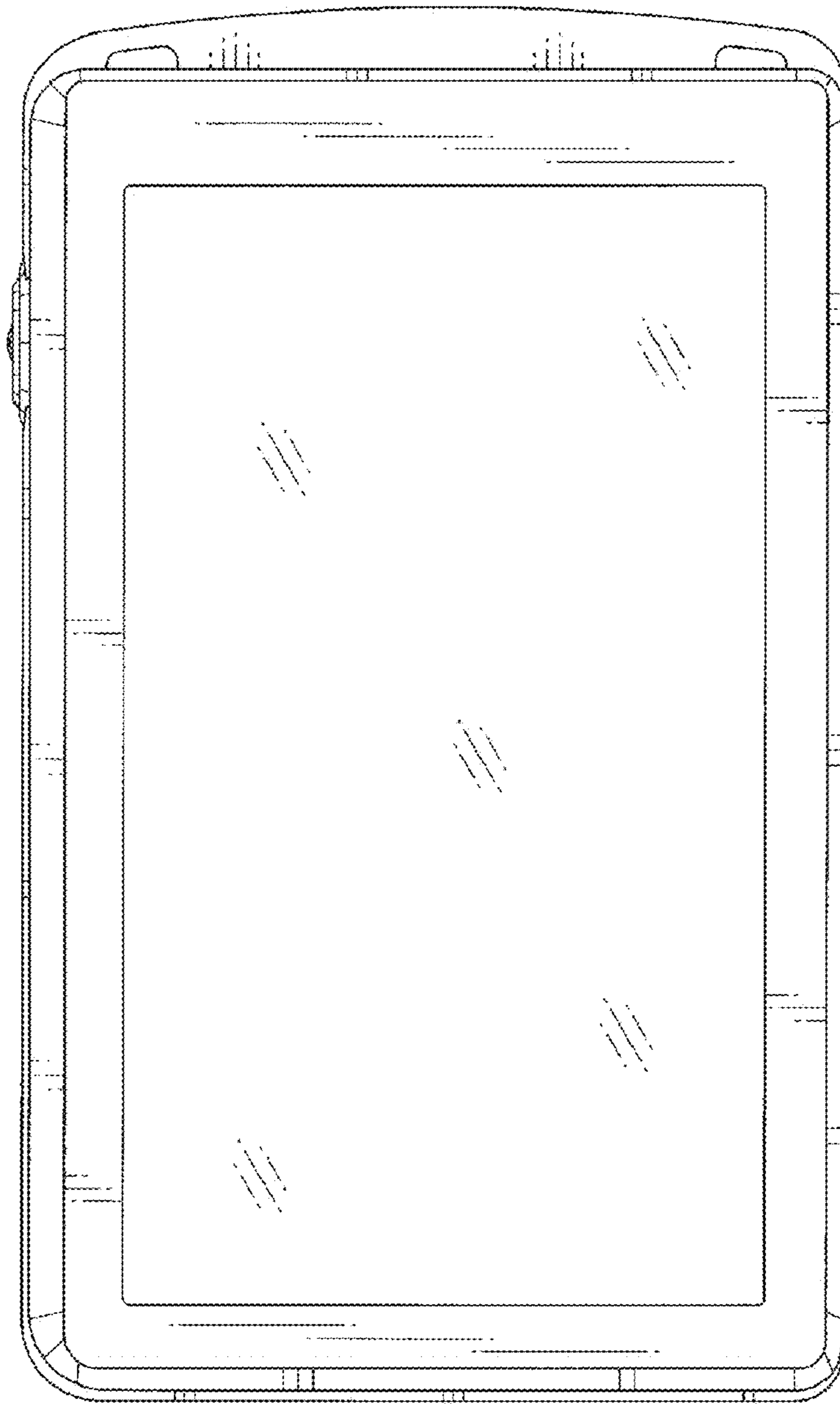


FIG. 5

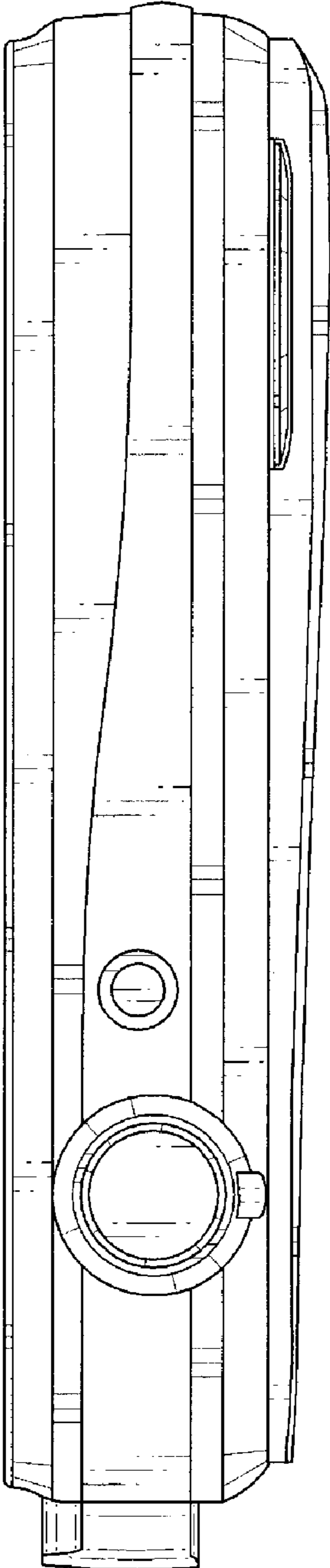


FIG. 6

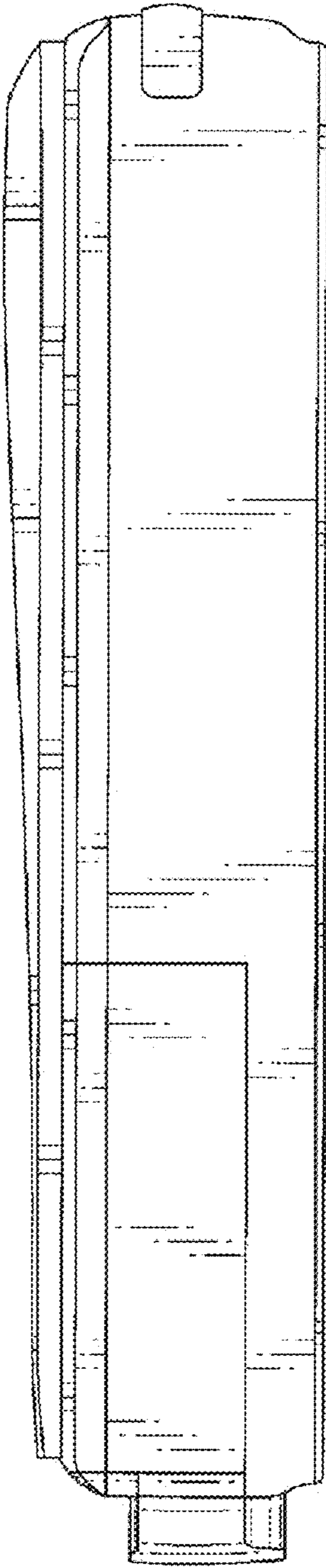


FIG. 8

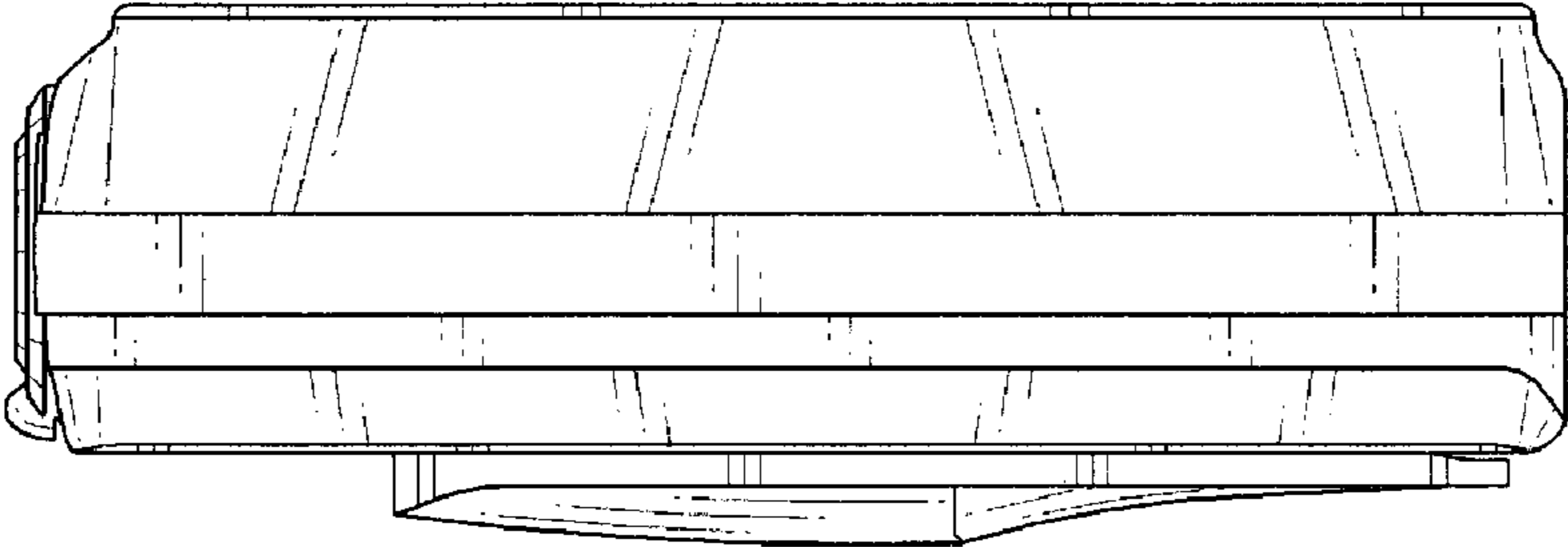


FIG. 7

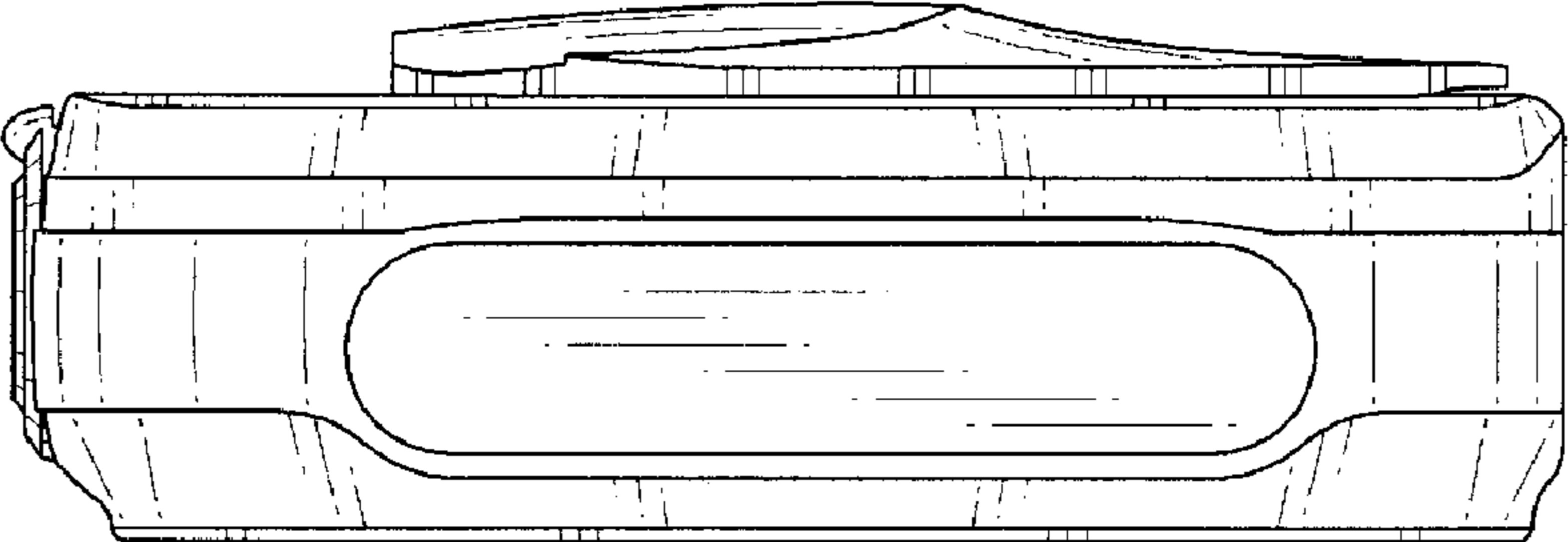


FIG. 9

