



US00D635604S

(12) **United States Design Patent**
Sul et al.

(10) **Patent No.:** **US D635,604 S**

(45) **Date of Patent:** **** Apr. 5, 2011**

(54) **DIGITAL CAMERA**

(75) Inventors: **Sung-woo Sul**, Suwon-si (KR); **In-shik Kim**, Suwon-si (KR)

(73) Assignee: **Samsung Electronics Co., Ltd.**,
Suwon-si (KR)

(**) Term: **14 Years**

(21) Appl. No.: **29/368,321**

(22) Filed: **Aug. 23, 2010**

(30) **Foreign Application Priority Data**

Feb. 23, 2010 (KR) 30-2010-0007843

(51) **LOC (9) Cl.** **16-01**

(52) **U.S. Cl.** **D16/202**

(58) **Field of Classification Search** D16/200-204,
D16/208, 218; 348/373-376; 358/909.1;
396/535-541

See application file for complete search history.

(56) **References Cited**

U.S. PATENT DOCUMENTS

D566,149	S	*	4/2008	Sumita	D16/202
D568,359	S	*	5/2008	Tajima	D16/202
D570,890	S	*	6/2008	Yoneya et al.	D16/202
D596,213	S	*	7/2009	Hwang	D16/202
7,646,426	B2	*	1/2010	Saiki et al.	348/373
D628,220	S	*	11/2010	Lee	D16/202

* cited by examiner

Primary Examiner — Adir Aronovich

(74) *Attorney, Agent, or Firm* — Drinker Biddle & Reath LLP

(57) **CLAIM**

The ornamental design for a digital camera, as shown and described.

DESCRIPTION

FIG. 1 is a top, front, and right side perspective view of a digital camera showing our new design; FIG. 2 is a front elevational view of the digital camera; FIG. 3 is a rear elevational view of the digital camera; FIG. 4 is a left side elevational view of the digital camera; FIG. 5 is a right side elevational view of the digital camera; FIG. 6 is a top plan view of the digital camera; and, FIG. 7 is a bottom plan view of the digital camera.

1 Claim, 4 Drawing Sheets

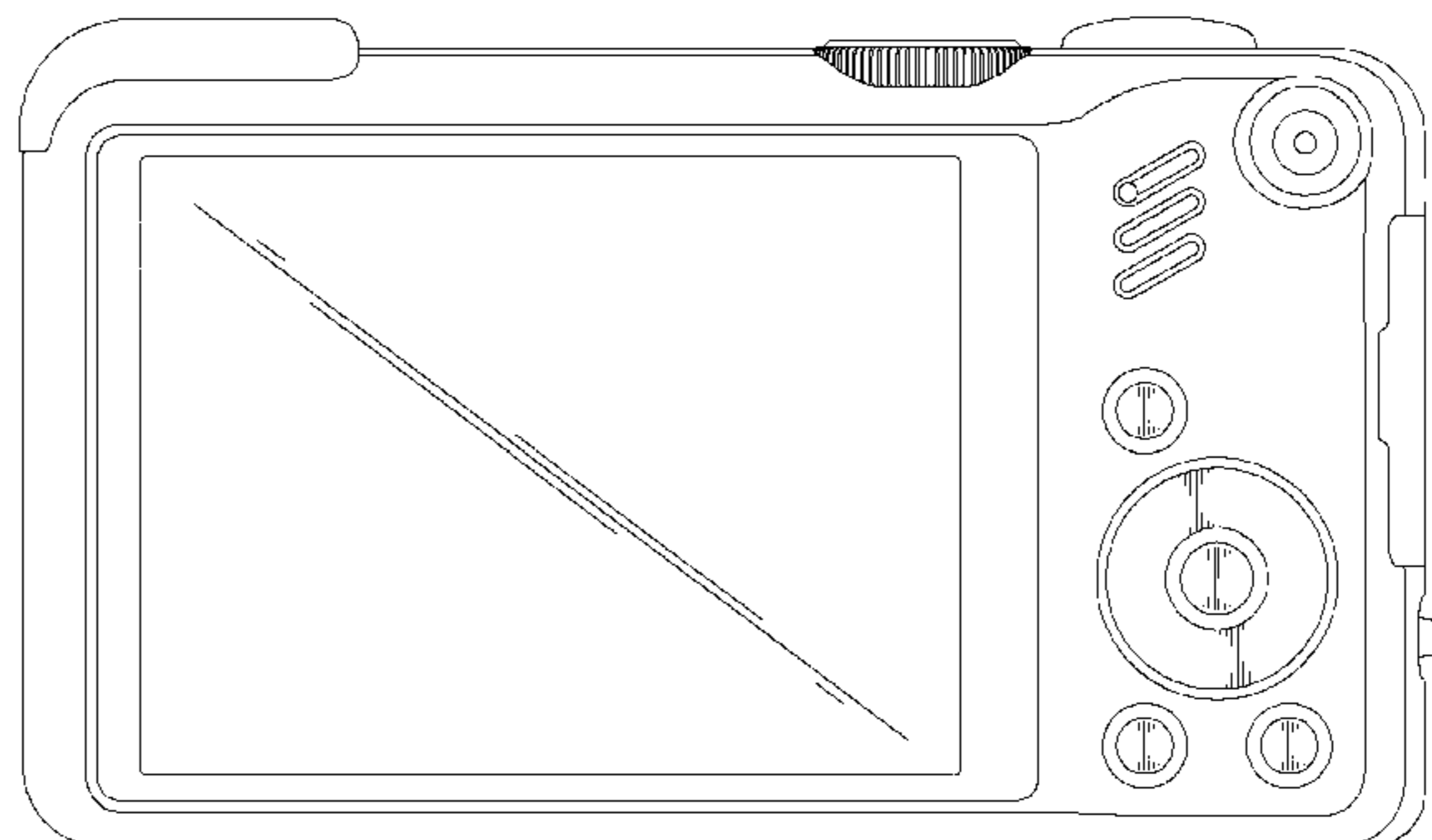
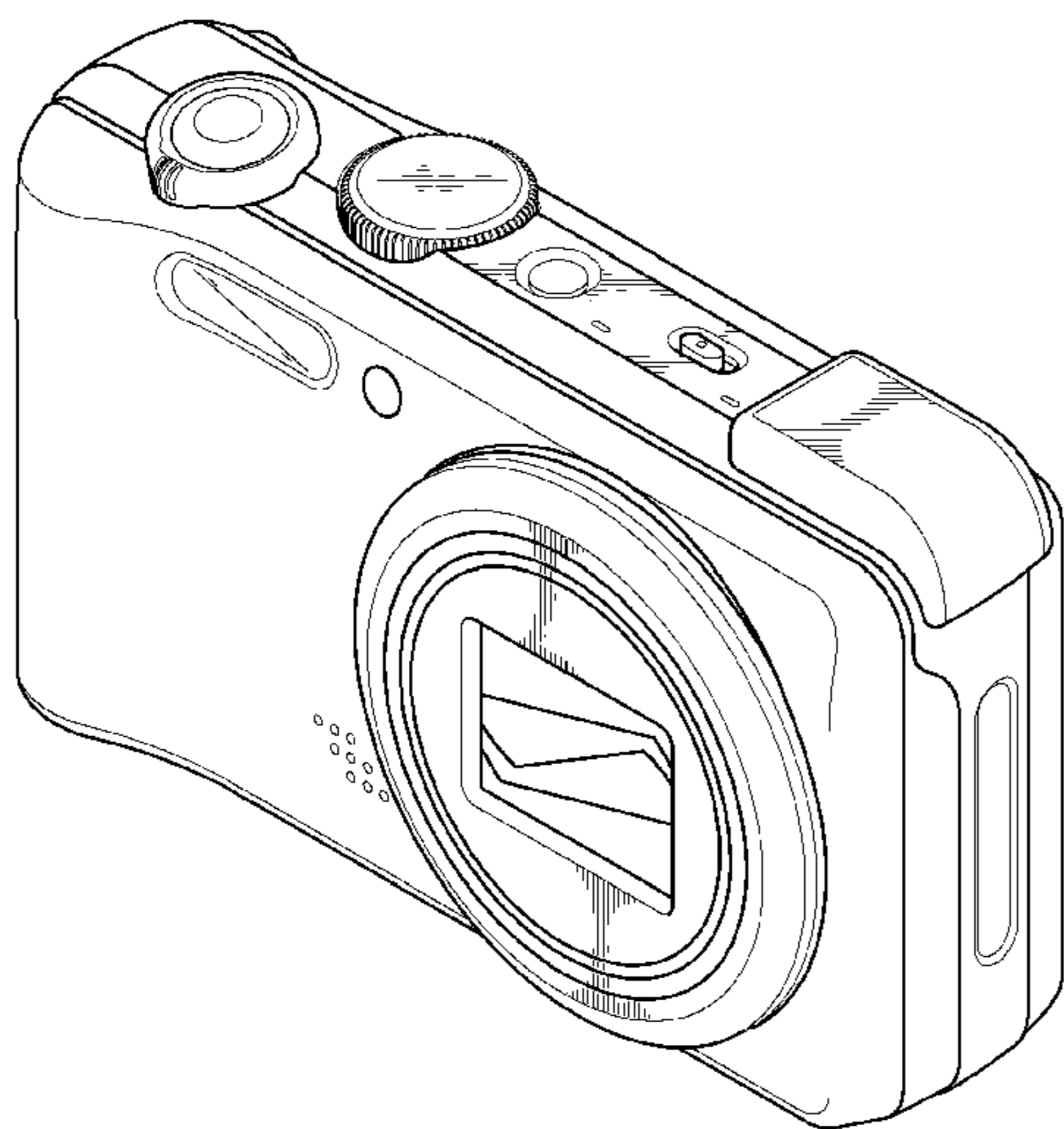


FIG. 1

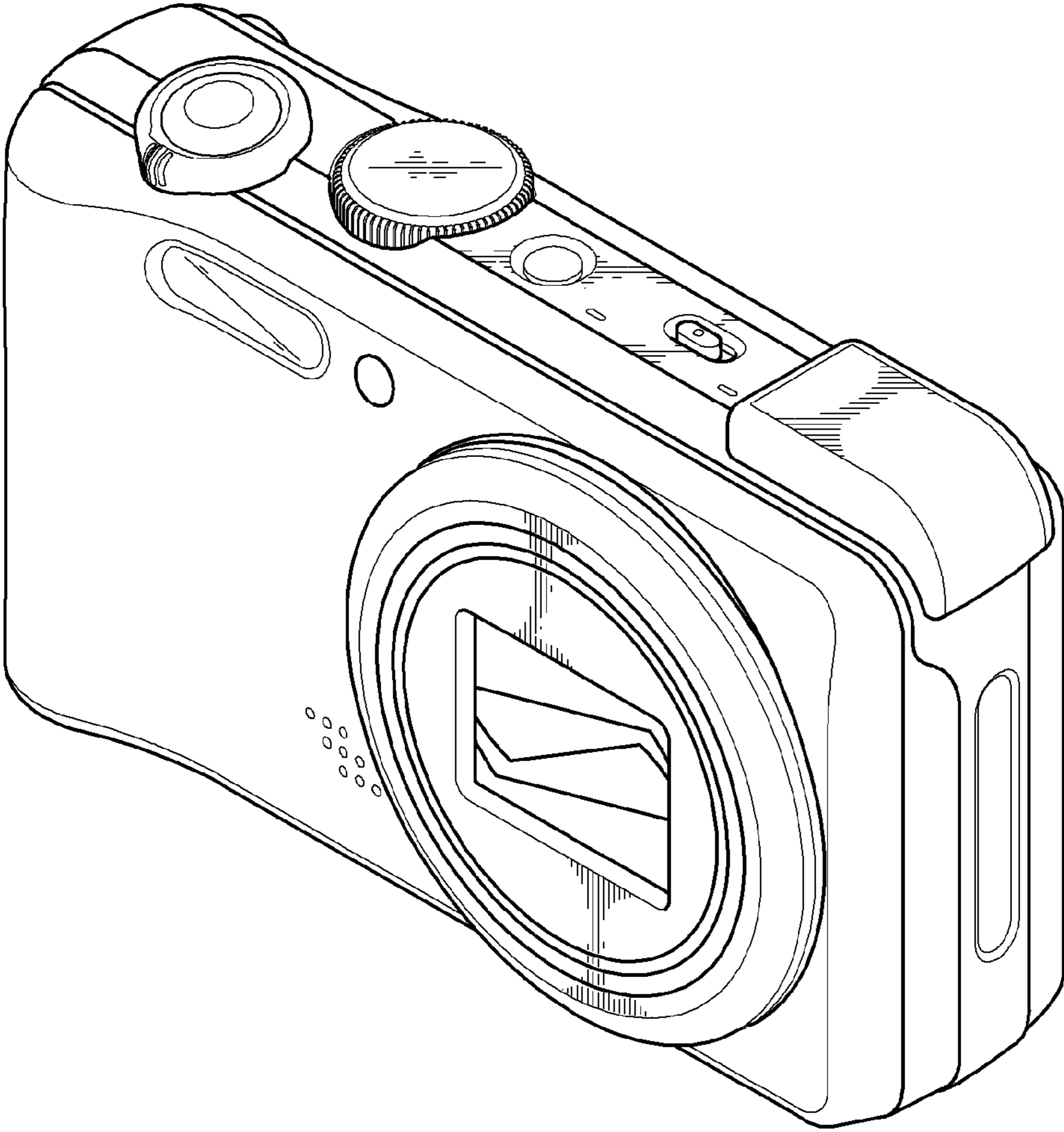


FIG. 2

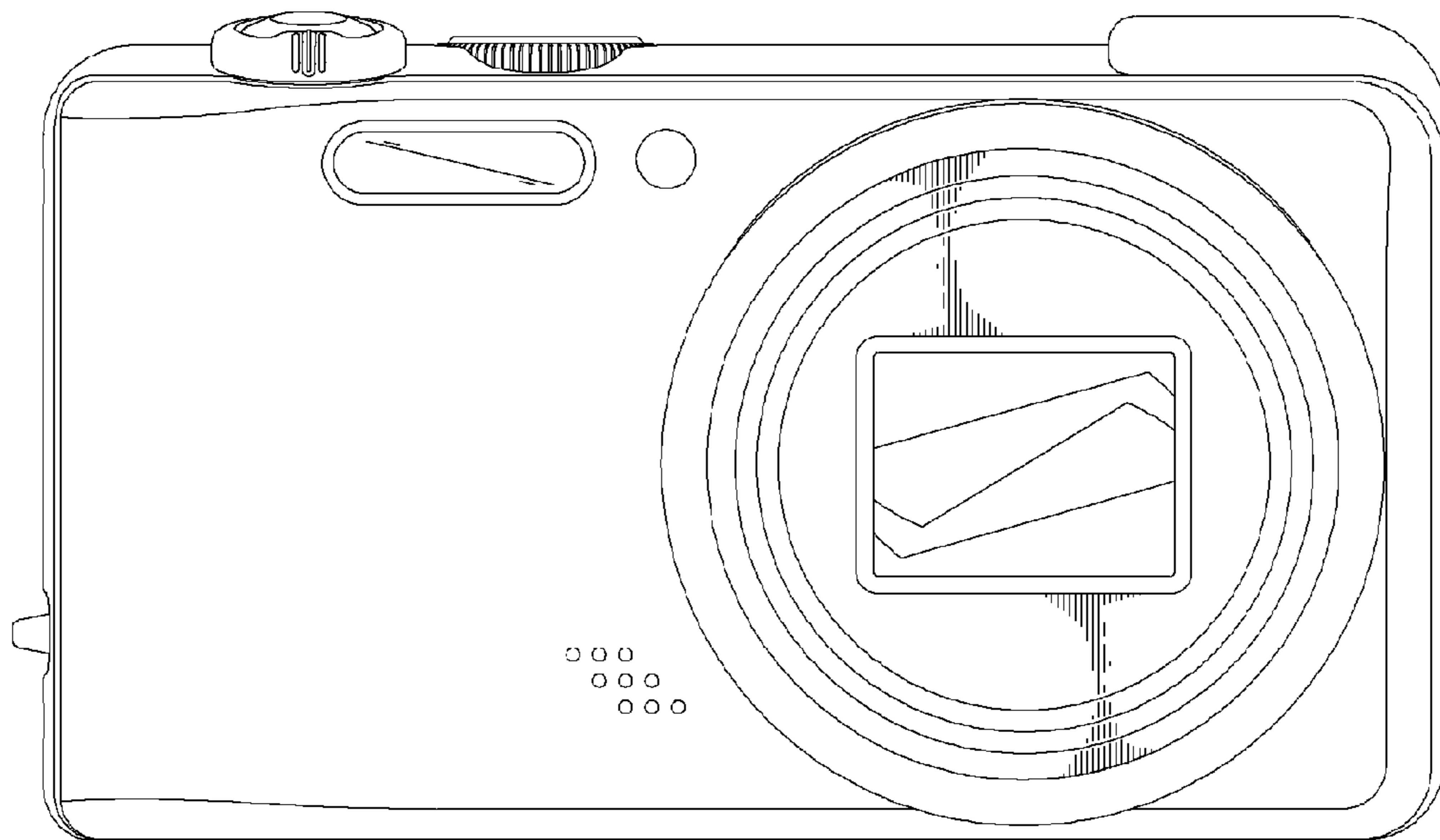


FIG. 3

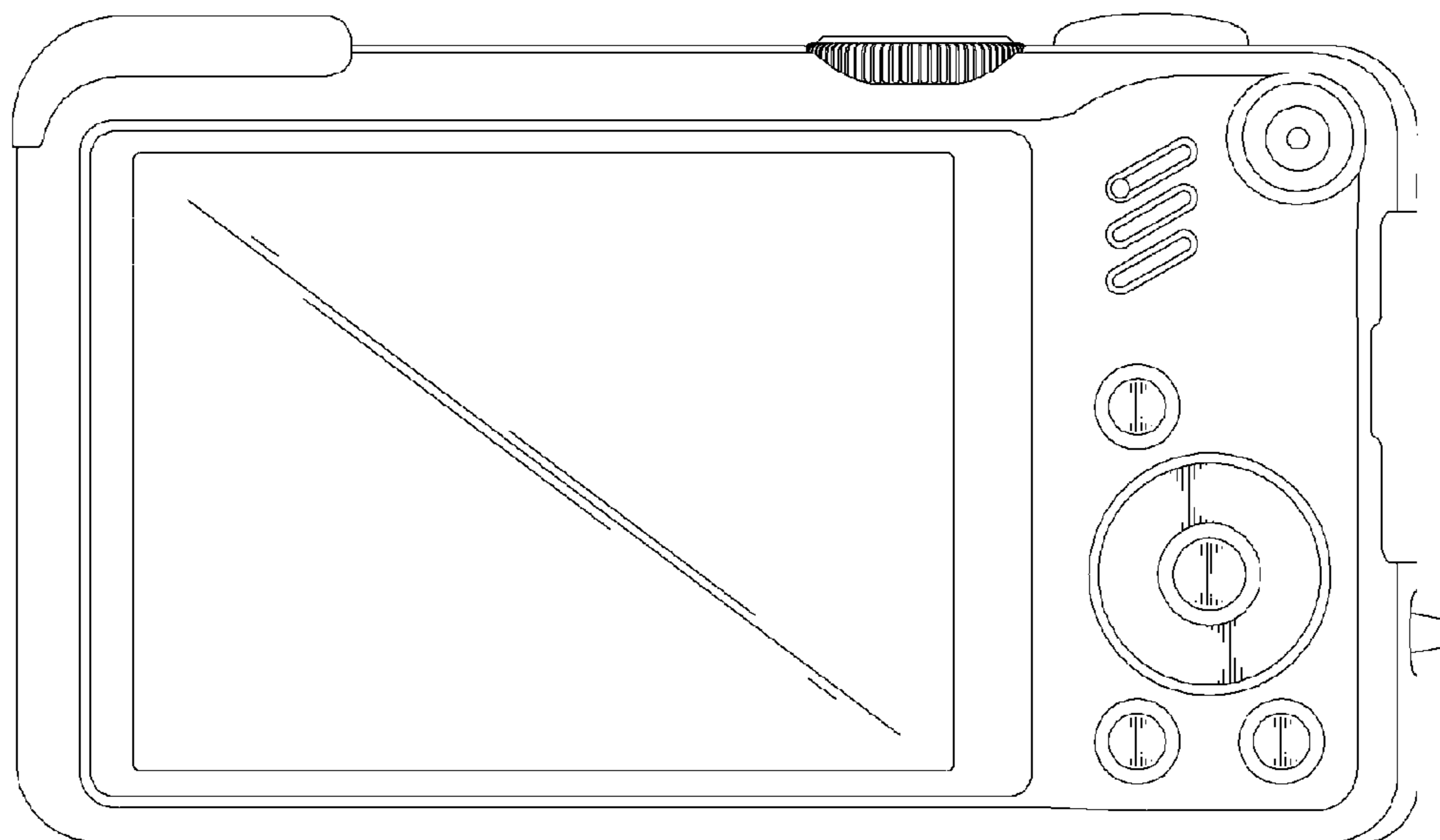


FIG. 4

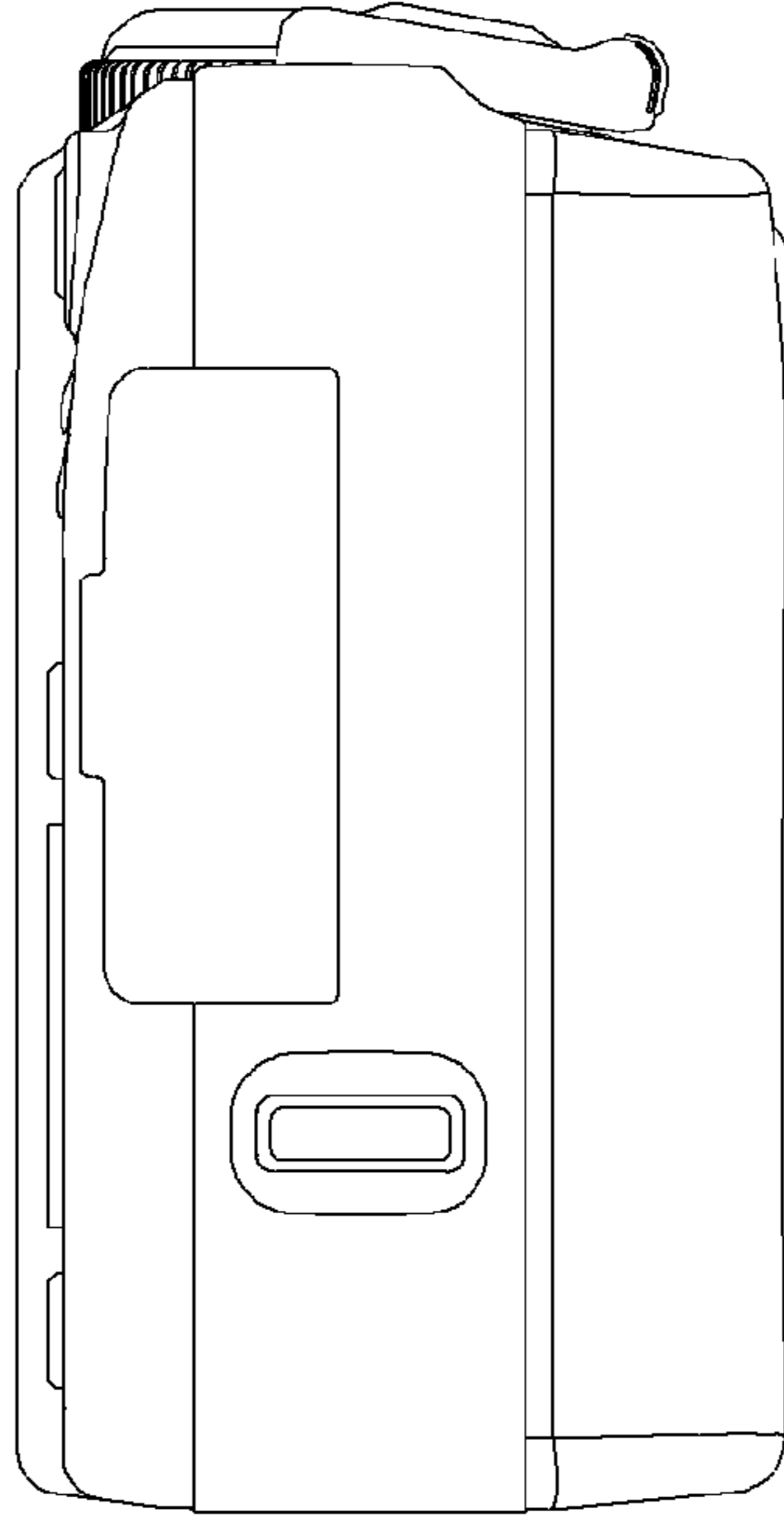


FIG. 5

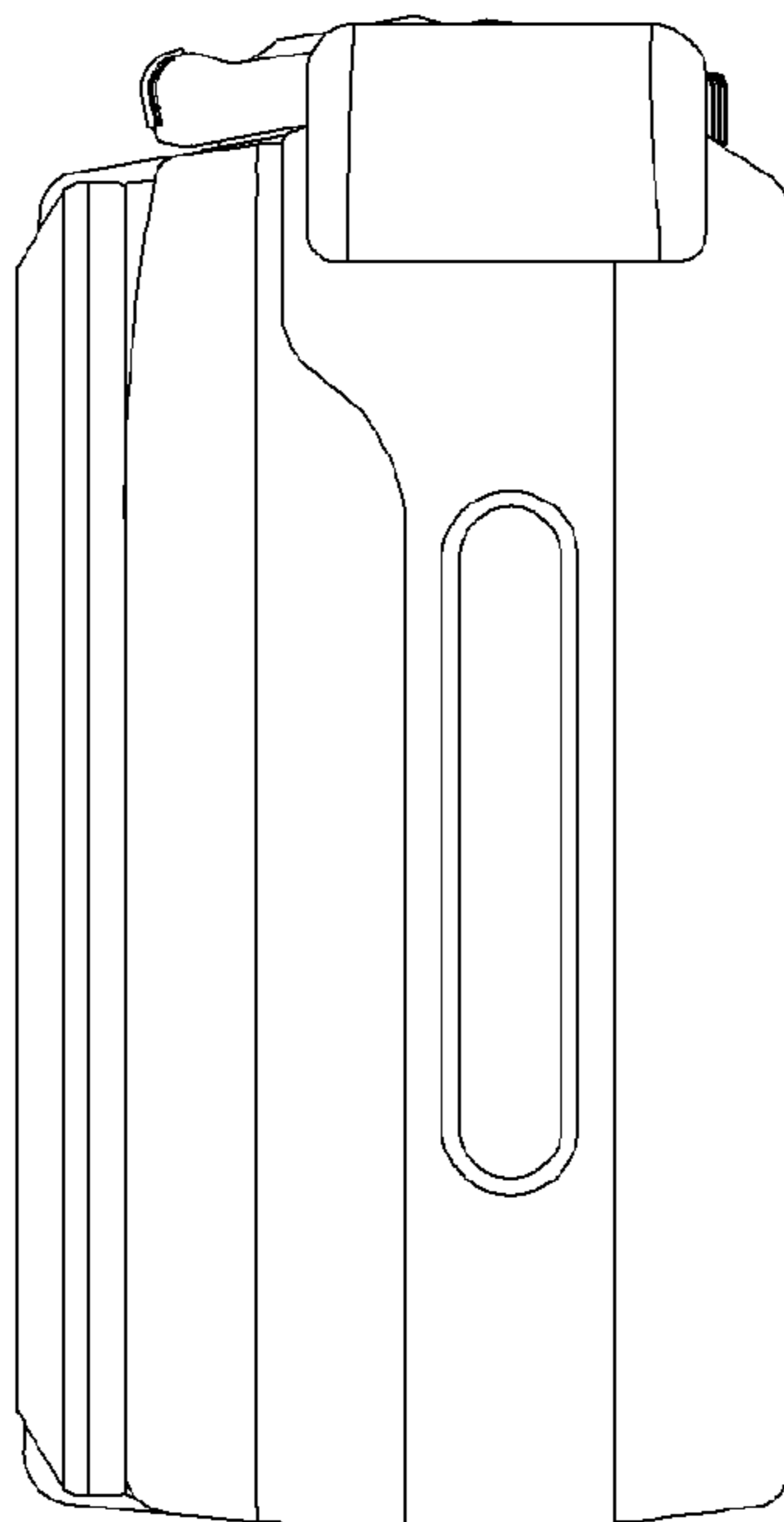


FIG. 6

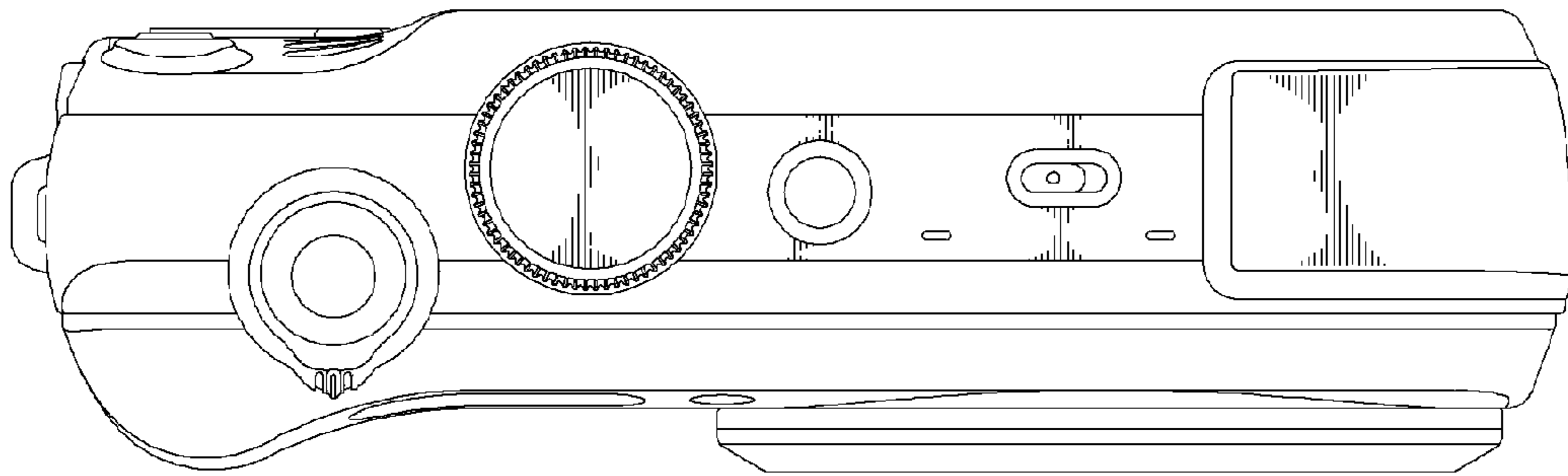


FIG. 7

