



US00D635603S

(12) **United States Design Patent**  
**Paz Rodriguez**

(10) **Patent No.:** **US D635,603 S**

(45) **Date of Patent:** **\*\* Apr. 5, 2011**

(54) **ROBOT**

(75) Inventor: **Francisco Javier Paz Rodriguez,**  
Madrid (ES)

(73) Assignee: **Thecorpora, S.L.,** Madrid (ES)

(\*\*) Term: **14 Years**

(21) Appl. No.: **29/337,928**

(22) Filed: **Jun. 2, 2009**

(30) **Foreign Application Priority Data**

Dec. 11, 2008 (EP) ..... 0010544560001

(51) **LOC (9) Cl.** ..... **15-99**

(52) **U.S. Cl.** ..... **D15/199**

(58) **Field of Classification Search** ..... D6/396,  
D6/397; D15/199; D20/21, 31, 99; D21/578-583,  
D21/593, 594, 621, 622; D25/16; 180/8.6;  
318/568.12, 568.2; 364/424.02; 446/268-274,  
446/279, 280, 285, 289-292, 294, 297-303,  
446/353-355, 376-384

See application file for complete search history.

(56) **References Cited**

**U.S. PATENT DOCUMENTS**

D258,900 S \* 4/1981 Lanusse ..... D21/578  
D293,344 S \* 12/1987 Shiraiishi ..... D21/578  
4,717,364 A \* 1/1988 Furukawa ..... 446/175

D353,323 S \* 12/1994 Meng ..... D9/620  
D450,788 S 11/2001 Kawasaki  
D550,910 S \* 9/2007 Shin ..... D32/21  
D572,239 S \* 7/2008 Hoehn et al. .... D14/218  
D579,035 S \* 10/2008 Kim et al. .... D15/199  
D582,110 S \* 12/2008 Baek ..... D32/21  
D600,866 S \* 9/2009 Shin et al. .... D32/24  
D602,659 S \* 10/2009 Warburton ..... D32/21

\* cited by examiner

*Primary Examiner* — Patricia Palasik

(74) *Attorney, Agent, or Firm* — Lucas & Mercanti, LLP

(57) **CLAIM**

The ornamental design for a robot, as shown and described.

**DESCRIPTION**

FIG. 1 is a front perspective view of a robot showing my new design;

FIG. 2 is a rear perspective view thereof;

FIG. 3 is a front view thereof;

FIG. 4 is a rear view thereof;

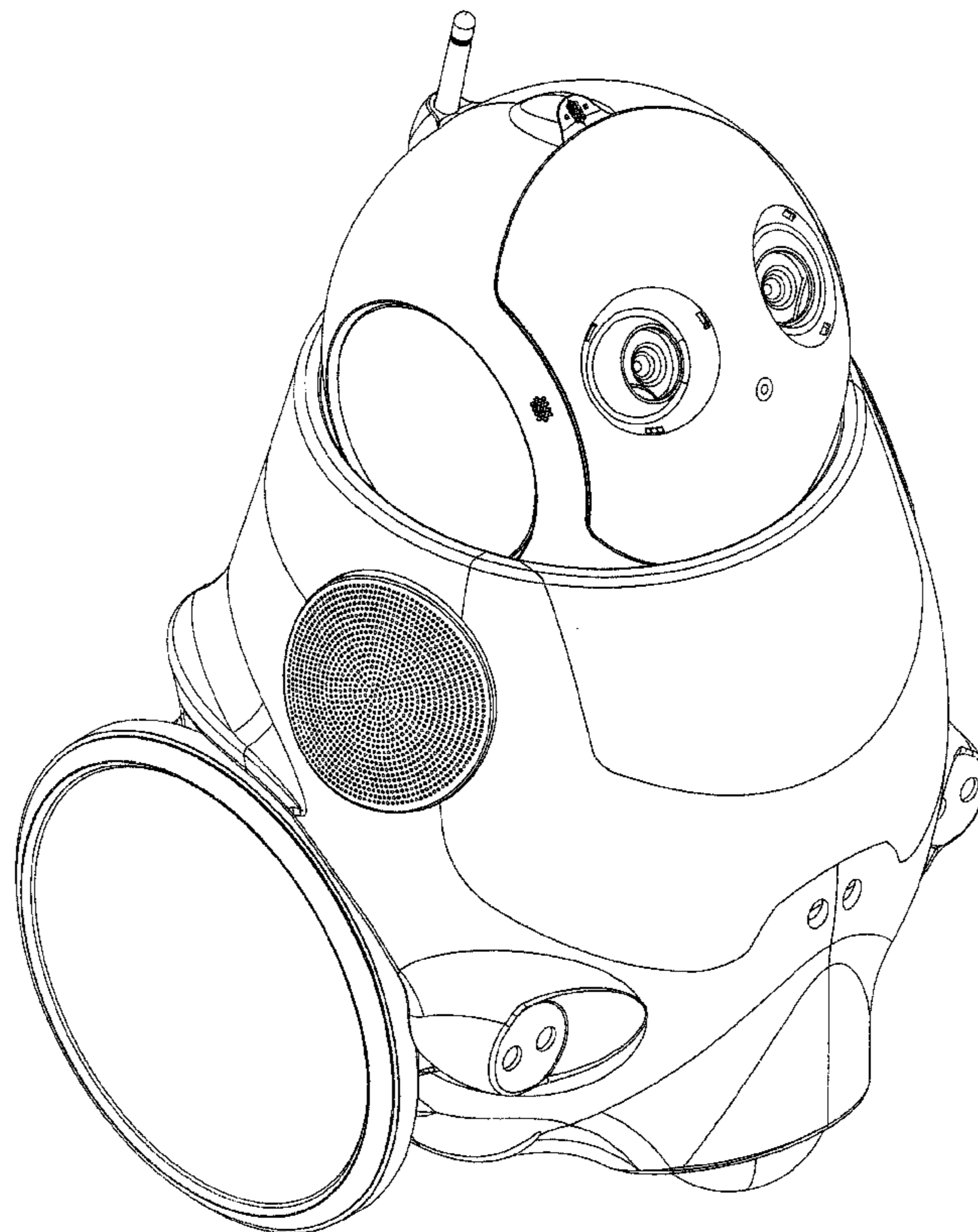
FIG. 5 is a side view thereof;

FIG. 6 is a top view thereof; and,

FIG. 7 is a bottom view thereof.

The broken lines in the drawings depict unclaimed environmental subject matter.

**1 Claim, 7 Drawing Sheets**



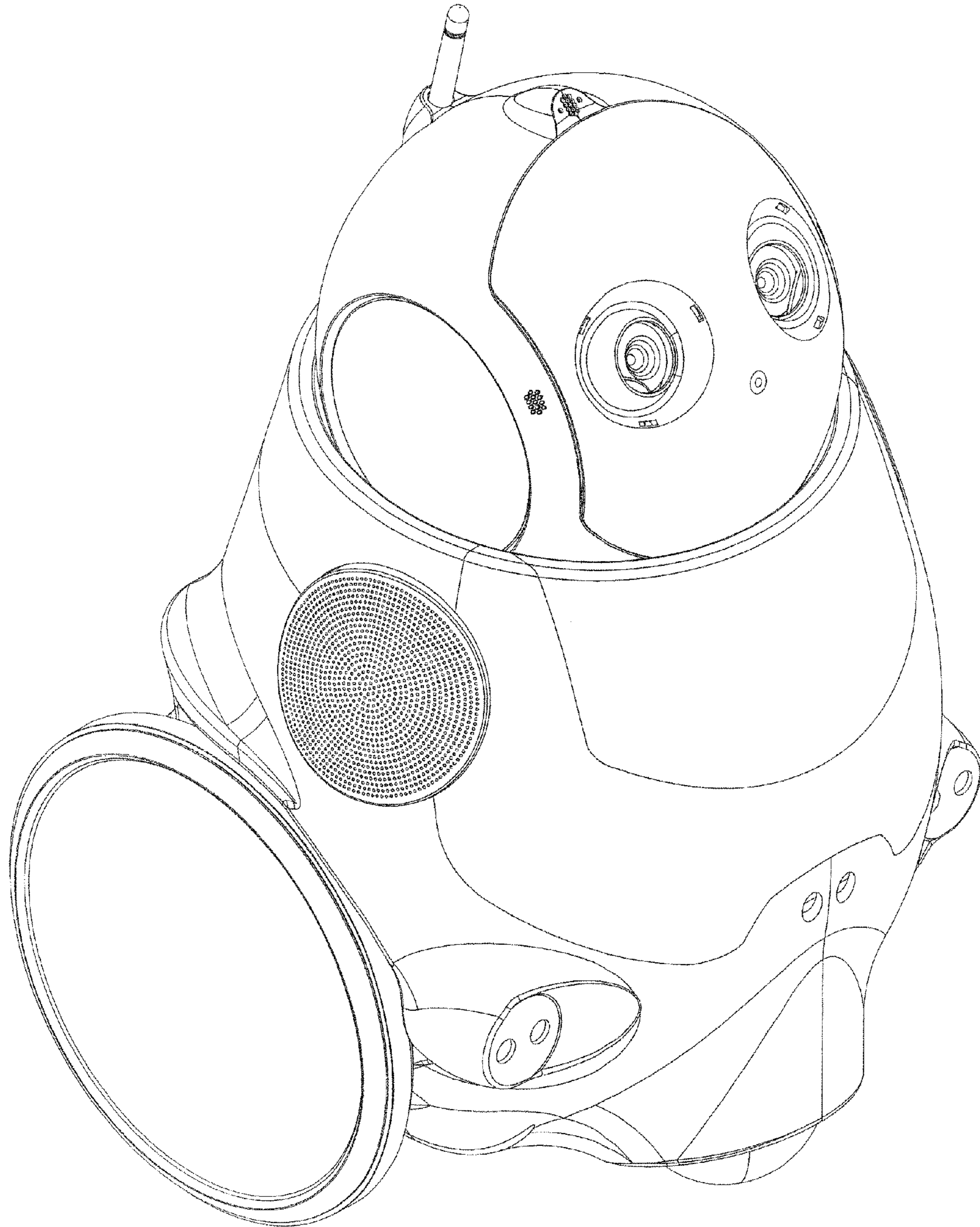


FIG. 1



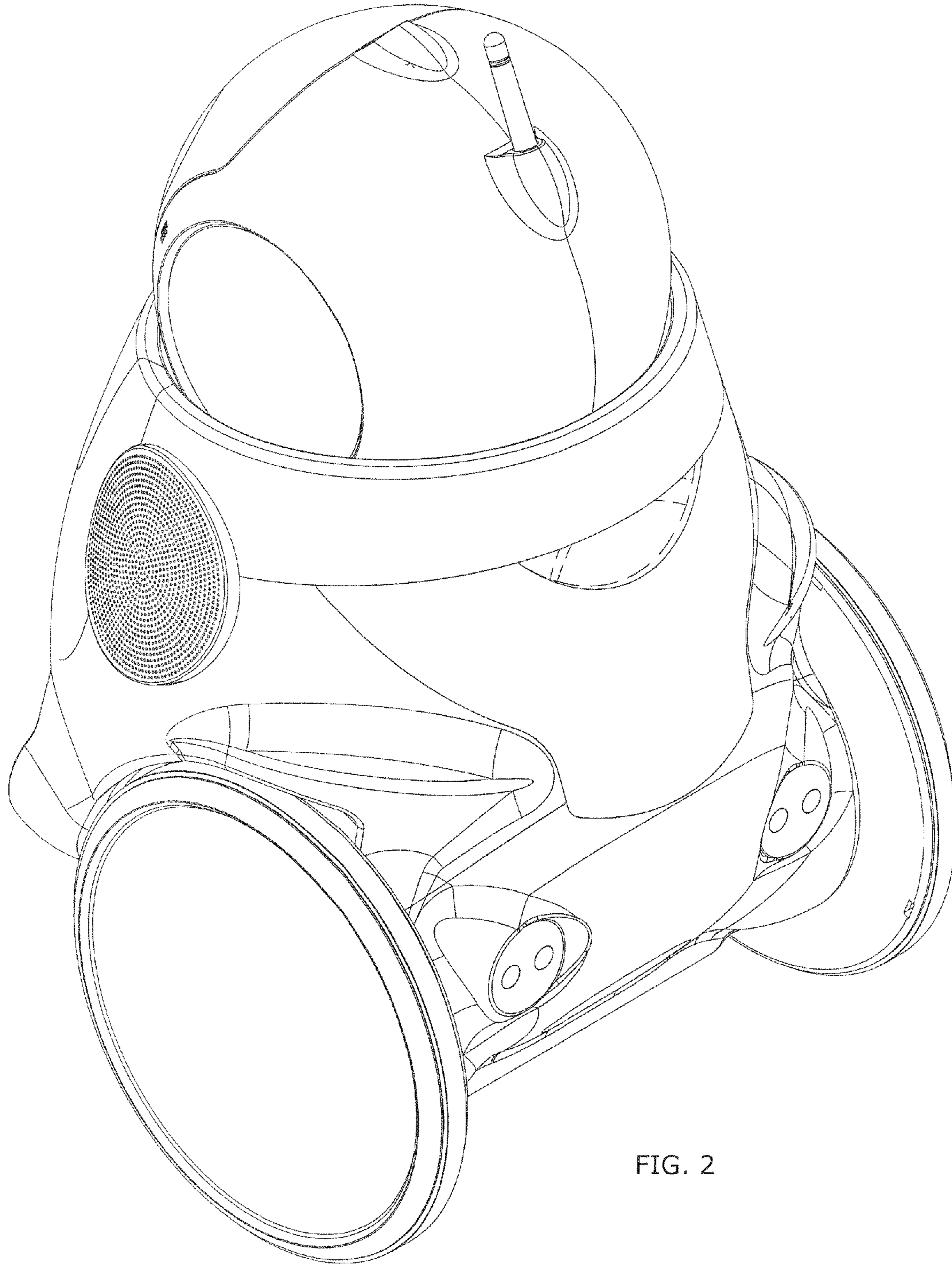


FIG. 2

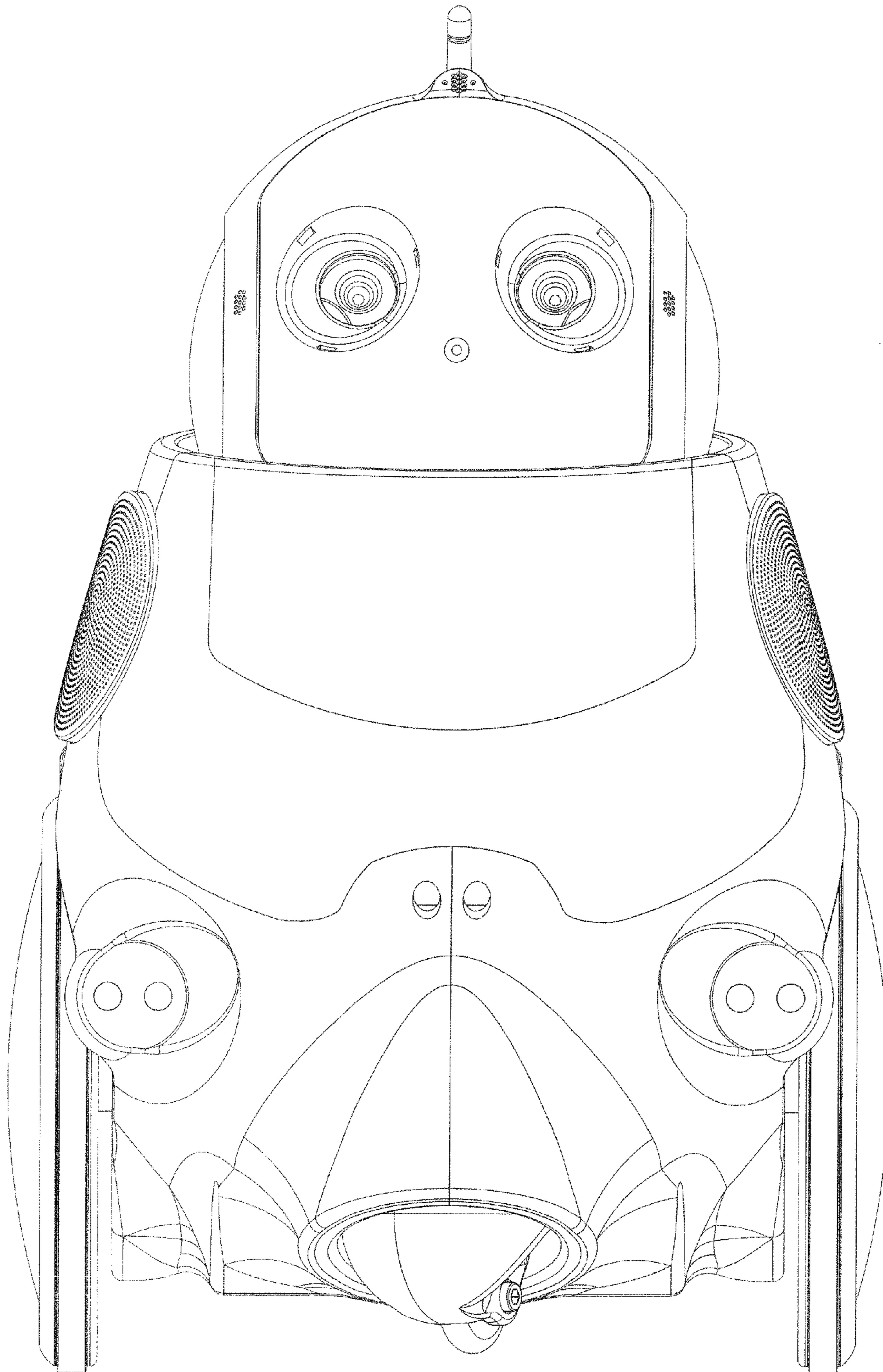


FIG. 3

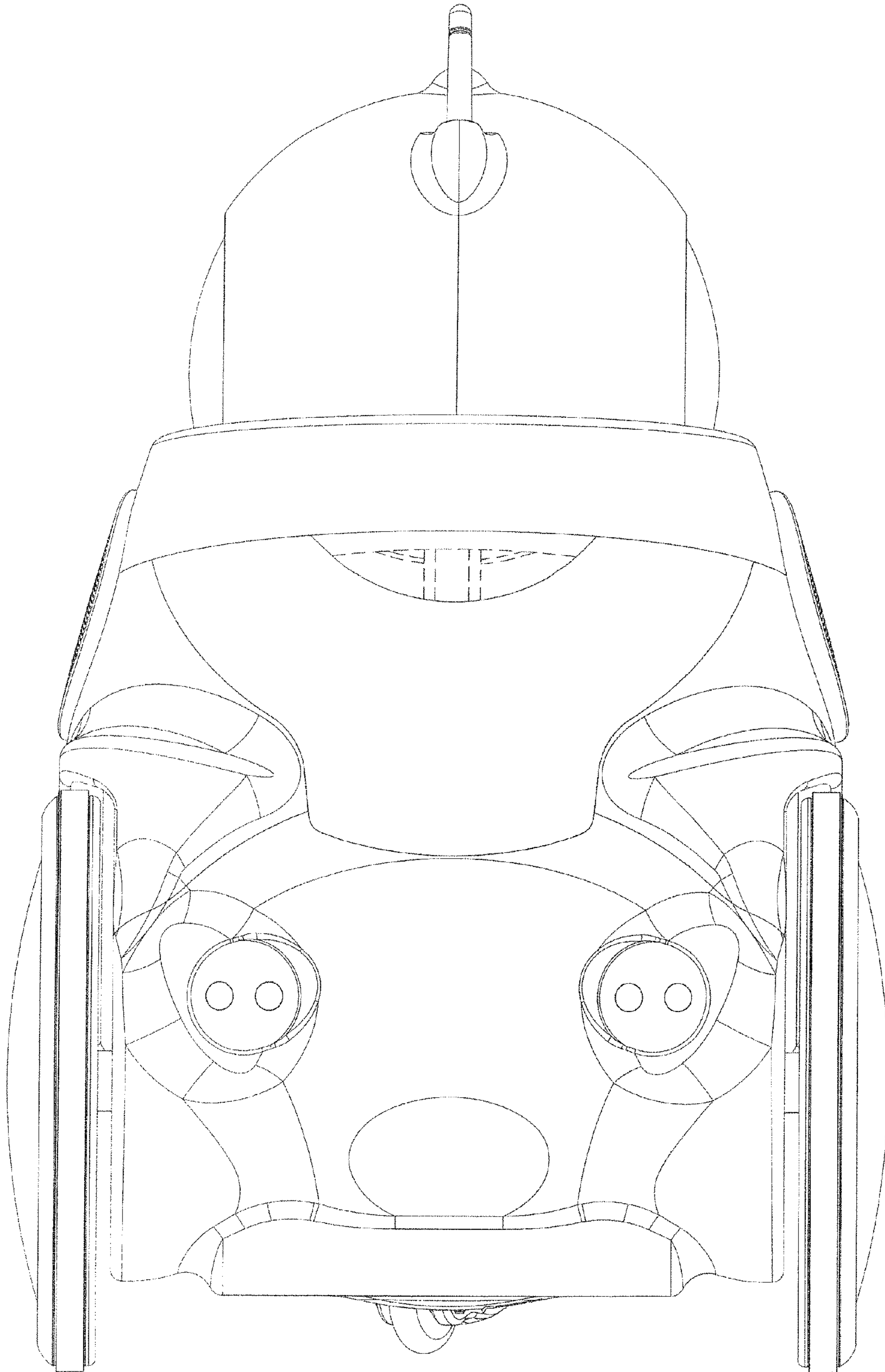


FIG. 4



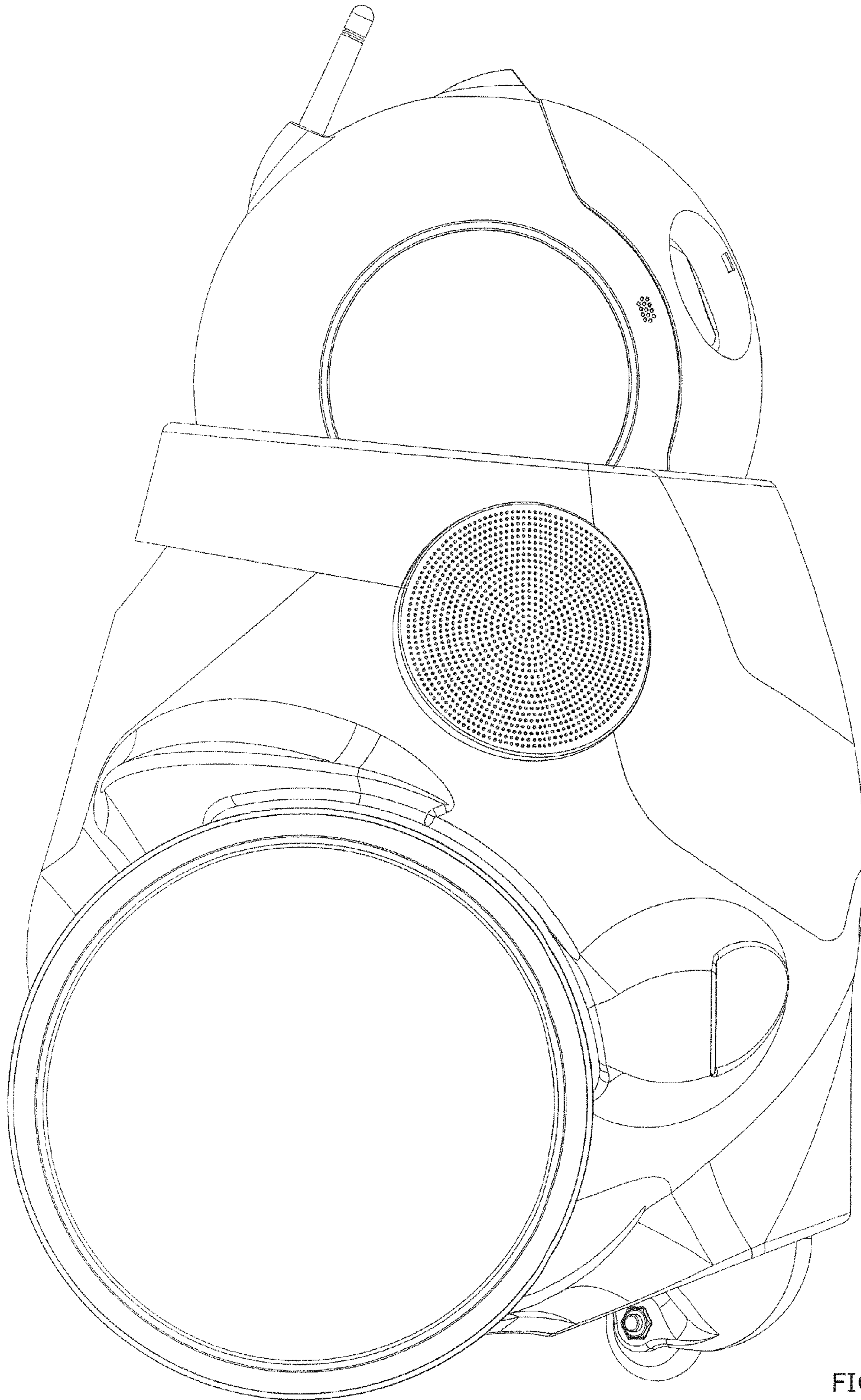


FIG. 5

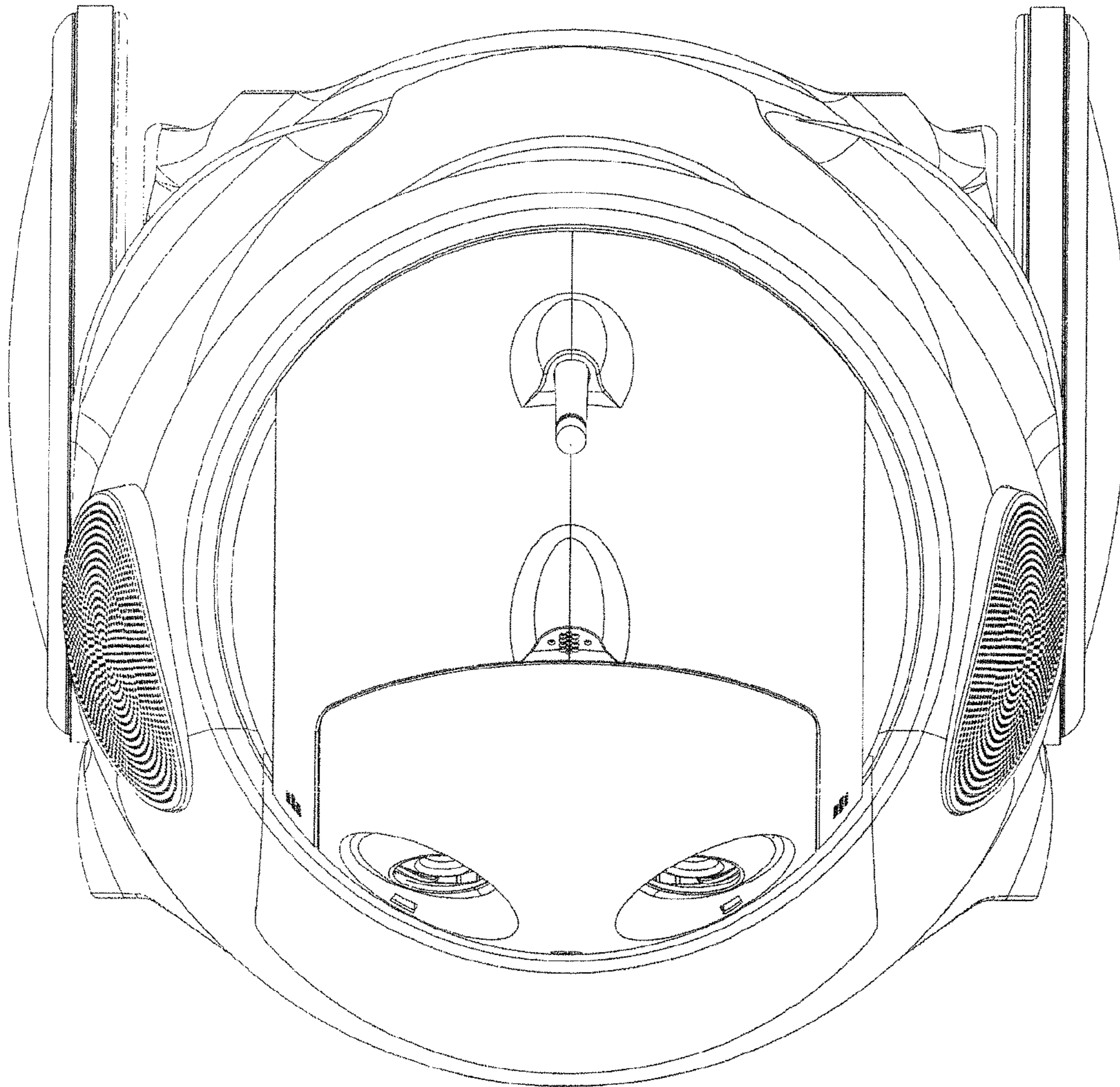


FIG. 6



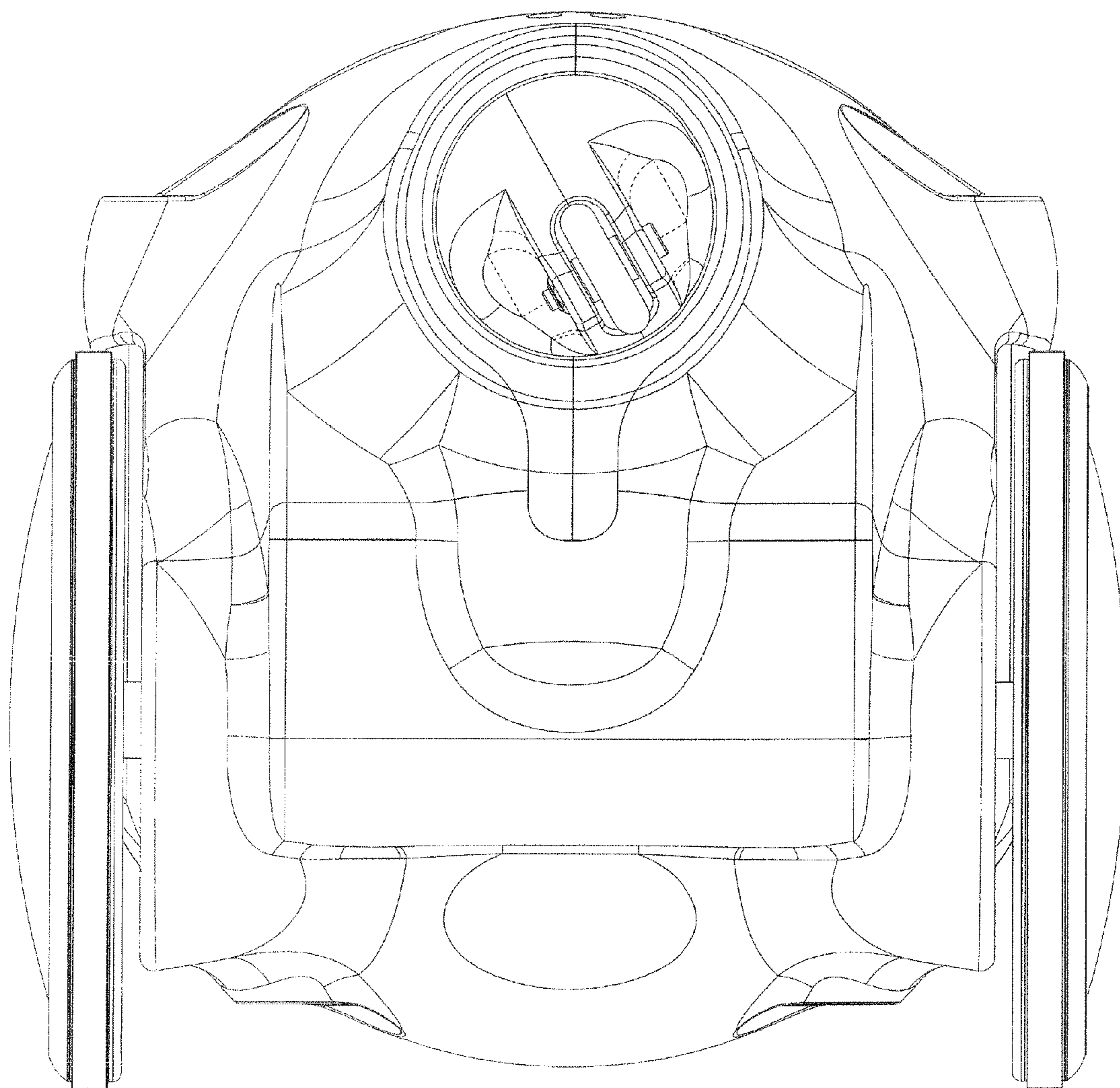


FIG. 7