



US00D635601S

(12) **United States Design Patent**
Baroncini

(10) **Patent No.:** **US D635,601 S**

(45) **Date of Patent:** **** Apr. 5, 2011**

(54) **PACKAGING MACHINE**

(75) Inventor: **Ivano Baroncini**, Castel San Pietro Terme (IT)

(73) Assignee: **Ima Safe SRL**, Ozzano Dell'Emilia (IT)

(**) Term: **14 Years**

(21) Appl. No.: **29/376,850**

(22) Filed: **Oct. 13, 2010**

(30) **Foreign Application Priority Data**

Apr. 14, 2010 (EP) 1208706-0001

(51) **LOC (9) Cl.** **15-09**

(52) **U.S. Cl.** **D15/145**

(58) **Field of Classification Search** D15/138,
D15/145, 146; 53/52, 55, 64, 77, 167, 176,
53/203, 228, 234, 239, 252, 257, 266.1, 285,
53/453, 507, 508, 558, 561, 579; 100/4,
100/8, 25, 26, 29, 32

See application file for complete search history.

(56) **References Cited**

U.S. PATENT DOCUMENTS

D300,144	S	*	3/1989	Yasumune et al.	D15/146
5,452,568	A	*	9/1995	Tisma	53/579
5,996,310	A	*	12/1999	Bailey et al.	53/228
6,035,603	A	*	3/2000	Focke et al.	53/52
7,055,296	B2	*	6/2006	Christ	53/453
D626,161	S	*	10/2010	Torre	D15/145

* cited by examiner

Primary Examiner — Patricia Palasik

(74) *Attorney, Agent, or Firm* — Mannava & Kang, P.C.

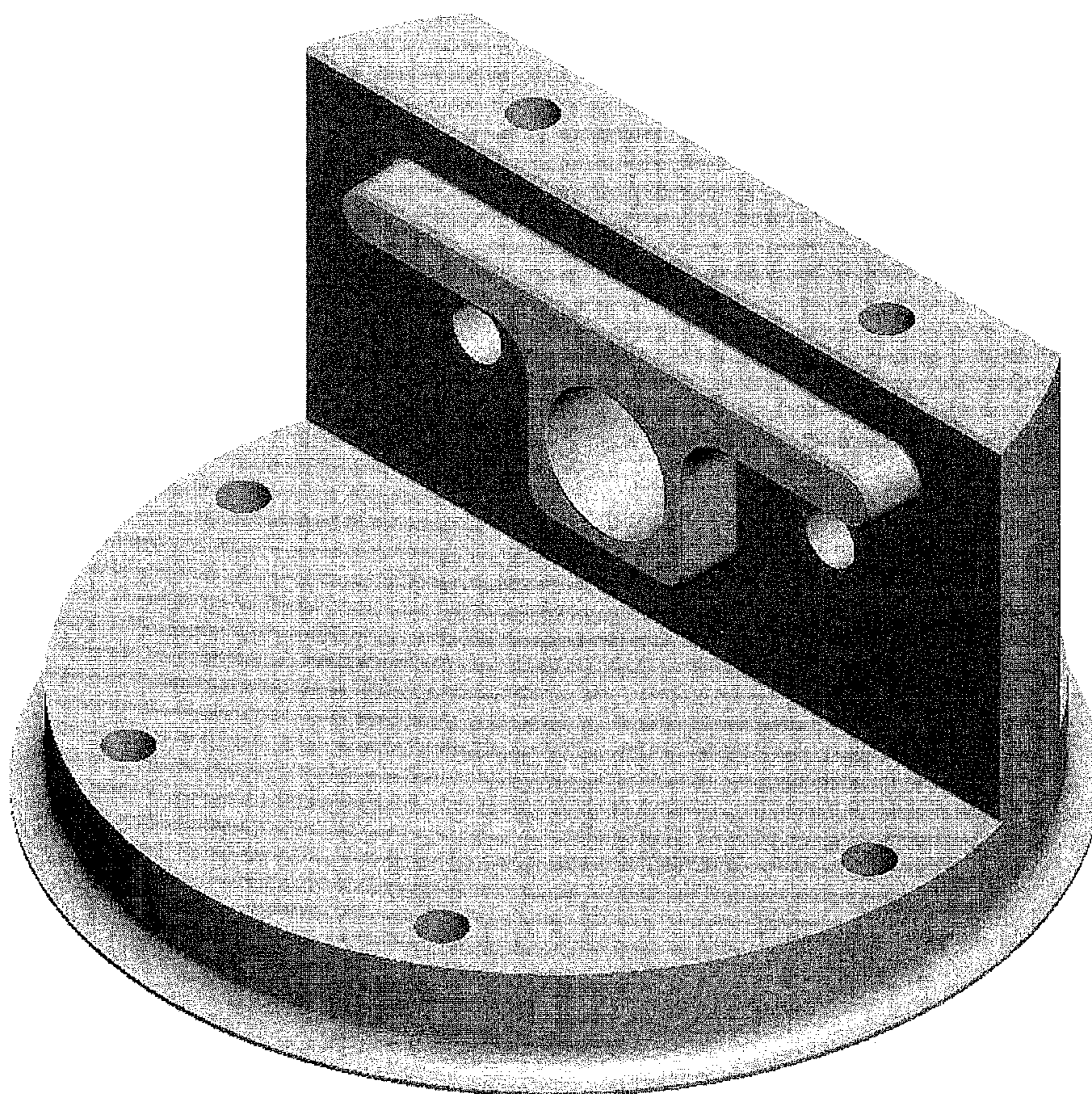
(57) **CLAIM**

The ornamental design for a packaging machine, as shown and described.

DESCRIPTION

FIG. 1 is a perspective view of a packaging machine showing my new design;
FIG. 2 is a front view thereof;
FIG. 3 is a rear view thereof;
FIG. 4 is a right side view thereof;
FIG. 5 is a left side view thereof;
FIG. 6 is a top view thereof;
FIG. 7 is a bottom view thereof; and,
FIG. 8 is a bottom perspective view thereof.

1 Claim, 8 Drawing Sheets



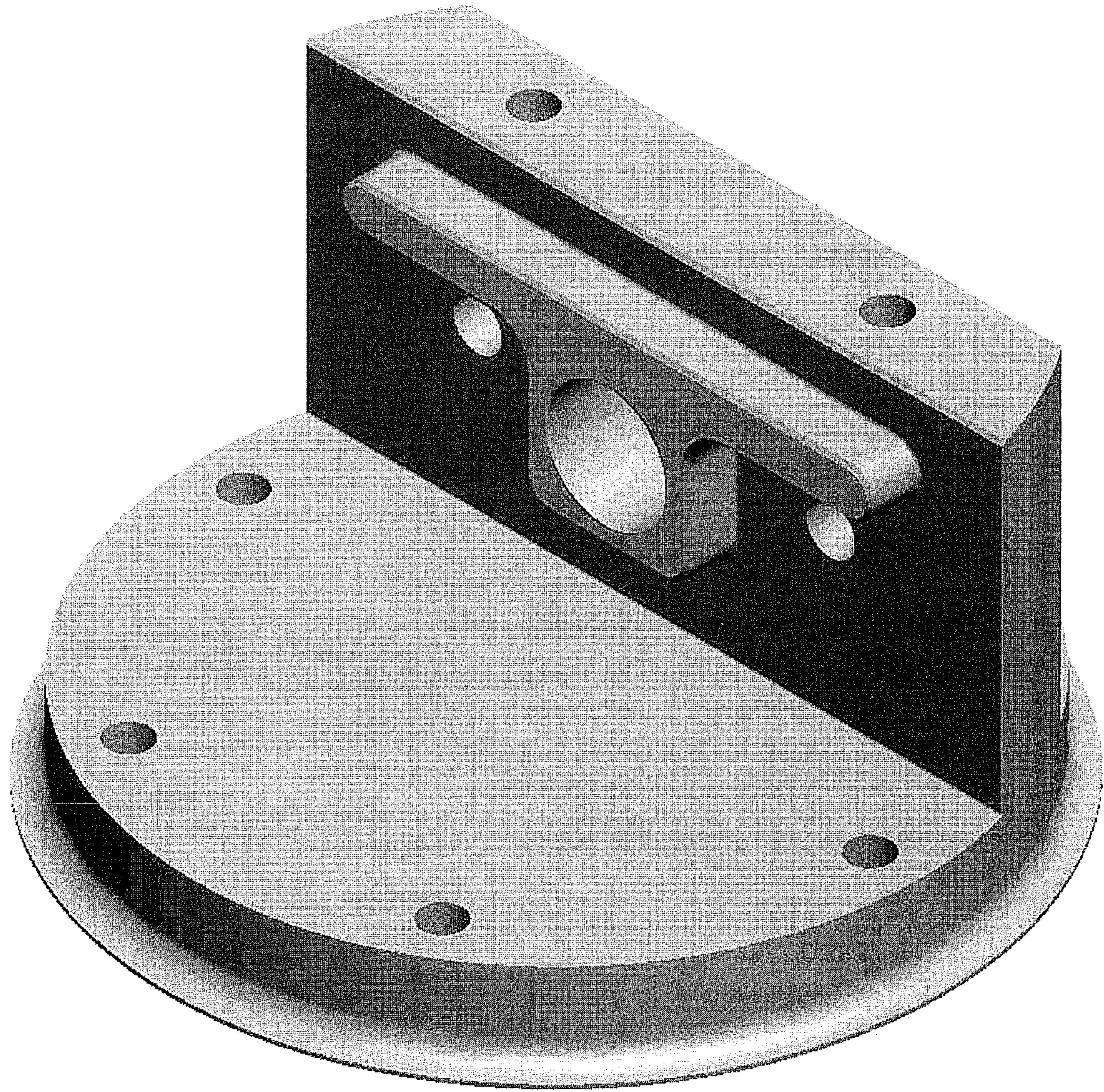


FIG. 1

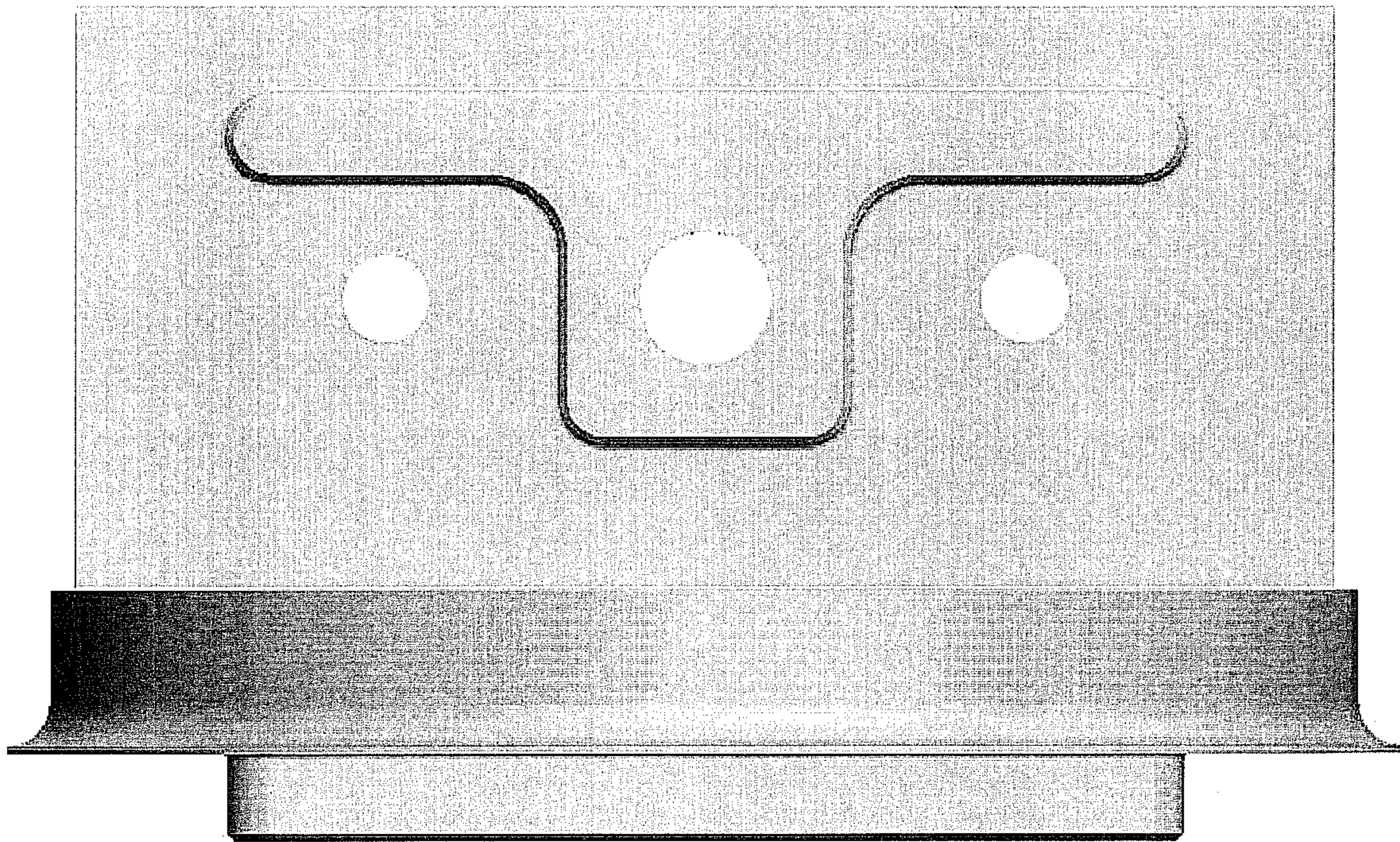


FIG. 2

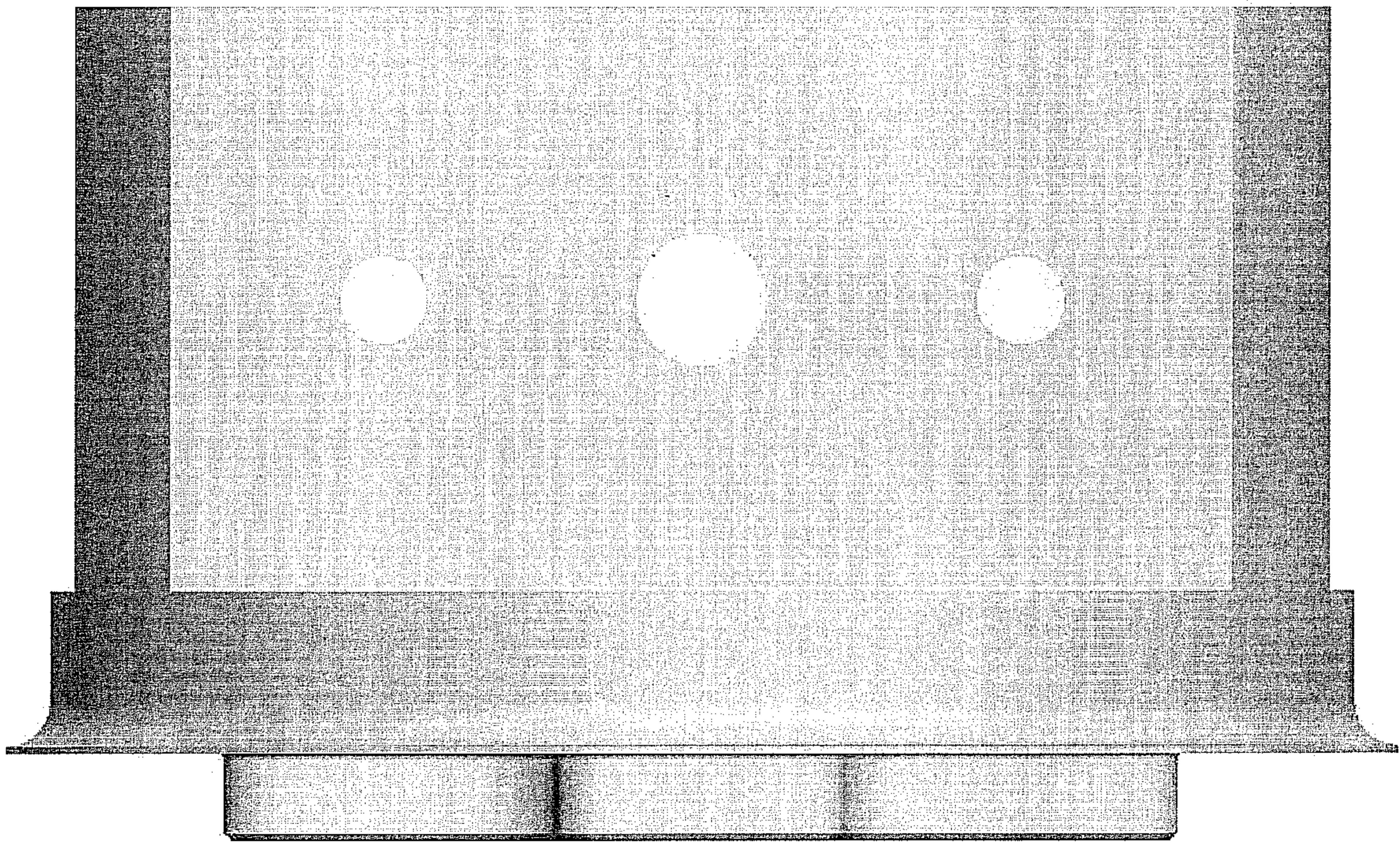


FIG. 3

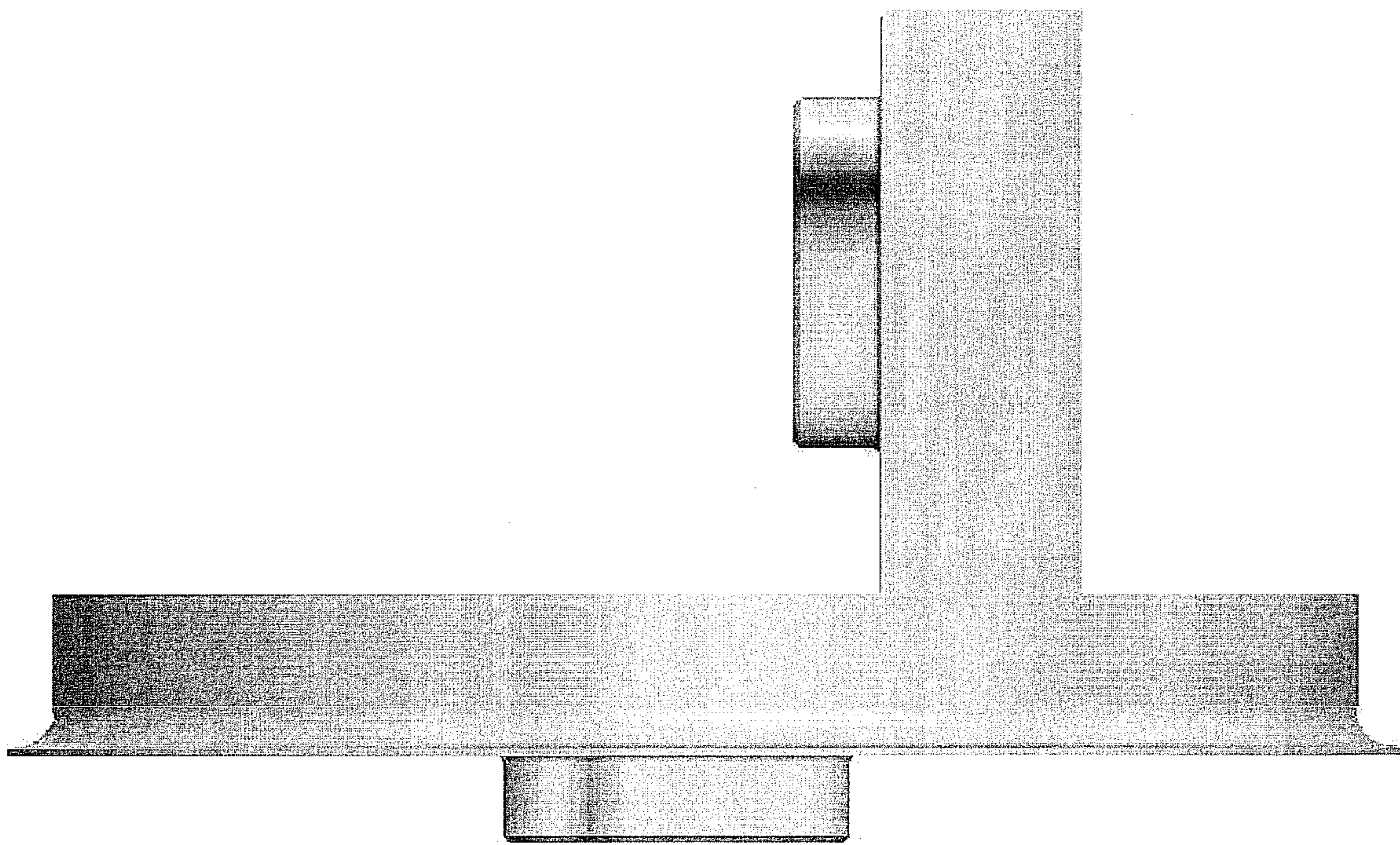


FIG. 4

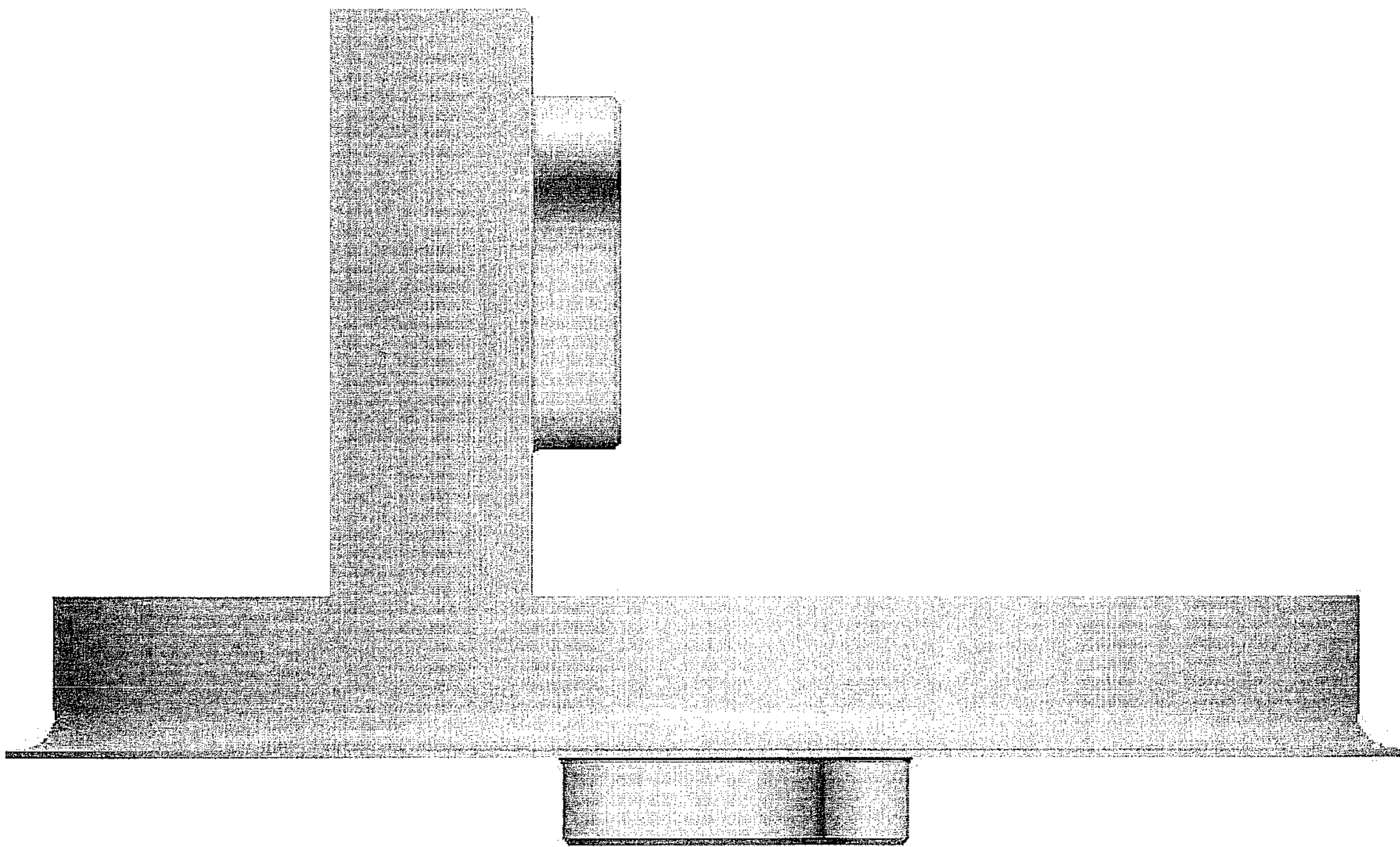


FIG. 5

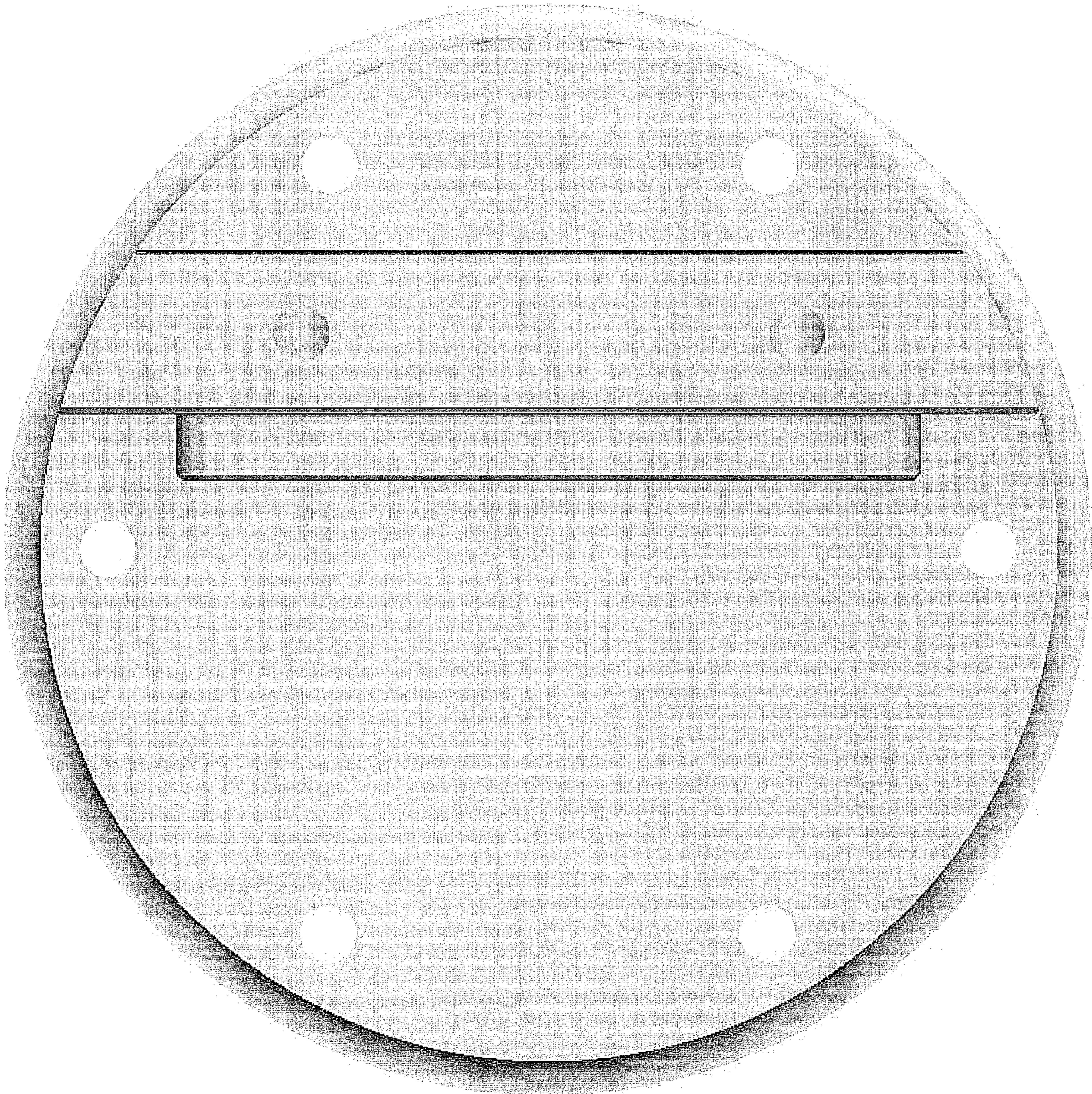


FIG. 6

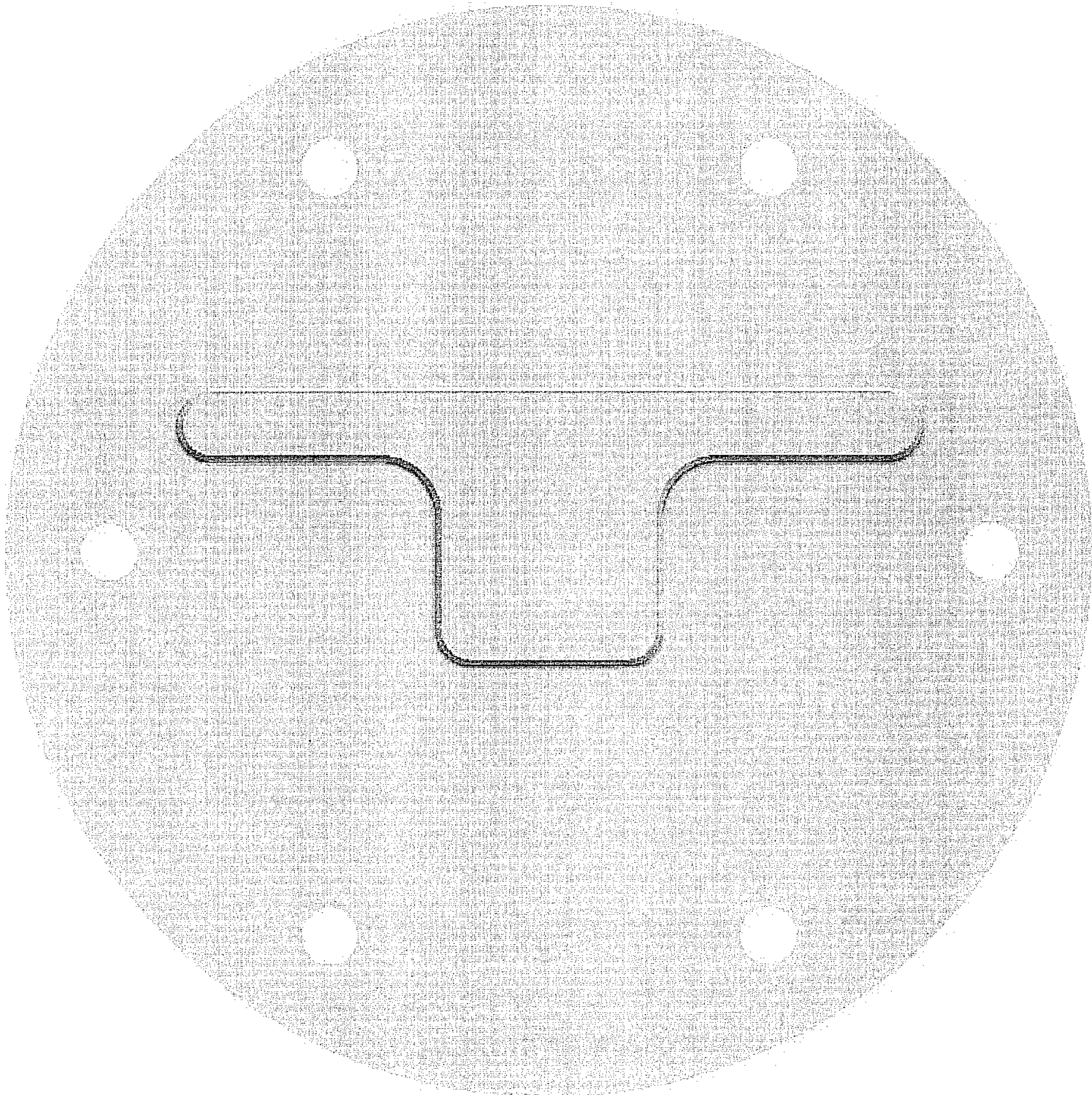


FIG. 7

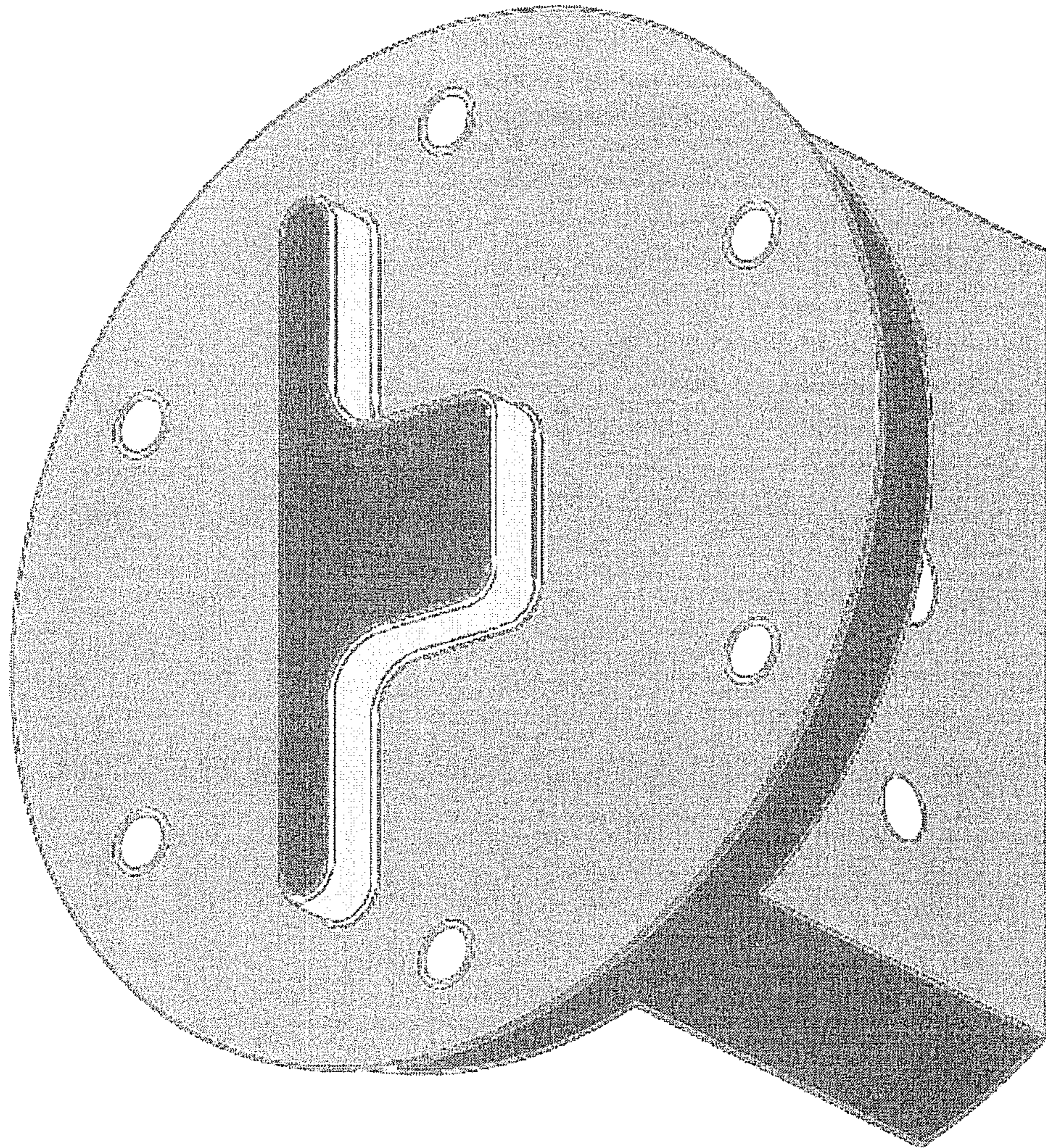


FIG. 8