



US00D635600S

(12) **United States Design Patent**
Wu

(10) **Patent No.:** **US D635,600 S**

(45) **Date of Patent:** **** Apr. 5, 2011**

(54) **ELECTRIC CYLINDER**

(75) Inventor: **Chou-Hsin Wu**, Xindian (TW)

(73) Assignee: **Timotion Technology Co., Ltd.**, Taipei Xian (TW)

(**) Term: **14 Years**

(21) Appl. No.: **29/382,240**

(22) Filed: **Dec. 30, 2010**

(51) **LOC (9) Cl.** **15-09**

(52) **U.S. Cl.** **D15/143**

(58) **Field of Classification Search** D13/158,
D13/162, 184; D15/5, 143, 199; 74/89.15,
74/411.5, 490.09; 91/275; 92/5 R, 88, 146,
92/161, 165 R; 277/DIG. 7; 310/20, 80;
355/229; 384/43, 49

See application file for complete search history.

(56) **References Cited**

U.S. PATENT DOCUMENTS

D289,401 S *	4/1987	Yew et al.	D15/5
D330,700 S *	11/1992	Wharton	D13/158
D412,918 S *	8/1999	Nagai et al.	D15/199
D467,950 S *	12/2002	Christensen et al.	D15/199
D522,090 S *	5/2006	Matsumoto et al.	D23/233
D523,880 S *	6/2006	Christensen et al.	D15/143

D589,543 S *	3/2009	Lin et al.	D15/143
D595,753 S *	7/2009	Tseng	D15/143
D621,860 S *	8/2010	Fukano et al.	D15/143
D625,745 S *	10/2010	Chiang et al.	D15/143

* cited by examiner

Primary Examiner — Patricia Palasik

(74) *Attorney, Agent, or Firm* — Chun-Ming Shih; HDLS IPR Services

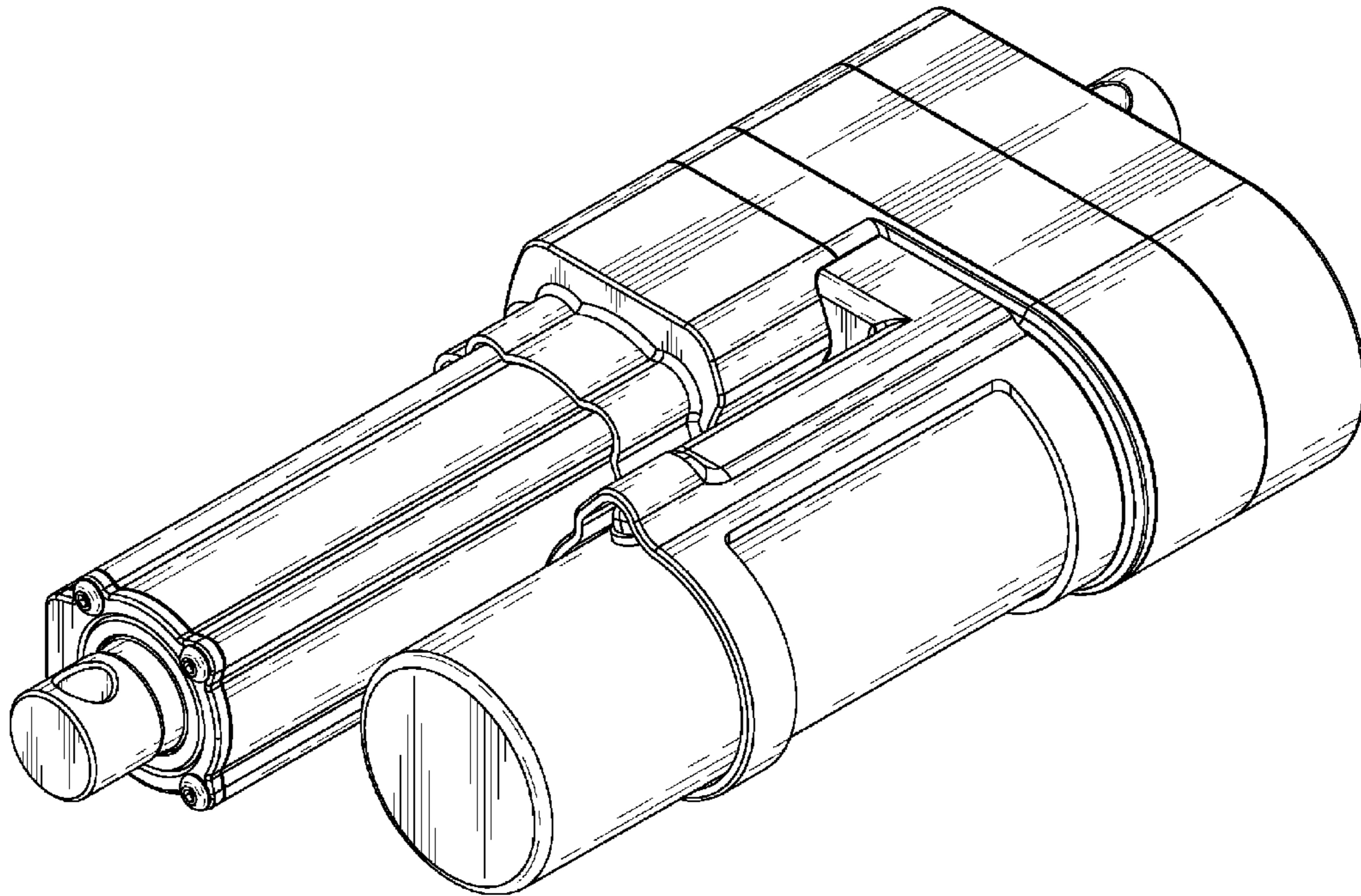
(57) **CLAIM**

The ornamental design for an electric cylinder, as shown and described.

DESCRIPTION

FIG. 1 is a top, front, perspective view of an electric cylinder showing my new design;
 FIG. 2 is a front view thereof;
 FIG. 3 is a rear view thereof;
 FIG. 4 is a left side view thereof;
 FIG. 5 is a right side view thereof;
 FIG. 6 is a top view thereof;
 FIG. 7 is a bottom view thereof.
 FIG. 8 is a top, back, perspective view showing the electric cylinder; and,
 FIG. 9 is a bottom, front, perspective view showing the electric cylinder.

1 Claim, 8 Drawing Sheets



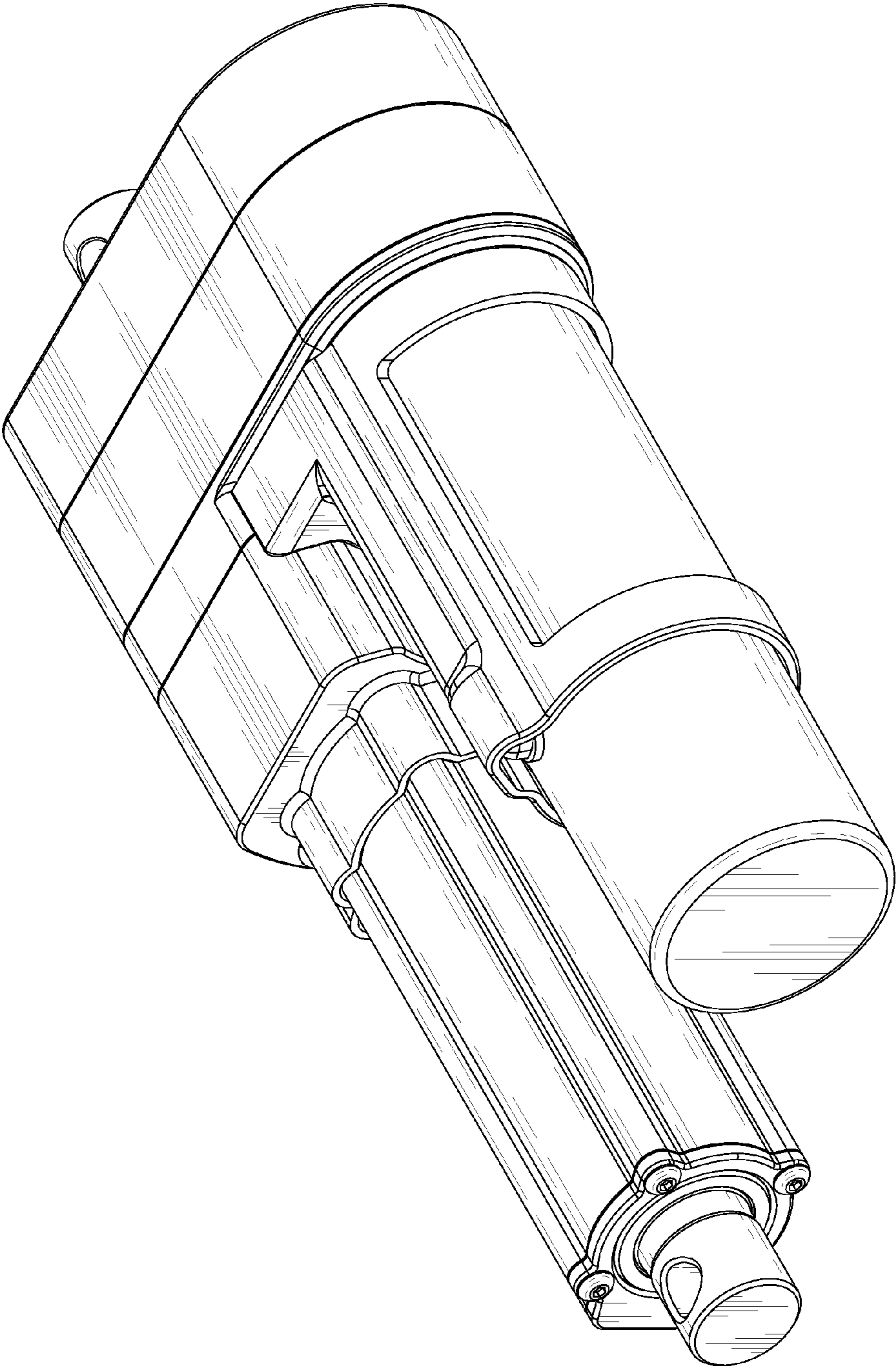


FIG. 1

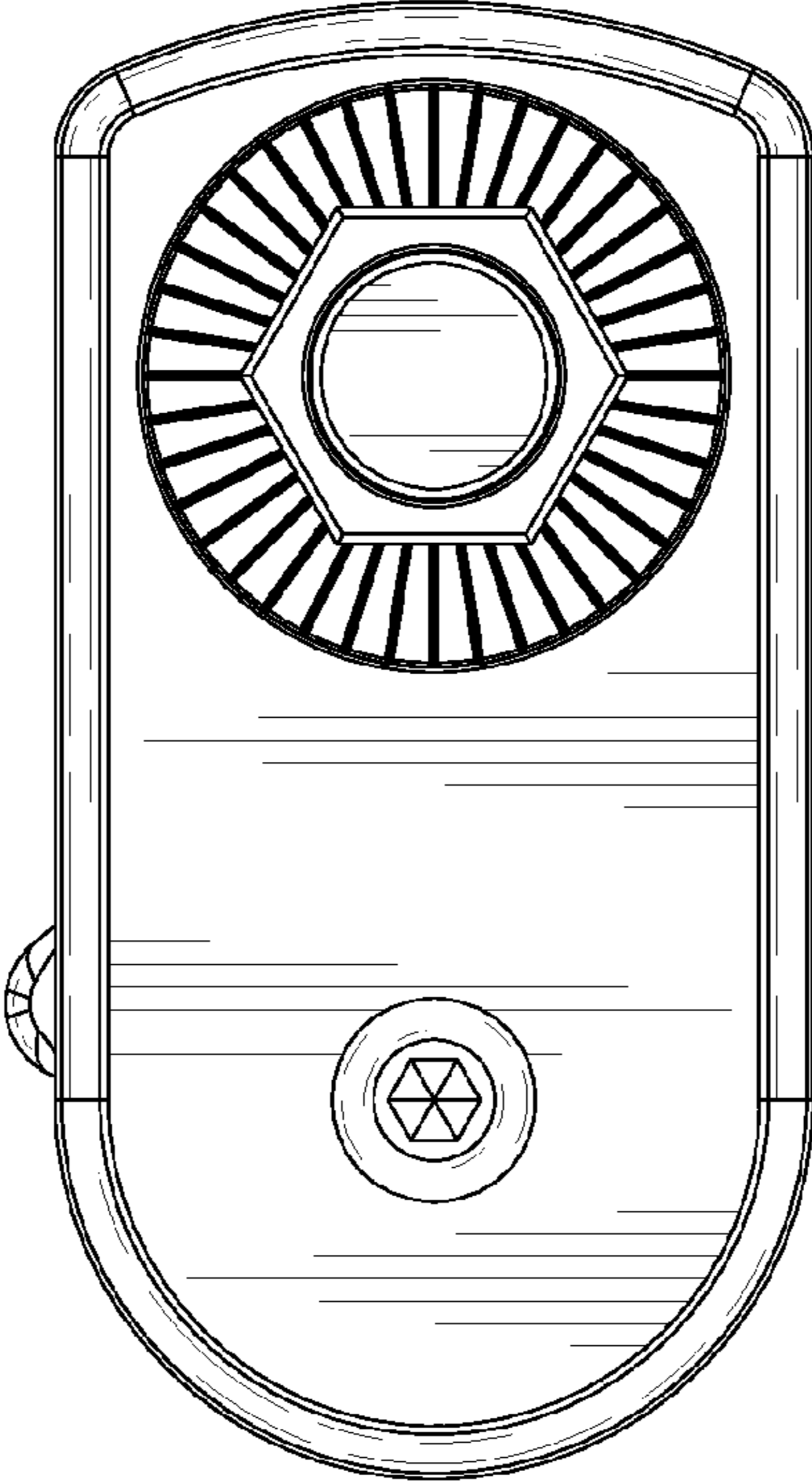


FIG.3

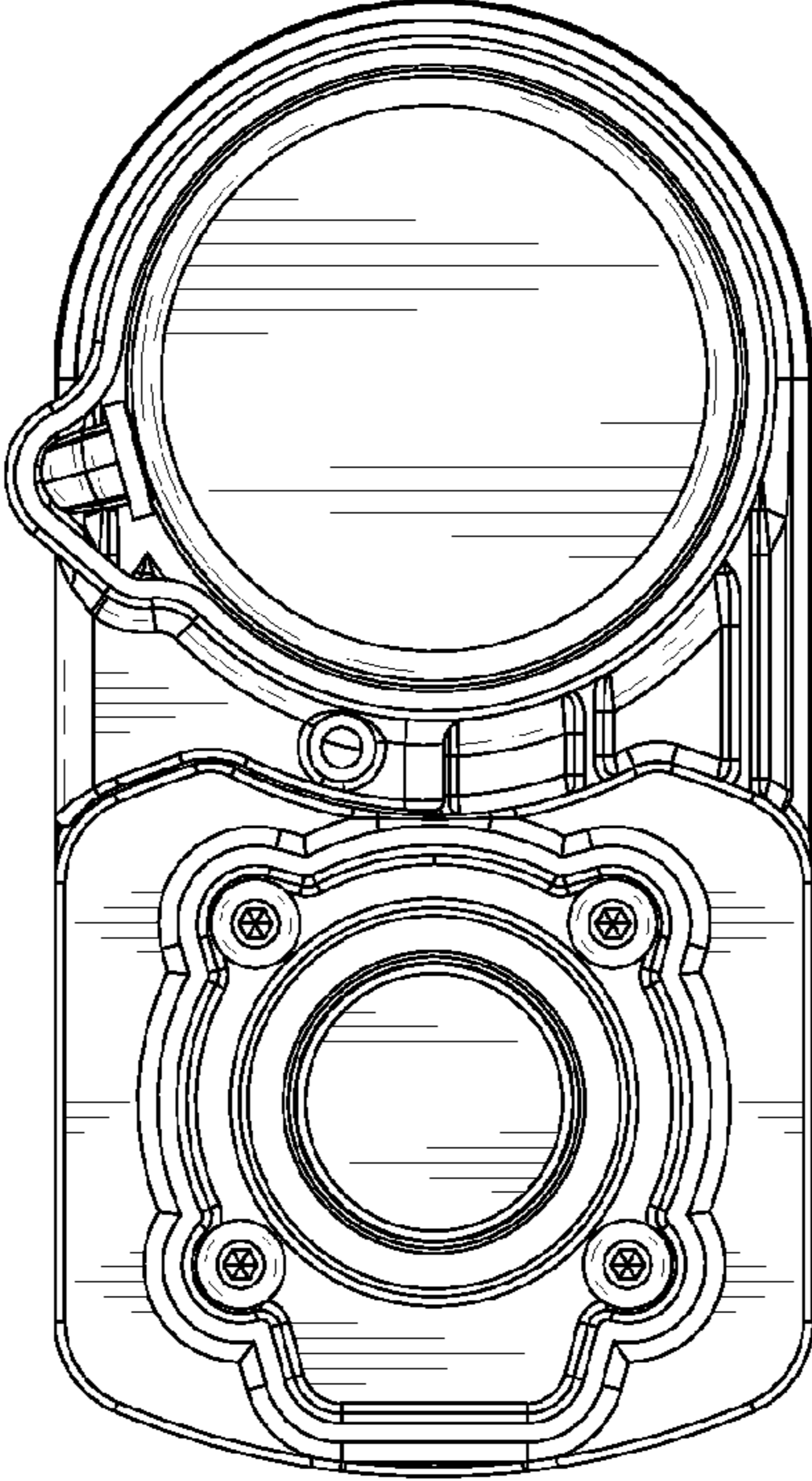


FIG.2

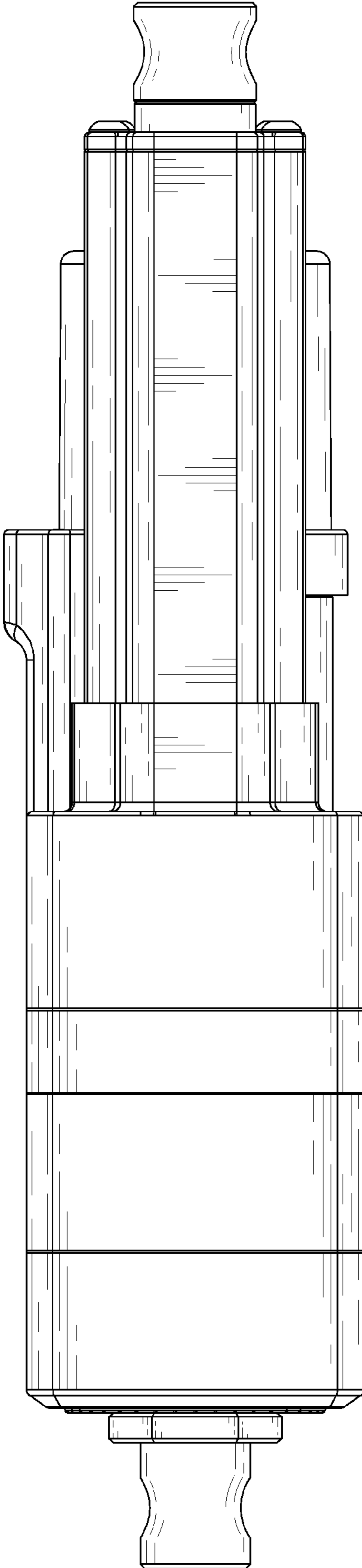


FIG.4

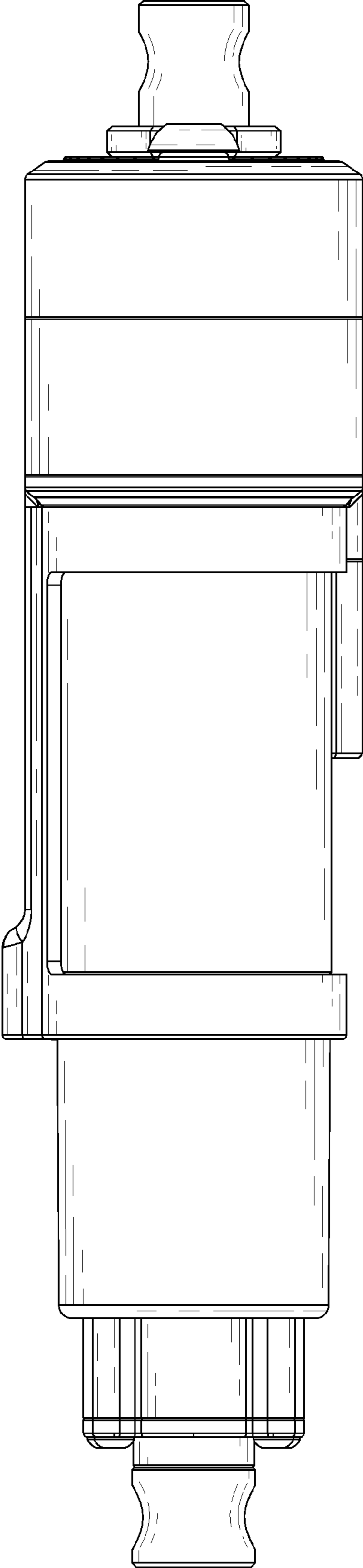


FIG.5

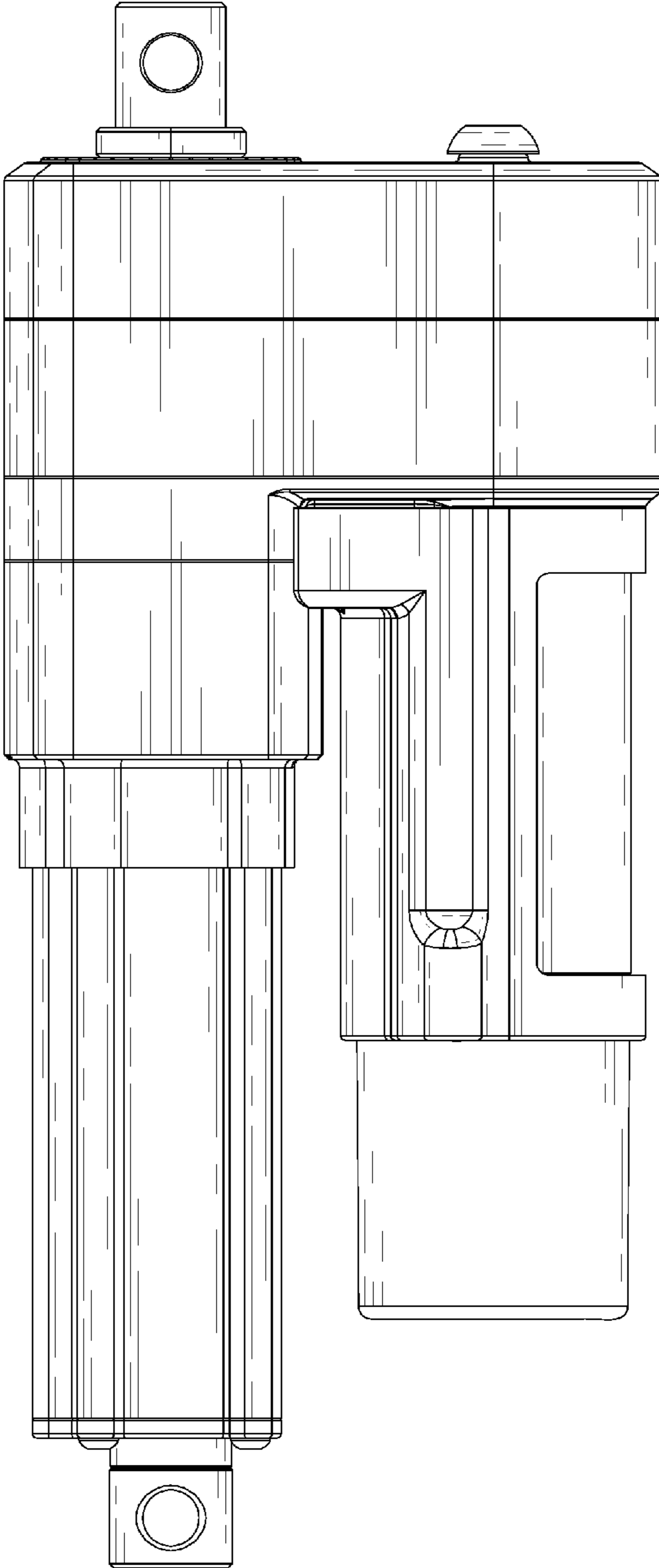


FIG.6

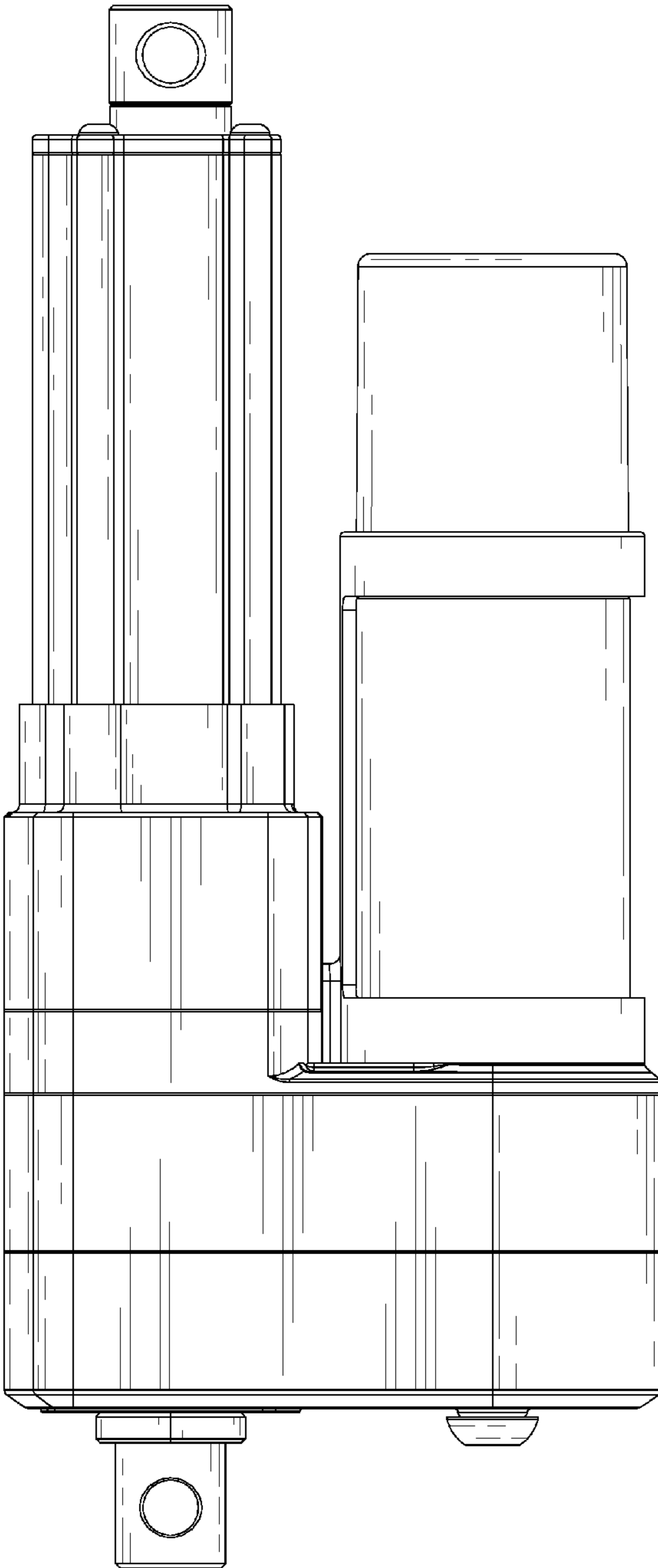


FIG.7

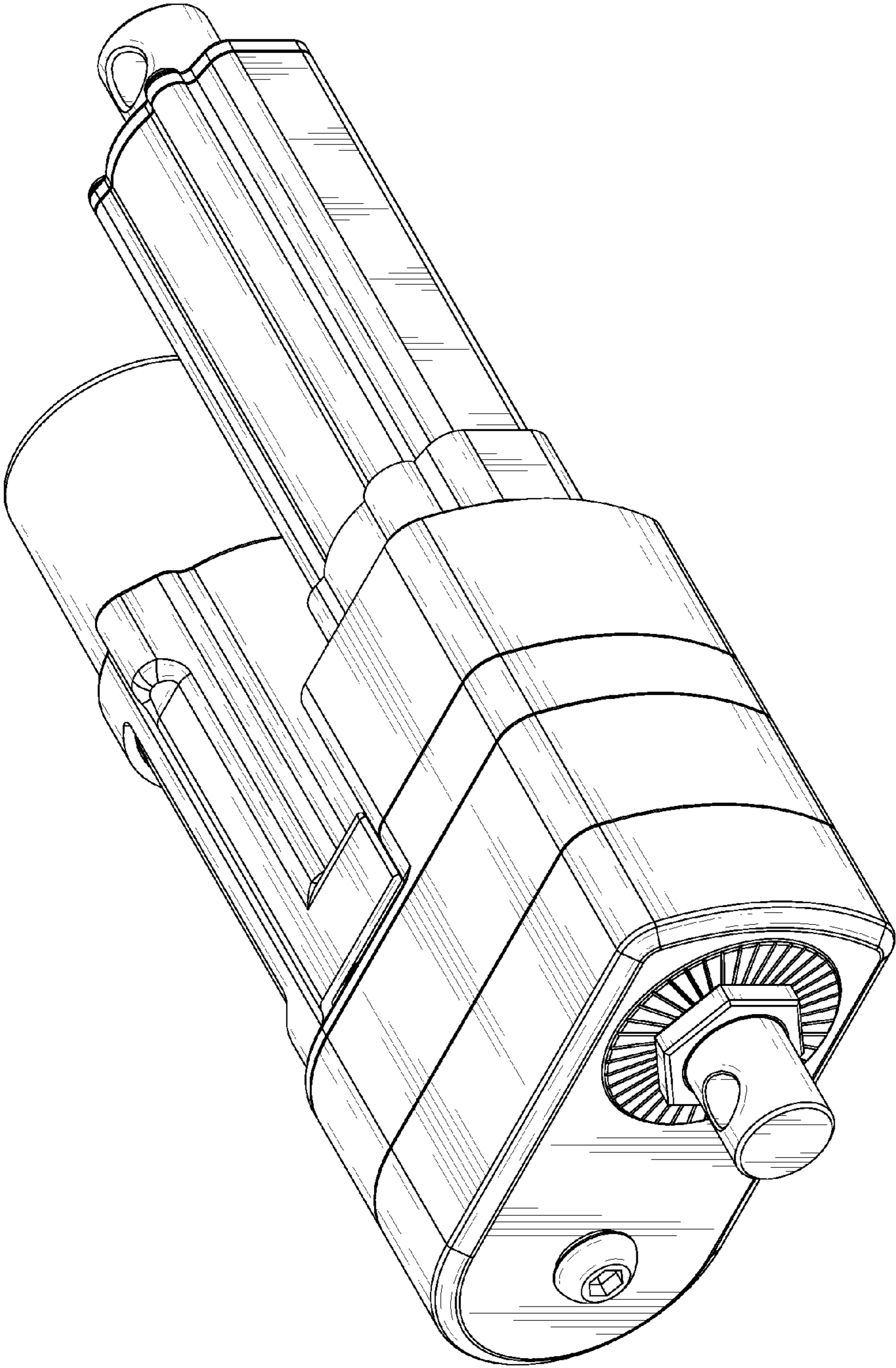


FIG.8

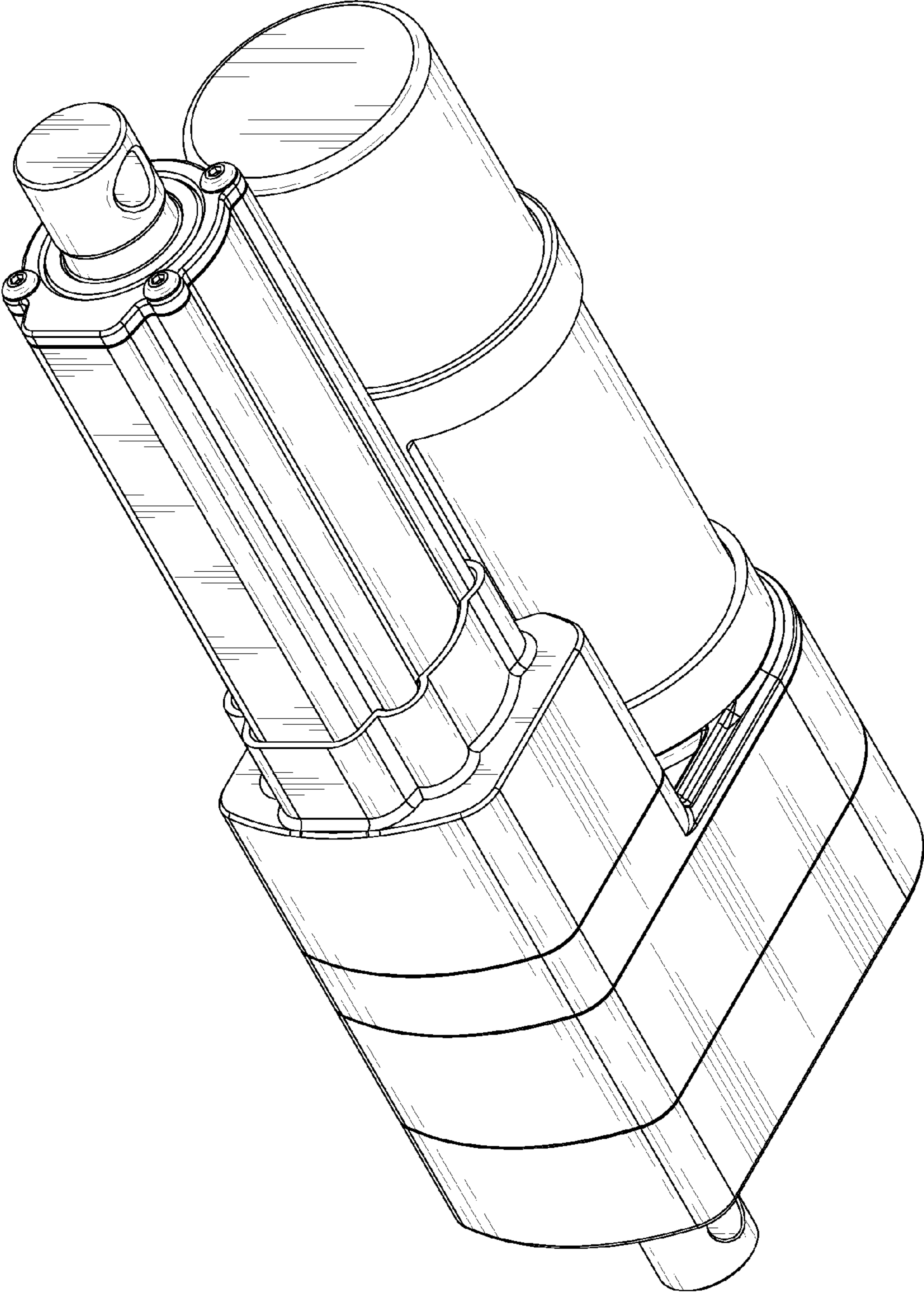


FIG.9