



US00D635598S

(12) **United States Design Patent**
Widin et al.

(10) **Patent No.:** **US D635,598 S**

(45) **Date of Patent:** **** Apr. 5, 2011**

(54) **CUTTING INSERT FOR CHIP REMOVING MACHINING**

(75) Inventors: **Leif Widin**, Sandviken (SE); **Stefan Roman**, Sandviken (SE)

(73) Assignee: **Sandvik Intellectual Property AB**, Sandviken (SE)

(**) Term: **14 Years**

(21) Appl. No.: **29/347,810**

(22) Filed: **Jun. 10, 2010**

(30) **Foreign Application Priority Data**

Jan. 20, 2010 (EM) 001190029

(51) **LOC (9) Cl.** **15-09**

(52) **U.S. Cl.** **D15/139**

(58) **Field of Classification Search** D8/70;
D15/138, 139, 140; 407/35, 42, 112-119
See application file for complete search history.

(56) **References Cited**

U.S. PATENT DOCUMENTS

- 5,525,016 A * 6/1996 Paya et al. 407/116
- 6,071,045 A * 6/2000 Janness 407/42
- 6,158,927 A * 12/2000 Cole et al. 407/48
- 6,224,300 B1 * 5/2001 Baxivanelis et al. 407/114
- 7,217,070 B2 * 5/2007 Hecht 408/154

- 2009/0290945 A1 * 11/2009 Carl 407/113
- 2010/0034602 A1 * 2/2010 Sung et al. 407/113
- 2010/0080622 A1 * 4/2010 Uchida 399/117
- 2010/0129167 A1 * 5/2010 Morrison 407/114
- 2010/0150671 A1 * 6/2010 Oprasic et al. 407/42
- 2010/0158620 A1 * 6/2010 Spitzenberger et al. 407/40

* cited by examiner

Primary Examiner — Patricia Palasik

(74) *Attorney, Agent, or Firm* — Drinker Biddle & Reath LLP

(57) **CLAIM**

We claim the ornamental design for a cutting insert for chip removing machining, as shown and described.

DESCRIPTION

FIG. 1 shows a perspective top view of a cutting insert for chip removing machining.

FIG. 2 shows a perspective bottom view of the cutting insert of FIG. 1.

FIG. 3 shows a top view of the cutting insert of FIG. 1.

FIG. 4 shows a side view of the cutting insert of FIG. 1.

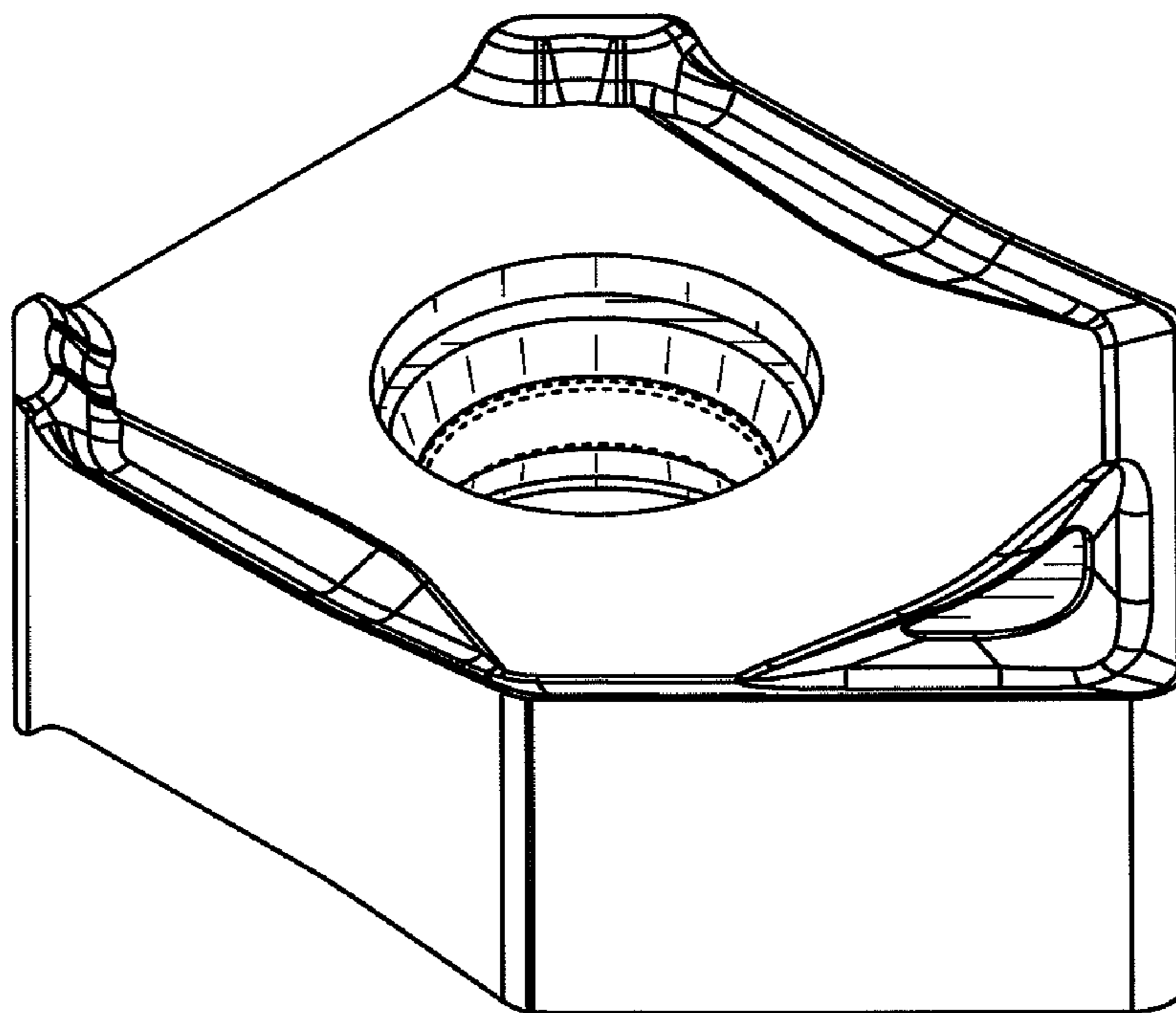
FIG. 5 shows a front view of the cutting insert of FIG. 1.

FIG. 6 shows another side view of the cutting insert of FIG. 1.

FIG. 7 shows a bottom view of the cutting insert of FIG. 1; and,

FIG. 8 shows a rear view of the cutting insert of FIG. 1.

1 Claim, 3 Drawing Sheets



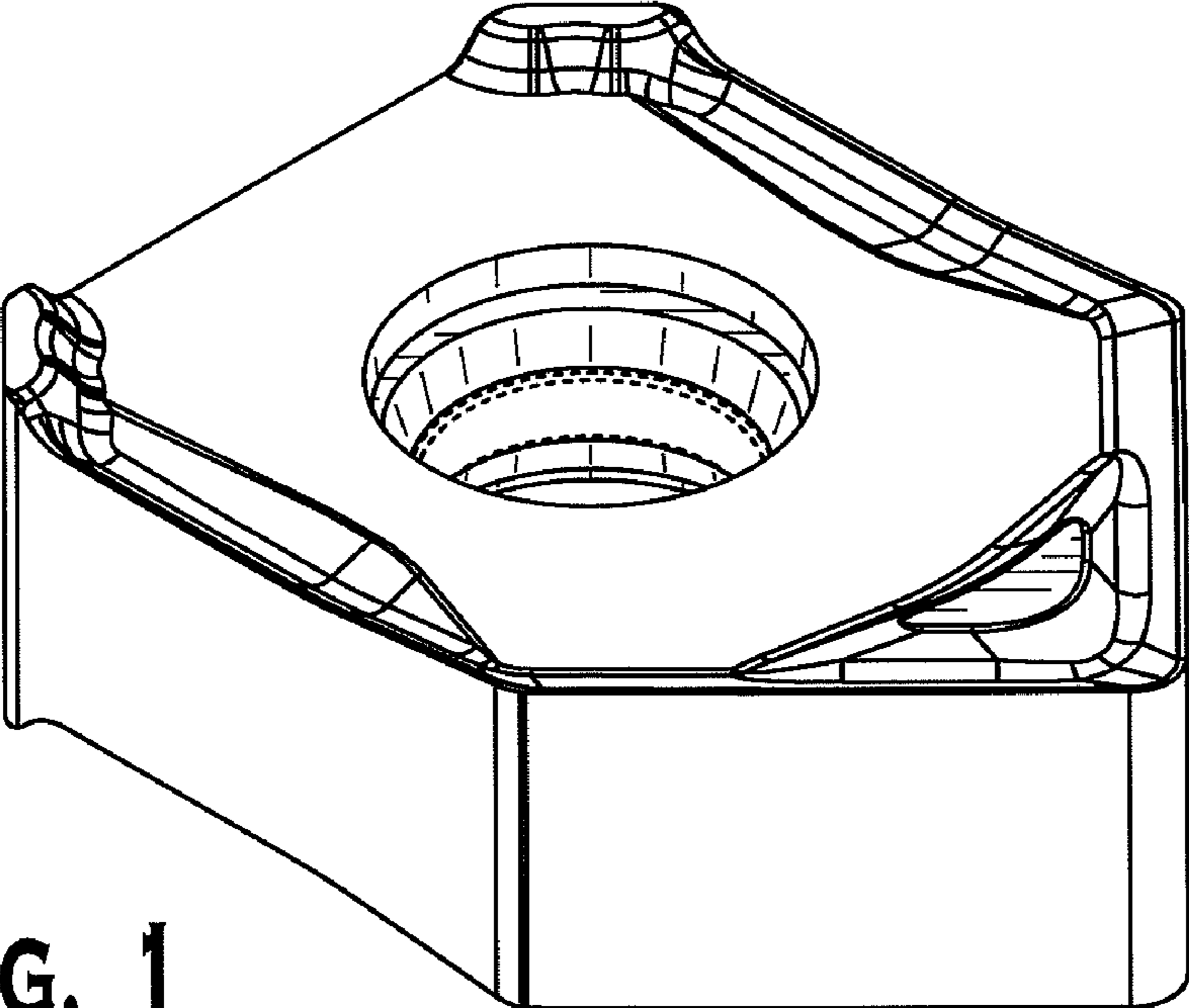


FIG. 1

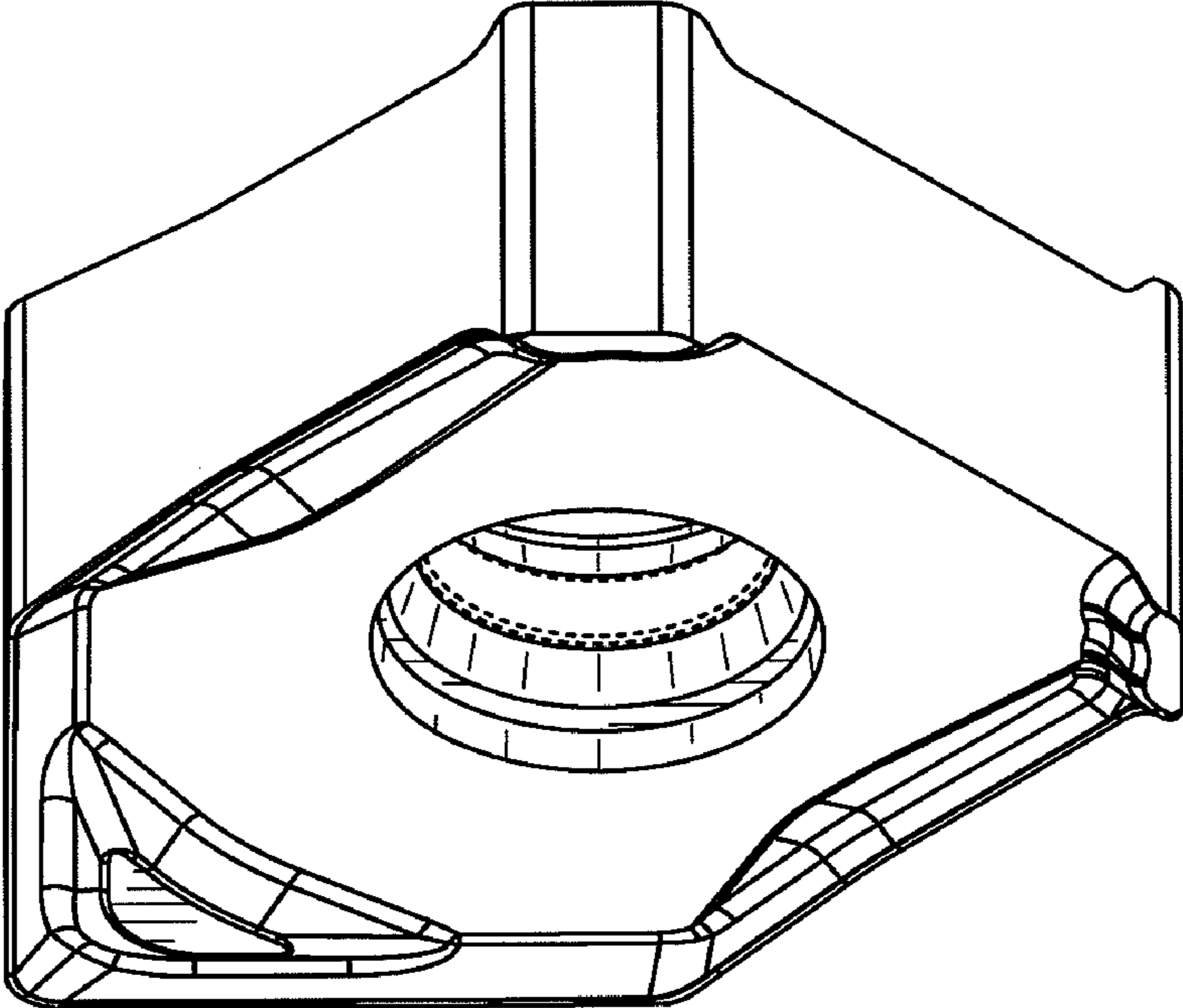


FIG. 2

FIG. 3

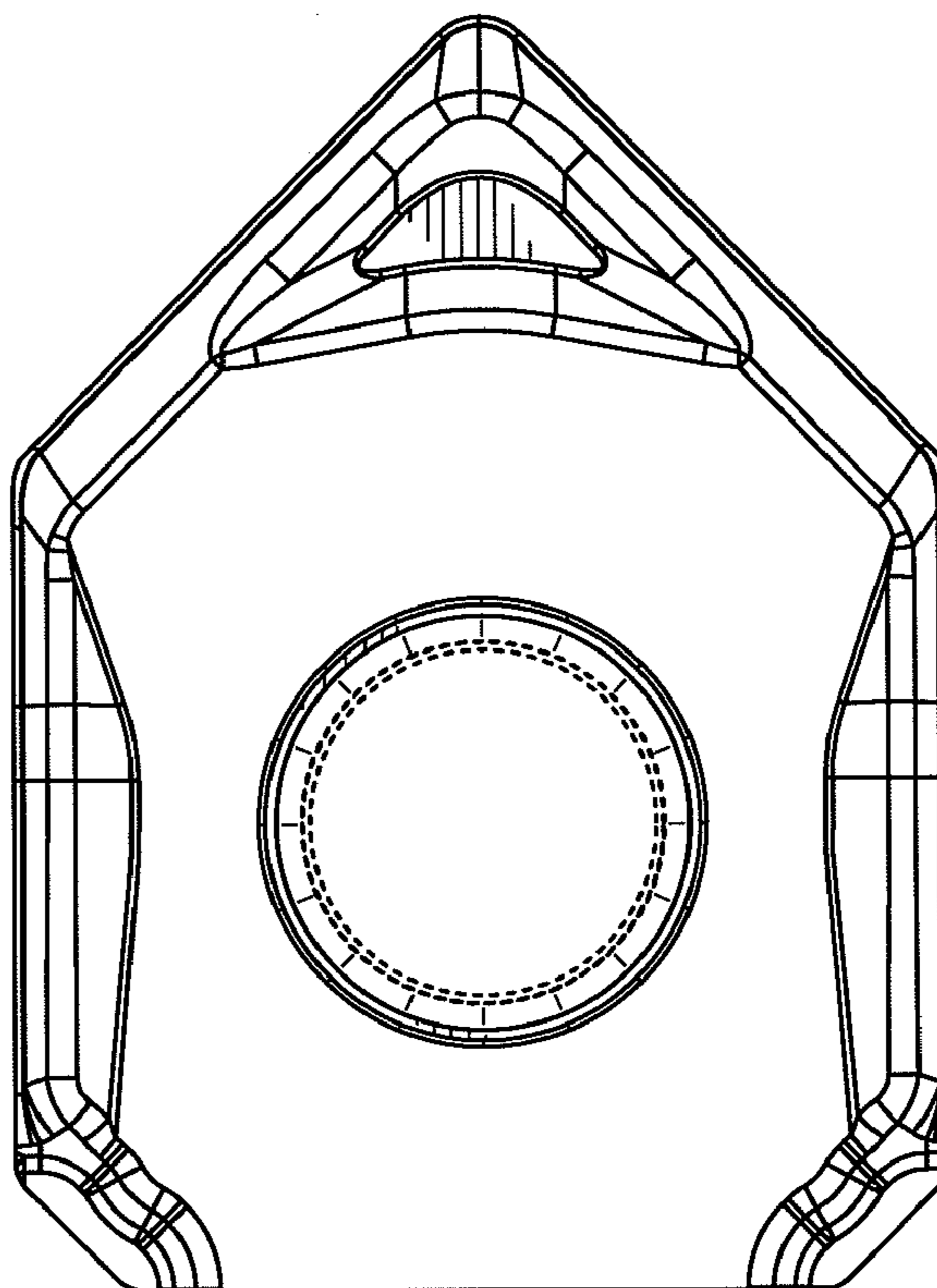


FIG. 4

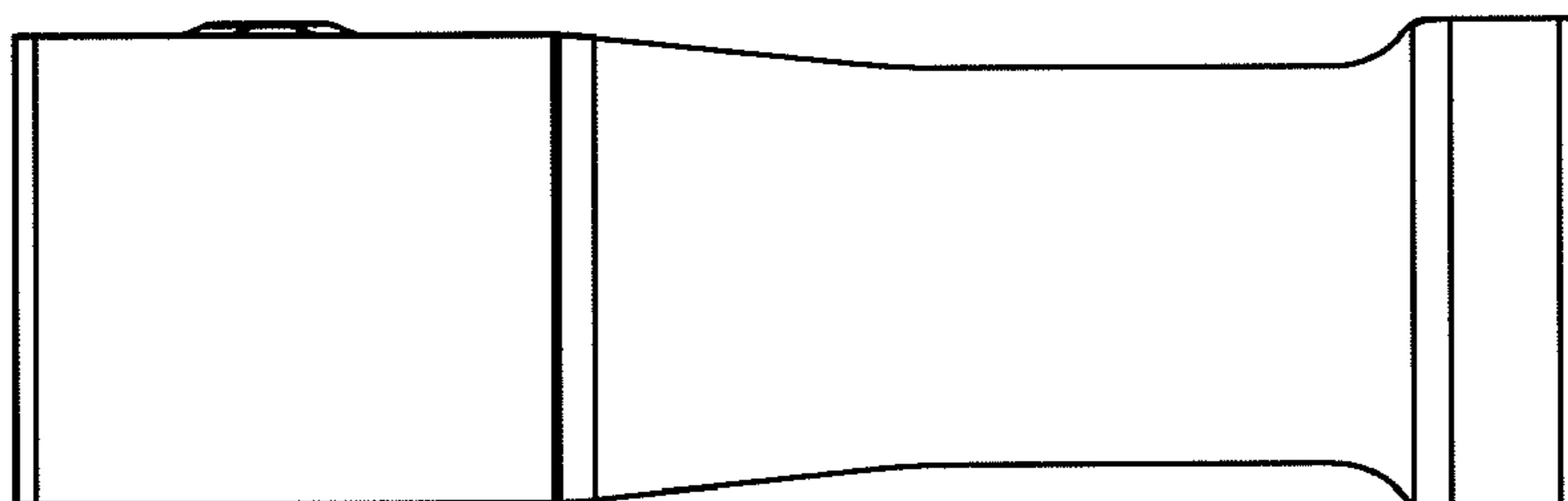


FIG. 5

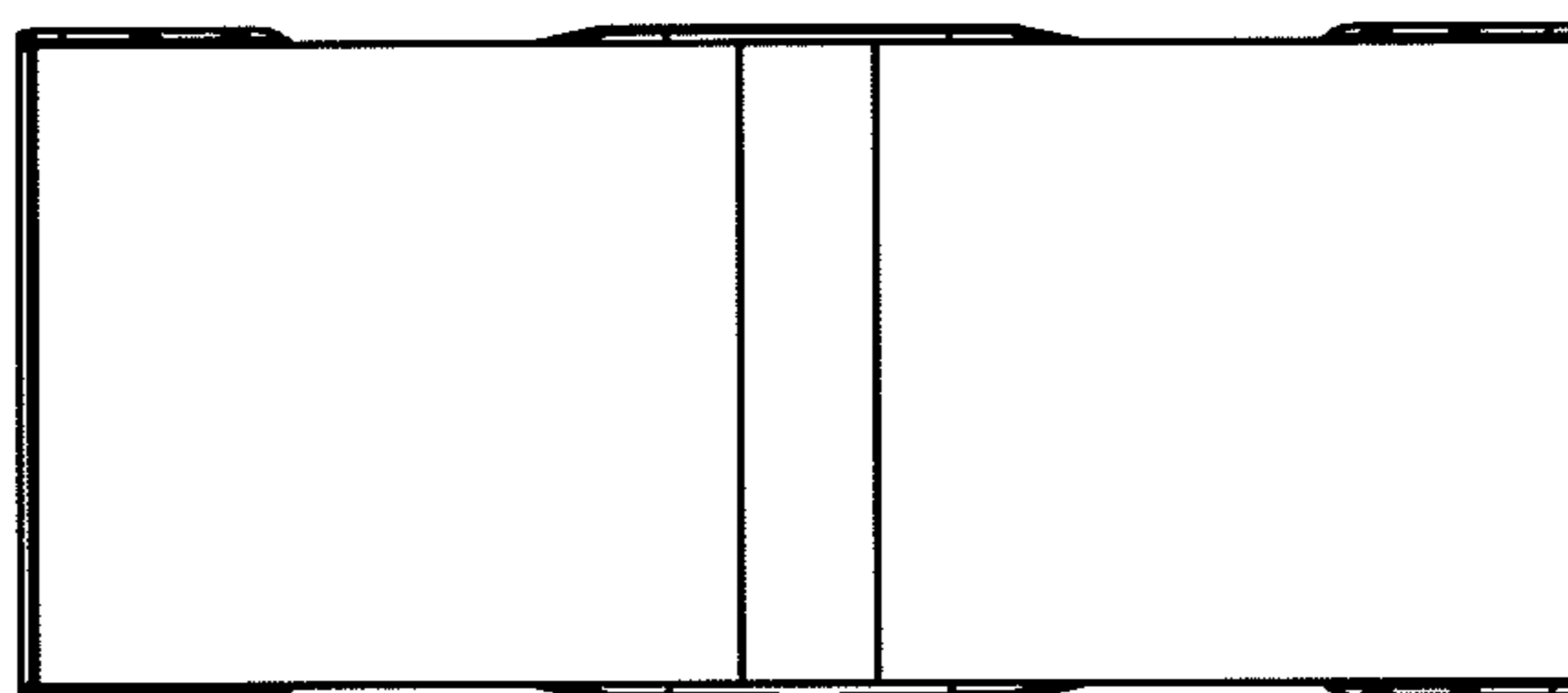


FIG. 6

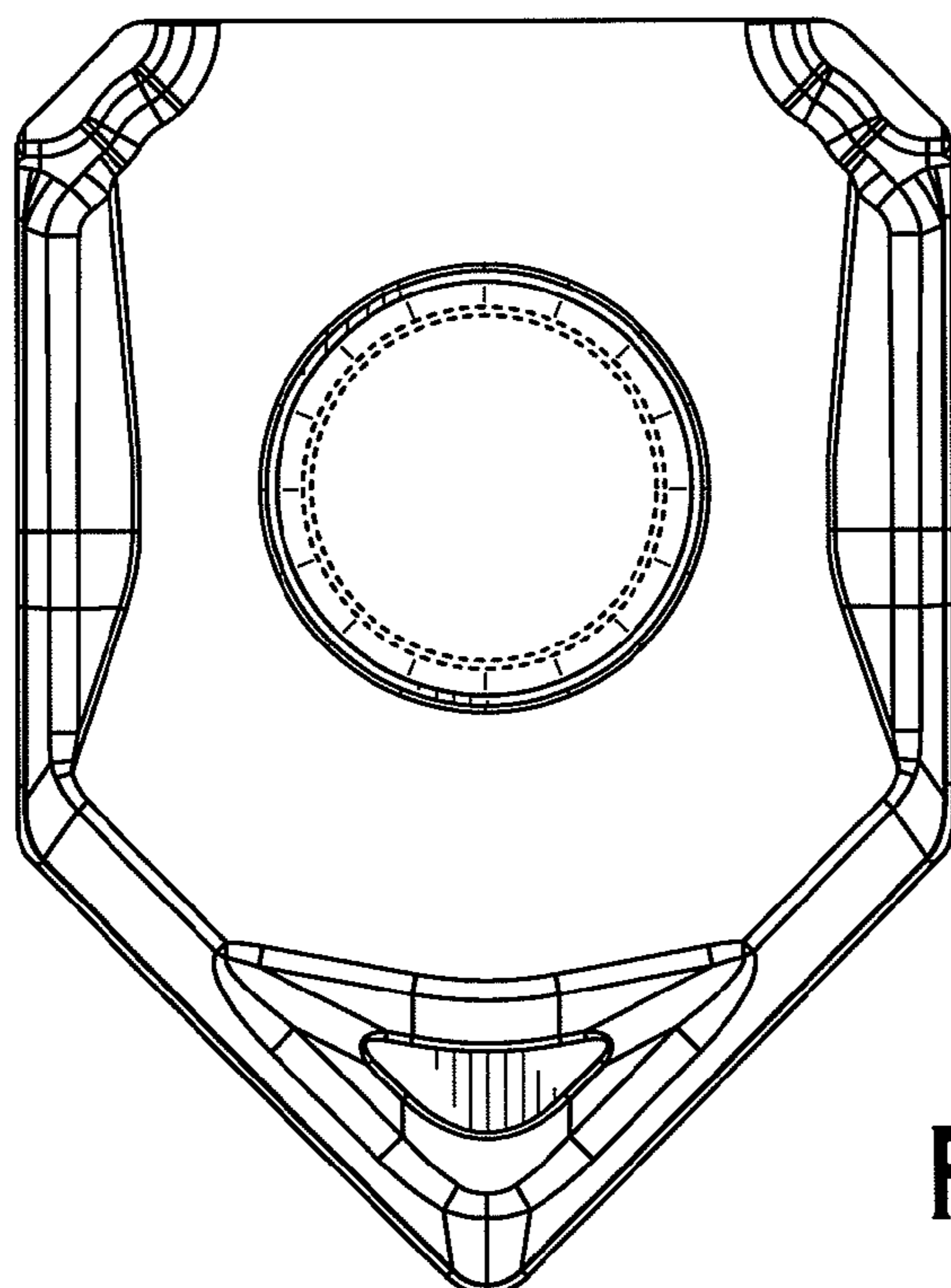
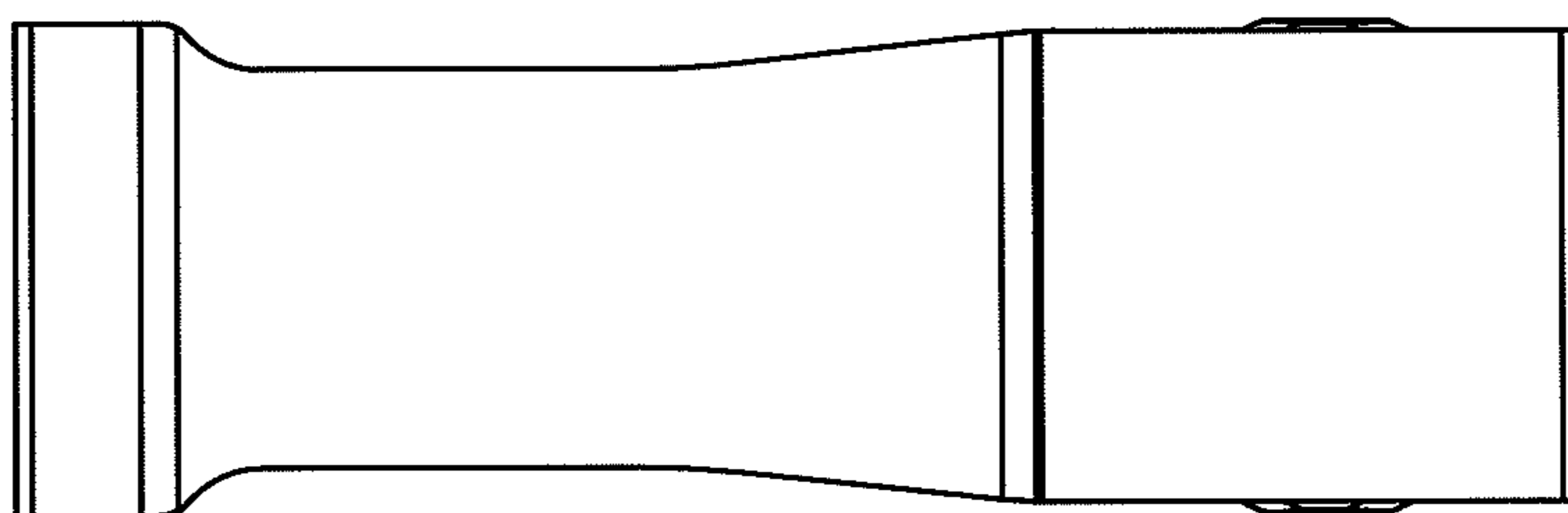


FIG. 7

FIG. 8

