



US00D635591S

(12) **United States Design Patent**
Währenberg

(10) **Patent No.:** **US D635,591 S**

(45) **Date of Patent:** **** Apr. 5, 2011**

(54) **JOYSTICK**

(75) Inventor: **Joakim Währenberg**, Västerås (SE)

(73) Assignee: **ABB AB**, Västerås (SE)

(**) Term: **14 Years**

(21) Appl. No.: **29/344,603**

(22) Filed: **Oct. 1, 2009**

(30) **Foreign Application Priority Data**

Apr. 1, 2009 (EM) 001116842-0001

(51) **LOC (9) Cl.** **15-03**

(52) **U.S. Cl.** **D15/28**

(58) **Field of Classification Search** D15/17,
D15/28, 142; D12/179, 174; D8/8; D34/35;
D21/324, 328, 333; D14/412-416, 400,
D14/401; 74/491, 519, 523, 475, 489, 473.1,
74/471 XY; 56/13.3, 202; 273/148 B; 463/38,
463/46; 345/161

See application file for complete search history.

(56) **References Cited**

U.S. PATENT DOCUMENTS

D317,947 S * 7/1991 Tal D14/415
D320,589 S * 10/1991 Kelley et al. D12/179
D362,330 S * 9/1995 Avitan et al. D34/35
D365,576 S * 12/1995 Butkovich et al. D15/29
D366,910 S * 2/1996 Hsieh D14/412
5,805,256 A * 9/1998 Miller 348/734
D418,097 S * 12/1999 Leschke et al. D12/179
6,002,388 A * 12/1999 Seffernick et al. 345/161
D419,570 S * 1/2000 Blondeel et al. D15/29

6,059,660 A * 5/2000 Takada et al. 463/38
D450,702 S * 11/2001 Sagawa et al. D14/412
6,331,849 B1 * 12/2001 VandenBoom 345/161
D454,569 S * 3/2002 Osborn et al. D14/412
6,353,431 B1 * 3/2002 Poole et al. 345/161
D463,457 S * 9/2002 Nagatsuka D15/28
D464,007 S * 10/2002 Ligneau D12/179
D464,654 S * 10/2002 Tews D14/414
D498,188 S * 11/2004 Ligneau D12/179
D498,189 S * 11/2004 Ligneau D12/179
D498,758 S * 11/2004 Nakamura et al. D14/413
D499,121 S * 11/2004 Masalin D15/28
6,892,597 B2 * 5/2005 Tews 74/471 XY
D531,942 S * 11/2006 Chanteloup D12/179
D537,393 S * 2/2007 Chanteloup D12/179
D537,394 S * 2/2007 Chanteloup D12/179
D559,749 S * 1/2008 Barbieri D12/179
D599,829 S * 9/2009 Jorgensen et al. D15/28

* cited by examiner

Primary Examiner — Mark A Goodwin

(74) *Attorney, Agent, or Firm* — Venable LLP; Eric J. Franklin

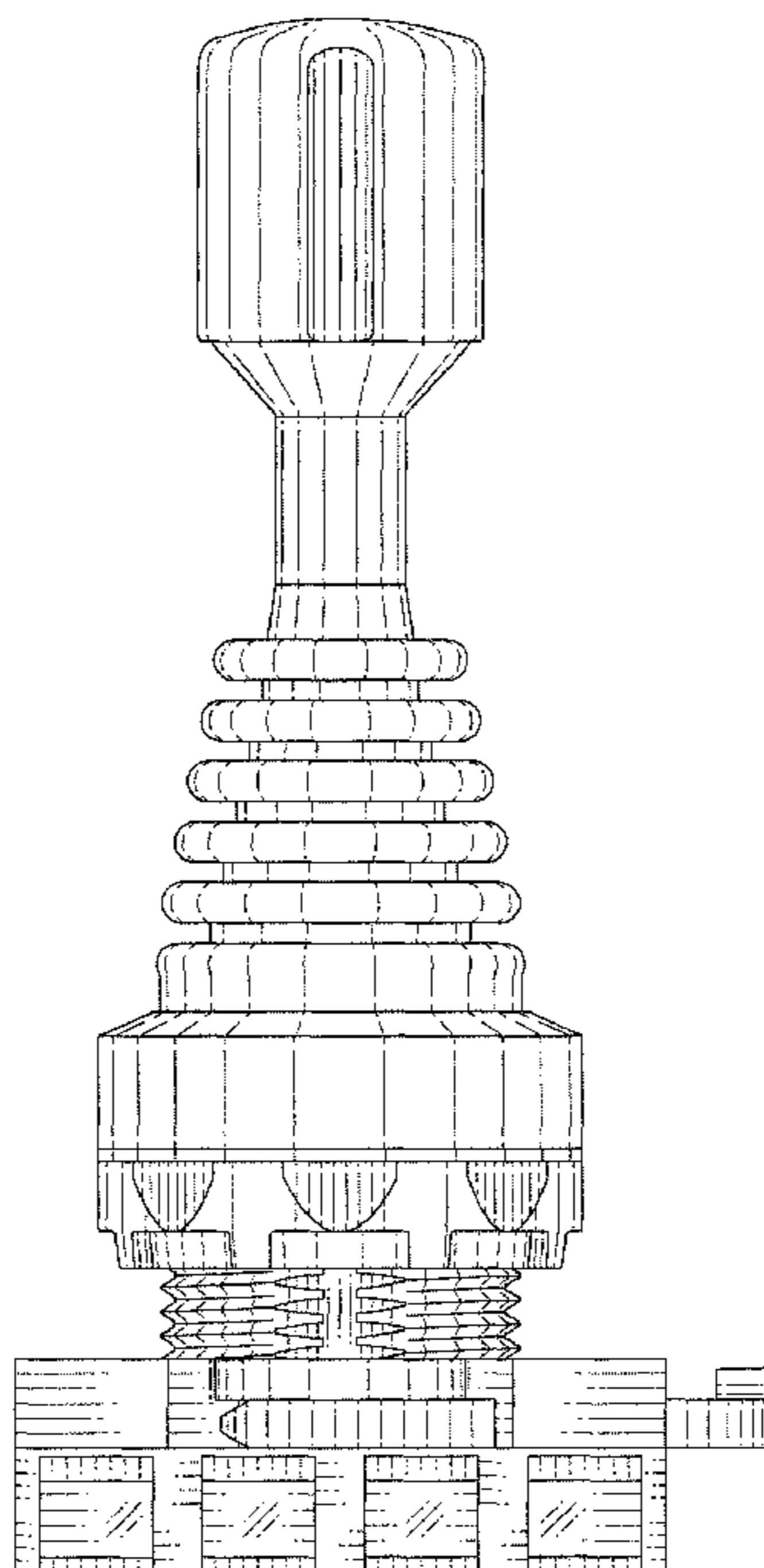
(57) **CLAIM**

The ornamental design for a joystick, as shown and described.

DESCRIPTION

FIG. 1 is a front view of a joystick showing my new design;
FIG. 2 is a rear view thereof;
FIG. 3 is a right side view thereof;
FIG. 4 is a left side view thereof;
FIG. 5 is a top plan view thereof;
FIG. 6 is a bottom plan view thereof; and,
FIG. 7 is a bottom right front perspective view thereof.

1 Claim, 7 Drawing Sheets



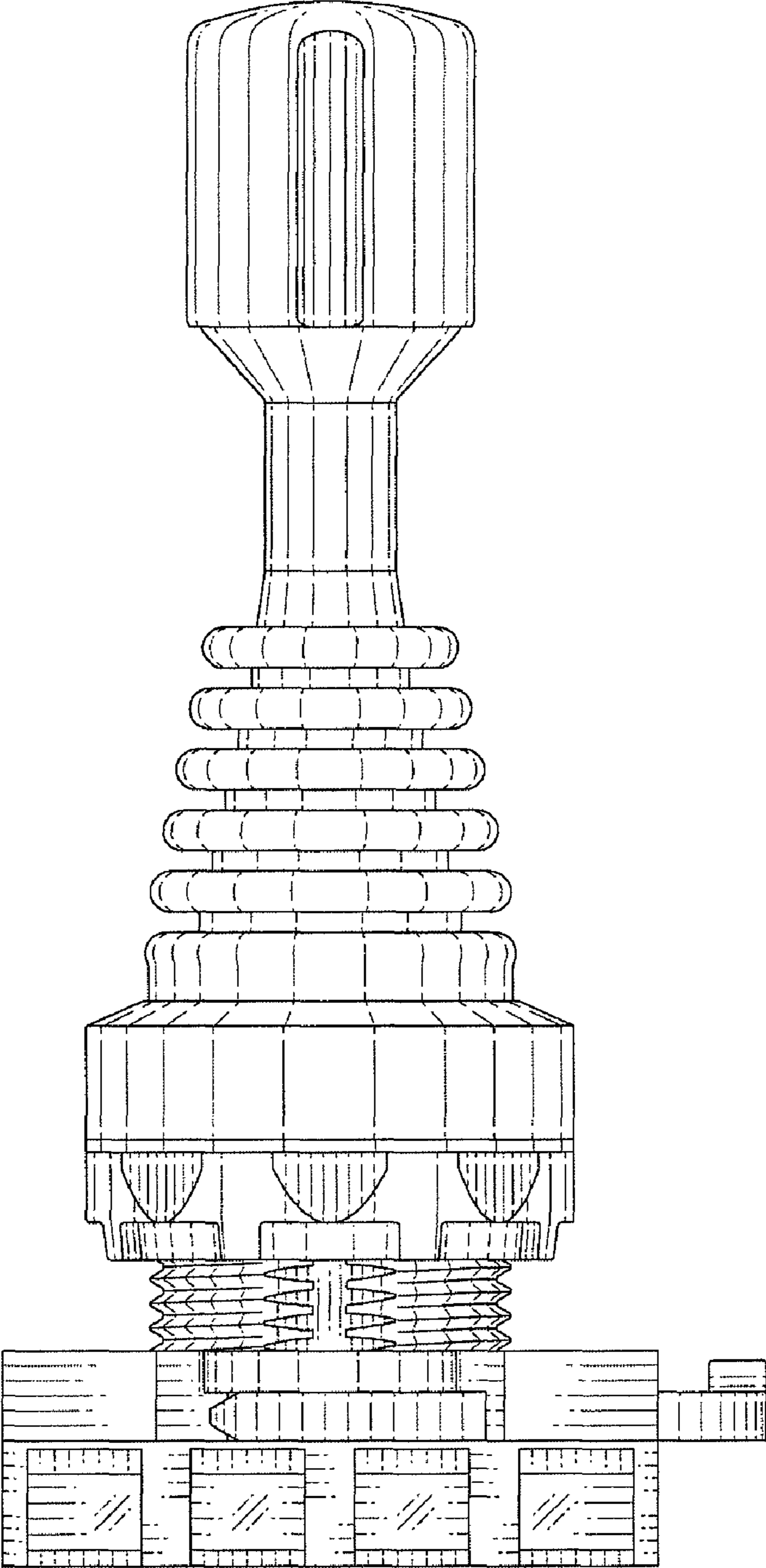


Fig. 1

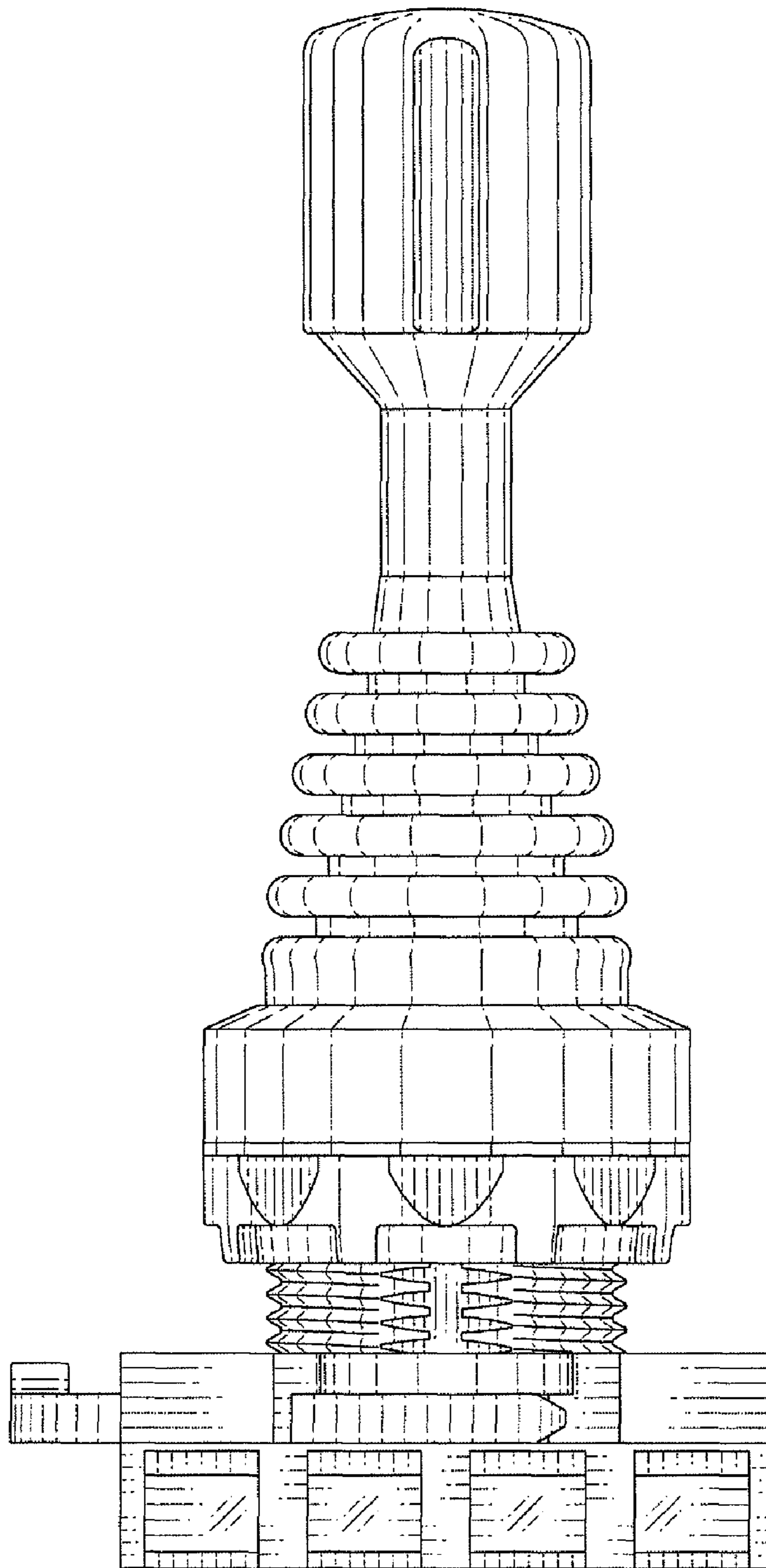


Fig. 2

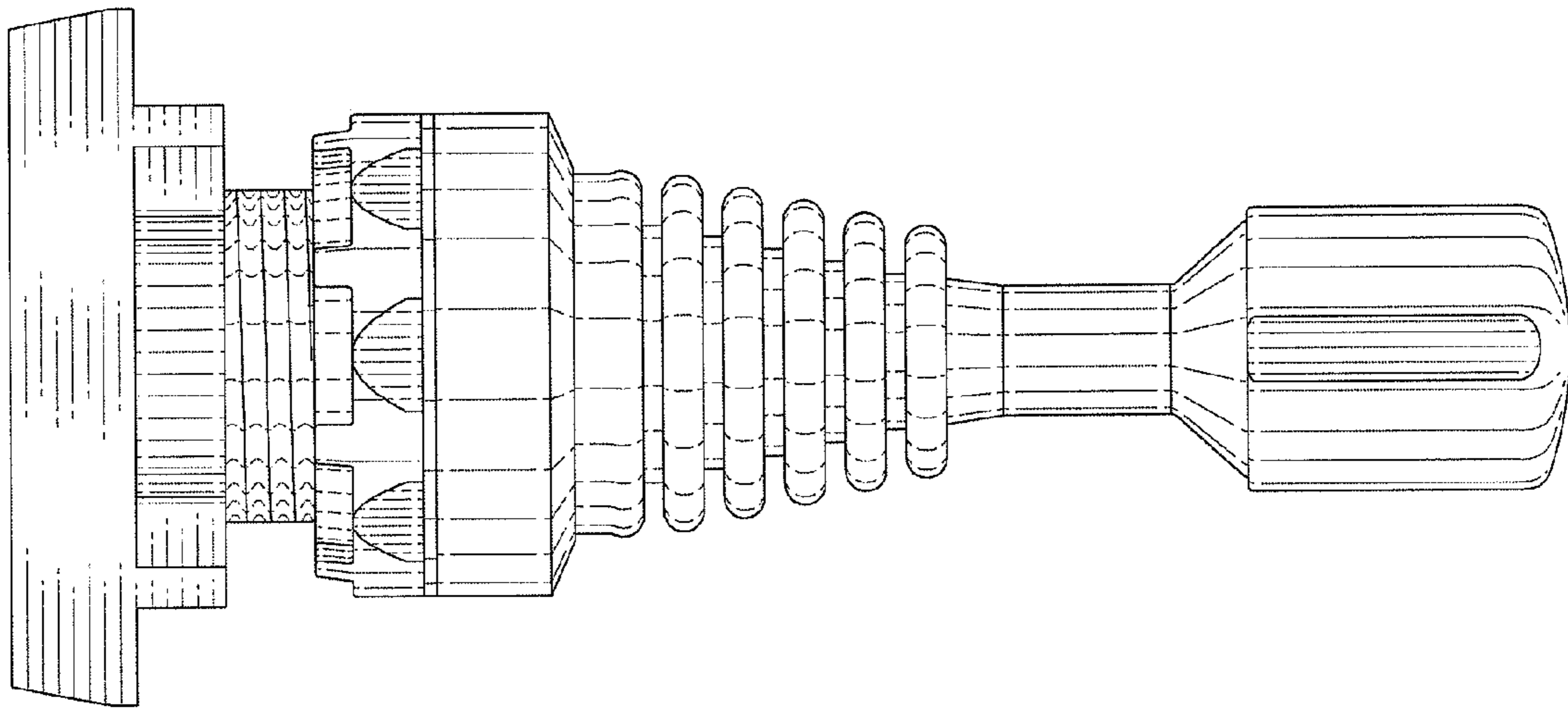


Fig. 3

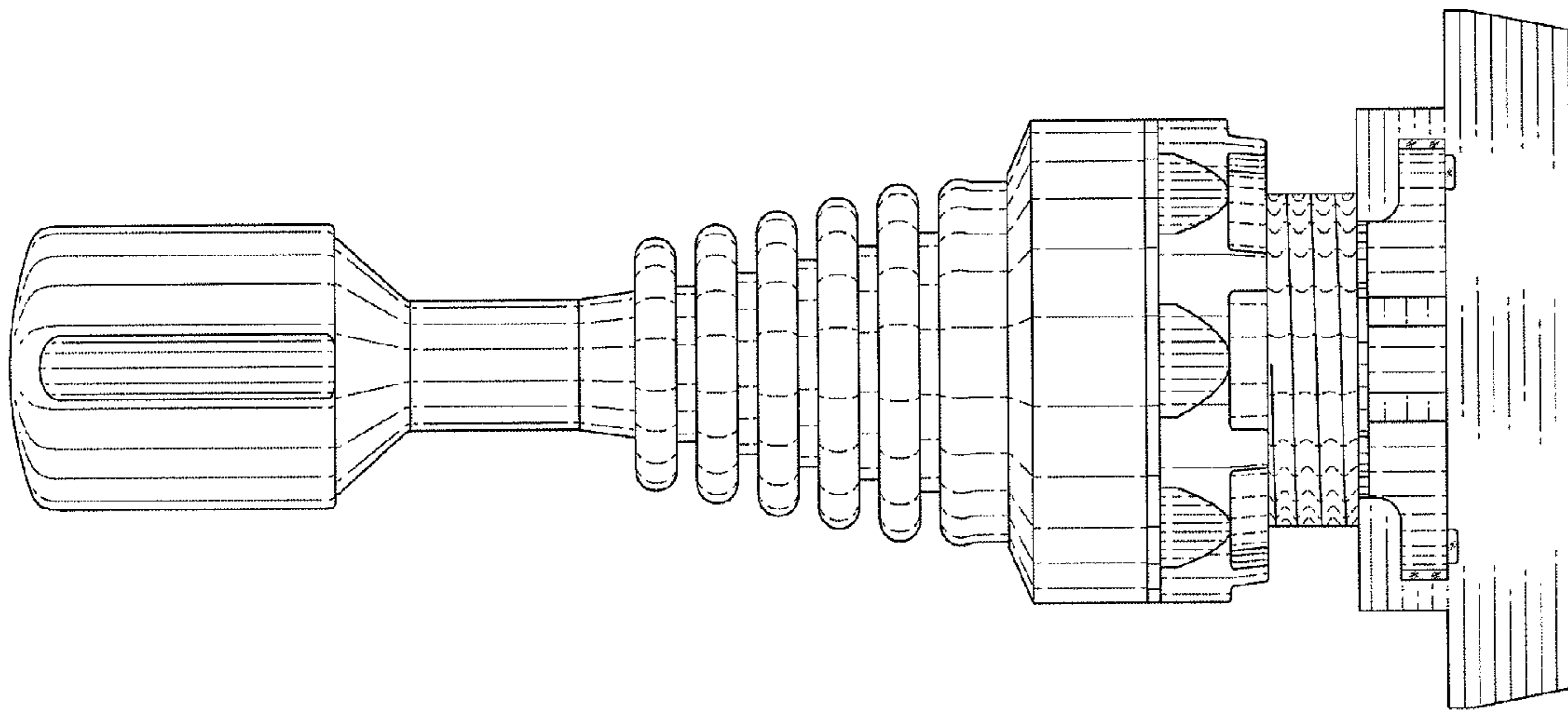


Fig. 4

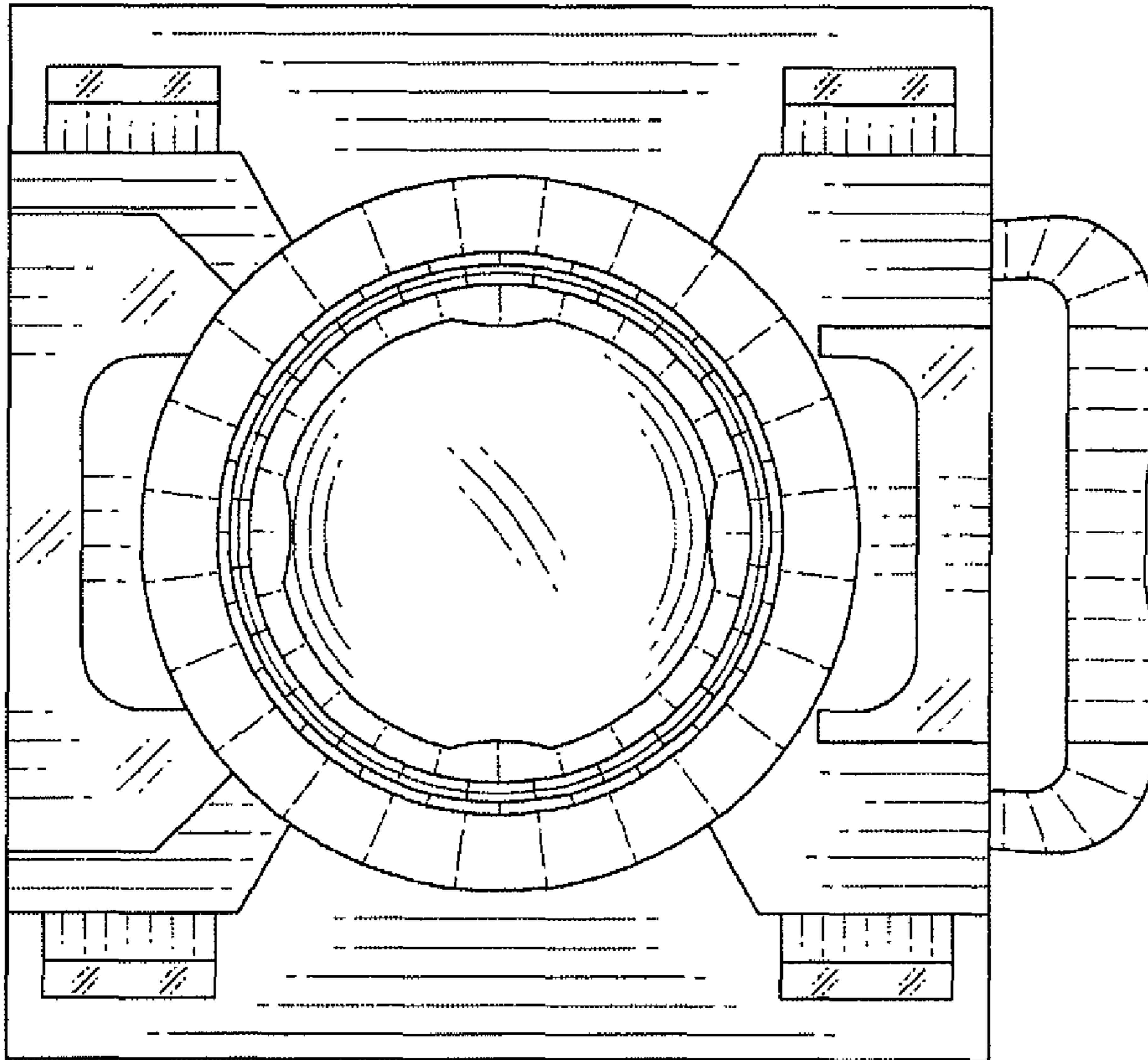


Fig. 5

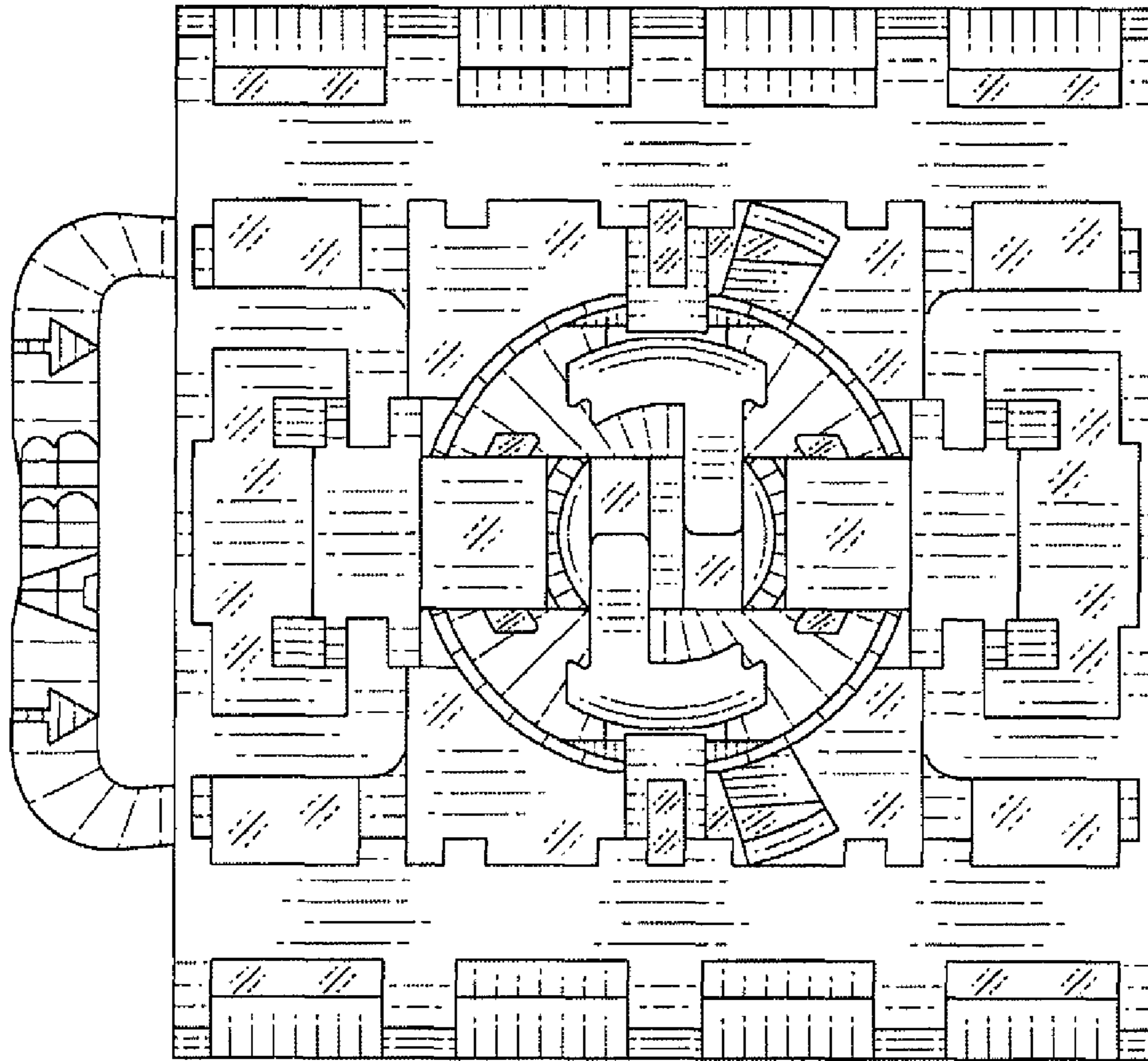


Fig. 6

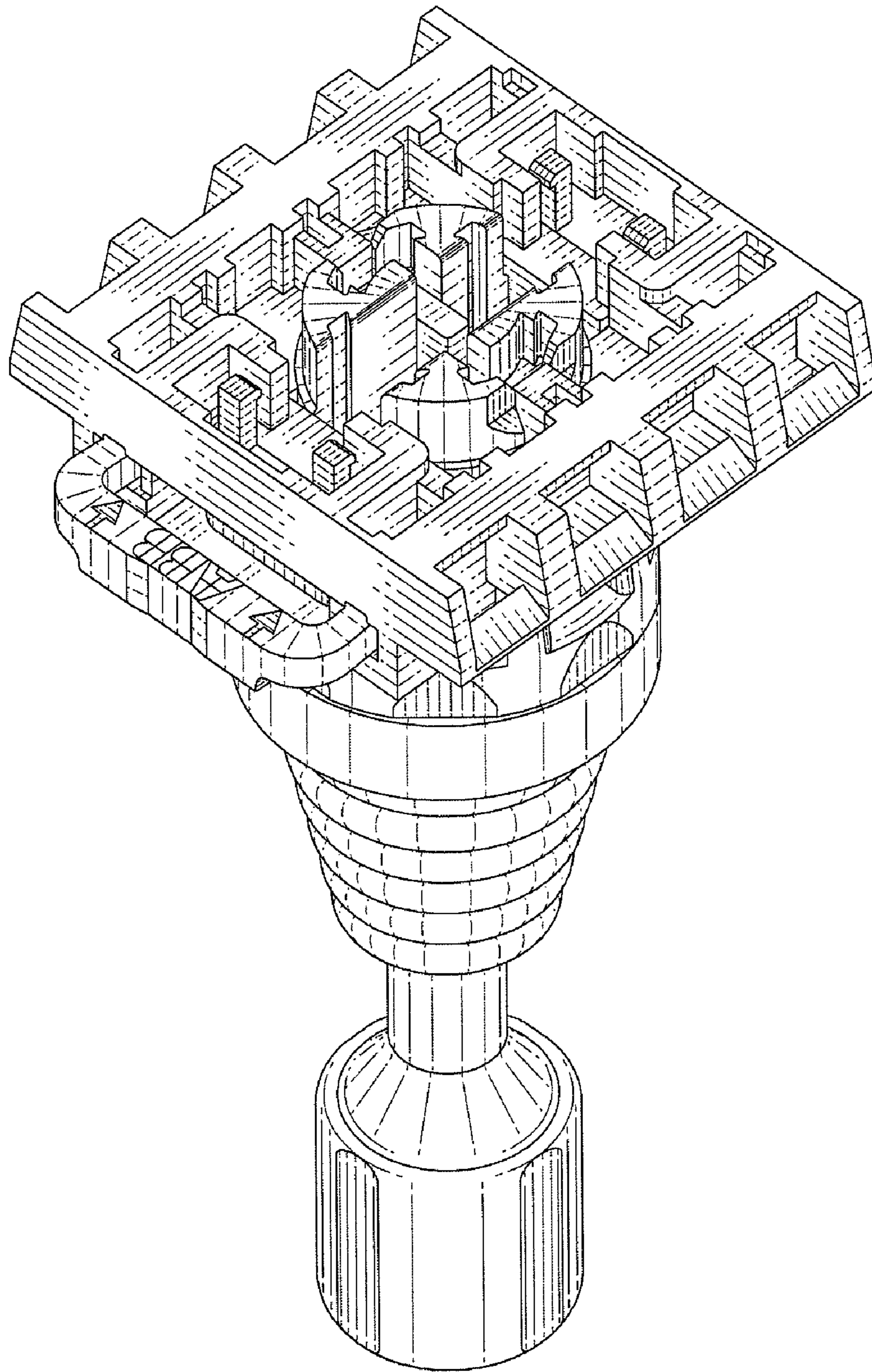


Fig. 7