



US00D635590S

(12) **United States Design Patent**
Kovach et al.

(10) **Patent No.:** **US D635,590 S**

(45) **Date of Patent:** **** *Apr. 5, 2011**

(54) **TANDEM DISC WITH FINISHING BASKET**
(75) Inventors: **Michael George Kovach**, Morton, IL (US); **Rick L. Gerber**, Roanoke, IL (US); **Melvin L. Blunier**, Congerville, IL (US); **Mark P. Hoffman**, Deercreek, IL (US)

(73) Assignee: **CNH America LLC**, New Holland, PA (US)

(*) Notice: This patent is subject to a terminal disclaimer.

(**) Term: **14 Years**

(21) Appl. No.: **29/358,419**

(22) Filed: **Mar. 26, 2010**

(51) **LOC (9) Cl.** **15-03**

(52) **U.S. Cl.** **D15/11; D15/27**

(58) **Field of Classification Search** D15/10, D15/11, 27, 28, 29, 33; 172/579, 311, 568, 172/612, 468, 637, 662, 684.5, 689, 551, 172/576, 595, 455, 518, 527, 567, 586, 142, 172/152, 154, 178, 181, 196, 442, 440, 441, 172/314, 548, 454, 583, 140, 776, 22, 145-147, 172/175, 669

See application file for complete search history.

(56) **References Cited**

U.S. PATENT DOCUMENTS

1,482,496	A *	2/1924	White	172/310
D165,046	S *	11/1951	Bailey	D15/27
2,682,140	A *	6/1954	Taylor	172/588
2,905,254	A *	9/1959	Hayse	172/413

3,327,787	A *	6/1967	Adee	172/311
3,731,747	A *	5/1973	Frank	172/311
3,734,199	A *	5/1973	Tsuchiya et al.	172/572
3,759,332	A *	9/1973	Robertson, Sr.	172/239
D234,619	S *	3/1975	Oelschlaeger	D15/27
4,044,842	A *	8/1977	Worick	172/314
4,150,725	A *	4/1979	Crumrine	172/678
D258,657	S *	3/1981	Stark	D15/27
D267,320	S *	12/1982	Symonds	D15/11
4,452,318	A *	6/1984	Boetto	172/311
D306,598	S *	3/1990	Swartzendruber et al.	D15/11
5,161,622	A *	11/1992	Godbersen	172/140
5,535,832	A *	7/1996	Benoit	172/195
5,794,712	A *	8/1998	Phillips	172/459
5,881,820	A *	3/1999	Baker	172/455
6,612,378	B2 *	9/2003	Sauder	172/145
7,578,356	B2 *	8/2009	Newman	172/572
7,607,489	B2 *	10/2009	Kelly et al.	172/579
2010/0084148	A1 *	4/2010	Kovach et al.	172/145
2010/0084149	A1 *	4/2010	Kovach et al.	172/396

* cited by examiner

Primary Examiner — Mark A Goodwin

(74) *Attorney, Agent, or Firm* — Rebecca Henkel

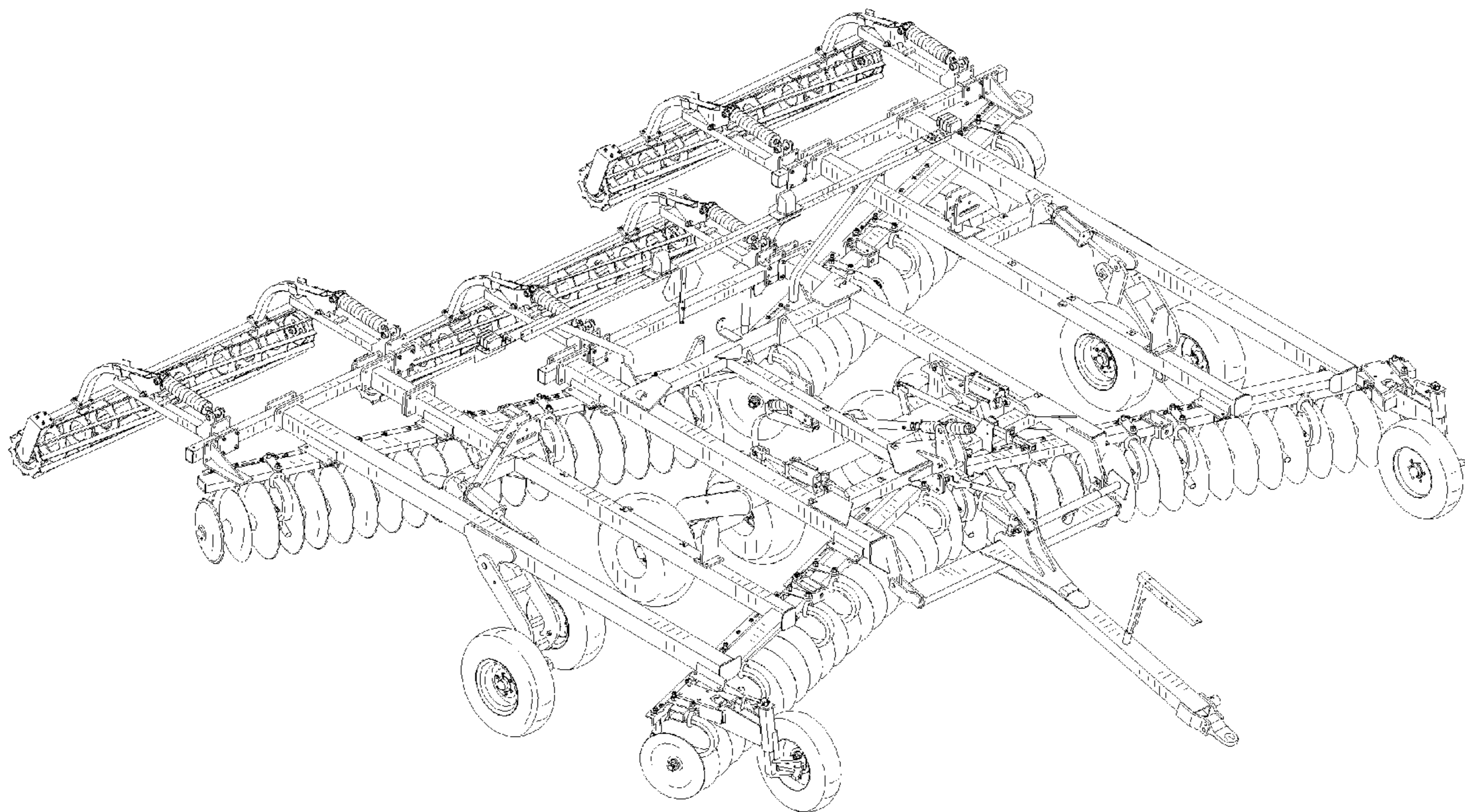
(57) **CLAIM**

We claim the ornamental design for a tandem disc with finishing basket, as shown and described.

DESCRIPTION

FIG. 1 is an upper right perspective view of a tandem disc with finishing basket showing our new design;
FIG. 2 is a top view thereof;
FIG. 3 is a right side thereof;
FIG. 4 is a front view thereof;
FIG. 5 is a rear view thereof; and,
FIG. 6 is a rear view with finishing basket thereof.

1 Claim, 6 Drawing Sheets



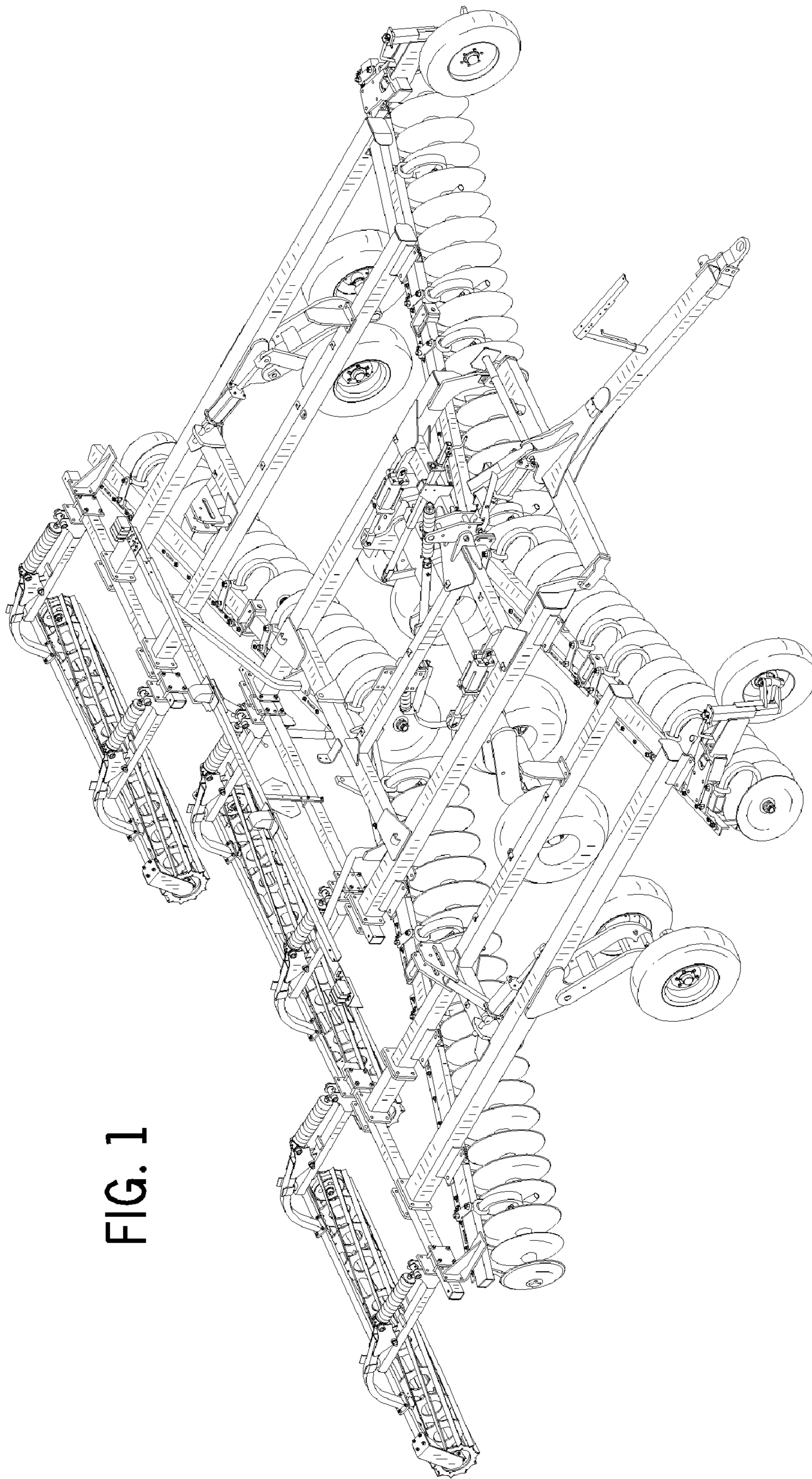


FIG. 1

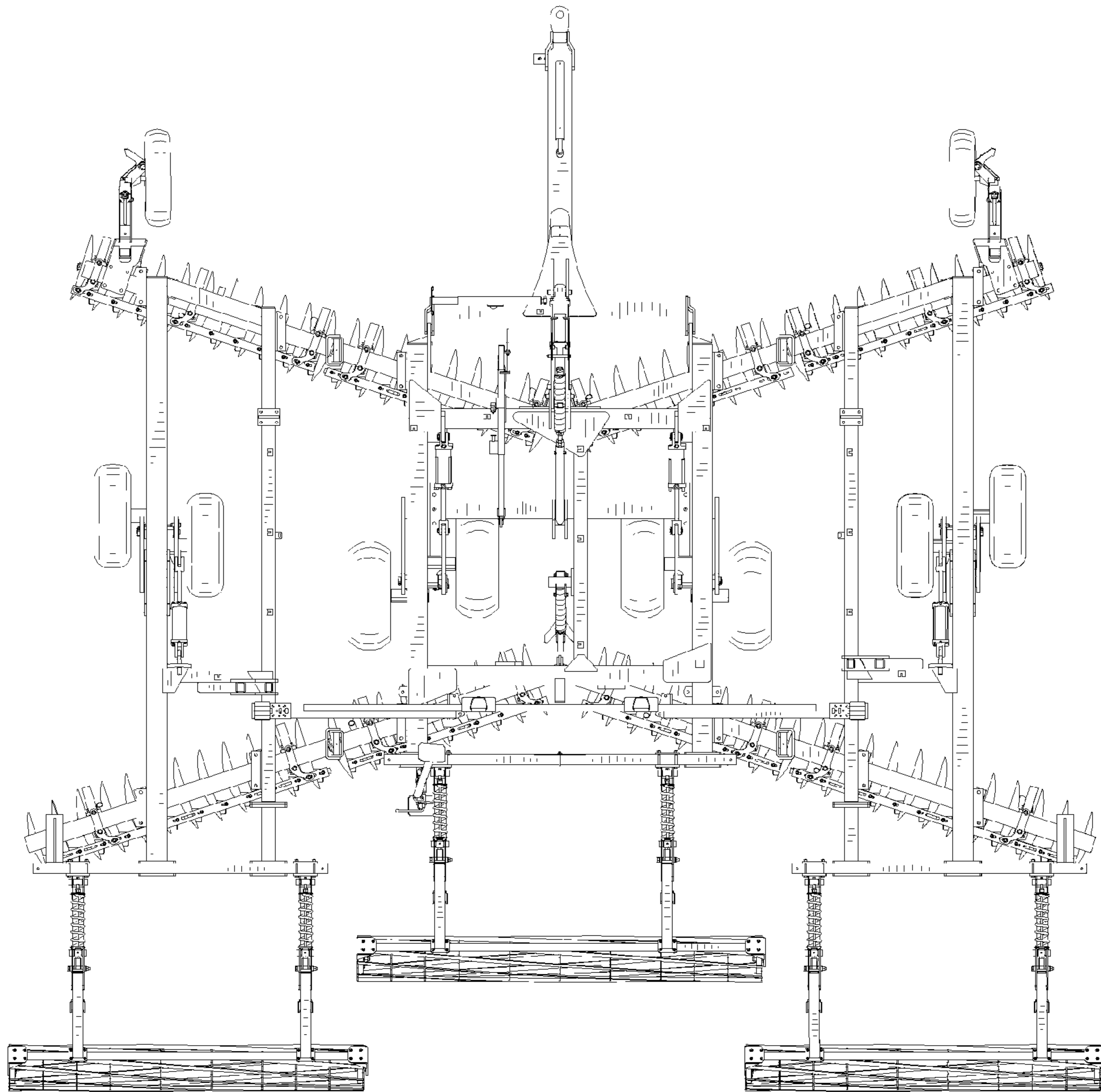


FIG. 2

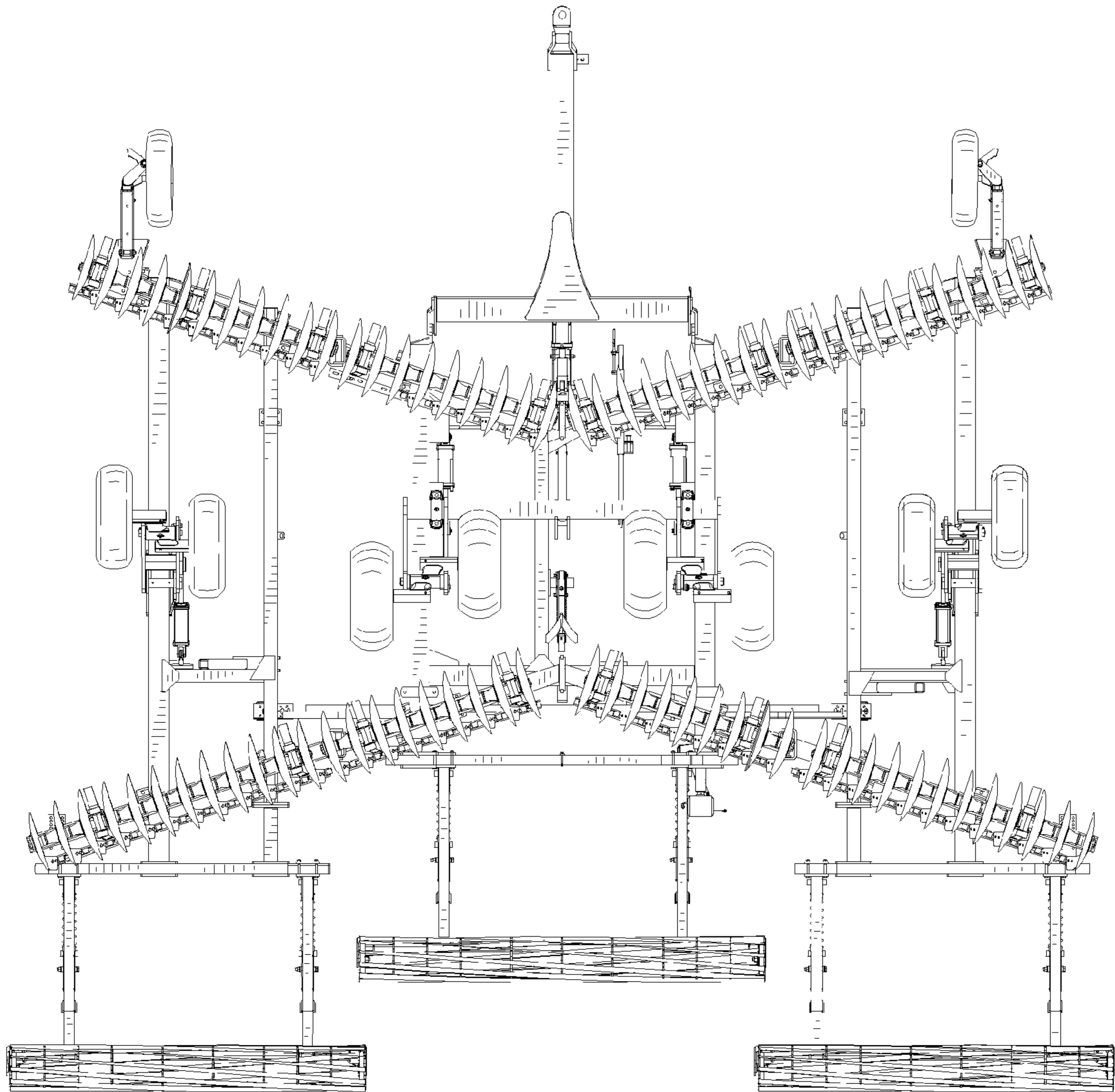


FIG. 3

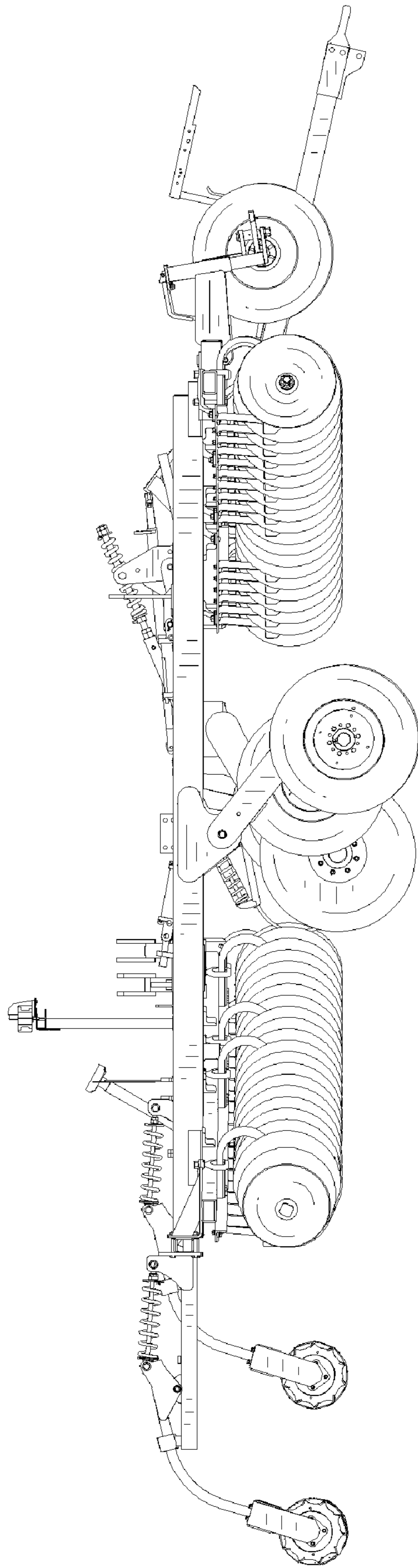


FIG. 4

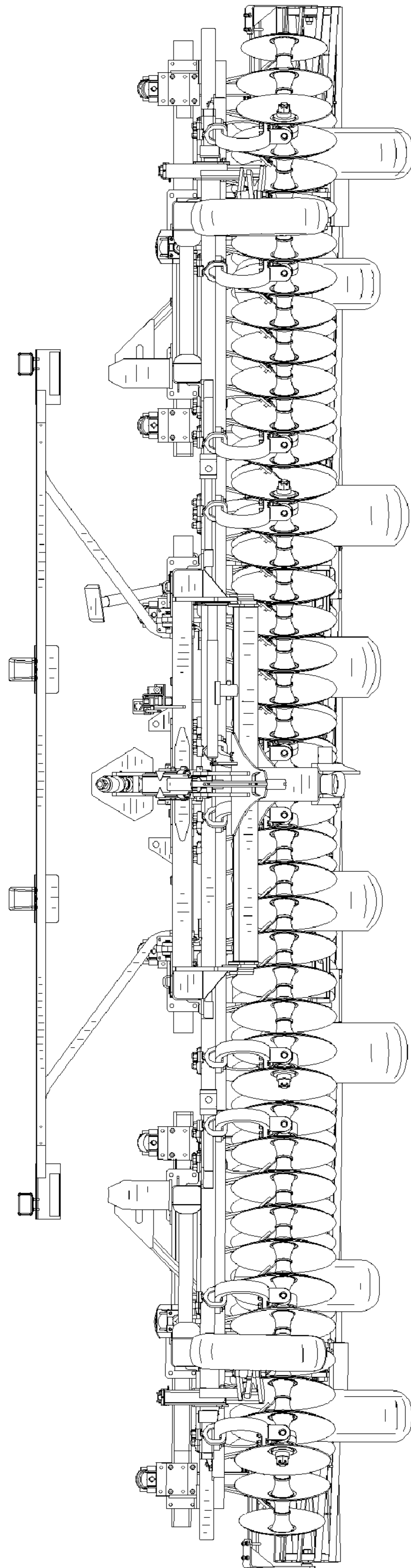


FIG. 5

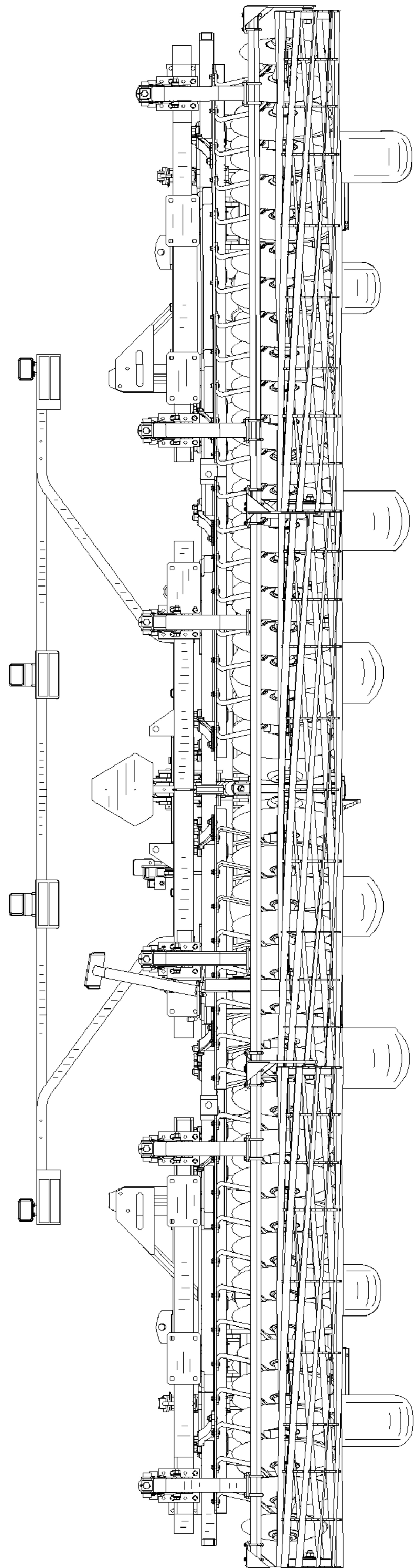


FIG. 6