



US00D635589S

(12) **United States Design Patent**
Bongard et al.

(10) **Patent No.:** **US D635,589 S**

(45) **Date of Patent:** **** Apr. 5, 2011**

(54) **TWIN MOTOR COMPRESSOR**
(75) Inventors: **Daniel Bongard**, Blackburn (AU);
Samuel B. Steward, Box Hill South (AU)

(73) Assignee: **ARB Corporation Limited**, Kilsyth (AU)

(**) Term: **14 Years**

(21) Appl. No.: **29/367,159**

(22) Filed: **Aug. 4, 2010**

(30) **Foreign Application Priority Data**

Feb. 4, 2010 (AU) 201010372

(51) **LOC (9) Cl.** **15-02**

(52) **U.S. Cl.** **D15/9**

(58) **Field of Classification Search** D15/7-9;
D23/231, 232; 417/410.1, 359, 415-416,
417/234, 321, 265, 405

See application file for complete search history.

(56) **References Cited**

U.S. PATENT DOCUMENTS

D425,524 S * 5/2000 Eriksen D15/9
D515,103 S * 2/2006 Chou D15/9

D540,822 S * 4/2007 Mandsfelt D15/9
D624,936 S * 10/2010 Houghton D15/9

* cited by examiner

Primary Examiner — Ralf Seifert

(74) *Attorney, Agent, or Firm* — Rothwell, Figg, Ernst & Manbeck, P.C.

(57) **CLAIM**

A twin motor compressor, as shown and described.

DESCRIPTION

FIG. 1 is a front perspective view of the twin motor compressor of the present invention;

FIG. 2 is a rear perspective view of the compressor of FIG. 1;

FIG. 3 is a front end view of the compressor of FIG. 1;

FIG. 4 is a rear end view of the compressor of FIG. 1;

FIG. 5 is a top plan view of the compressor of FIG. 1;

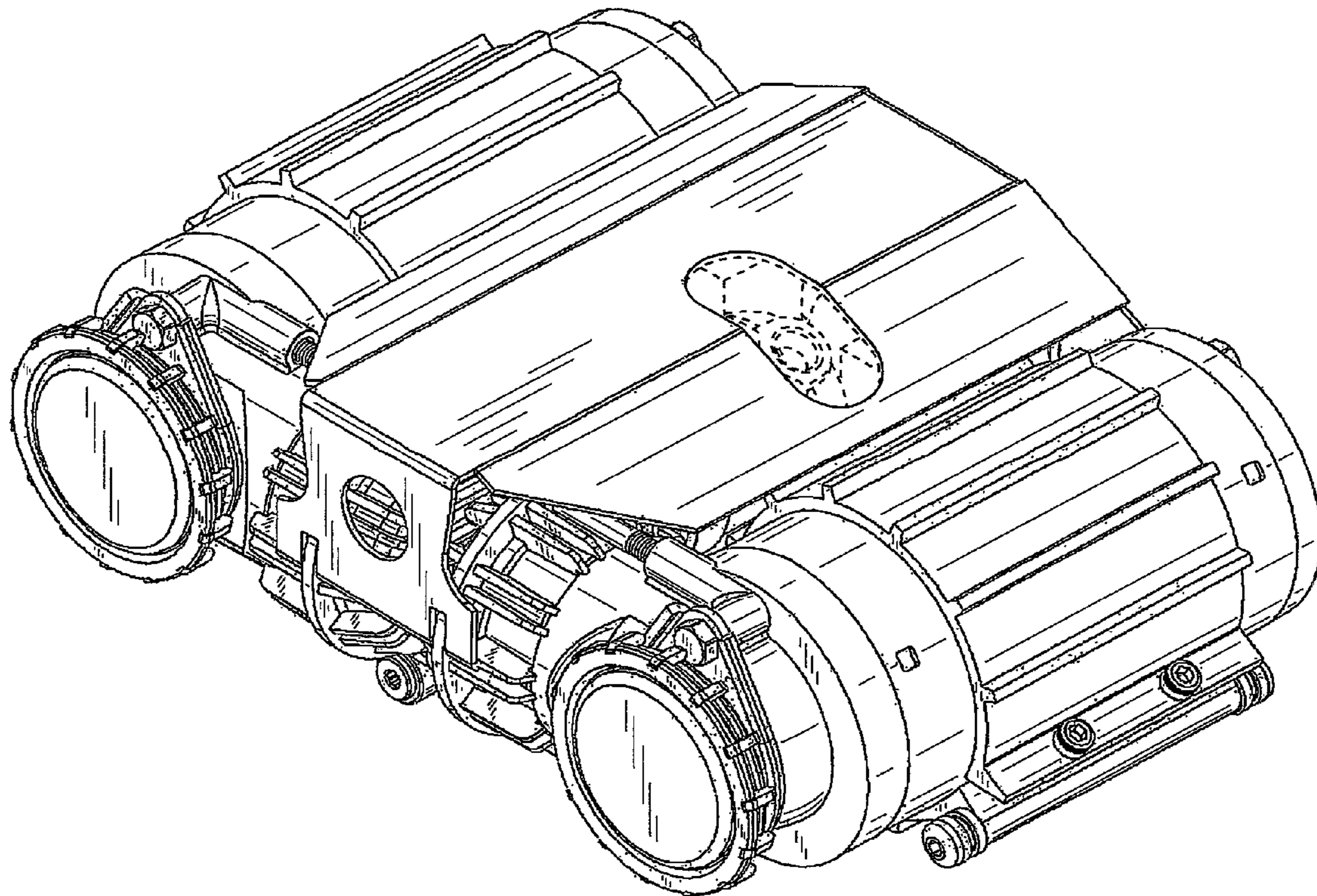
FIG. 6 is a bottom plan view of the compressor of FIG. 1;

FIG. 7 is a right side view of the compressor of FIG. 1; and,

FIG. 8 is a left side view of the compressor of FIG. 1.

The broken lines in FIGS. 1-6 are included for the purpose of illustrating portions of the claimed design that form no part of the claimed design.

1 Claim, 8 Drawing Sheets



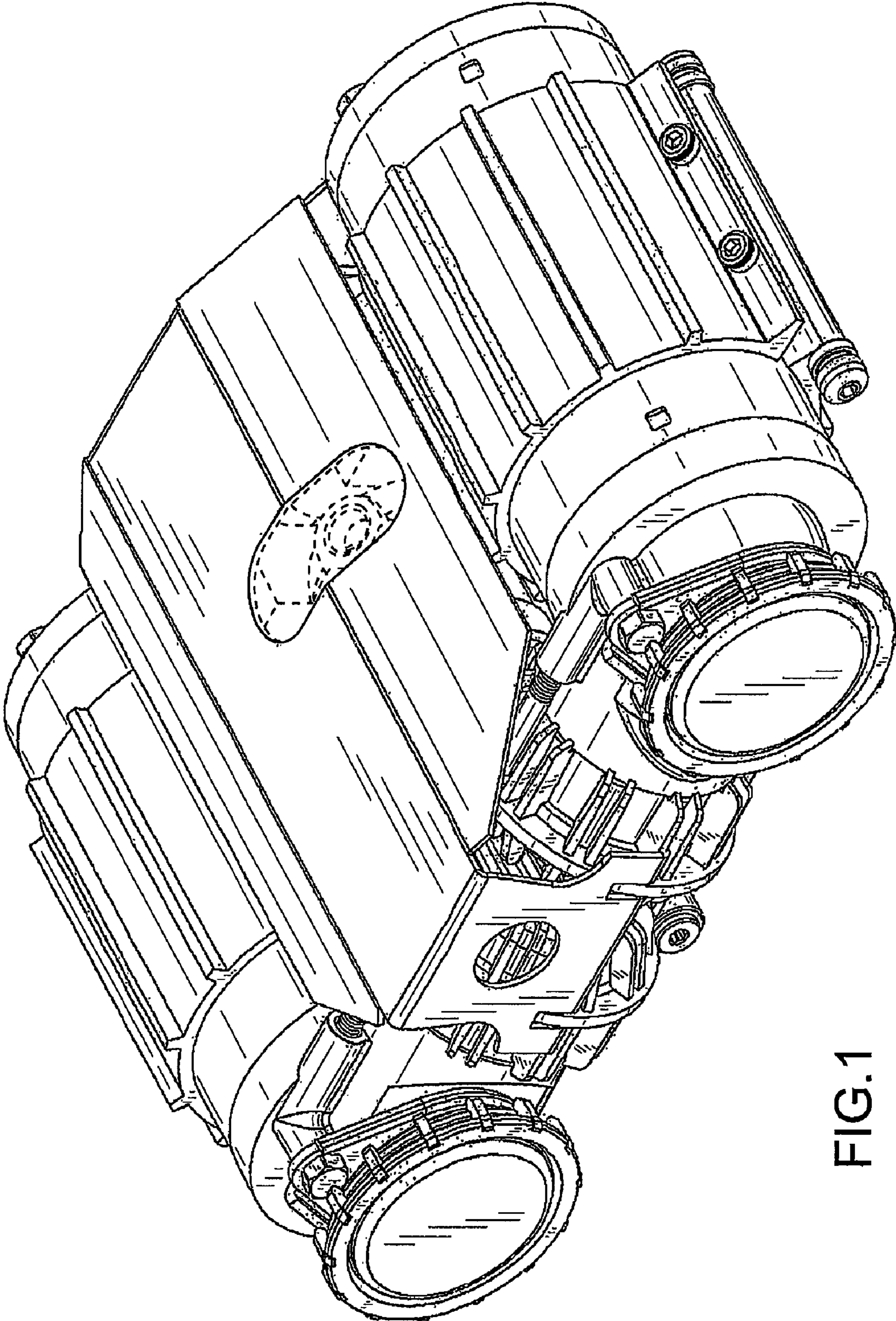


FIG.1

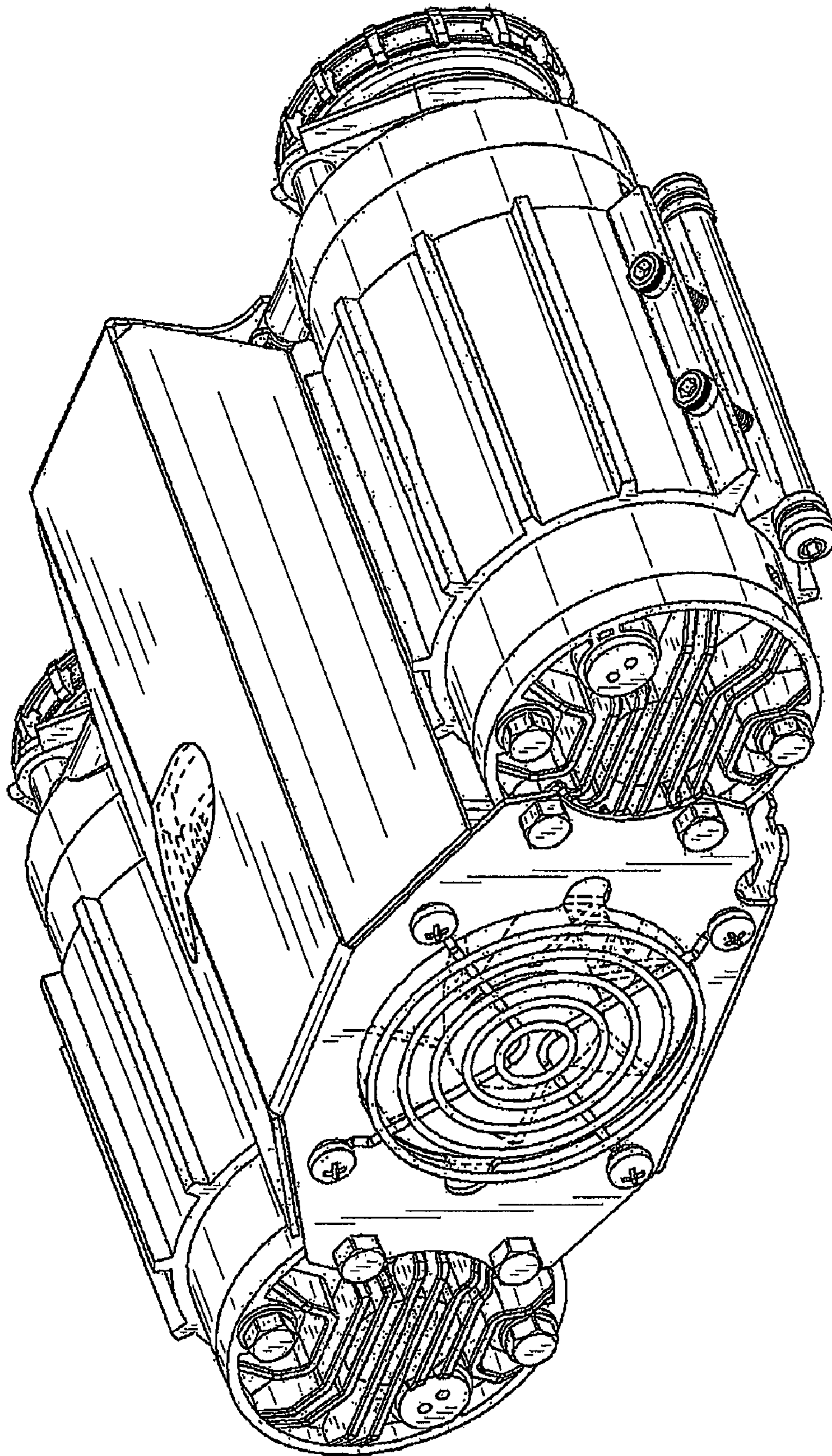


FIG.2

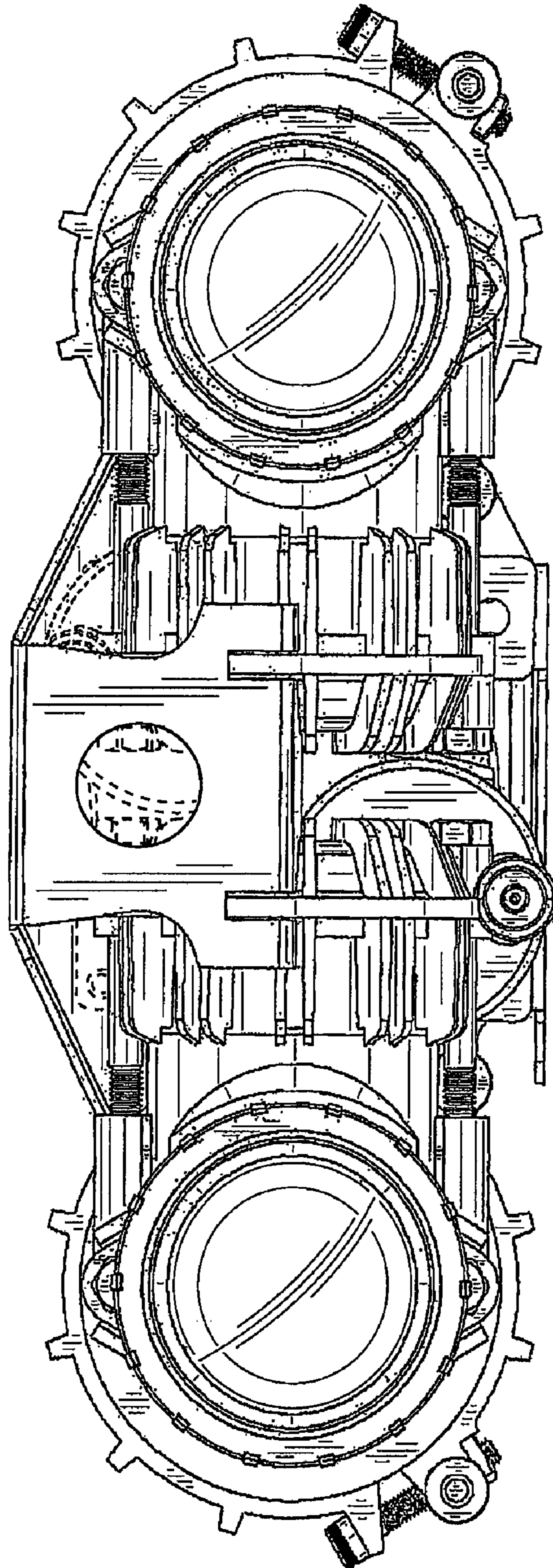


FIG.3

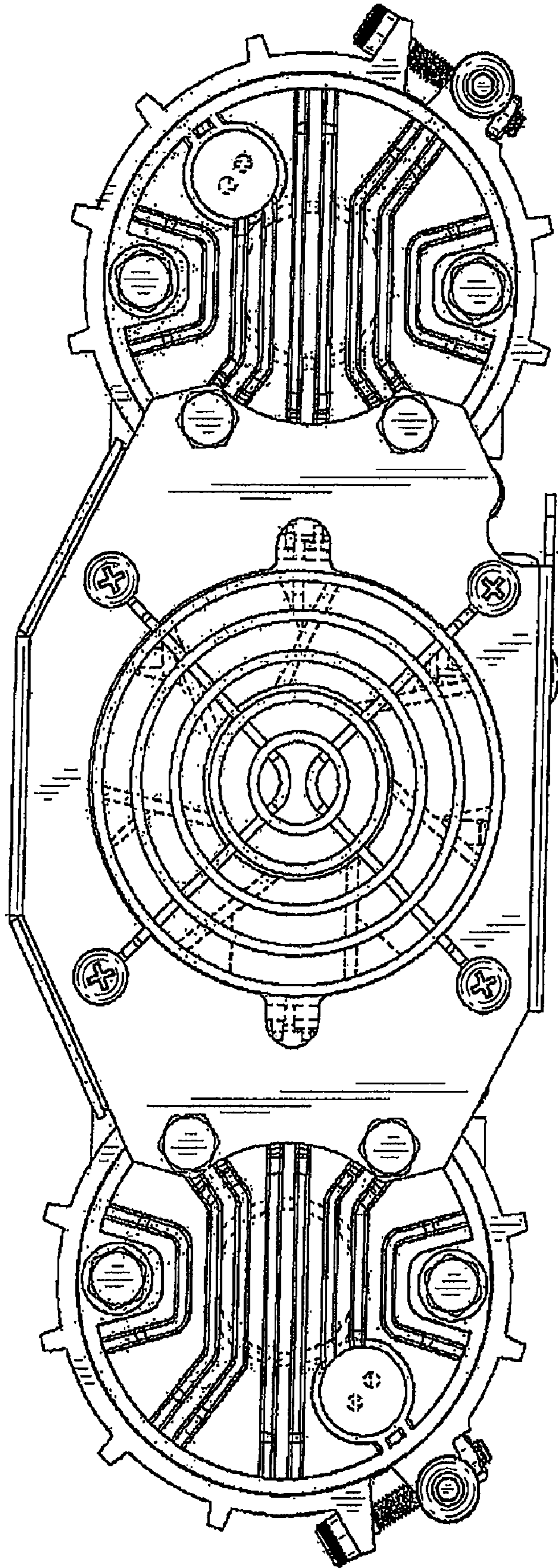


FIG.4

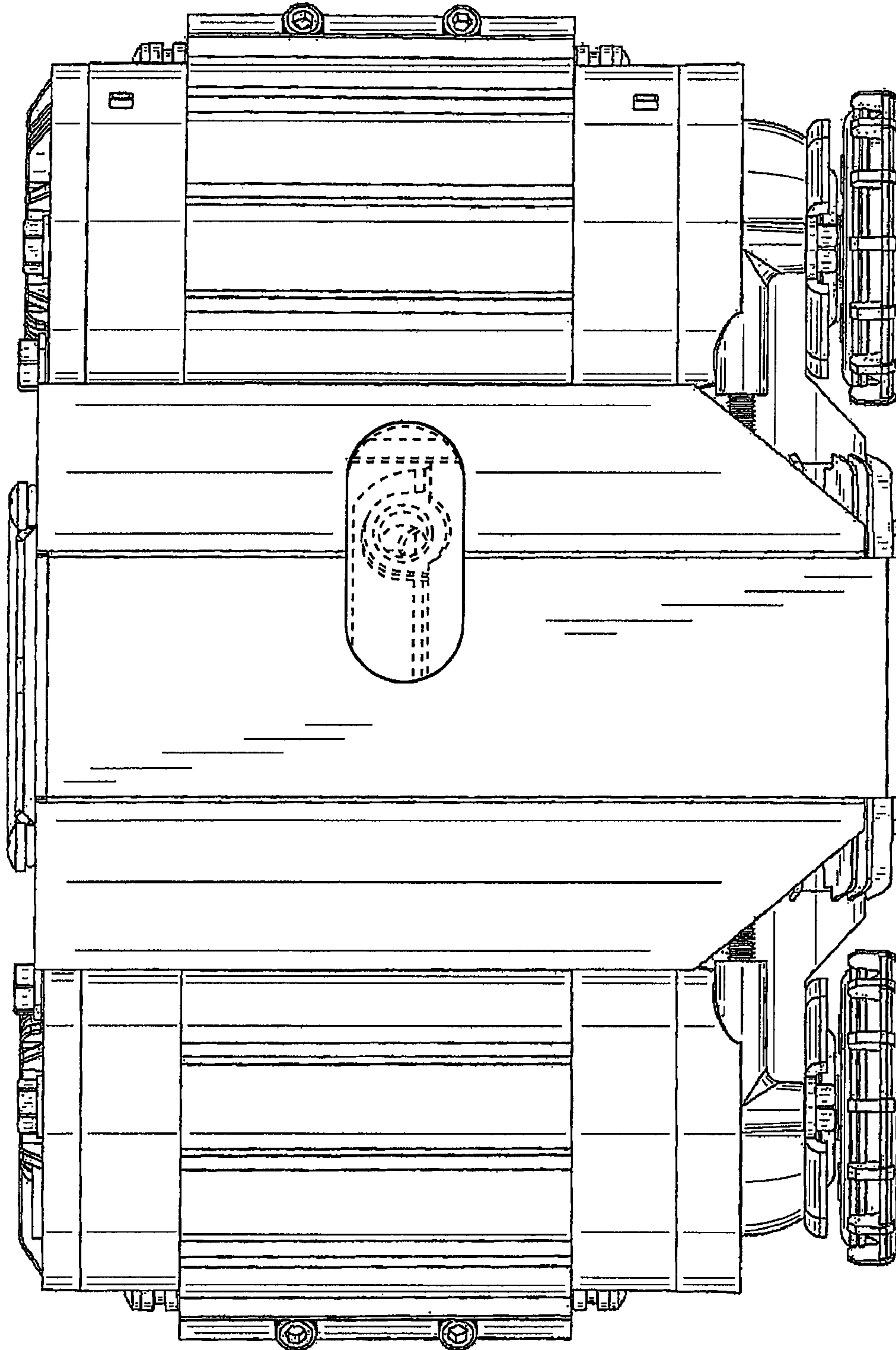


FIG.5

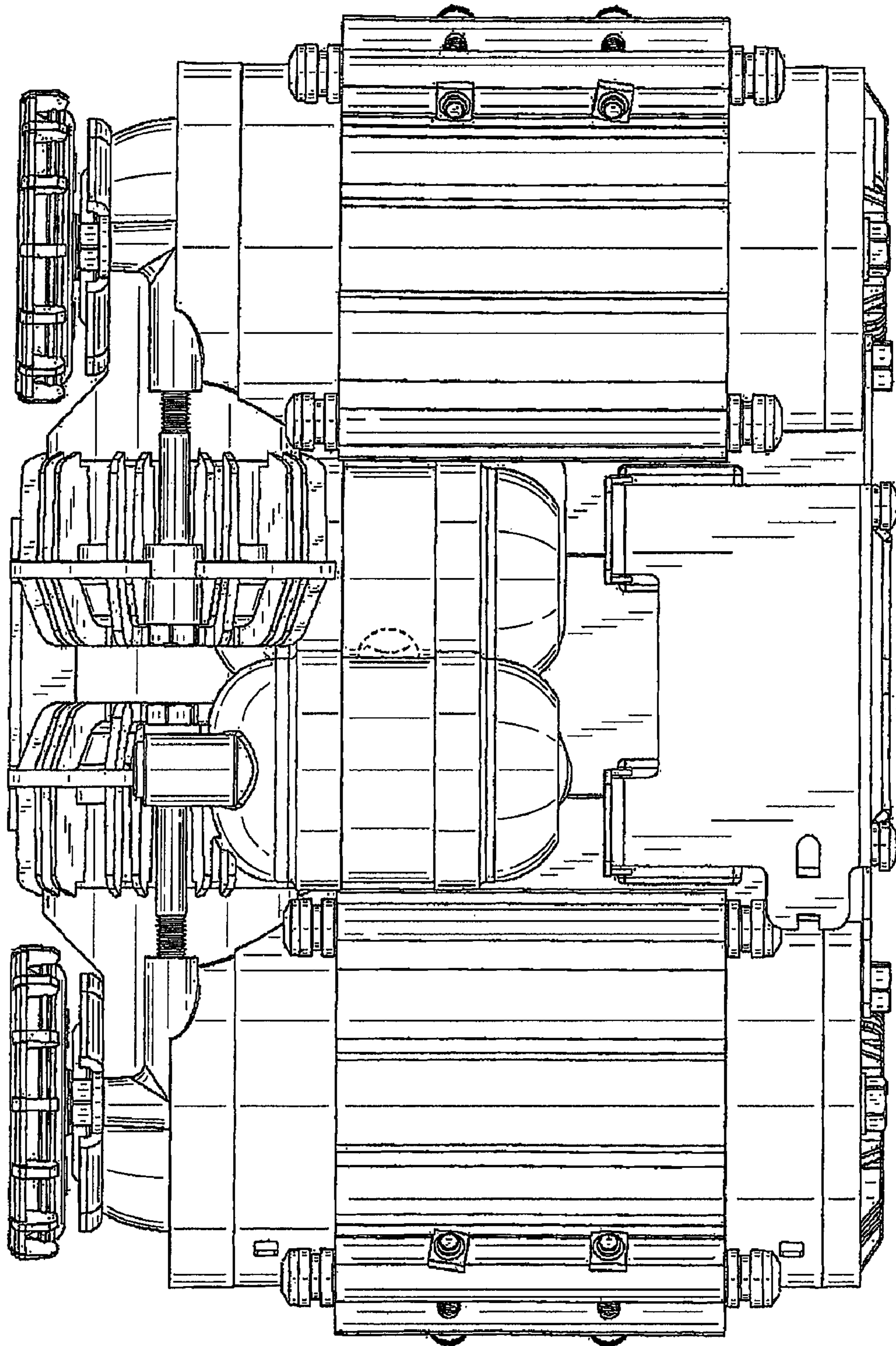


FIG.6

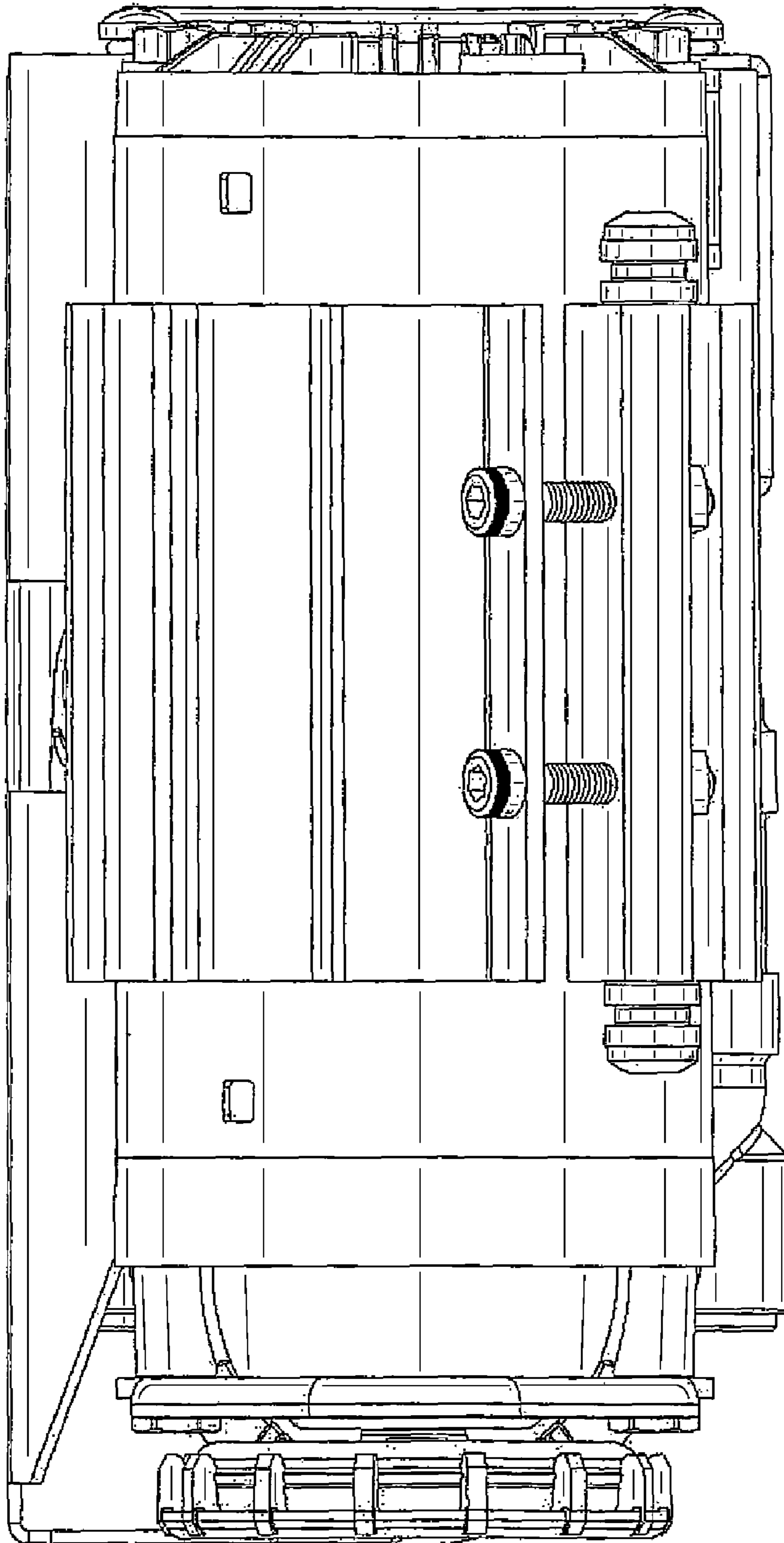


FIG. 7

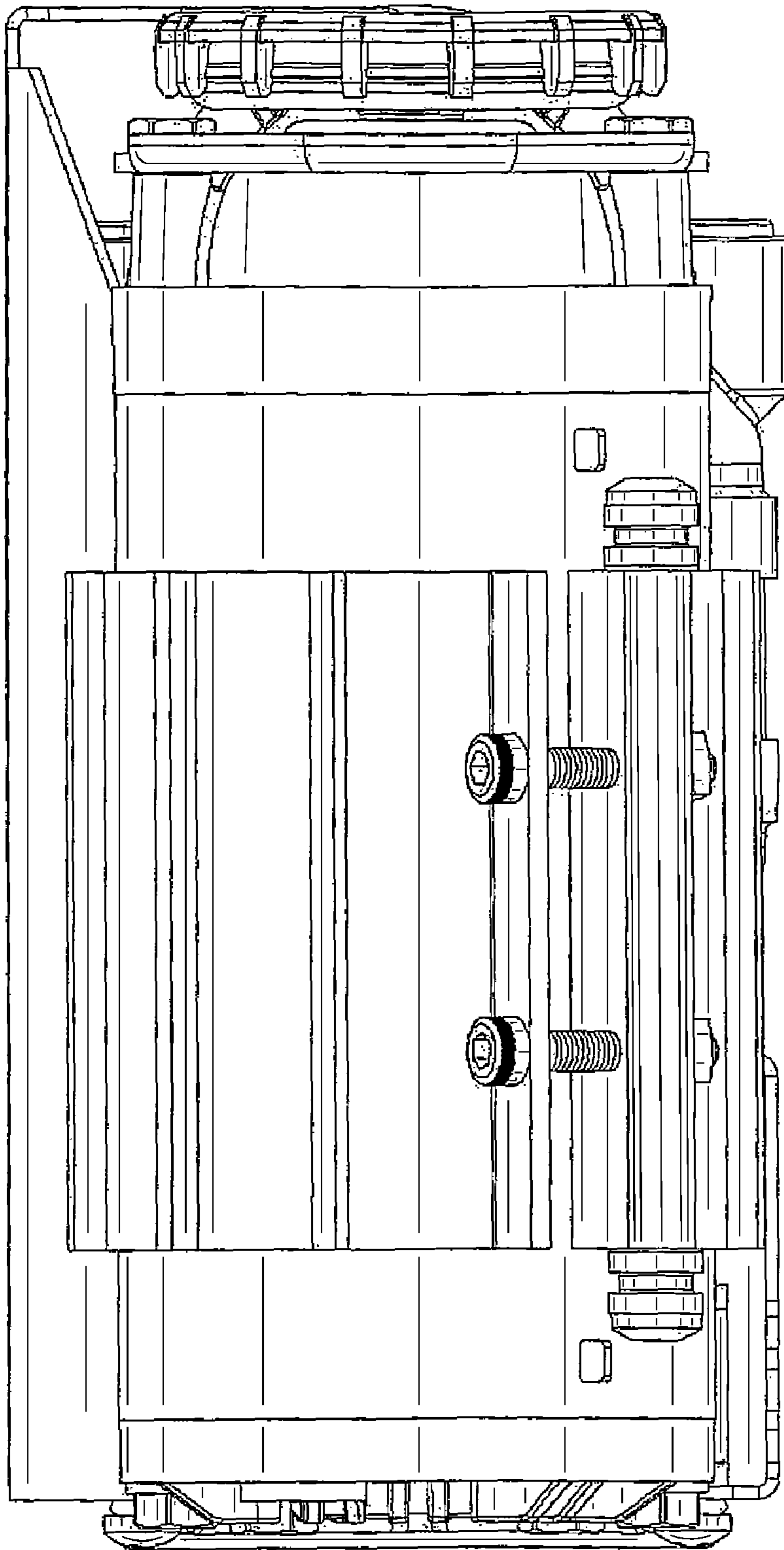


FIG.8