



US00D635586S

(12) **United States Design Patent**
Okamoto

(10) **Patent No.:** **US D635,586 S**

(45) **Date of Patent:** **** Apr. 5, 2011**

(54) **OUTBOARD MOTOR**

(75) Inventor: **Hisashi Okamoto**, Hamamatsu (JP)

(73) Assignee: **Suzuki Motor Corporation**,
Minami-ku, Shizuoka Prefecture (JP)

(**) Term: **14 Years**

(21) Appl. No.: **29/327,742**

(22) Filed: **Nov. 12, 2008**

(30) **Foreign Application Priority Data**

May 12, 2008 (JP) 2008-011693

(51) **LOC (9) Cl.** **15-01**

(52) **U.S. Cl.** **D15/4**

(58) **Field of Classification Search** D15/1-5,
D15/149; 123/195 P; 440/3-4, 88 R, 52;
D12/317

See application file for complete search history.

(56) **References Cited**

U.S. PATENT DOCUMENTS

D332,265 S *	1/1993	Osumi	D15/4
D359,290 S *	6/1995	Takeuchi	D15/1
D412,911 S *	8/1999	Iekura	D15/4
D418,519 S *	1/2000	Iekura	D15/4
D466,907 S *	12/2002	Ohsumi	D15/4

D531,639 S *	11/2006	Okamoto	D15/4
D531,640 S *	11/2006	Okamoto	D15/4
D549,240 S *	8/2007	Okamoto	D15/4
D584,317 S *	1/2009	Okamoto	D15/4
D611,062 S *	3/2010	Okamoto	D15/4
D611,063 S *	3/2010	Okamoto	D15/4

* cited by examiner

Primary Examiner — T. Chase Nelson

Assistant Examiner — Ania K Dworzecka

(74) *Attorney, Agent, or Firm* — Dana M. Gordon; Foley Hoag LLP

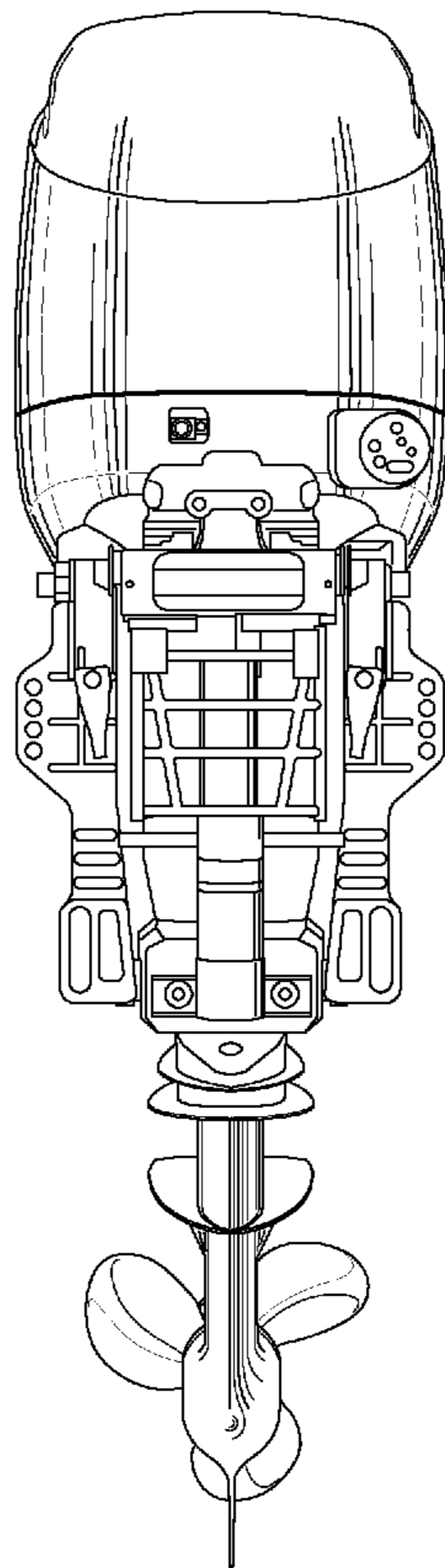
(57) **CLAIM**

The ornamental design for a outboard motor, as shown and described.

DESCRIPTION

FIG. 1 is a front elevational view of an outboard motor showing my new design;
FIG. 2 is a front perspective view of the right side thereof;
FIG. 3 is a right side elevational view thereof;
FIG. 4 is a rear perspective view of the right side thereof;
FIG. 5 is a rear elevational view thereof;
FIG. 6 is a rear perspective view of the left side thereof;
FIG. 7 is a left side elevational view thereof;
FIG. 8 is a front perspective view of the left side thereof;
FIG. 9 is a top view thereof; and,
FIG. 10 is a bottom view thereof.

1 Claim, 10 Drawing Sheets



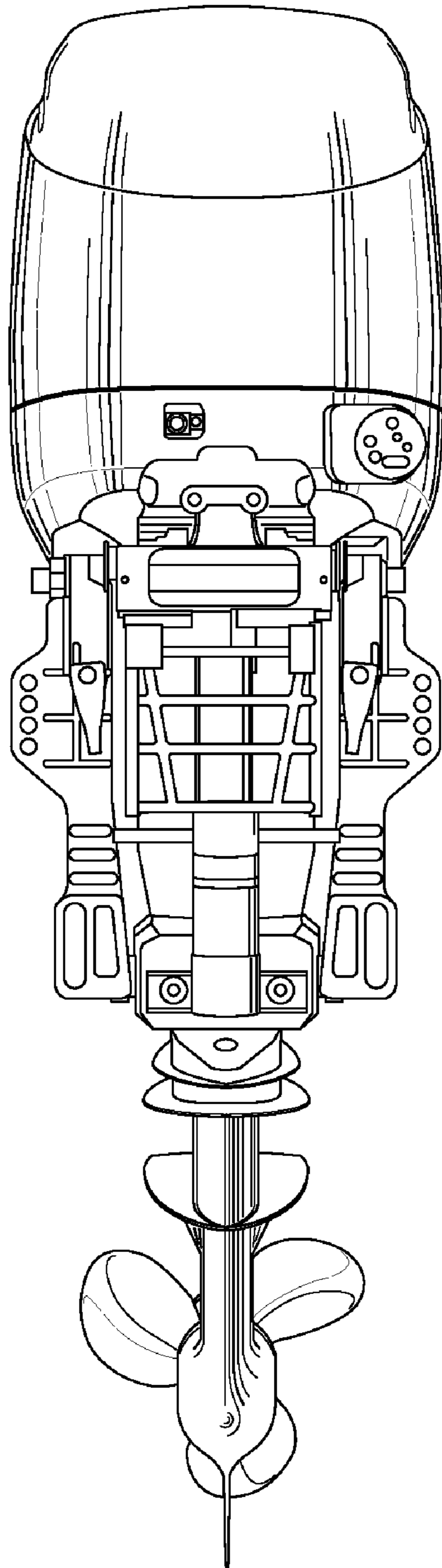


Fig. 1

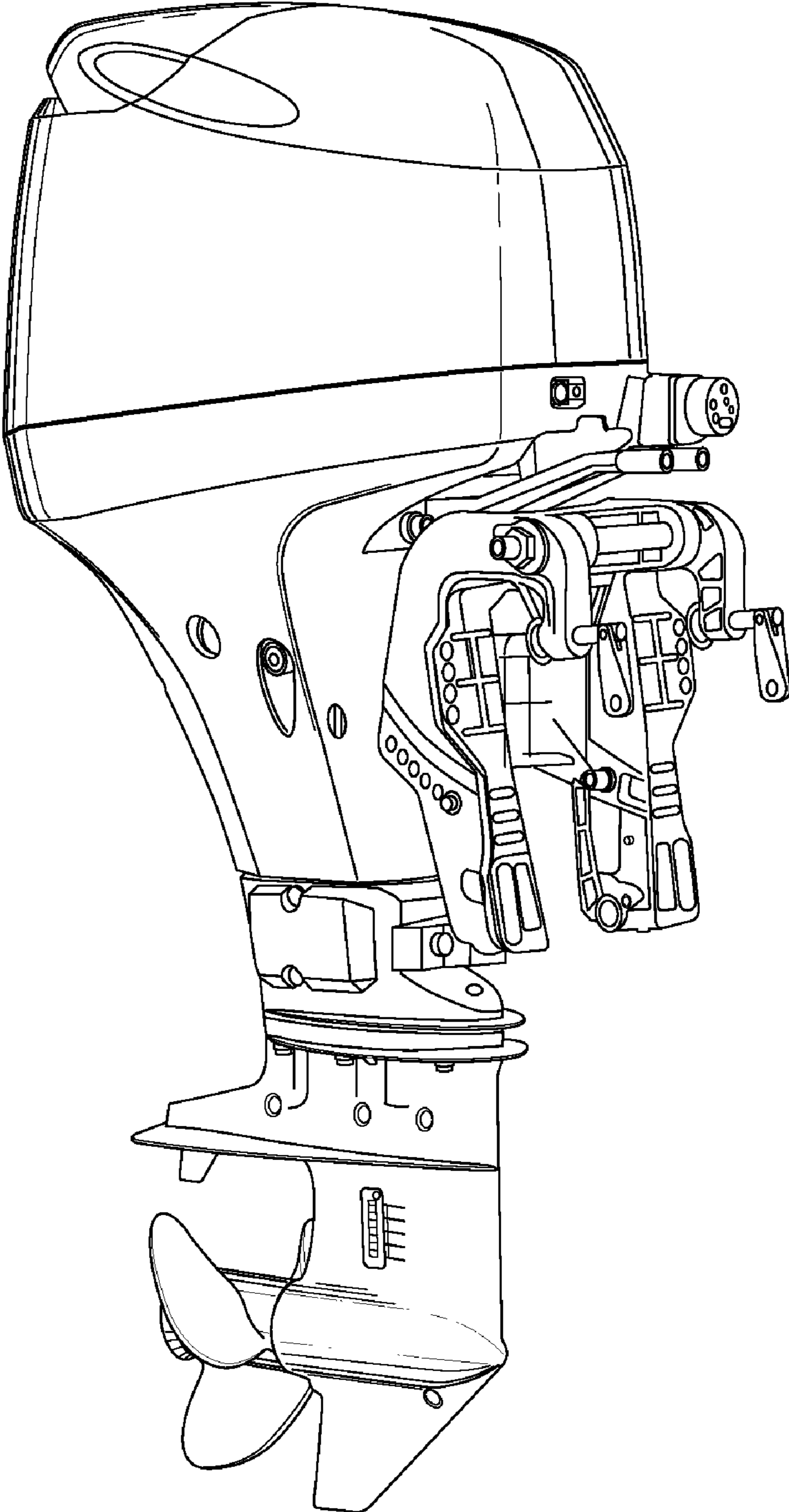


Fig. 2

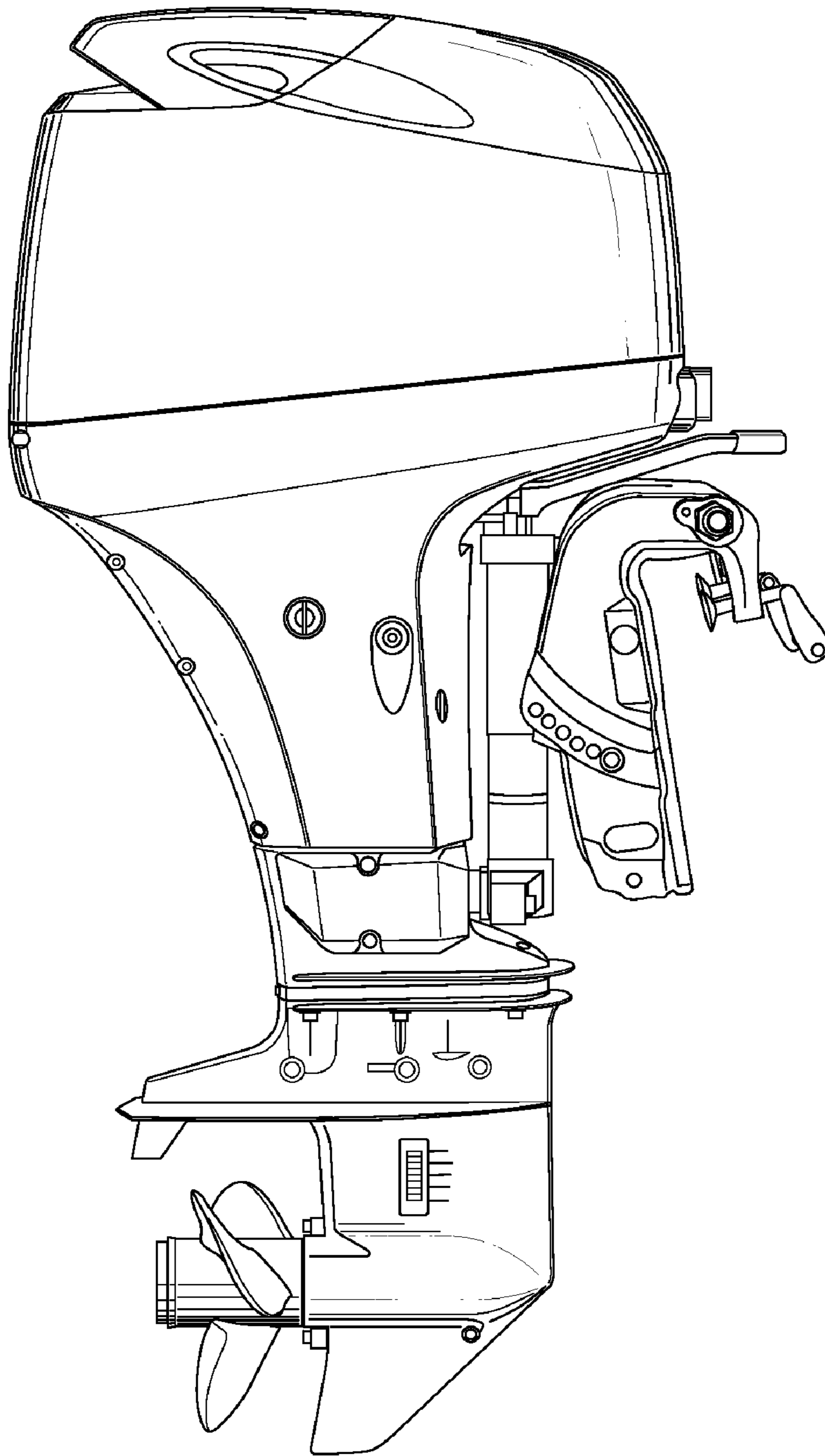


Fig. 3

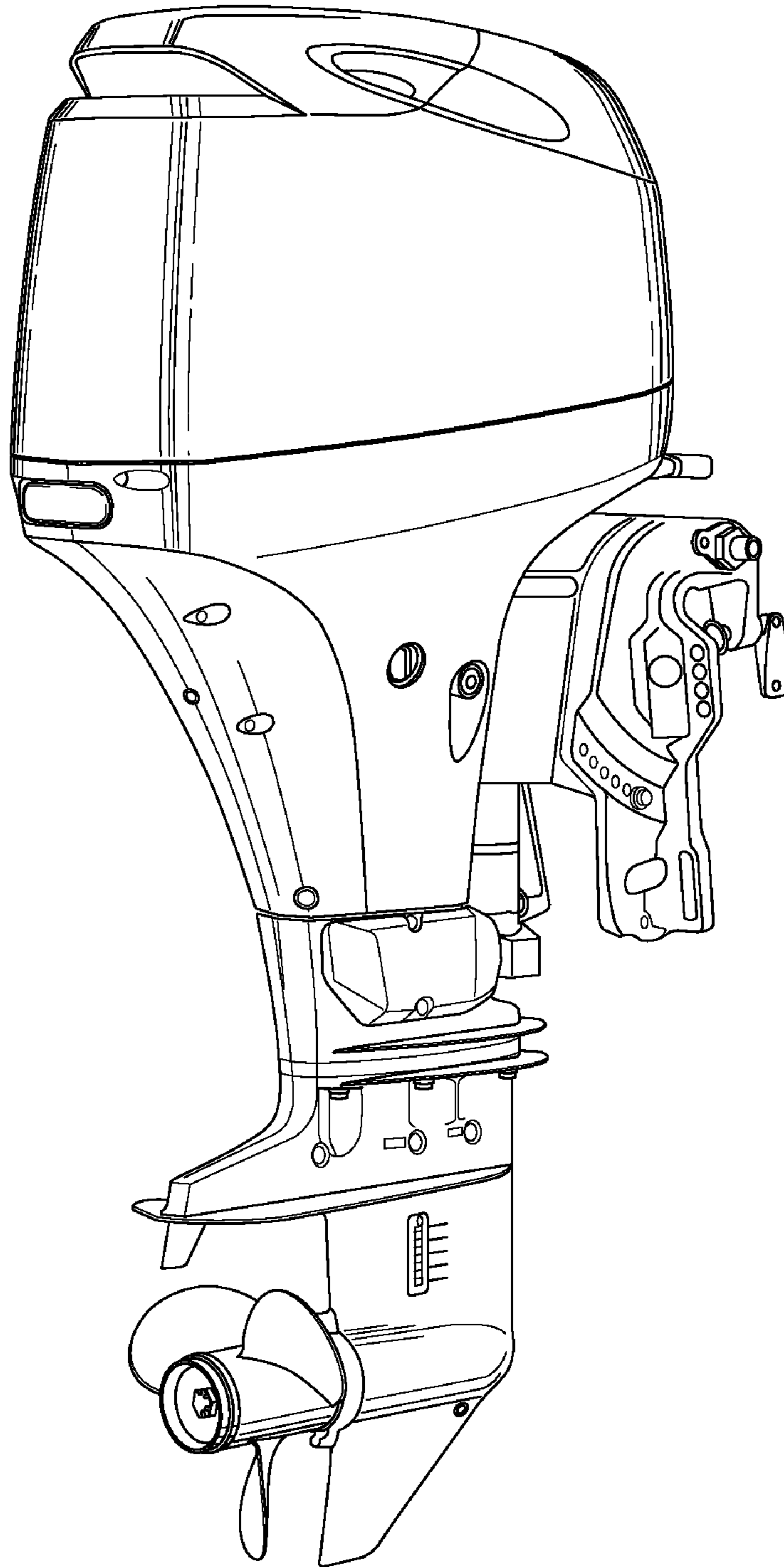


Fig. 4

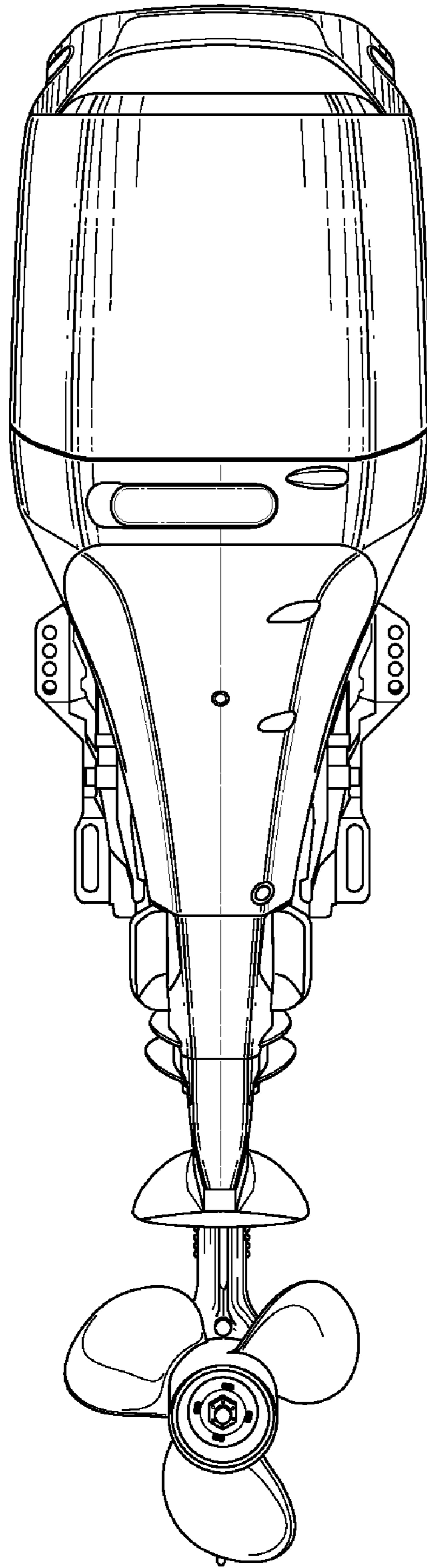


Fig. 5

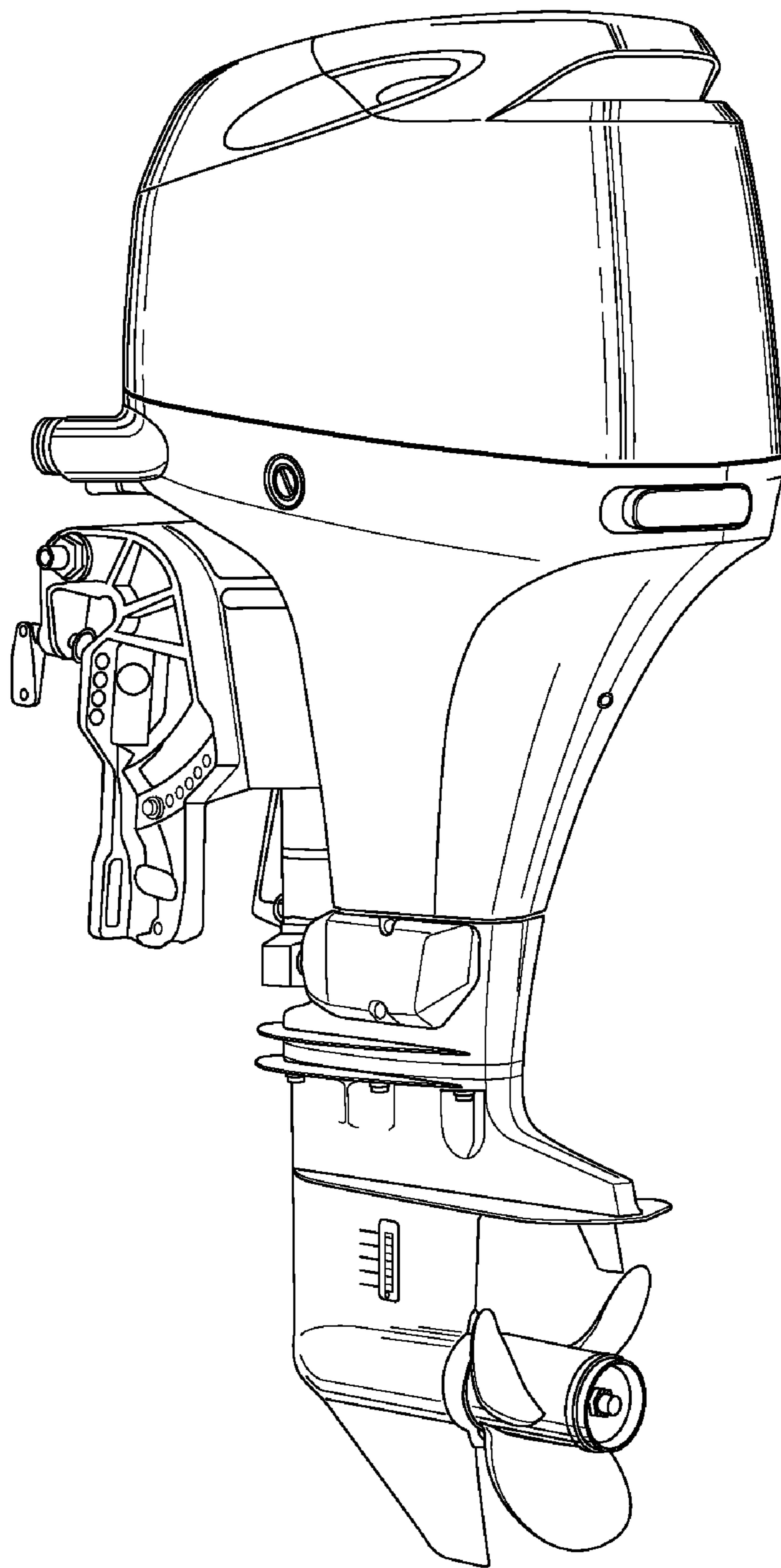


Fig. 6

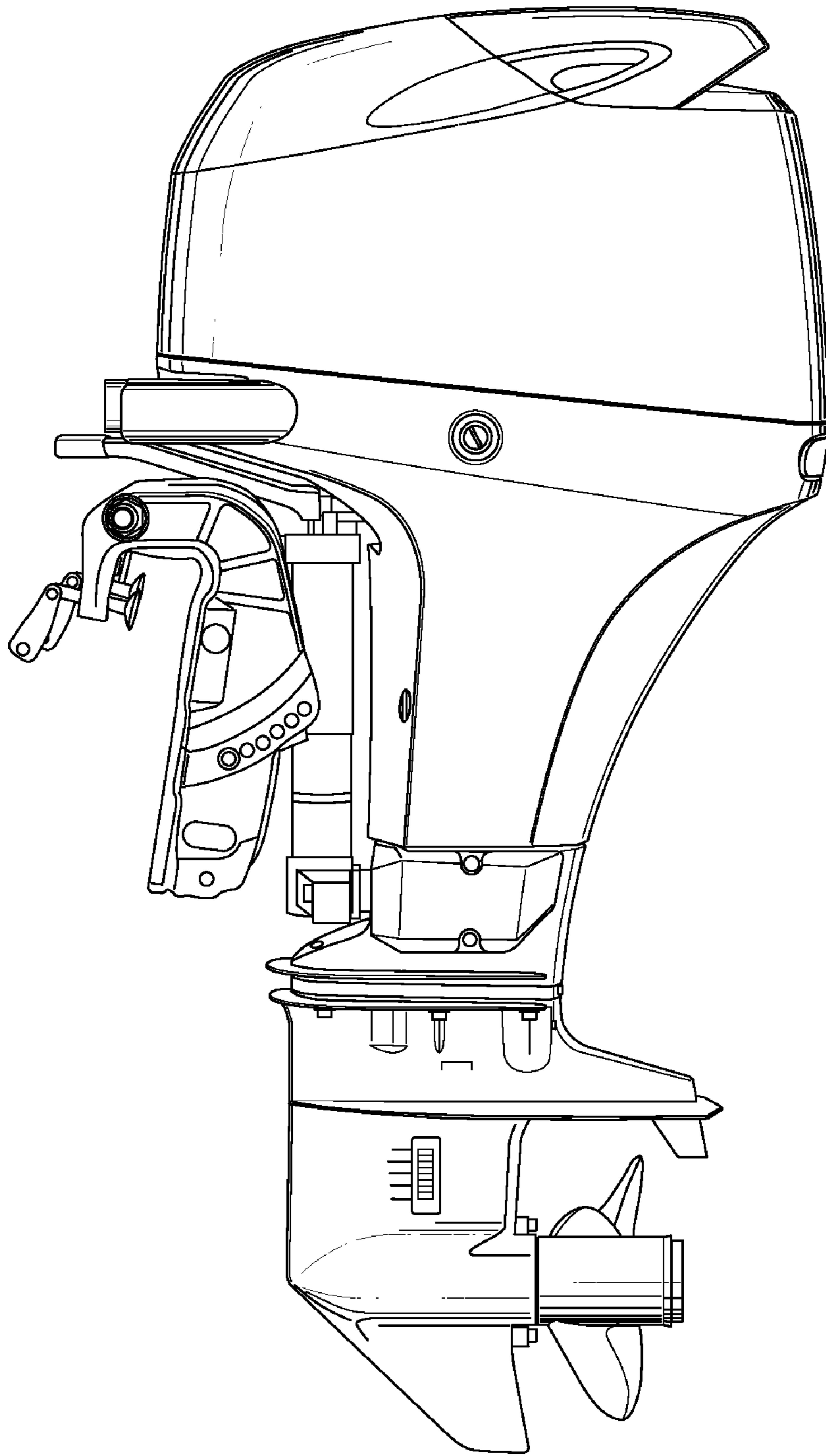


Fig. 7

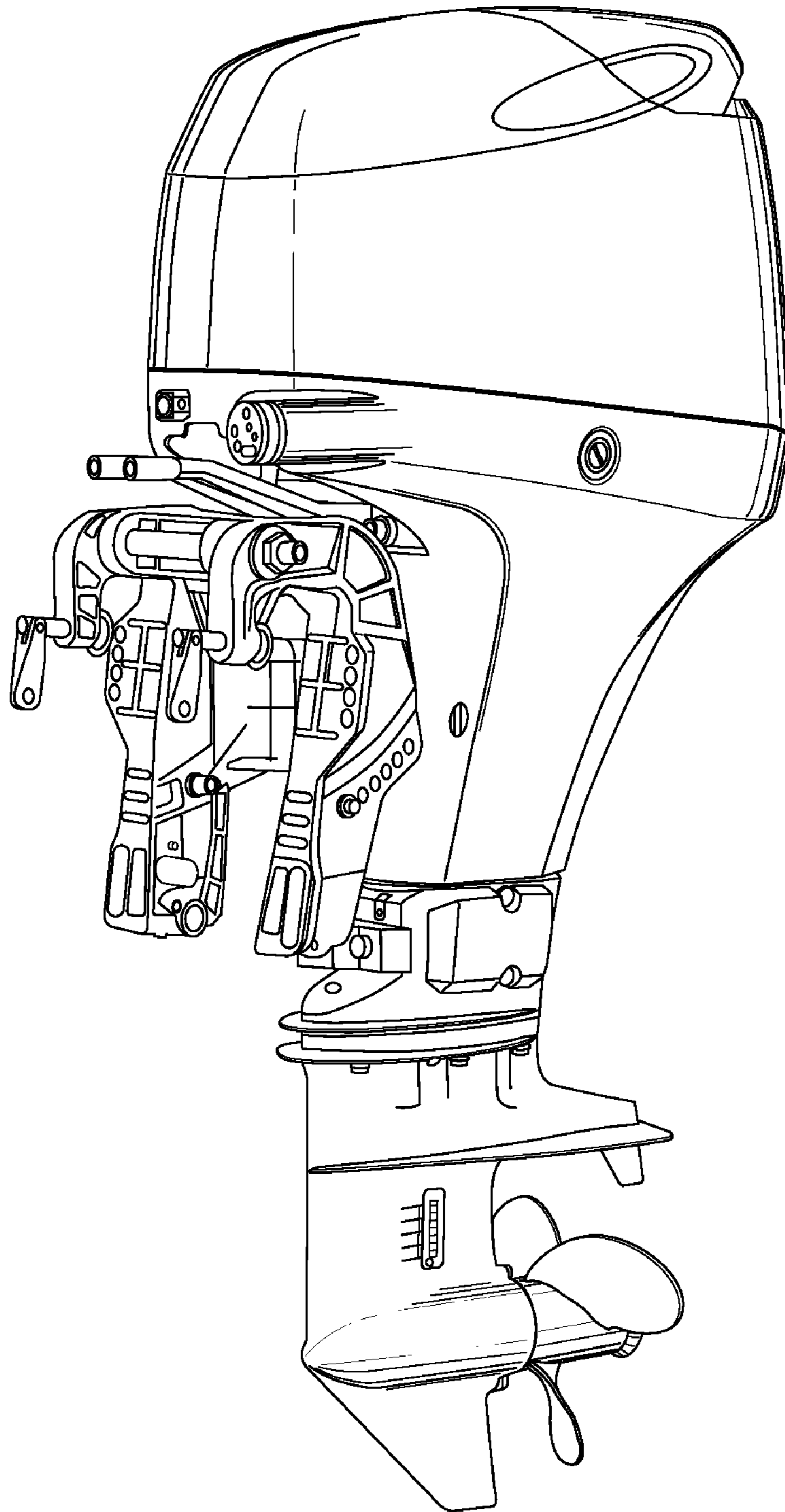


Fig. 8

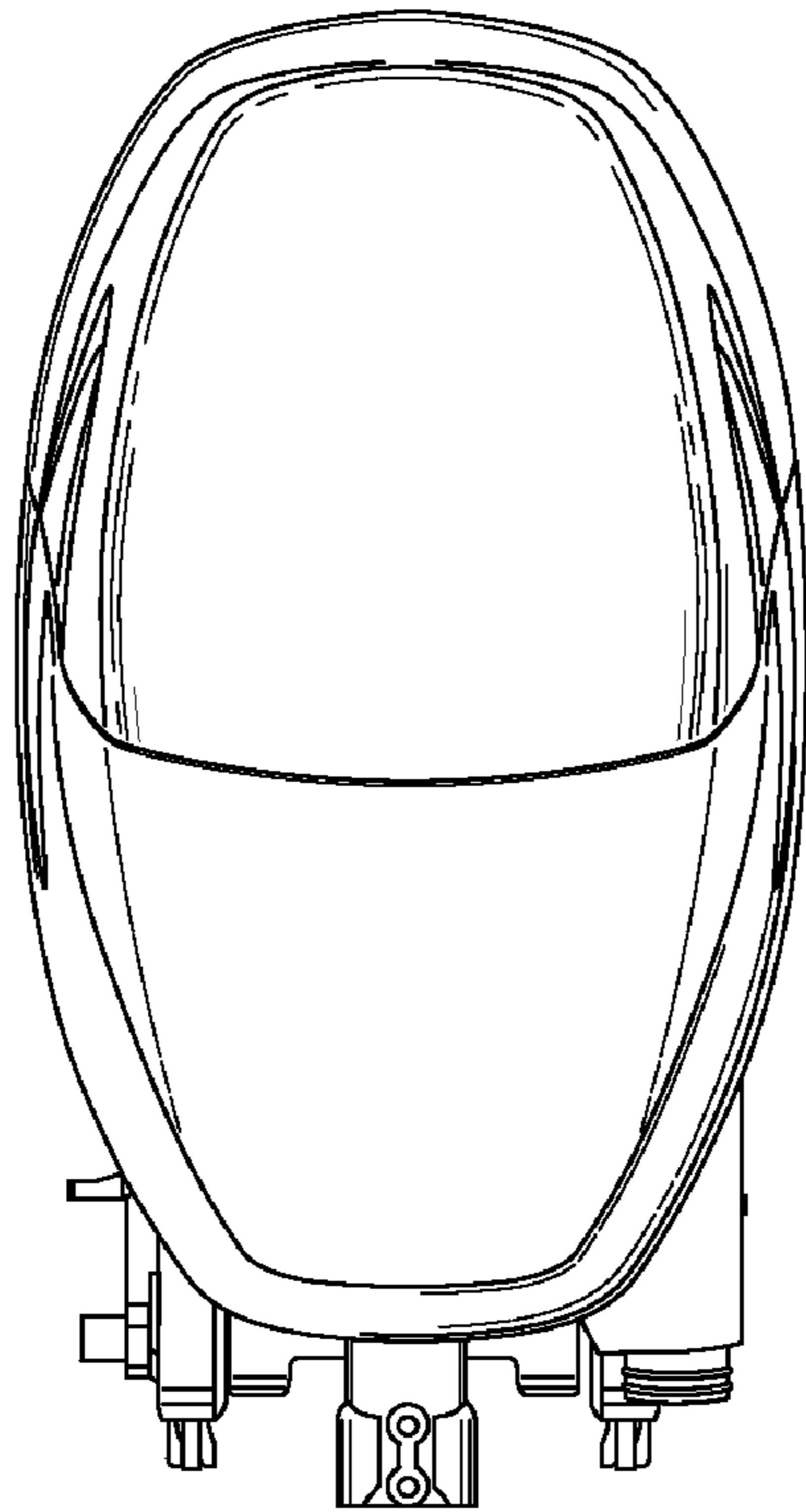


Fig. 9

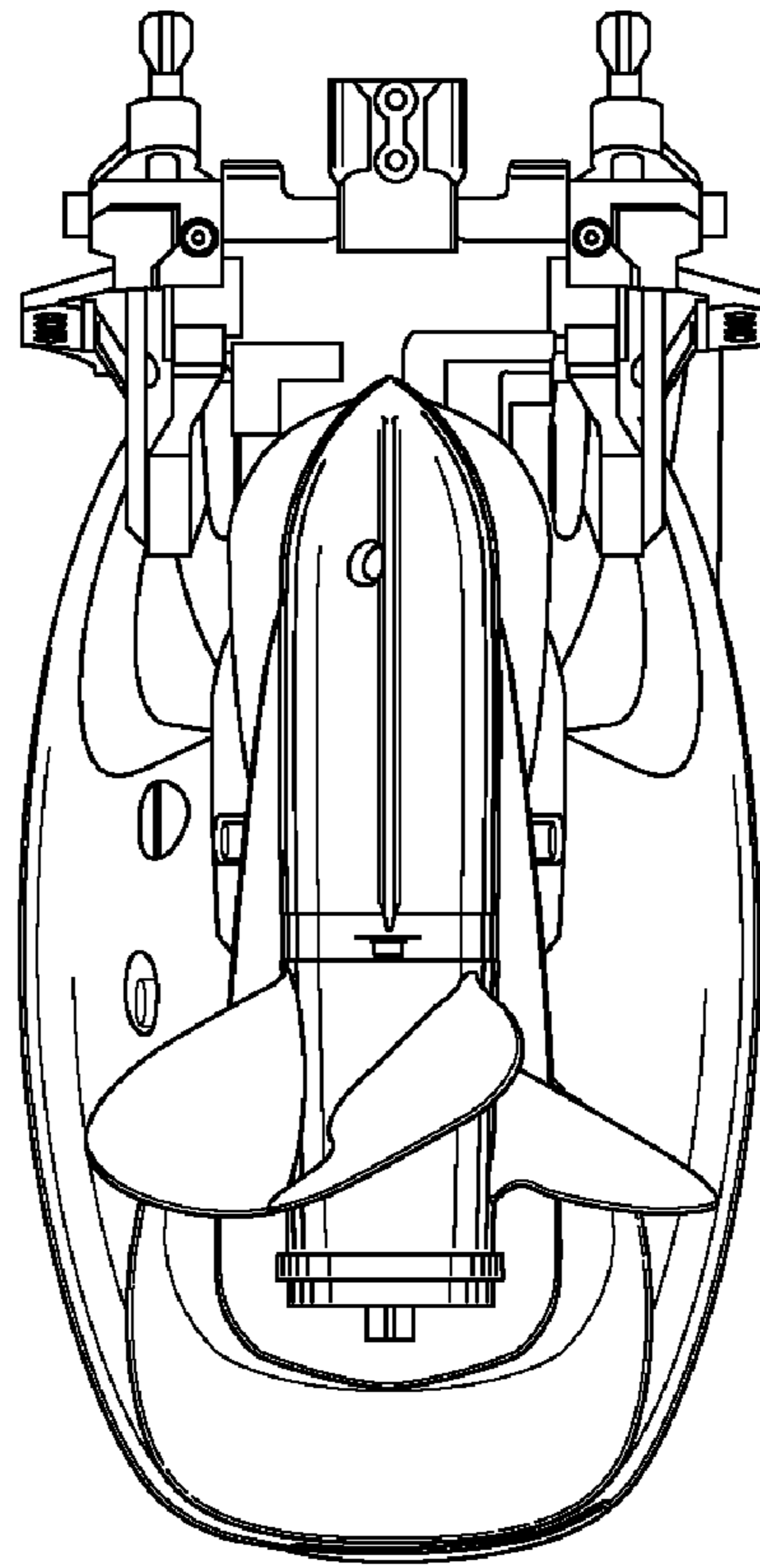


Fig. 10