



US00D635585S

(12) **United States Design Patent**
Harmelink

(10) **Patent No.:** **US D635,585 S**

(45) **Date of Patent:** **** Apr. 5, 2011**

(54) **ENGINE**

(75) **Inventor:** **Wesley Kyle Harmelink**, Travelers Rest, SC (US)

(73) **Assignee:** **Liquid Composition Technology, LLC**, Travellers Rest, SC (US)

(**) **Term:** **14 Years**

(21) **Appl. No.:** **29/341,545**

(22) **Filed:** **Aug. 7, 2009**

Related U.S. Application Data

(63) Continuation-in-part of application No. 12/283,229, filed on Sep. 10, 2008.

(51) **LOC (9) Cl.** **15-01**

(52) **U.S. Cl.** **D15/1**

(58) **Field of Classification Search** D15/1, D15/2, 3, 5, 6, 14, 17, 149; 123/22, 41.34, 123/51 A, 606 R, 52.1, 50 A, 50 B, 54.1, 123/54.2, 54.4, 54.5, 65 R, 195 R, 195 HC, 123/657, 311

See application file for complete search history.

(56) **References Cited**

U.S. PATENT DOCUMENTS

3,498,280	A	3/1970	West et al.	123/55
4,294,027	A	10/1981	Edwards	37/259
D282,071	S *	1/1986	Nakamura	D15/1
D294,832	S *	3/1988	Itou et al.	D15/1
4,835,405	A	5/1989	Clancey et al.	290/1 A
4,890,595	A	1/1990	Fischer	123/556
6,427,364	B1	8/2002	Heismann et al.	37/219
D521,529	S *	5/2006	Wu et al.	D15/1

7,096,859	B2	8/2006	Hamisch et al.	123/543
7,284,508	B2	10/2007	Dopke et al.	123/41.56
7,482,706	B2	1/2009	Uchimi et al.	290/1 A
D605,661	S *	12/2009	Koehl	D15/1
D609,720	S *	2/2010	Buck	D15/1
D612,402	S *	3/2010	Dai et al.	D15/1
2006/0021592	A1	2/2006	Ryczek et al.	123/184.21

* cited by examiner

Primary Examiner — T. Chase Nelson

Assistant Examiner — Ania K Dworzecka

(74) *Attorney, Agent, or Firm* — J. Bennett Mullinax

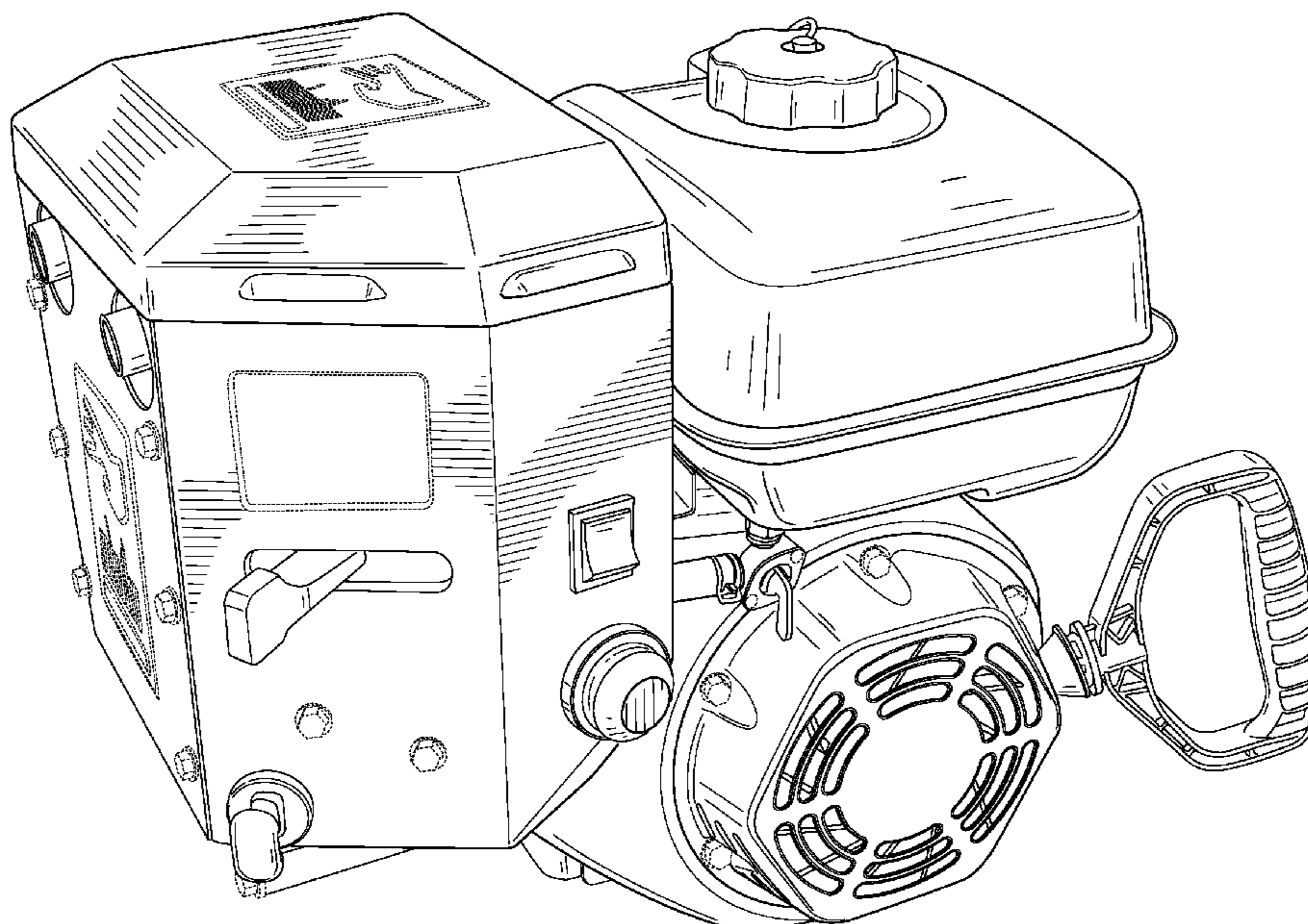
(57) **CLAIM**

The ornamental design for an engine, as shown and described.

DESCRIPTION

FIG. 1 is a front perspective view of the engine according to the present design;
 FIG. 2 is a front elevation view of the engine as shown in FIG. 1;
 FIG. 3 is a rear elevation view of the engine as shown in FIG. 1;
 FIG. 4 is a left side elevation view of the engine as shown in FIG. 1;
 FIG. 5 is a right side elevation view of the engine as shown in FIG. 1;
 FIG. 6 is a top plan view of the engine as shown in FIG. 1; and,
 FIG. 7 is a bottom plan view of the engine as shown in FIG. 1.
 The features shown in broken lines in FIGS. 1, 2, 3, 4, 5, 6 and 7 depict portions of the engine that form no part of the claimed design.

1 Claim, 7 Drawing Sheets



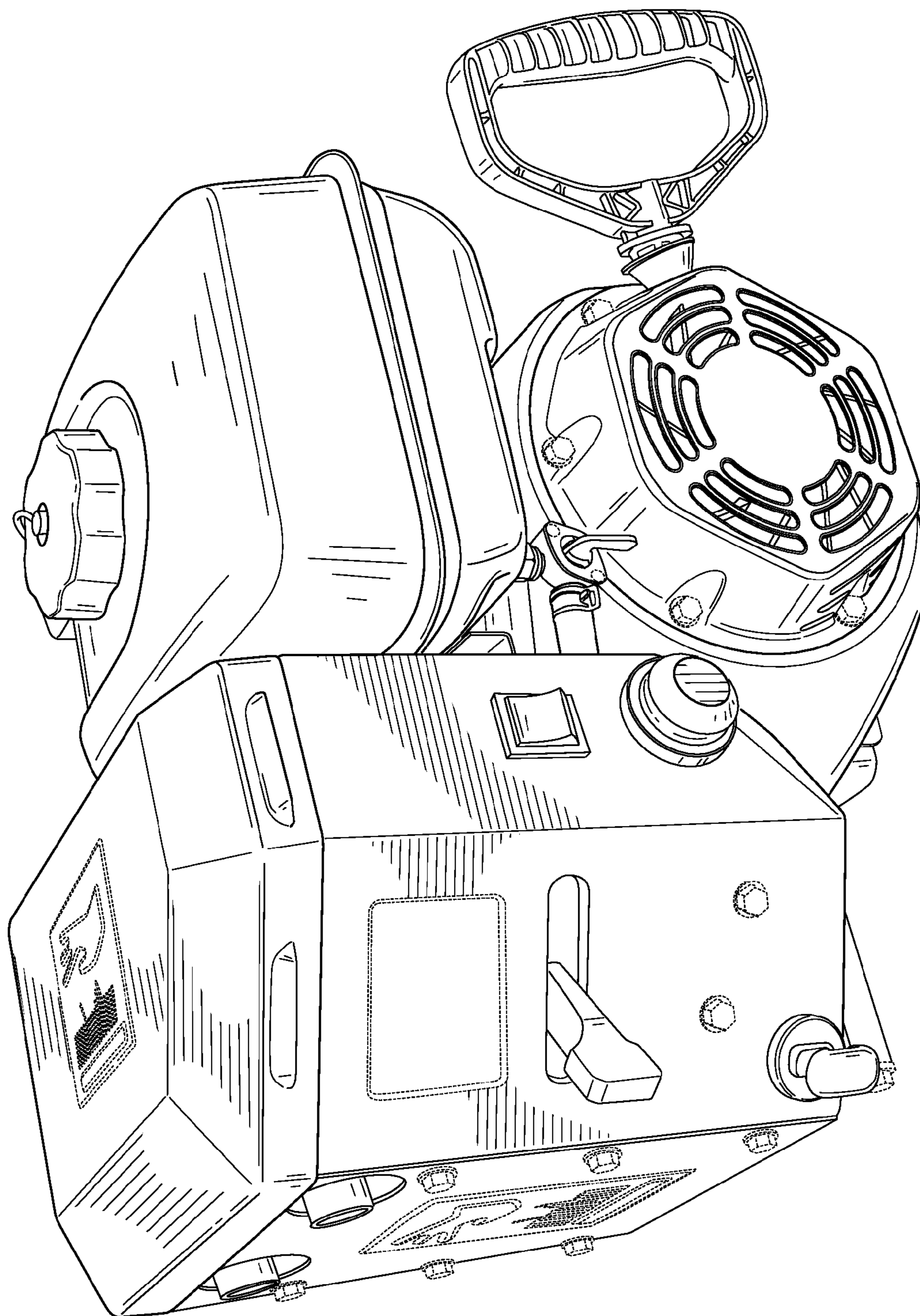


FIG. 1

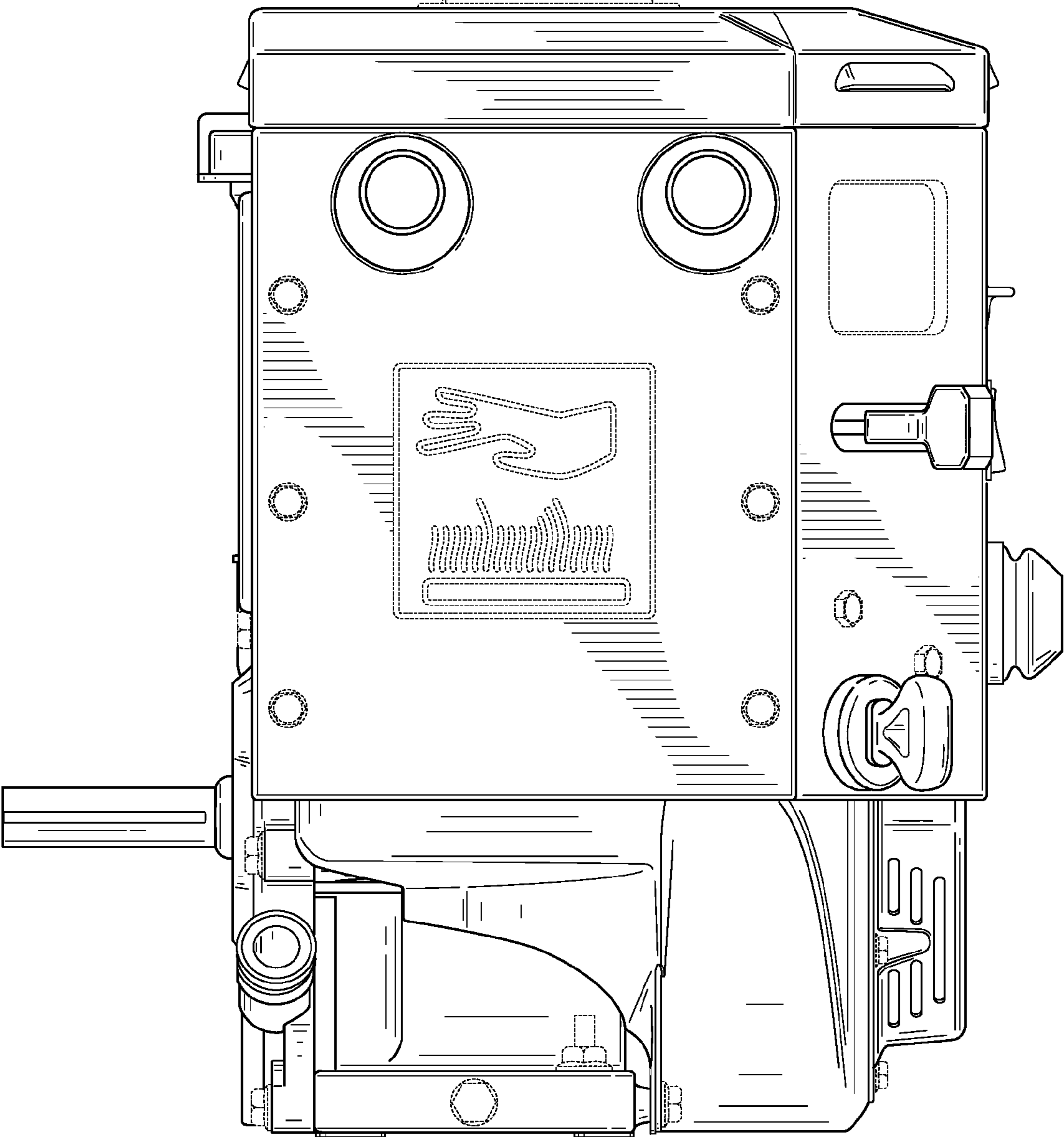


FIG. 2

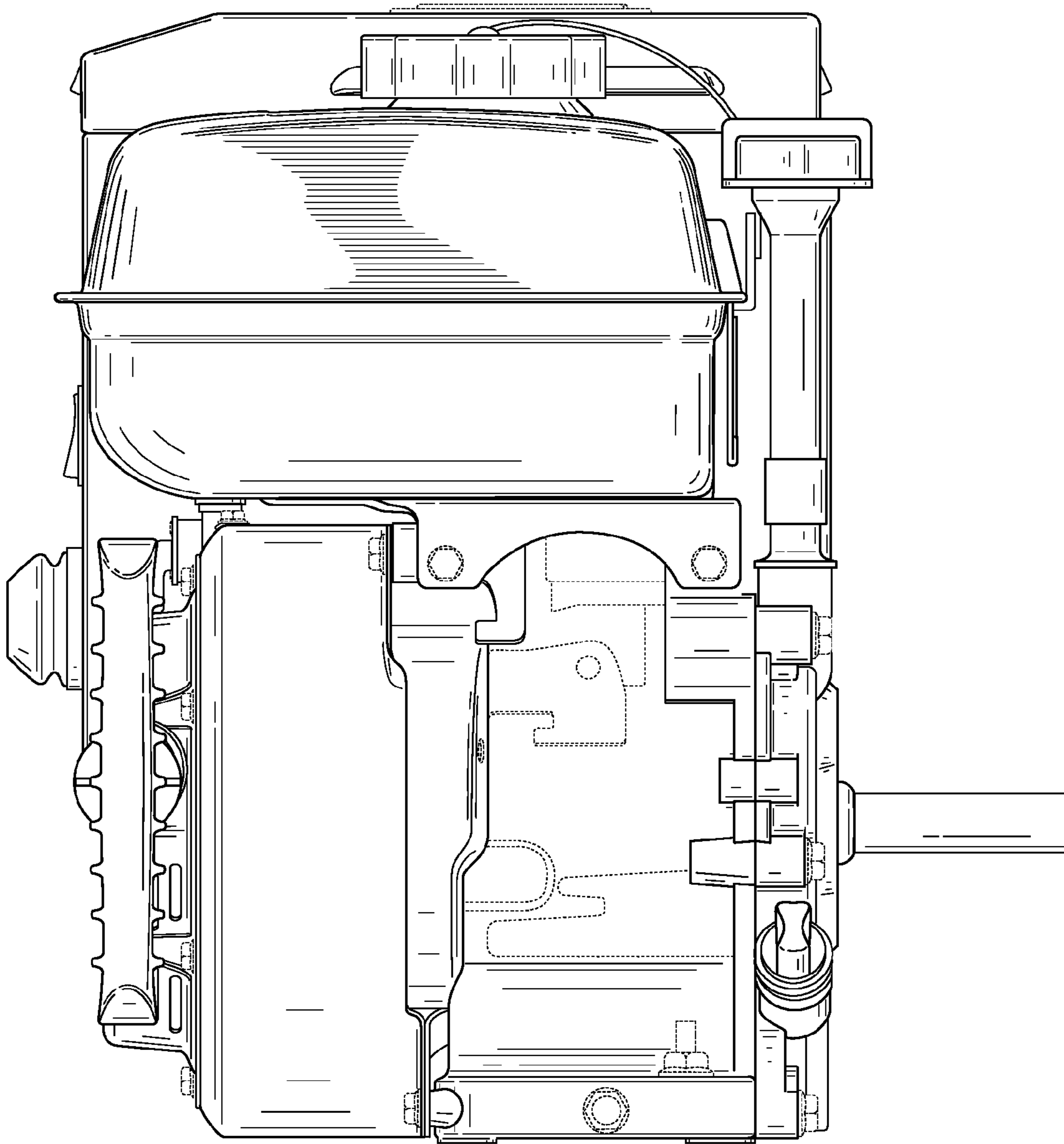


FIG. 3

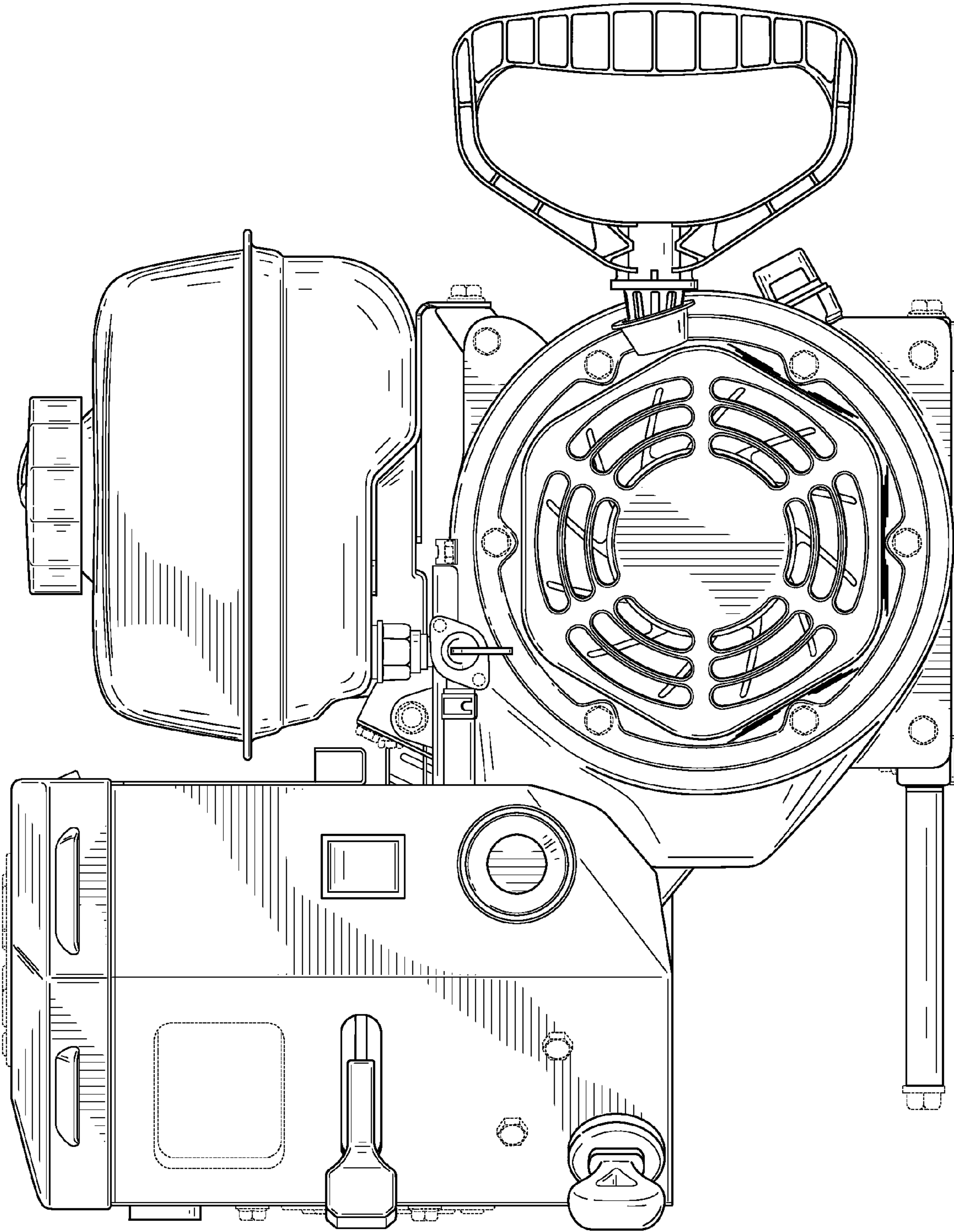


FIG. 4

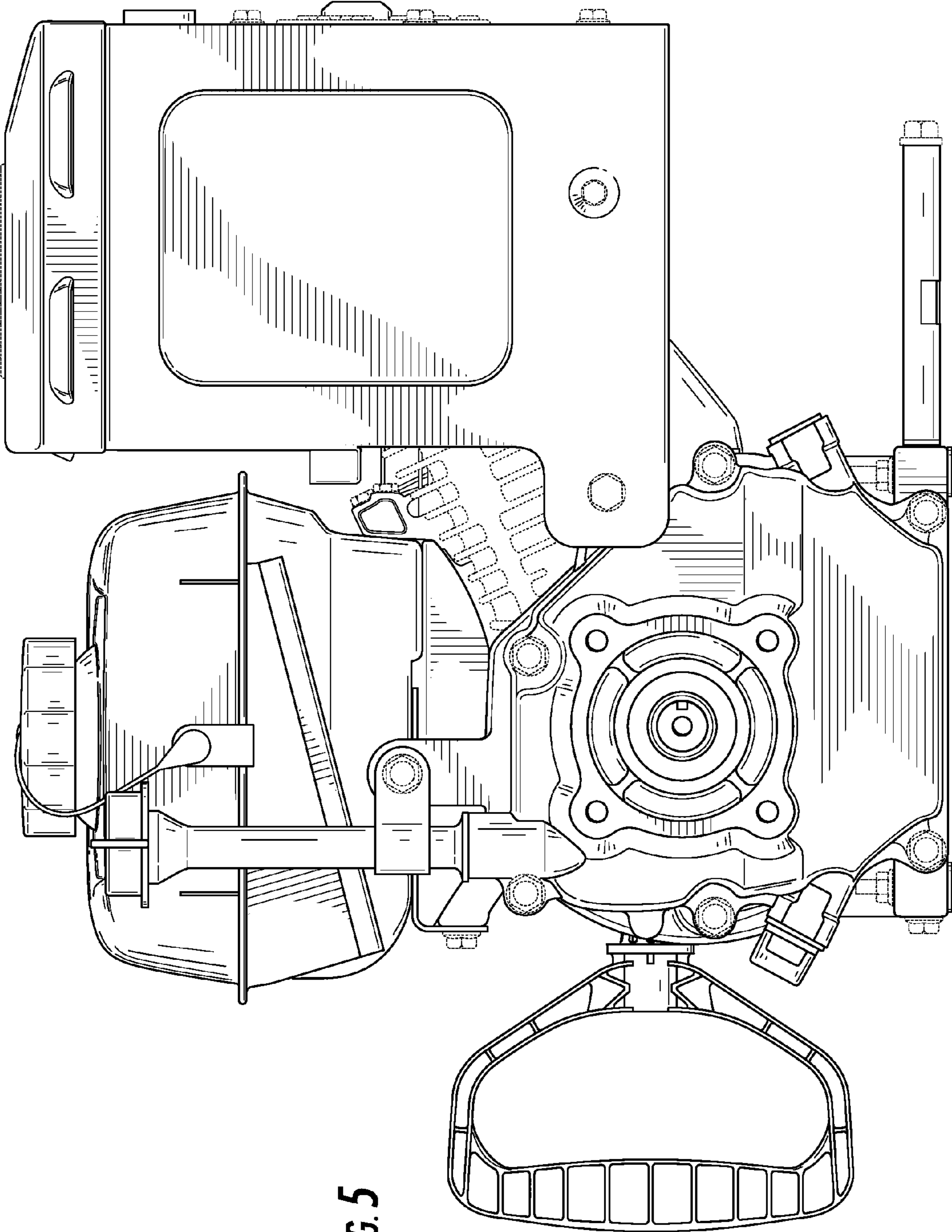


FIG. 5

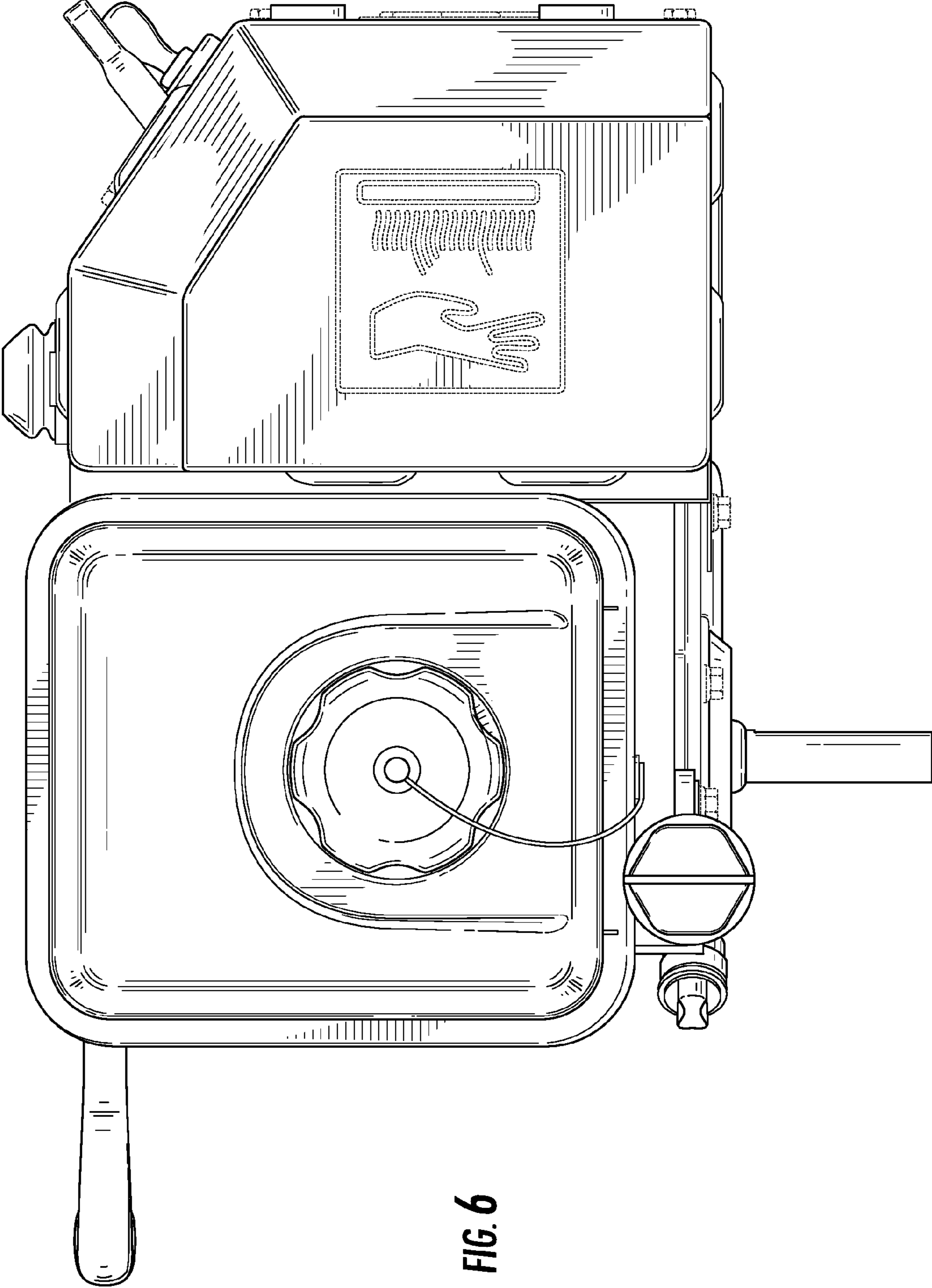


FIG. 6

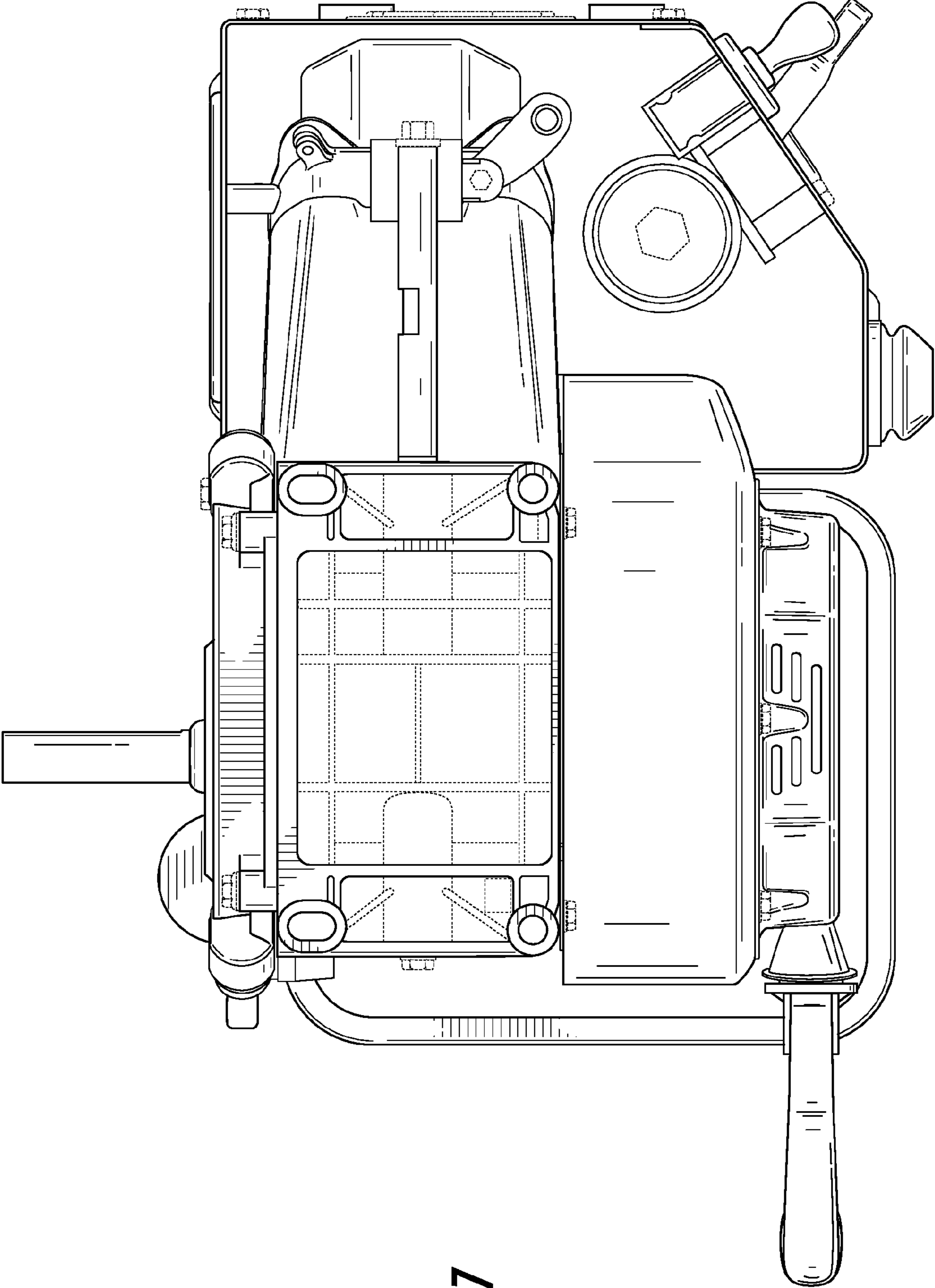


FIG. 7