



US00D635569S

(12) **United States Design Patent**
Park

(10) **Patent No.:** **US D635,569 S**

(45) **Date of Patent:** **** Apr. 5, 2011**

(54) **LCD MONITOR**

(75) **Inventor:** **Sang-II Park**, Kyunggi-do (KR)

(73) **Assignee:** **Samsung Electronics Co., Ltd.**,
Kyunggi-do (KR)

(**) **Term:** **14 Years**

(21) **Appl. No.:** **29/349,399**

(22) **Filed:** **Mar. 31, 2010**

(51) **LOC (9) Cl.** **14-02**

(52) **U.S. Cl.** **D14/374**

(58) **Field of Classification Search** D14/371-376,
D14/125-129, 336, 337; 248/917-924, 278.1;
345/104, 156, 173, 174, 901-905; 348/180,
348/184, 325, 739, 836; 361/679.01, 679.02,
361/679.21-679.25; 349/1, 2, 11, 58

See application file for complete search history.

(56) **References Cited**

U.S. PATENT DOCUMENTS

D486,486 S *	2/2004	Jobs et al.	D14/371
D494,941 S	8/2004	Kim		
D499,386 S	12/2004	Yang		
6,837,469 B2 *	1/2005	Wu et al.	248/278.1
D512,424 S	12/2005	Kim		
D517,551 S *	3/2006	Kim et al.	D14/375
D521,511 S	5/2006	Kim et al.		
D521,996 S	5/2006	Kim et al.		
D521,997 S	5/2006	Park et al.		
D522,509 S	6/2006	Park et al.		
D524,313 S	7/2006	Boo et al.		
D527,003 S	8/2006	Kim et al.		
D528,115 S	9/2006	Yoon		
D528,116 S	9/2006	Won et al.		
D529,910 S	10/2006	Ota		
D532,764 S	11/2006	Kim et al.		
D533,848 S	12/2006	Lee et al.		
D534,510 S	1/2007	Kang et al.		
D534,883 S	1/2007	Kang et al.		

D535,267 S	1/2007	Kang et al.
D536,677 S	2/2007	Kim et al.
D537,079 S	2/2007	Park
D539,242 S	3/2007	Lee et al.
D539,281 S	3/2007	Kim et al.
D539,767 S	4/2007	Kang et al.
D540,277 S	4/2007	Kim et al.
D541,236 S	4/2007	Kim et al.
D541,763 S	5/2007	Kim
D542,746 S	5/2007	Kim
D542,747 S	5/2007	Kim et al.
D543,163 S	5/2007	Yang et al.
D543,164 S	5/2007	Yang et al.
D544,849 S	6/2007	Yang et al.
D545,312 S	6/2007	Kim

(Continued)

OTHER PUBLICATIONS

U.S. Appl. No. 29/308,634, Applicant: Kyu-Mi Han, et al., filed Jun. 27, 2008 entitled Television Set.

(Continued)

Primary Examiner — Freda S Nunn

(74) *Attorney, Agent, or Firm* — Flynn, Thiel, Boutell & Tanis, P.C.

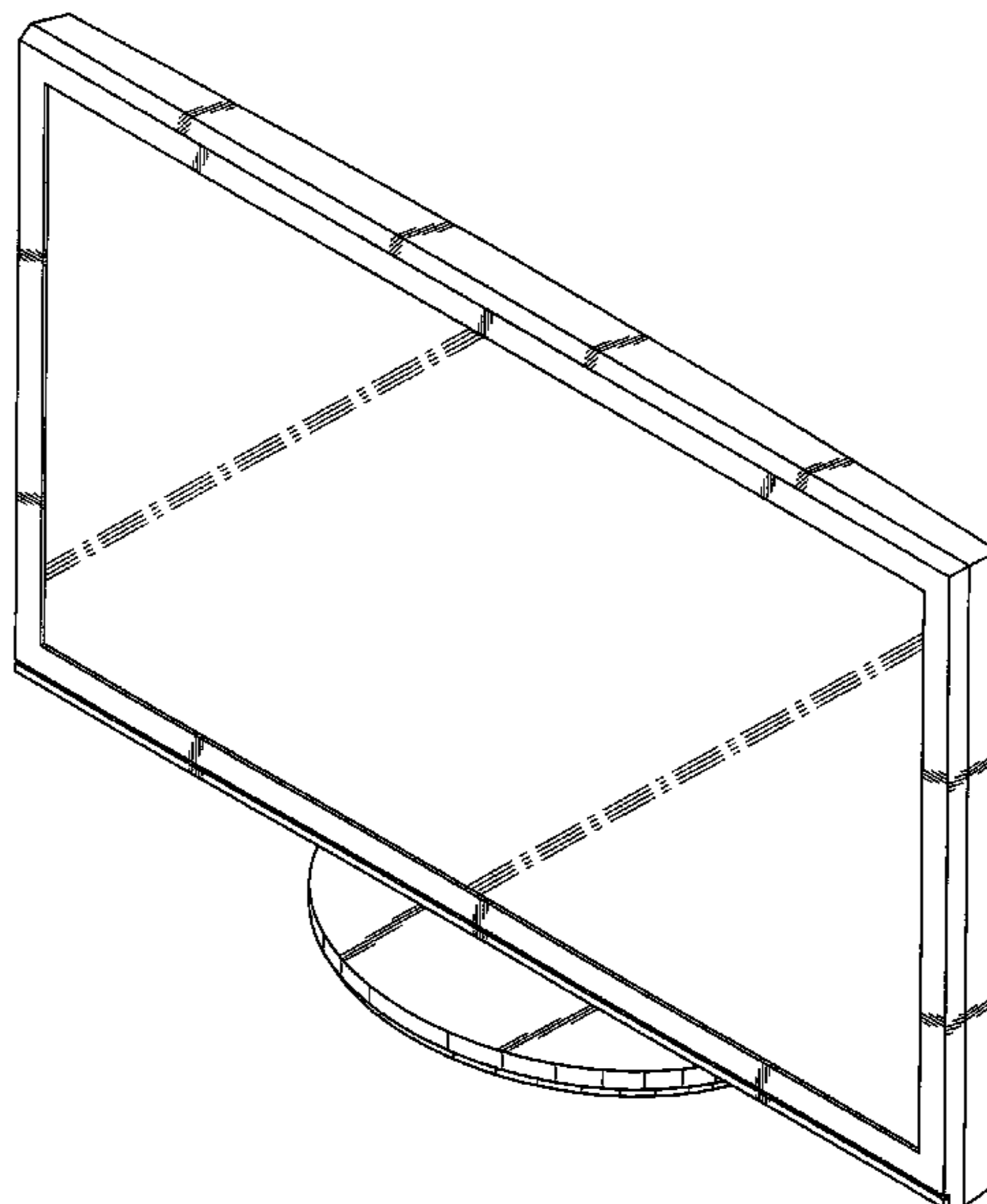
(57) **CLAIM**

The ornamental design for a LCD monitor, as shown and described.

DESCRIPTION

FIG. 1 is a top front perspective view of a LCD Monitor showing my new design;
FIG. 2 is a front elevational view thereof;
FIG. 3 is a rear elevational view thereof;
FIG. 4 is a left side elevational view thereof;
FIG. 5 is a right side elevational view thereof;
FIG. 6 is a top plan view thereof; and,
FIG. 7 is a bottom plan view thereof.

1 Claim, 4 Drawing Sheets



U.S. PATENT DOCUMENTS

D545,313 S 6/2007 Kim
 D545,314 S 6/2007 Kim
 D545,315 S 6/2007 Kim
 D545,316 S 6/2007 Kim
 D545,776 S 7/2007 Kwon
 D545,820 S 7/2007 Won et al.
 D546,331 S 7/2007 Kim
 D547,276 S 7/2007 Yang et al.
 D547,313 S 7/2007 Kim
 D548,205 S 8/2007 Kim et al.
 D548,206 S 8/2007 Han
 D548,708 S 8/2007 Park et al.
 D550,222 S * 9/2007 Park D14/375
 D551,186 S 9/2007 Yang et al.
 D551,194 S 9/2007 Kim et al.
 D551,636 S 9/2007 Kang et al.
 D553,108 S 10/2007 Won et al.
 D554,601 S 11/2007 Won et al.
 D556,159 S 11/2007 Park et al.
 D556,160 S 11/2007 Lee et al.
 D556,709 S 12/2007 Kim et al.
 D556,755 S 12/2007 Lee et al.
 D556,756 S 12/2007 Kataoka et al.
 D556,757 S 12/2007 Kim et al.
 D558,201 S 12/2007 Park et al.
 D558,696 S 1/2008 Park et al.
 D561,130 S 2/2008 Won et al.
 D561,134 S 2/2008 Kim et al.
 D561,135 S 2/2008 Won et al.
 D561,136 S 2/2008 Won et al.
 D564,472 S 3/2008 Won et al.
 D565,521 S 4/2008 Yang et al.
 D567,198 S 4/2008 Yang et al.
 D567,199 S 4/2008 Kim et al.
 D569,818 S 5/2008 Kim et al.
 D570,841 S 6/2008 Kim et al.
 D572,680 S 7/2008 Lee et al.
 D572,682 S 7/2008 Won et al.
 D573,118 S 7/2008 Yang et al.
 D573,559 S 7/2008 Kim et al.
 D575,247 S 8/2008 Lee
 D575,783 S * 8/2008 Hean et al. D14/375
 D576,622 S 9/2008 Park
 D579,889 S 11/2008 Noh
 D582,365 S 12/2008 Yang et al.
 D582,366 S 12/2008 Yang et al.

D582,867 S 12/2008 Song et al.
 D584,258 S 1/2009 Yang et al.
 D584,309 S 1/2009 Kim et al.
 D584,310 S 1/2009 Kim et al.
 D584,729 S 1/2009 Kim et al.
 D586,811 S 2/2009 Kim et al.
 D587,712 S 3/2009 Park et al.
 D592,621 S 5/2009 Han et al.
 D592,664 S * 5/2009 Lee et al. D14/375
 D593,974 S 6/2009 Yang et al.
 D597,041 S 7/2009 Cho et al.
 D597,977 S 8/2009 Won et al.
 D597,978 S 8/2009 Won et al.
 D608,311 S 1/2010 Lee et al.
 D609,658 S 2/2010 Kim et al.
 D610,143 S 2/2010 Park et al.
 D614,596 S 4/2010 Won et al.
 2003/0058372 A1 * 3/2003 Williams et al. 348/836

OTHER PUBLICATIONS

U.S. Appl. No. 29/316,364, Applicant: Jae-Seung Song, et al., filed Sep. 17, 2009 entitled LCD Television Set.
 U.S. Appl. No. 29/316,365, Applicant: Jae-Seung Song, et al., filed Sep. 17, 2009 entitled LCD Television Set.
 U.S. Appl. No. 29/316,366, Applicant: Dong-Hee Won, et al., filed Sep. 17, 2009 entitled LED Television Set.
 U.S. Appl. No. 29/316,367, Applicant: Young-Sun Shin, et al., filed Sep. 17, 2009 entitled LCD Television Set.
 U.S. Appl. No. 29/308,894, Applicant: Eui-Seok Kim, et al., filed Jul. 14, 2008 entitled LCD Monitor.
 U.S. Appl. No. 29/348,342, Applicant: Jung-Hyun Lee, et al., filed Dec. 22, 2009 entitled LED Television Set.
 U.S. Appl. No. 29/348,517, Applicant: Yong-Joo Lee, et al., filed Feb. 10, 2010 entitled LCD Monitor.
 U.S. Appl. No. 29/349,396, Applicant: Young-Jin Seo, et al., filed Mar. 31, 2010 entitled LED Monitor.
 U.S. Appl. No. 29/349,398, Applicant: Ok-Keun Lee, et al., filed Mar. 31, 2010 entitled LED Monitor.
 U.S. Appl. No. 29/349,400, Applicant: Sang-Il Park, filed Mar. 31, 2010 entitled LCD Monitor.
 U.S. Appl. No. 29/349,406, Applicant: Kyoung-Hoon Kim, et al., filed Mar. 31, 2010 entitled Television Receiver.
 U.S. Appl. No. 29/349,409, Applicant: Kyoung-Hoon Kim, et al., filed Mar. 31, 2010 entitled Television Receiver.

* cited by examiner

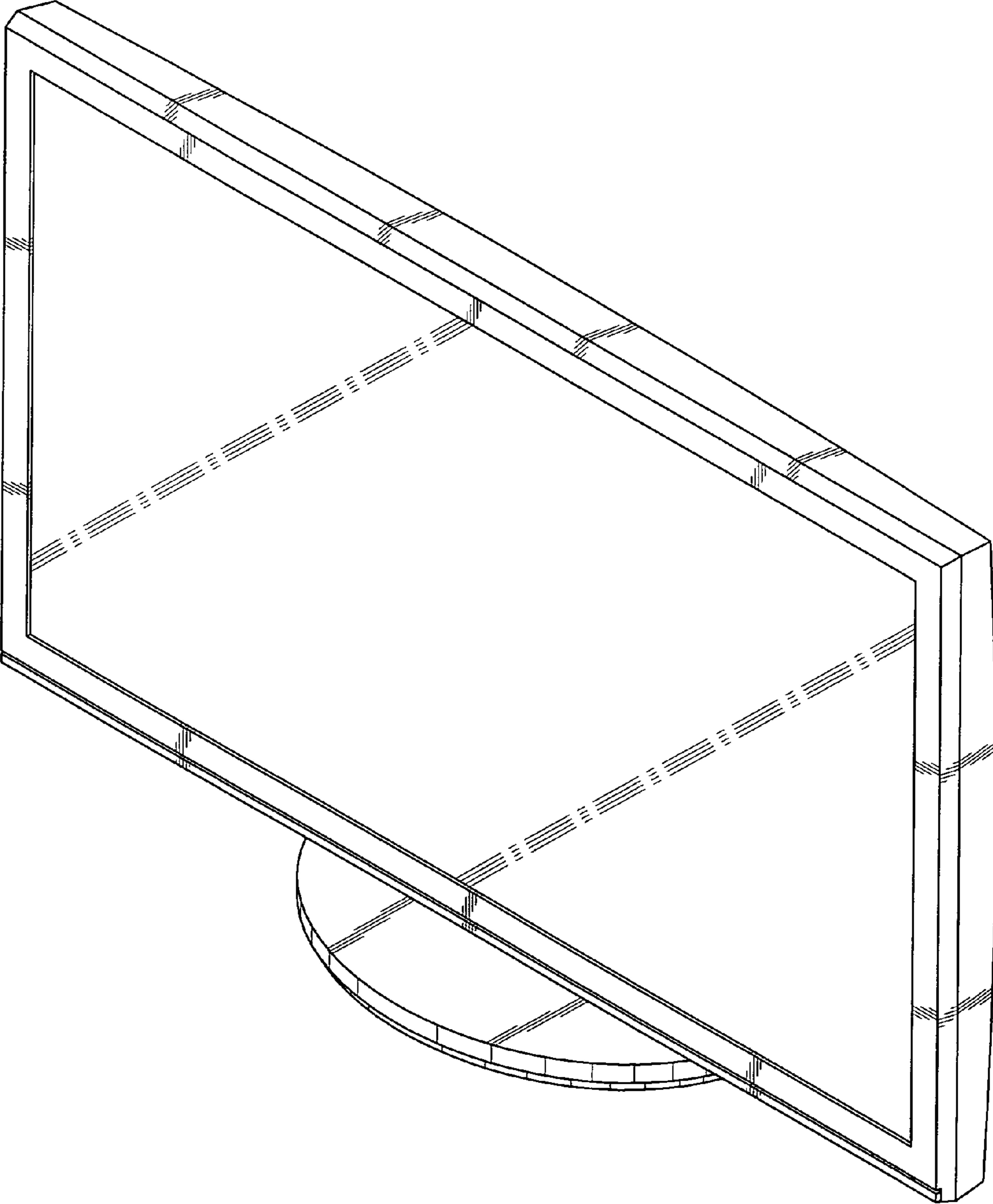


FIG. 1

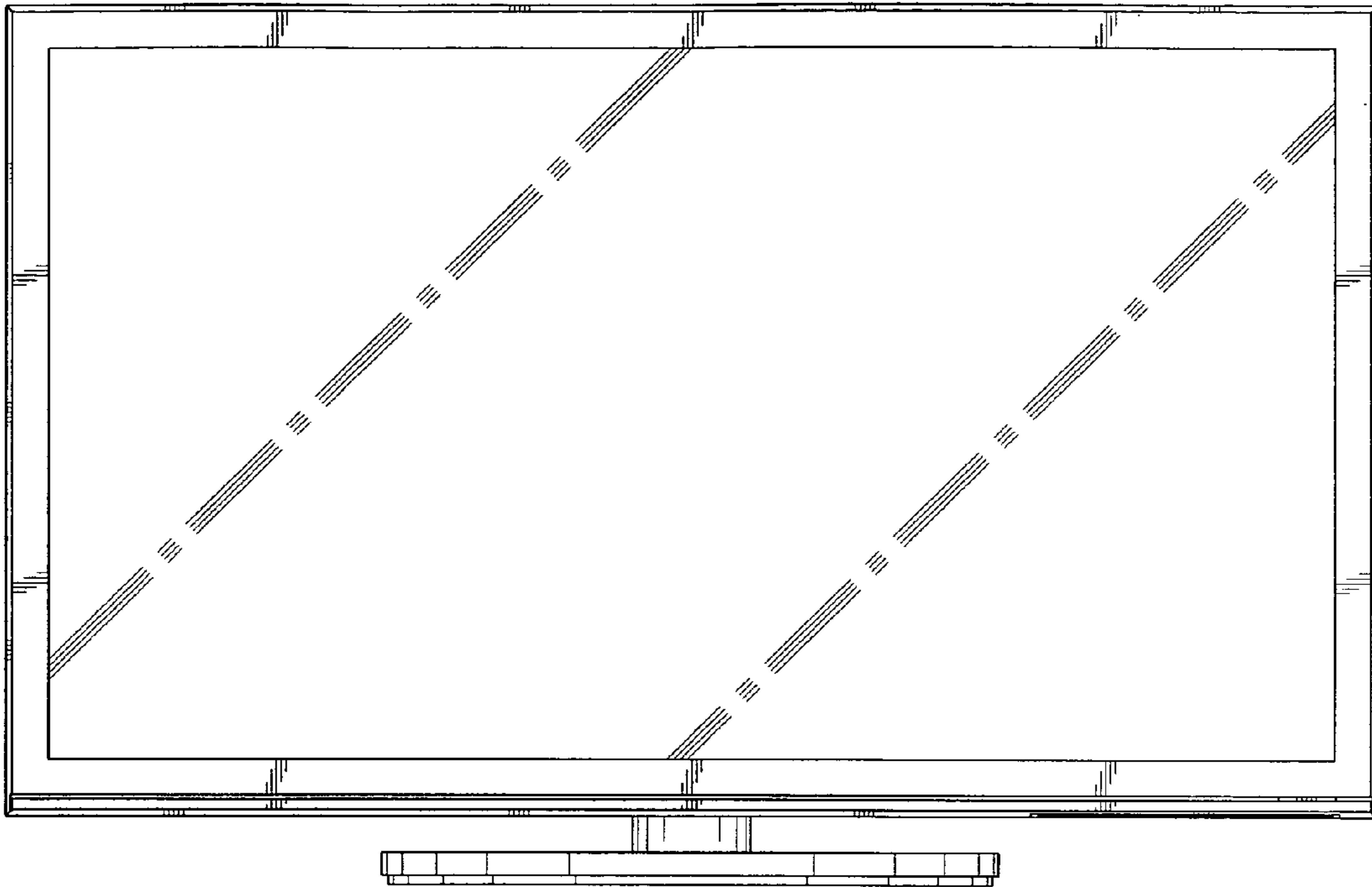


FIG. 2

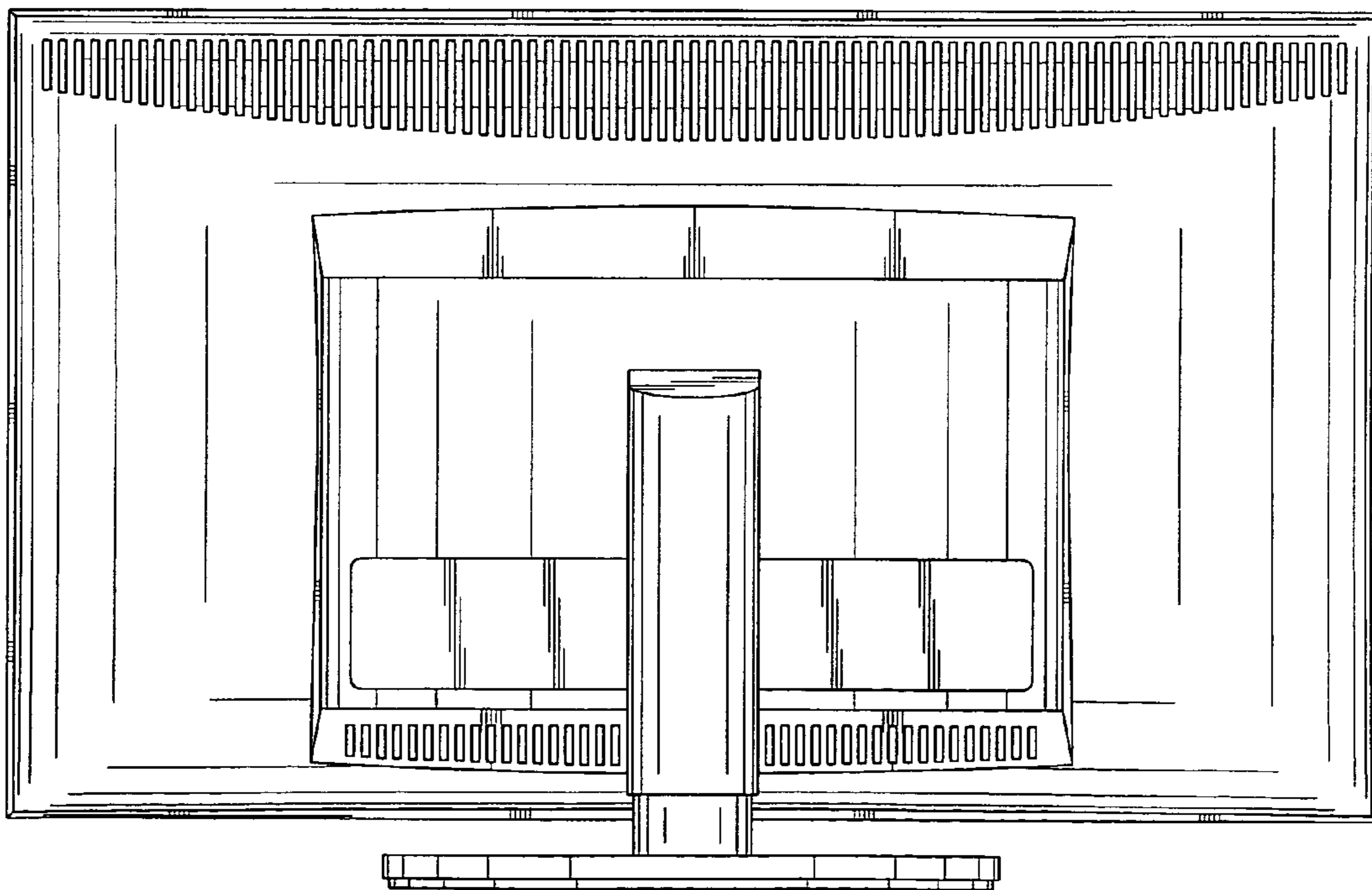


FIG. 3

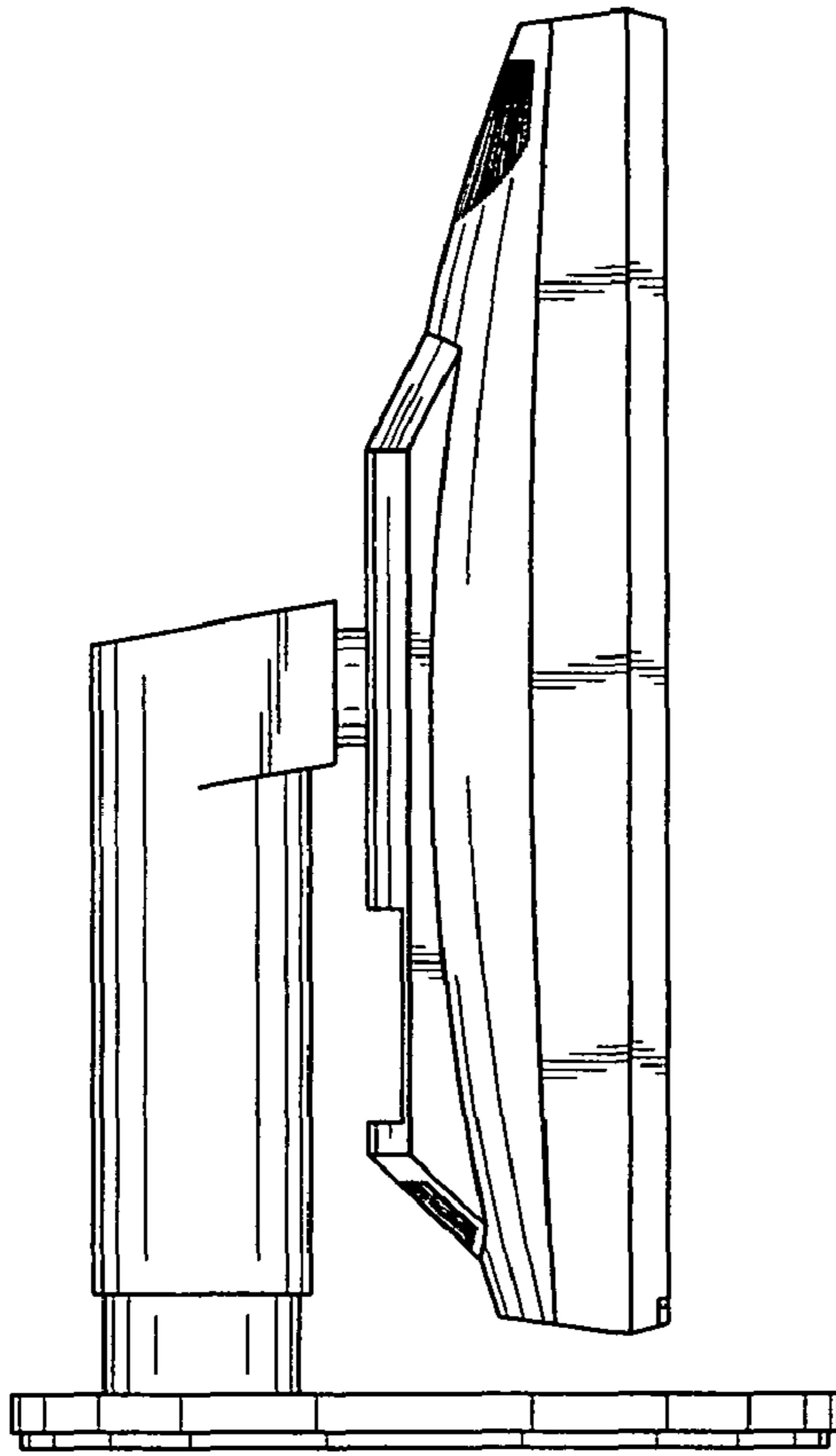


FIG. 4

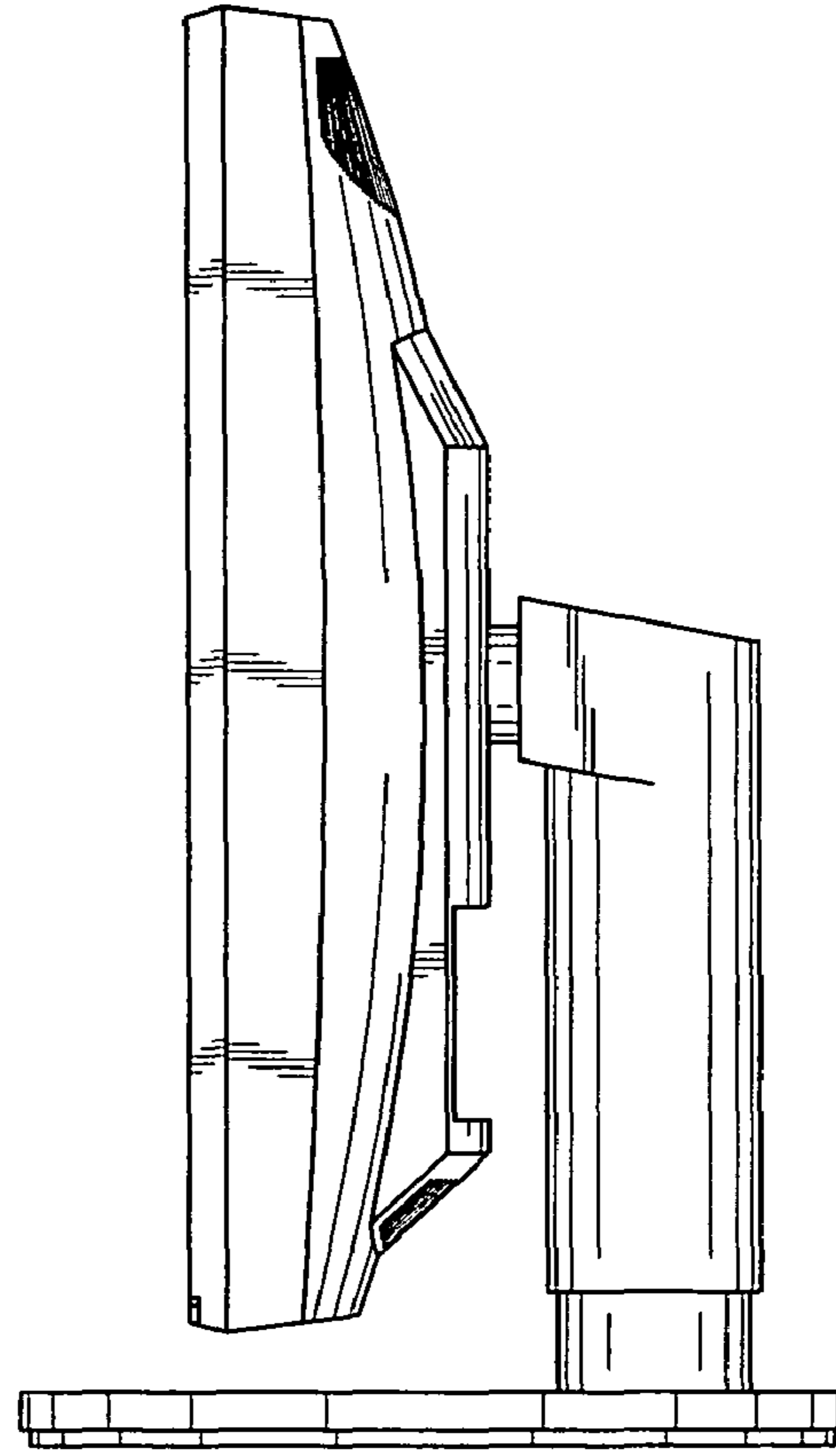


FIG. 5

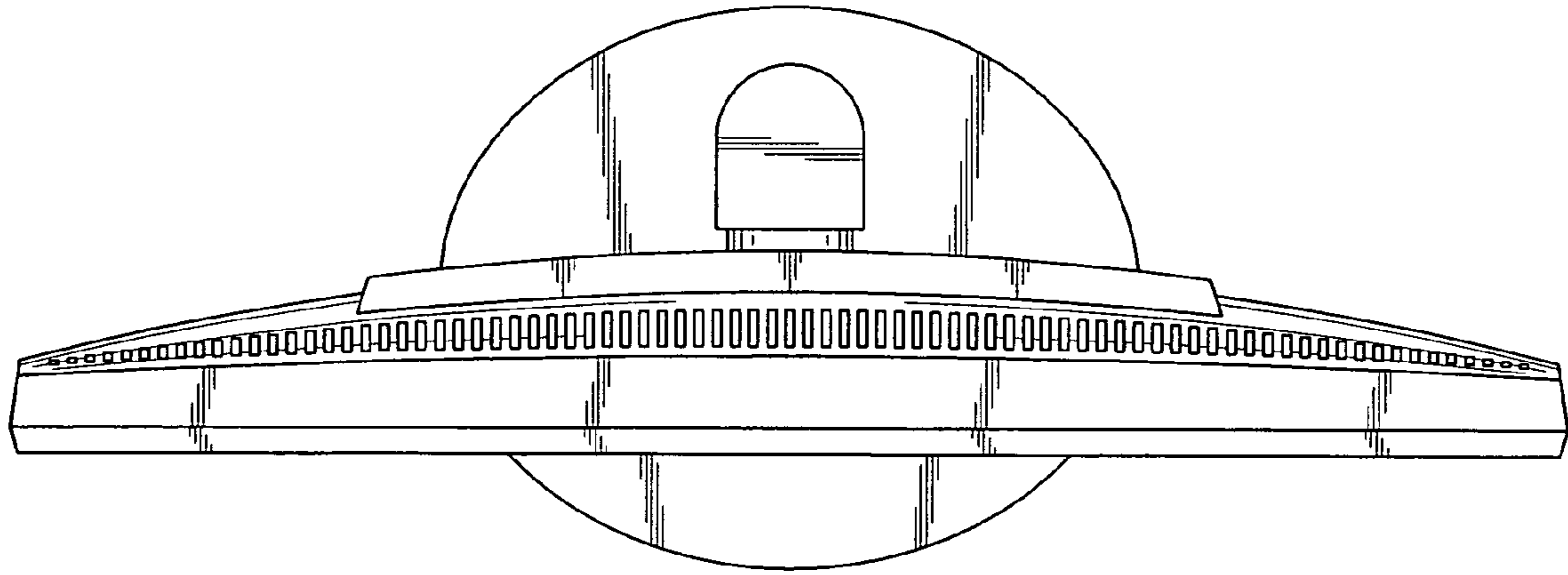


FIG. 6

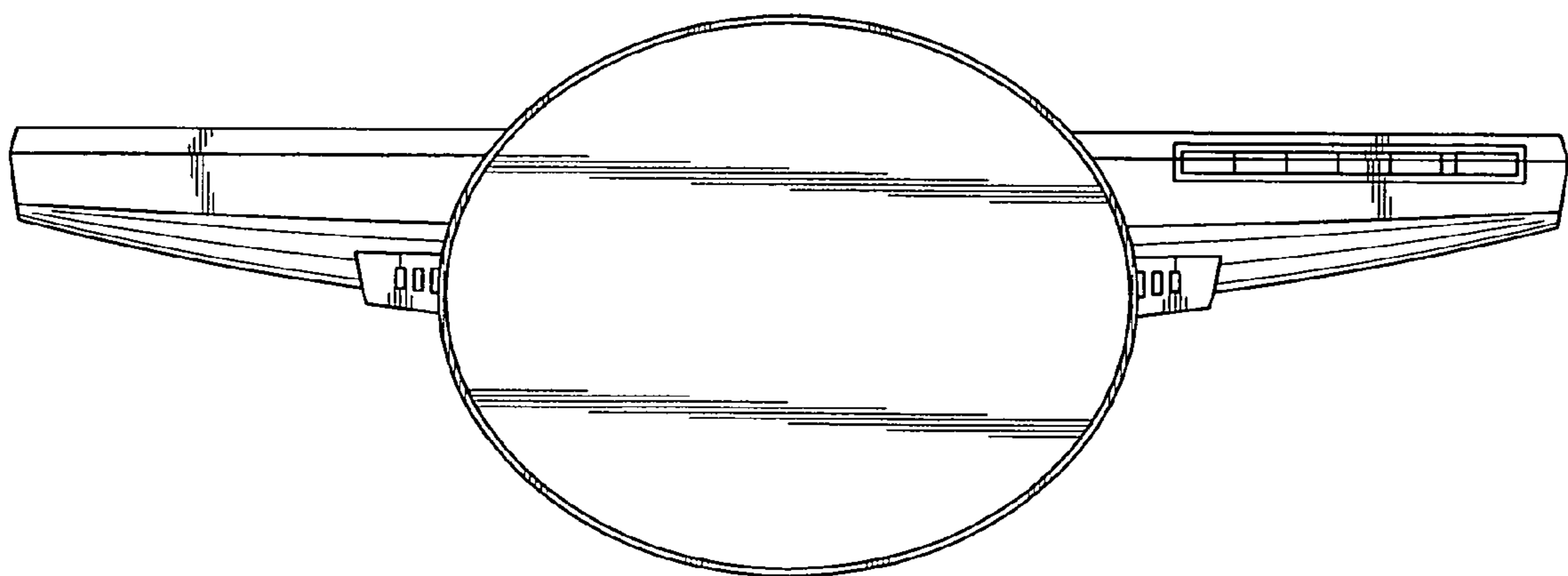


FIG. 7