



US00D635567S

(12) **United States Design Patent**
Rashid et al.

(10) **Patent No.:** **US D635,567 S**
(45) **Date of Patent:** **** Apr. 5, 2011**

(54) **ELECTRONIC DEVICE**

(75) Inventors: **Osman Rashid**, Fremont, CA (US);
Babur Habib, San Francisco, CA (US);
David M. Straus, Los Altos, CA (US);
Philip J. Houdek, II, San Jose, CA
(US); **Dan Page Wilkins**, San Jose, CA
(US); **Stanislav Moiseyenko**, Mountain
View, CA (US); **Nathan Isaiah Jauvtis**,
San Francisco, CA (US); **Gadi Amit**,
San Mateo, CA (US); **Yoshikazu**
Hoshino, San Francisco, CA (US);
Julien Rouillac, San Francisco, CA
(US); **Barbara A. Stettler**, Oakland, CA
(US)

(73) Assignee: **KNO, Inc.**, Santa Clara, CA (US)

(**) Term: **14 Years**

(21) Appl. No.: **29/362,895**

(22) Filed: **Jun. 1, 2010**

(51) **LOC (9) Cl.** **14-02**

(52) **U.S. Cl.** **D14/341**

(58) **Field of Classification Search** D14/341-347,
D14/137, 138, 138.1, 138 AA, 138 R, 138 AB,
D14/138 AC, 138 AD, 138 C, 138 G, 496,
D14/203.1, 203.3, 203.4, 203.5, 203.6, 203.7,
D14/426, 427, 428, 432, 429, 129, 130, 420,
D14/439-441, 448, 125, 147, 156, 218, 247-248,
D14/250, 389, 336; D10/65, 104; D18/6-7;
D21/29, 686, 33, 324, 329, 330; D19/60;
345/169, 901, 905; 379/433.04, 433.07,
379/433.11, 433.12, 433.13, 910, 916, 433.01,
379/433.06

See application file for complete search history.

(56) **References Cited**

U.S. PATENT DOCUMENTS

D445,787 S * 7/2001 Francis D14/345
D517,545 S * 3/2006 Buckel et al. D14/345

7,460,893 B2 * 12/2008 Aarras 455/575.3
D587,704 S * 3/2009 McCoy D14/345
7,705,799 B2 * 4/2010 Niwa 345/1.1
D618,683 S * 6/2010 Wilson et al. D14/371
7,755,882 B2 * 7/2010 Guo 361/679.09
D626,124 S * 10/2010 Chyan et al. D14/341
2003/0179541 A1 * 9/2003 Sullivan 361/681
2006/0214919 A1 * 9/2006 Moore et al. 345/173
2009/0219254 A1 * 9/2009 Lai et al. 345/173
2010/0149104 A1 * 6/2010 Sim et al. 345/169
2010/0157518 A1 * 6/2010 Ladouceur et al. 361/679.09
2010/0177047 A1 * 7/2010 Brenneman et al. 345/173

OTHER PUBLICATIONS

MSI dual-display Windows 7-based netbook prototype, posted Jan. 9, 2010 [online]. <http://www.pcworld.com>, retrieved from Internet Jun. 29, 2010.*

(Continued)

Primary Examiner — Cathron C Brooks

Assistant Examiner — Barbara Fox

(74) *Attorney, Agent, or Firm* — Cooley LLP

(57) **CLAIM**

The ornamental design for an electronic device, as shown and described.

DESCRIPTION

FIG. 1 is a perspective view of the electronic device in an 180 degree open configuration, in accordance with an embodiment of the invention;

FIG. 2 is a perspective view thereof in a closed configuration;

FIG. 3 is a perspective view thereof in a 360 degree open configuration;

FIG. 4 is a top plan view thereof;

FIG. 5 is a rear elevation view thereof;

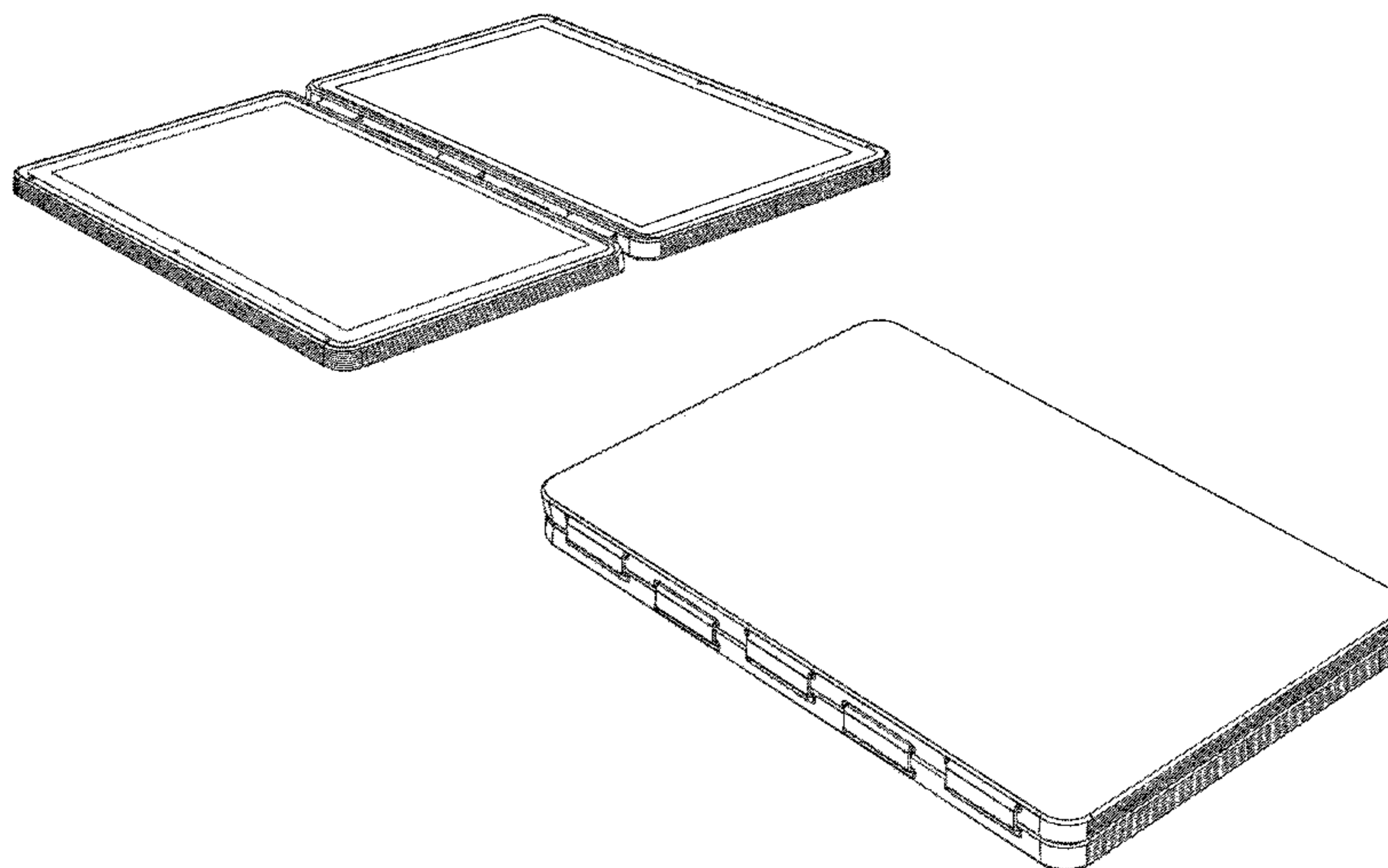
FIG. 6 is a right side view thereof;

FIG. 7 is a front elevation view thereof;

FIG. 8 is a bottom plan view thereof; and,

FIG. 9 is a left side view thereof.

1 Claim, 9 Drawing Sheets



OTHER PUBLICATIONS

Instructables.com. "A Traditional Jacob's Ladder". Downloaded Nov. 1, 2010. www.instructables.com/id/A-Traditional-Jacob-s-Ladder.

Libretto w100, Google Search Results, downloaded Nov. 1, 2010.
Entourage Edge, Google Search Results, downloaded Nov. 1, 2010.
Microsoft Courier Tablet, Google Search Results, downloaded Nov. 1, 2010.

* cited by examiner

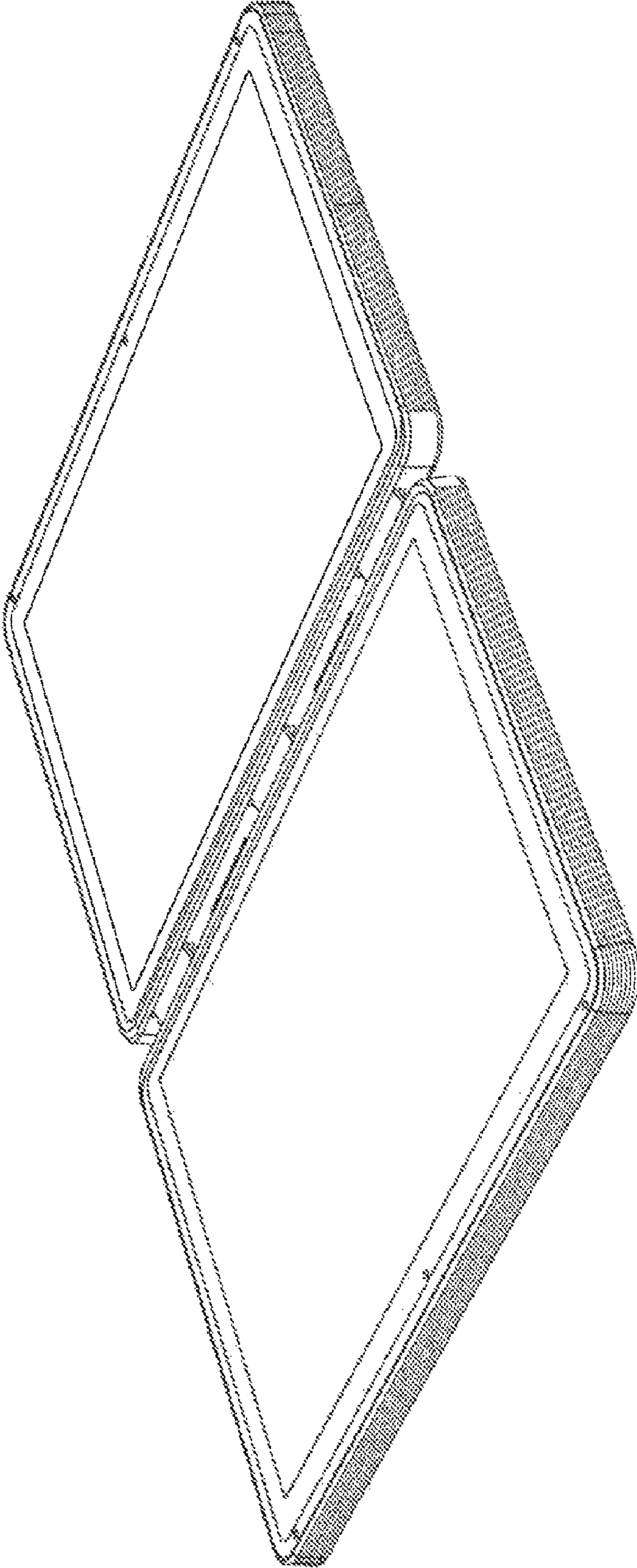


FIG. 1

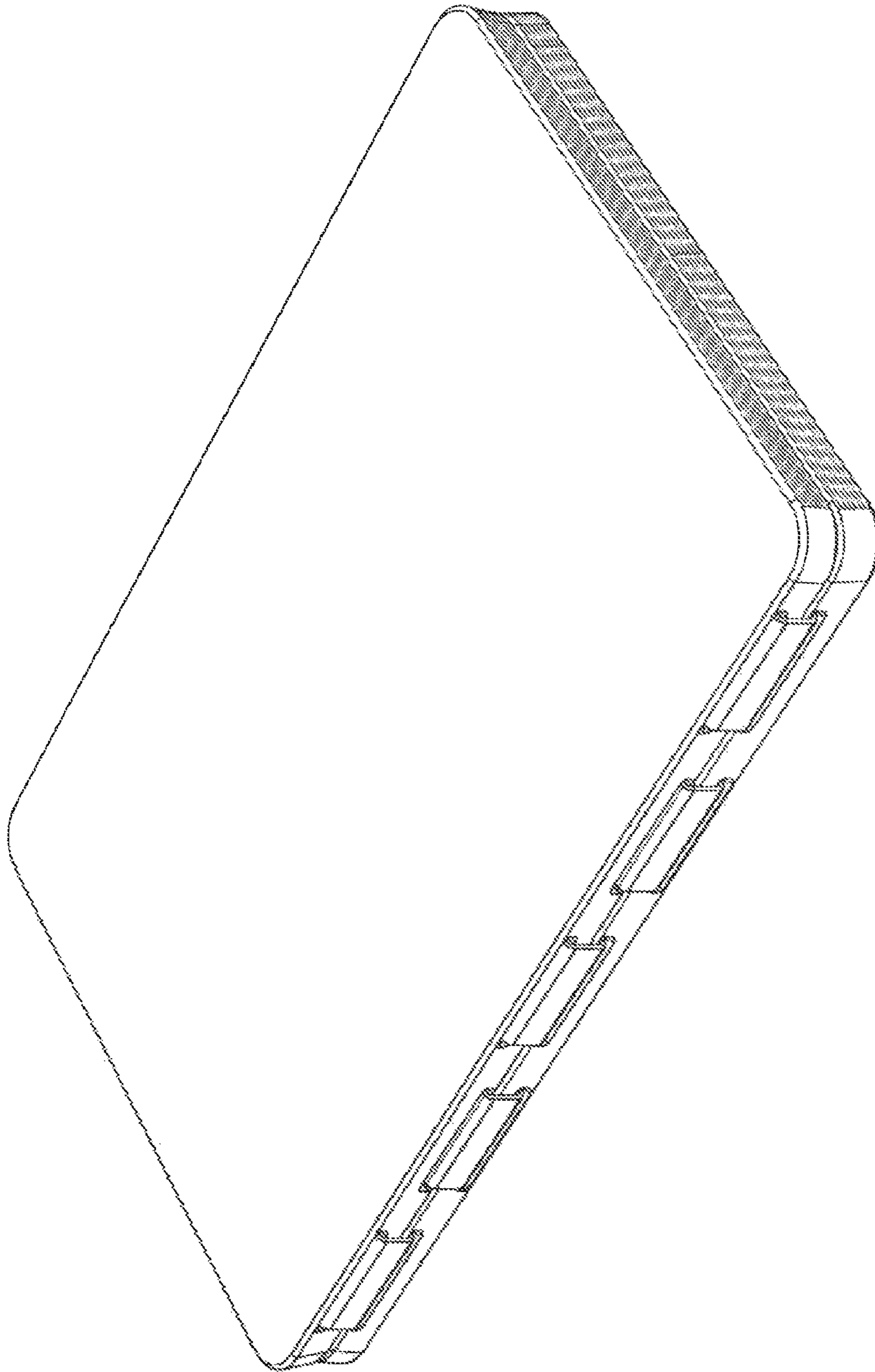


FIG. 2

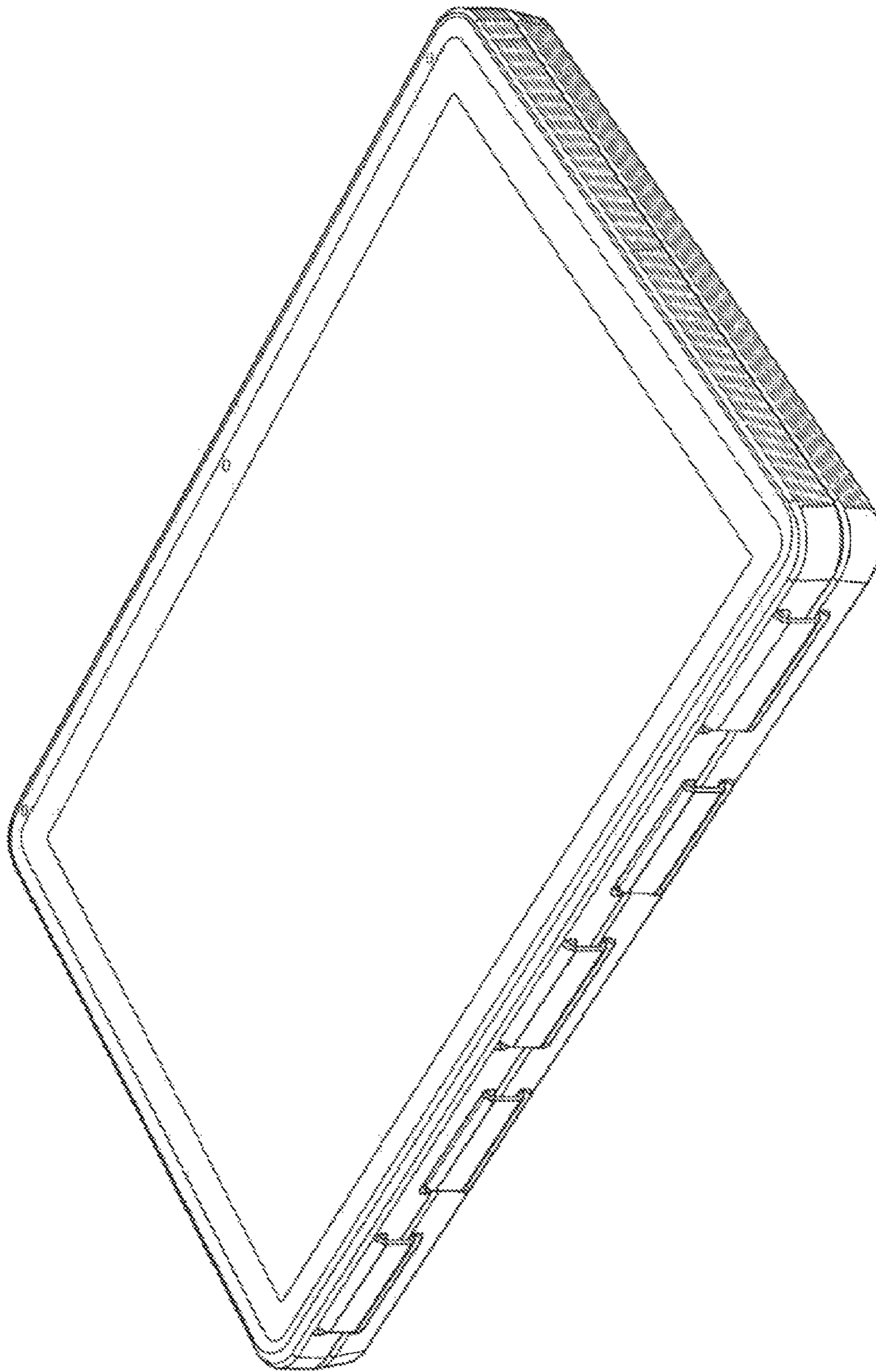


FIG. 3

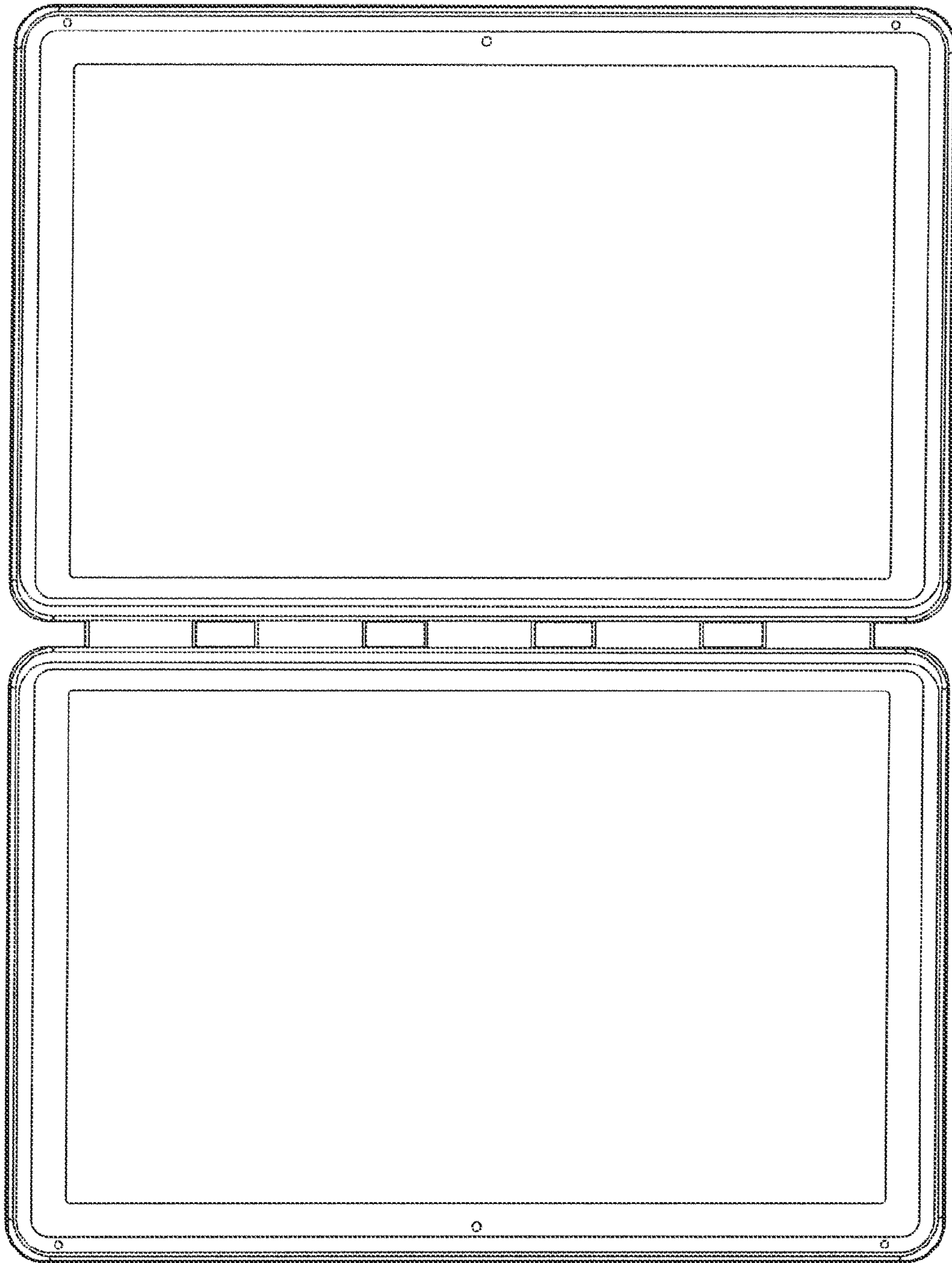


FIG. 4

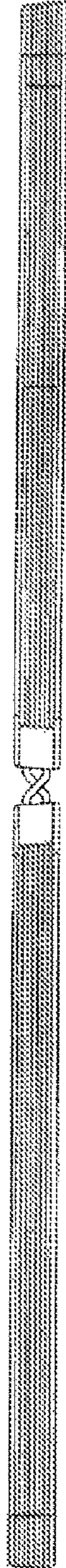


FIG. 5

FIG. 6





FIG. 7

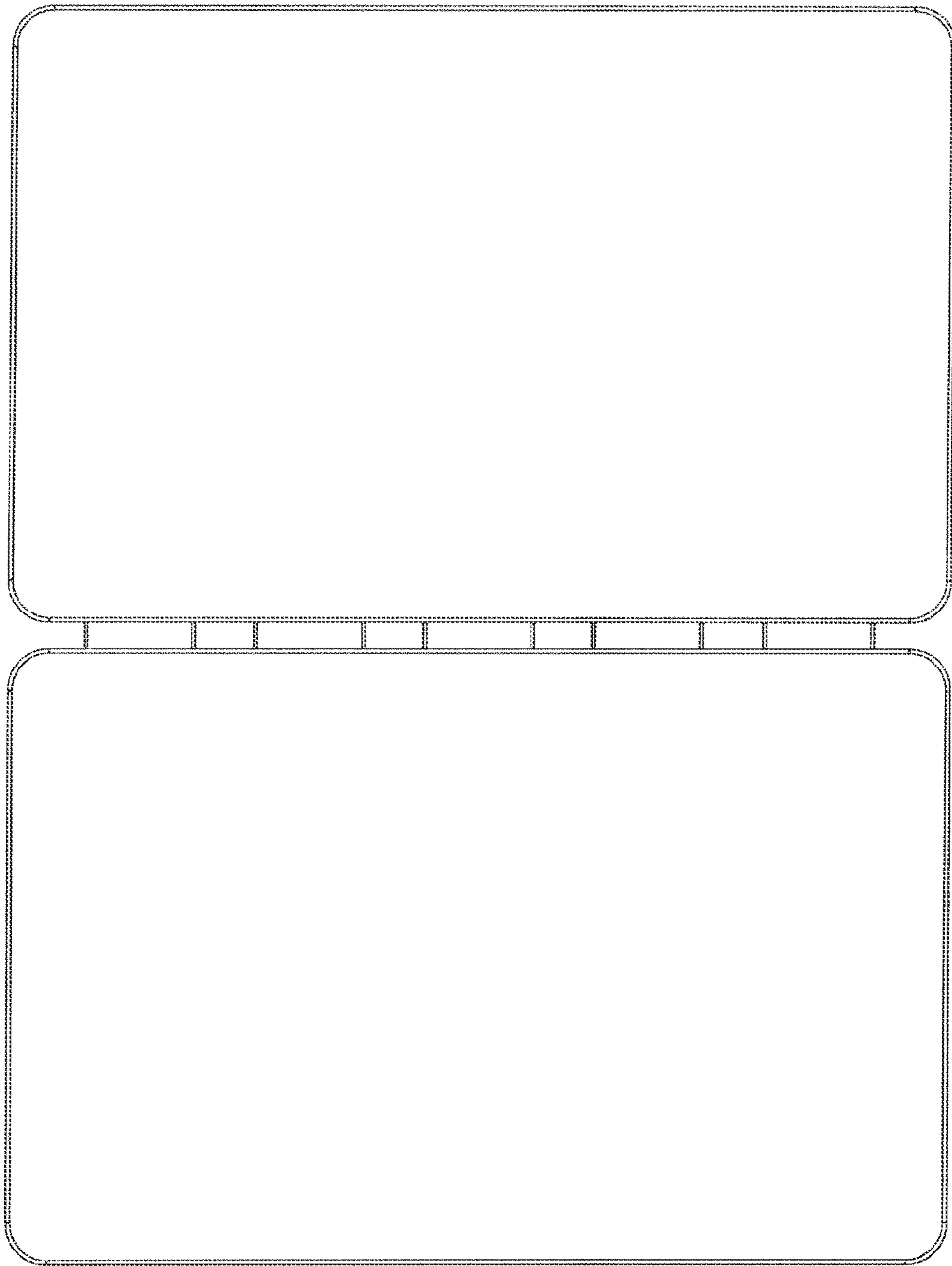


FIG. 8

FIG. 9

