



US00D635566S

(12) **United States Design Patent**
Andre et al.

(10) **Patent No.:** **US D635,566 S**
(45) **Date of Patent:** **** Apr. 5, 2011**

(54) **ELECTRONIC DEVICE**

(56) **References Cited**

(75) Inventors: **Bartley K. Andre**, Menlo Park, CA (US); **Daniel J. Coster**, San Francisco, CA (US); **Daniele De Iuliis**, San Francisco, CA (US); **Evans Hankey**, San Francisco, CA (US); **Richard P. Howarth**, San Francisco, CA (US); **Jonathan P. Ive**, San Francisco, CA (US); **Steve Jobs**, Palo Alto, CA (US); **Duncan Robert Kerr**, San Francisco, CA (US); **Shin Nishibori**, Portola Valley, CA (US); **Matthew Dean Rohrbach**, San Francisco, CA (US); **Peter Russell-Clarke**, San Francisco, CA (US); **Douglas B. Satzger**, Menlo Park, CA (US); **Christopher J. Stringer**, Woodside, CA (US); **Eugene Antony Whang**, San Francisco, CA (US); **Rico Zorkendorfer**, San Francisco, CA (US)

U.S. PATENT DOCUMENTS

6,067,224	A *	5/2000	Nobuchi	361/679.27
6,166,737	A *	12/2000	Lee et al.	715/783
D463,797	S	10/2002	Andre et al.	
6,657,854	B2 *	12/2003	Horii et al.	361/679.09
D491,177	S	6/2004	Andre et al.	
D493,785	S	8/2004	Andre et al.	
D513,509	S *	1/2006	Kawa	D14/318
7,035,665	B2 *	4/2006	Kido et al.	455/566
D527,730	S *	9/2006	Dong	D14/315

(Continued)

OTHER PUBLICATIONS

U.S. Appl. No. 29/365,032, filed Jul. 1, 2010, entitled "Electronic Device".

(Continued)

Primary Examiner — Freda S Nunn
(74) *Attorney, Agent, or Firm* — SAIDMAN DesignLaw Group

(73) Assignee: **Apple Inc.**, Cupertino, CA (US)

(**) Term: **14 Years**

(21) Appl. No.: **29/375,023**

(22) Filed: **Sep. 16, 2010**

Related U.S. Application Data

(60) Continuation of application No. 29/345,429, filed on Oct. 15, 2009, now Pat. No. Des. 625,717, which is a division of application No. 29/294,500, filed on Jan. 14, 2008, now Pat. No. Des. 604,294.

(51) **LOC (9) Cl.** **14-02**

(52) **U.S. Cl.** **D14/318; D14/455**

(58) **Field of Classification Search** D14/315-327, D14/455; D18/1, 2, 7, 11; 235/145 A, 145 R; 341/22, 23; 345/156, 157, 168, 169, 173; 361/679.08, 679.09, 679.26, 679.27; 348/373; 715/783; 400/486, 489

See application file for complete search history.

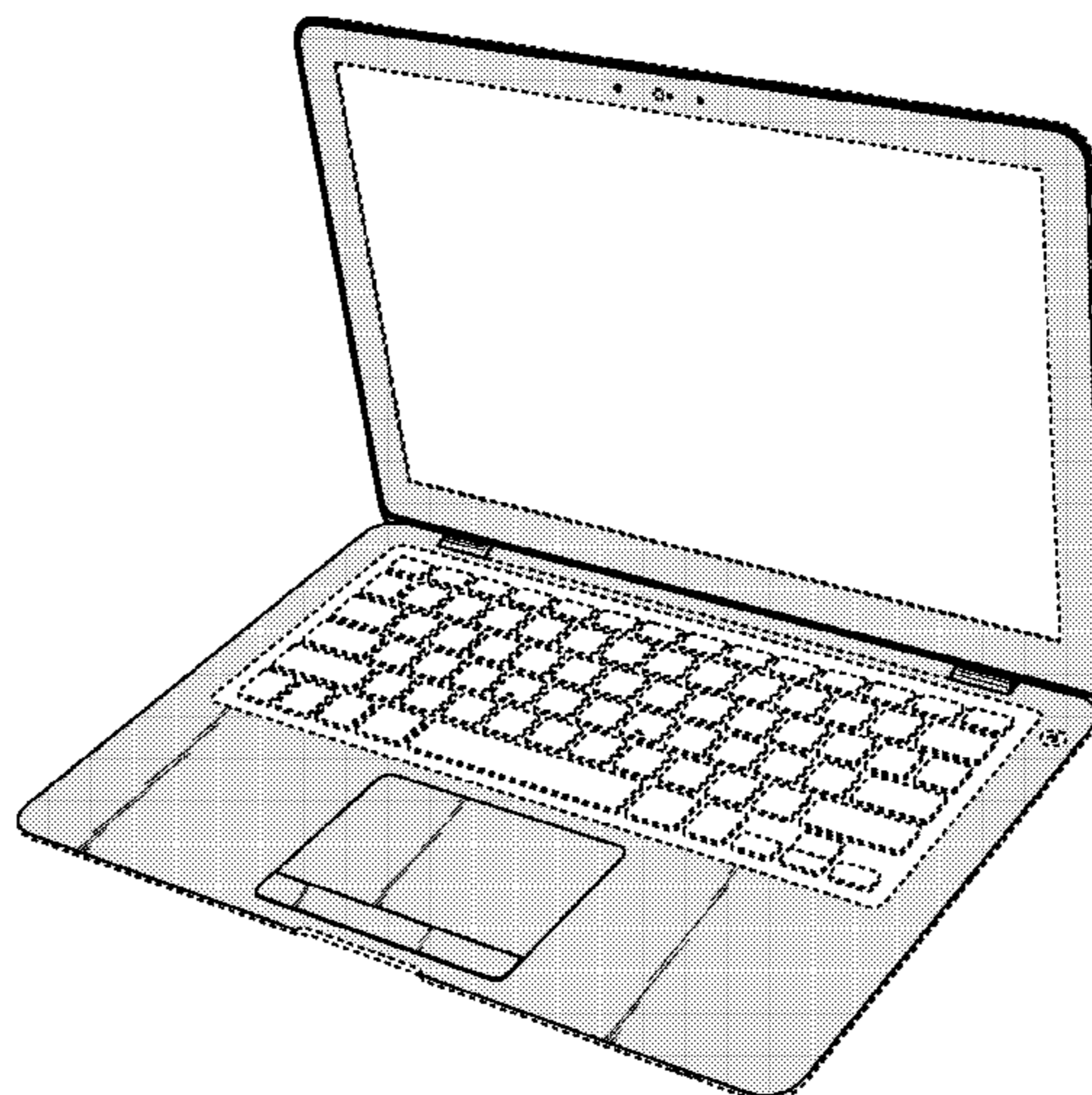
(57) **CLAIM**
The ornamental design for an electronic device, as shown and described.

DESCRIPTION

FIG. 1 is a top view of a first embodiment of an electronic device showing our new design; FIG. 2 is a front perspective view thereof; FIG. 3 is a rear perspective view thereof; FIG. 4 is a left side view thereof; FIG. 5 is a top view of a second embodiment thereof; FIG. 6 is a front perspective thereof; FIG. 7 is a rear perspective view thereof; and, FIG. 8 is a left side view thereof.

In the second embodiment, the portion of the electronic device shown in gray shading represents a metallic-looking surface. The broken lines illustrate portions of the electronic device and form no part of the claimed design.

1 Claim, 8 Drawing Sheets



U.S. PATENT DOCUMENTS

D529,907	S	*	10/2006	Dong	D14/315
D547,310	S	*	7/2007	Yoon	D14/315
D556,192	S	*	11/2007	Jeong et al.	D14/327
D558,752	S		1/2008	Andre et al.		
D558,753	S		1/2008	Andre et al.		
D571,364	S		6/2008	Andre et al.		
D572,247	S		7/2008	Andre et al.		
D574,378	S		8/2008	Andre et al.		
D589,507	S		3/2009	Andre et al.		
D604,294	S	*	11/2009	Andre et al.	D14/318
D611,469	S		3/2010	Andre et al.		
D616,881	S		6/2010	Andre et al.		
2005/0018396	A1	*	1/2005	Nakajima et al.	361/683
2005/0041378	A1	*	2/2005	Hamada et al.	361/680

OTHER PUBLICATIONS

U.S. Appl. No. 29/345,429 entitled "Electronic Device" filed Oct. 15, 2009.
U.S. Appl. No. 29/366,369 entitled "Portable Computer" filed Jul. 23, 2010.

Apple PowerBook G4 Titanium, available at least as early as Jan. 1, 2001.
Apple PowerBook G4 Aluminum, available at least as early as Jan. 1, 2003.
Apple MacBook Pro, available at least as early as Jan. 10, 2006.
Apple MacBook Air, available Jan. 15, 2008, http://images.apple.com/macbookair/images/design_gal01_20080115.jpg.
Apple MacBook Air, available Jan. 15, 2008, http://images.apple.com/macbookair/images/design_gal02_20080115.jpg.
Apple MacBook Air, available Jan. 15, 2008, http://images.apple.com/macbookair/images/design_gal03_20080115.jpg.
Apple MacBook Air, available Jan. 15, 2008, http://images.apple.com/macbookair/images/design_gal04_20080115.jpg.
Apple MacBook Air, available Jan. 15, 2008, http://images.apple.com/macbookair/images/design_thinair20080115.
Apple MacBook Air, available Jan. 15, 2008, http://images.apple.com/macbookair/images/design_displayair20080115.jpg.
Apple MacBook Air, available Jan. 15, 2008, http://images.apple.com/macbookair/images/design_keyboardair20080115.jpg.
Apple MacBook Air, available Jan. 15, 2008, http://images.apple.com/macbookair/images/design_gal08_20080115.jpg.

* cited by examiner

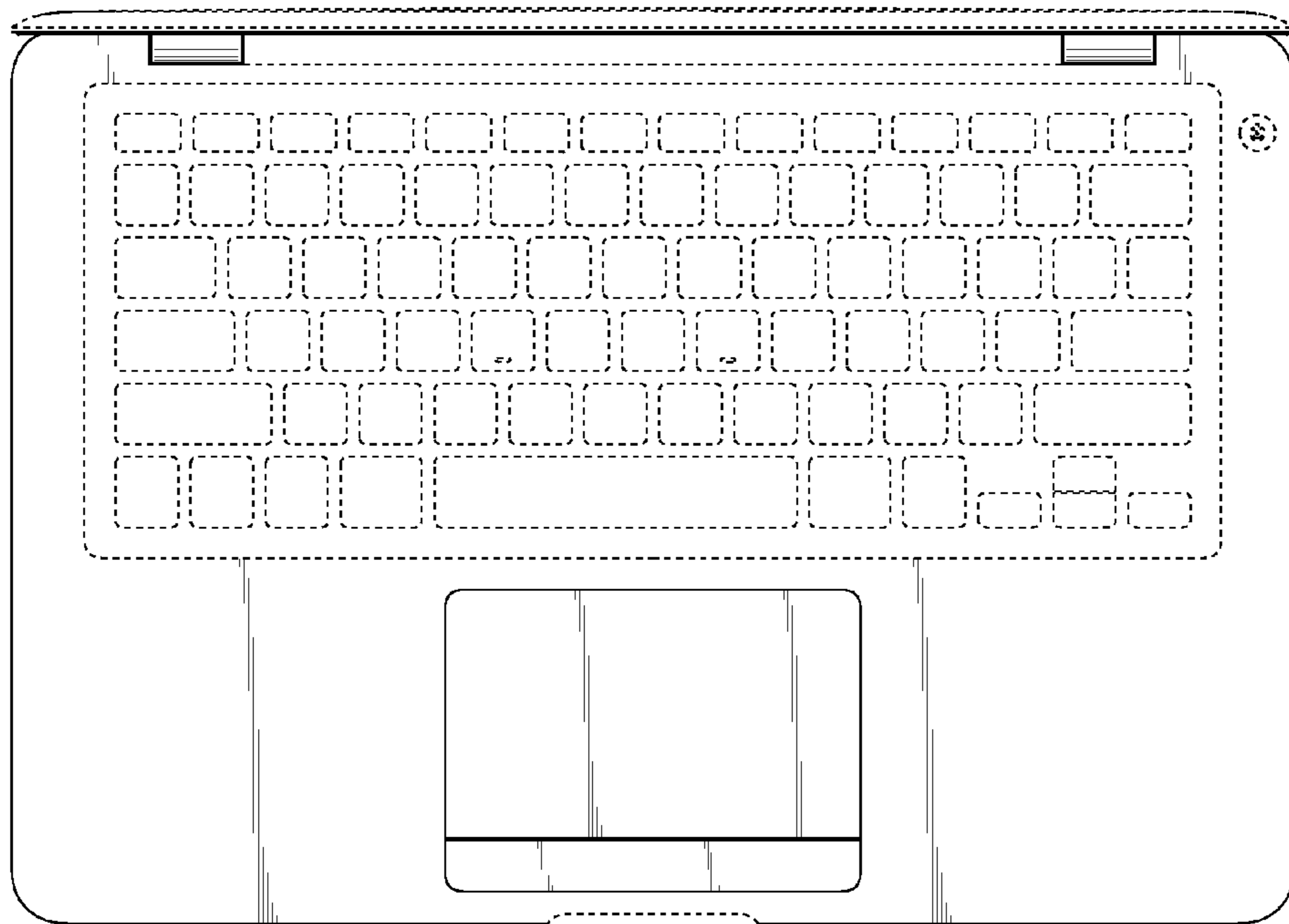


Fig. 1

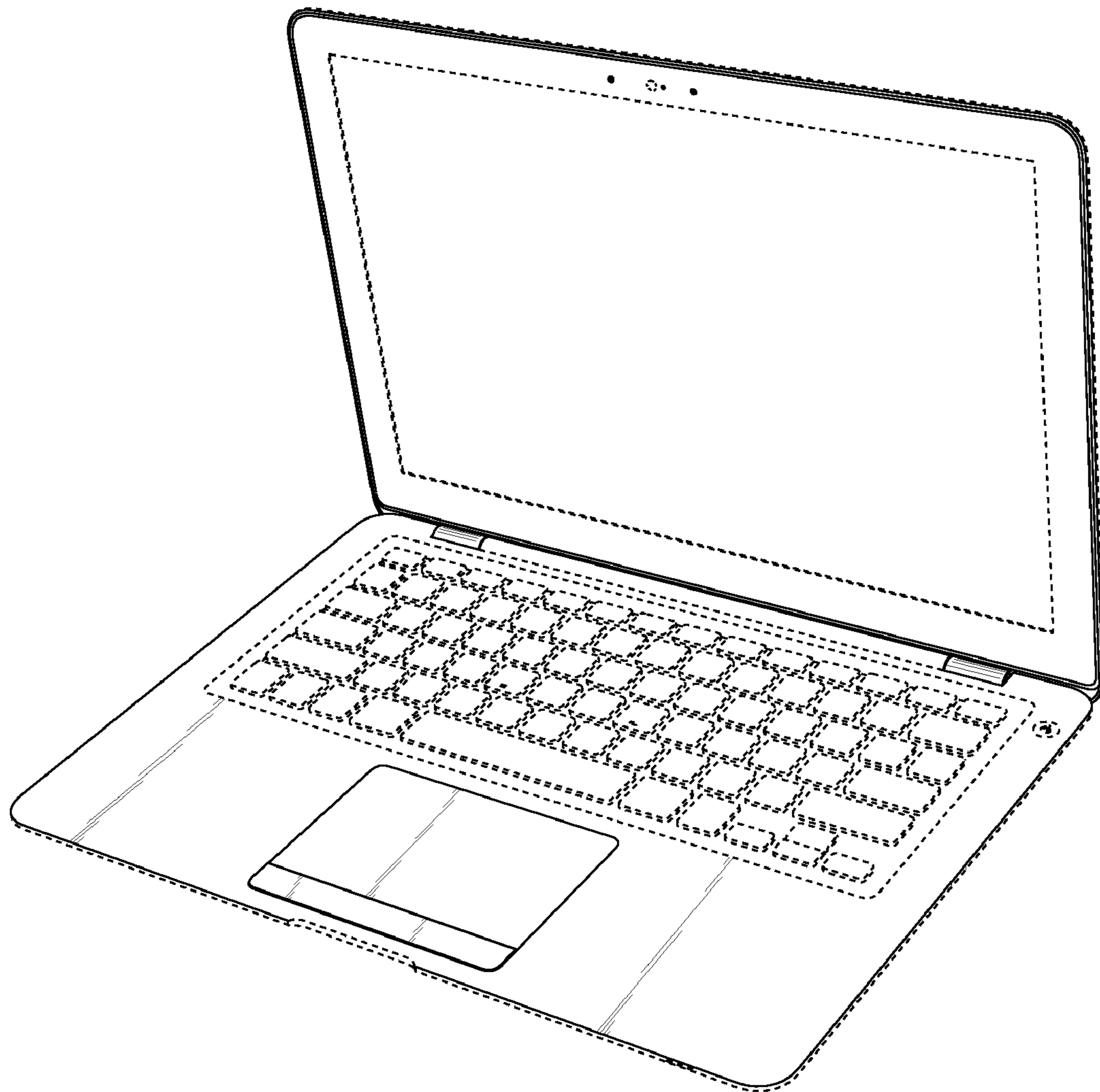


Fig. 2

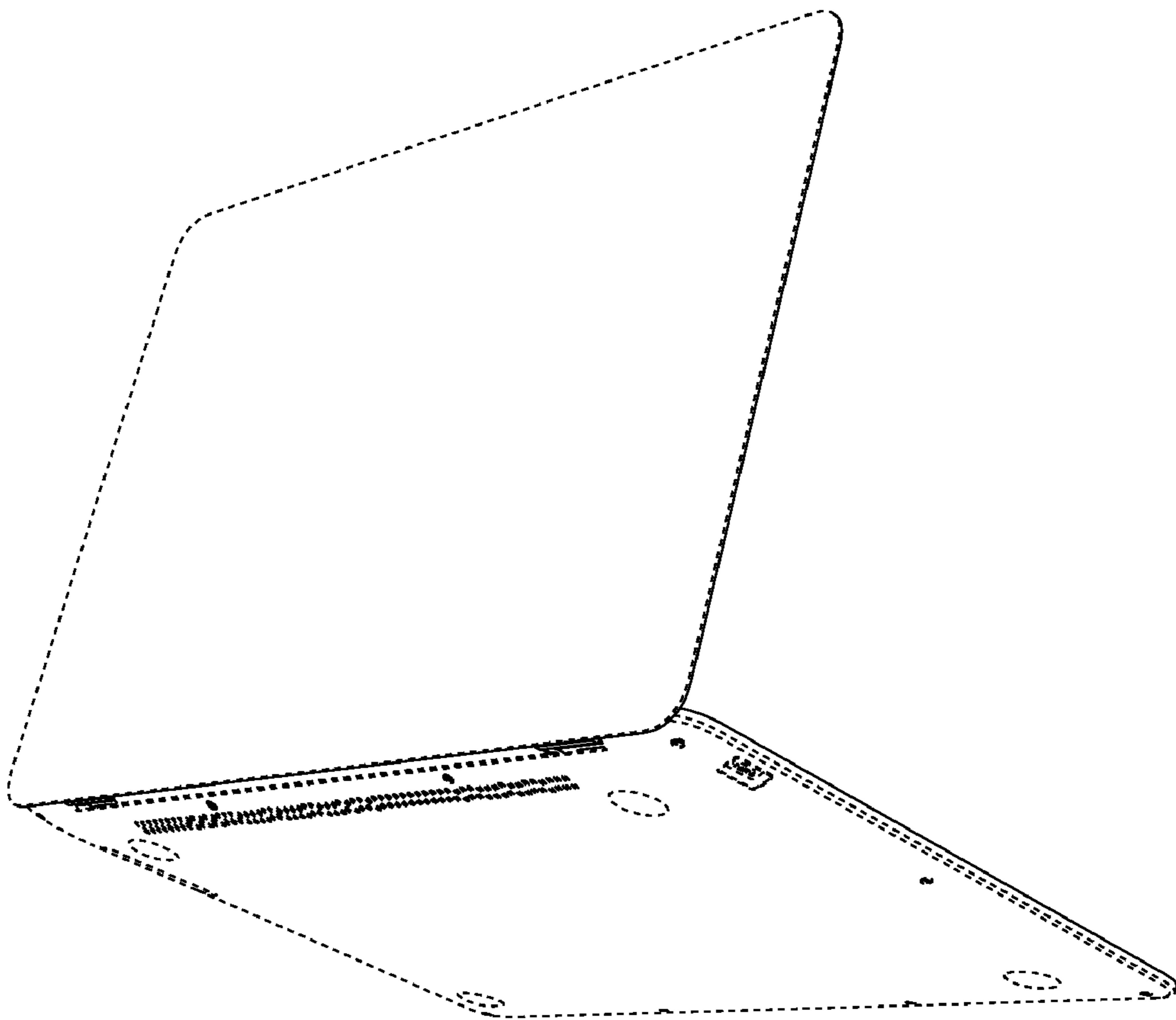


Fig. 3

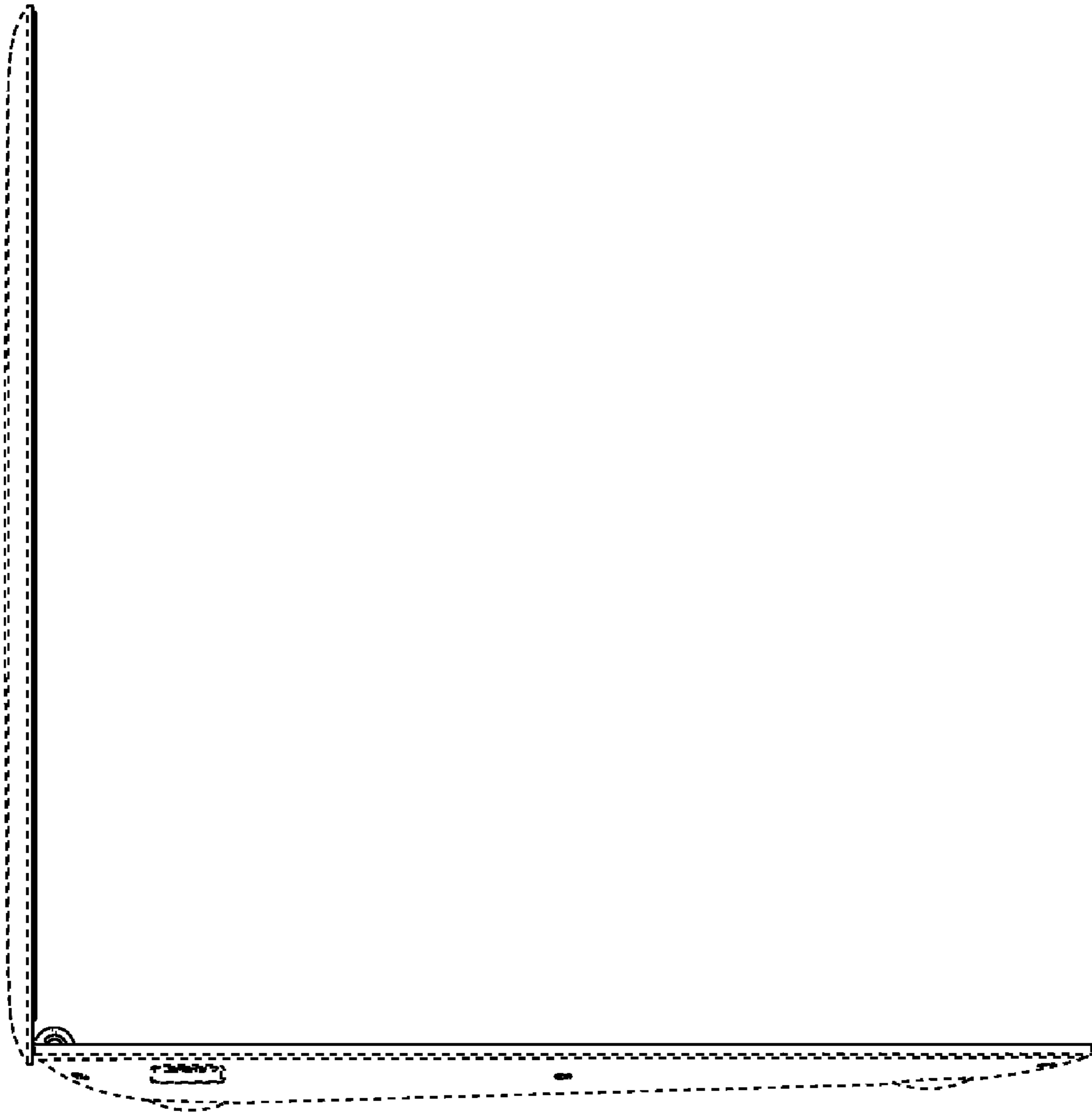


Fig. 4

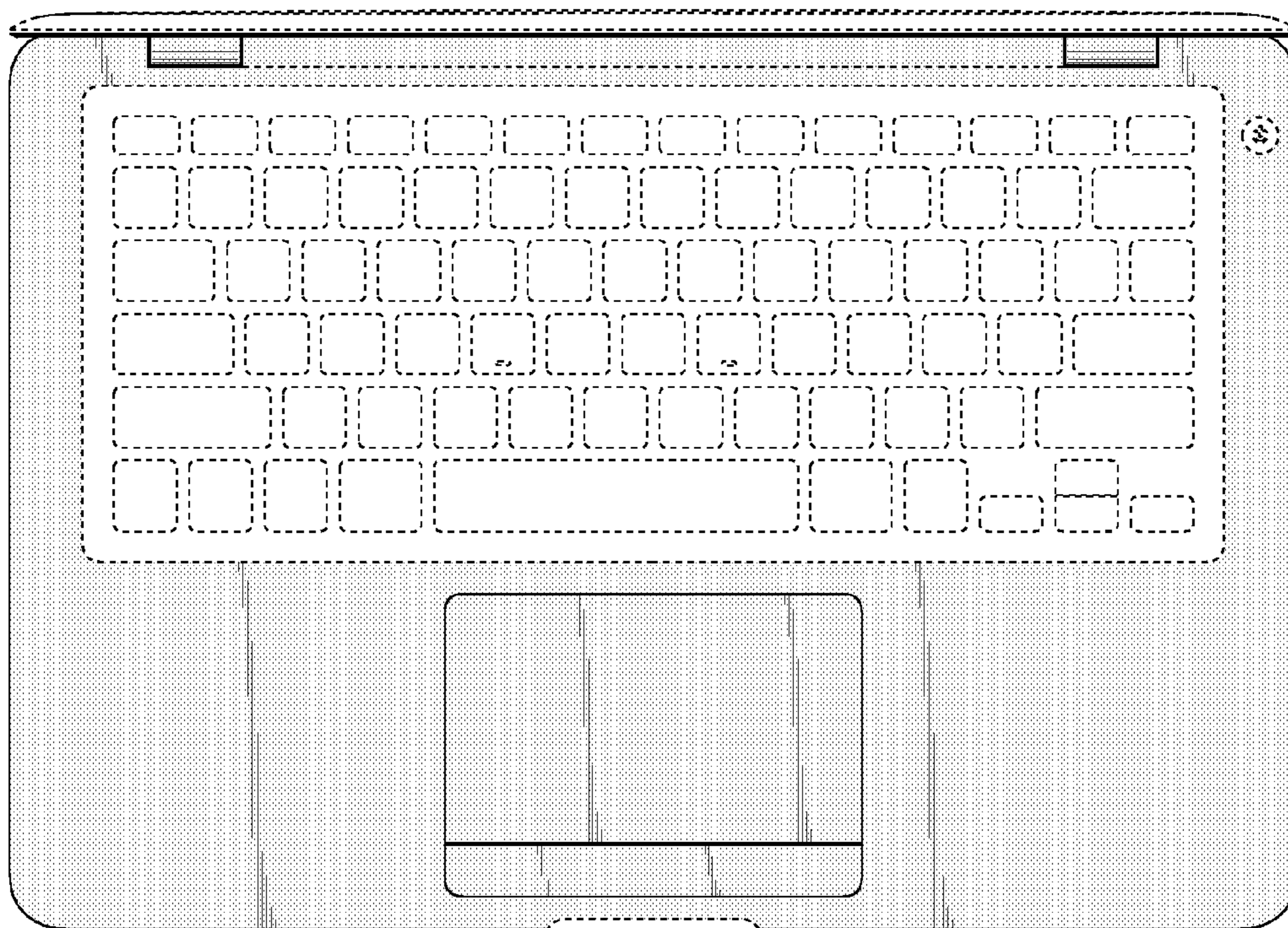


Fig. 5

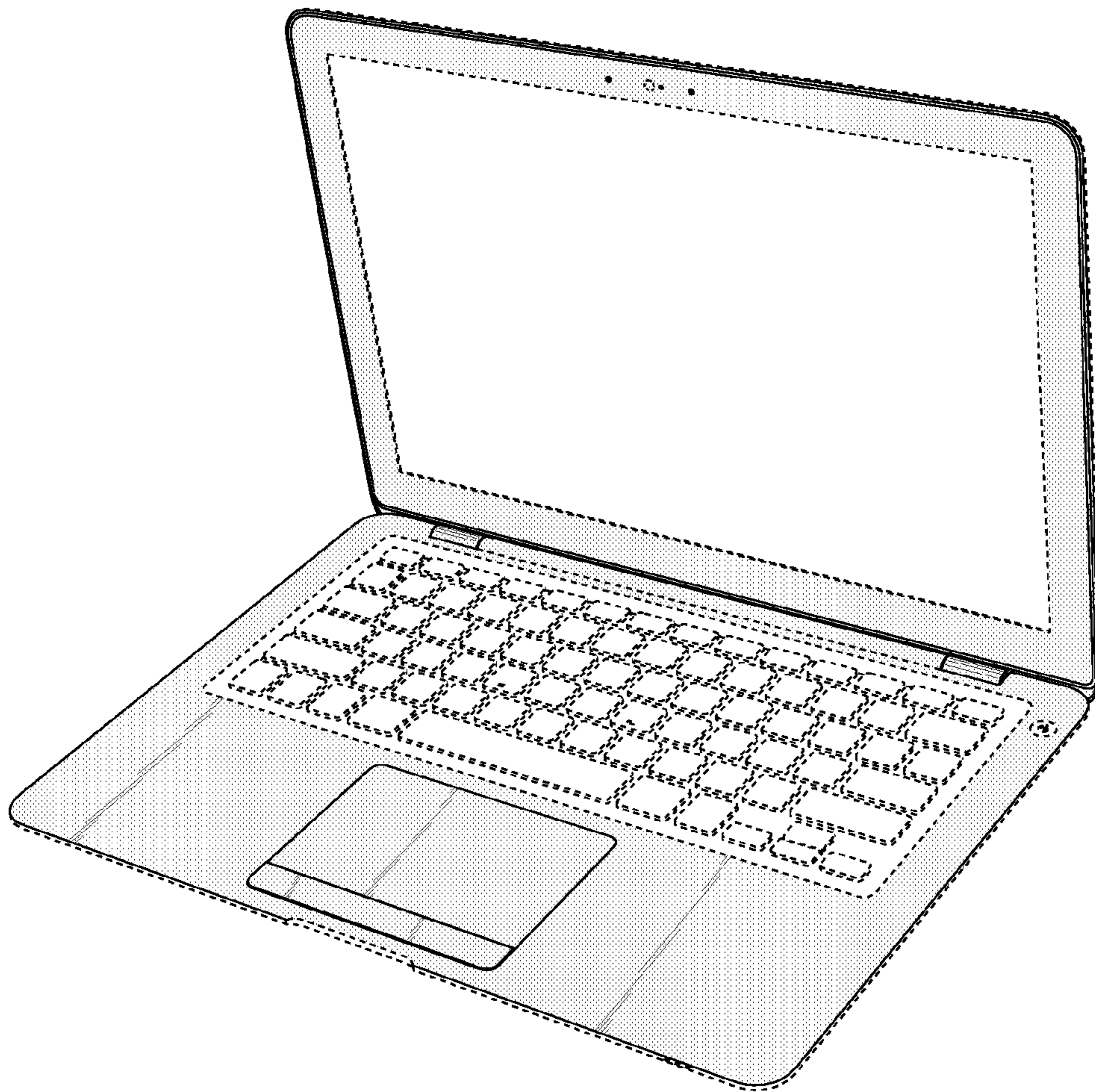


Fig. 6

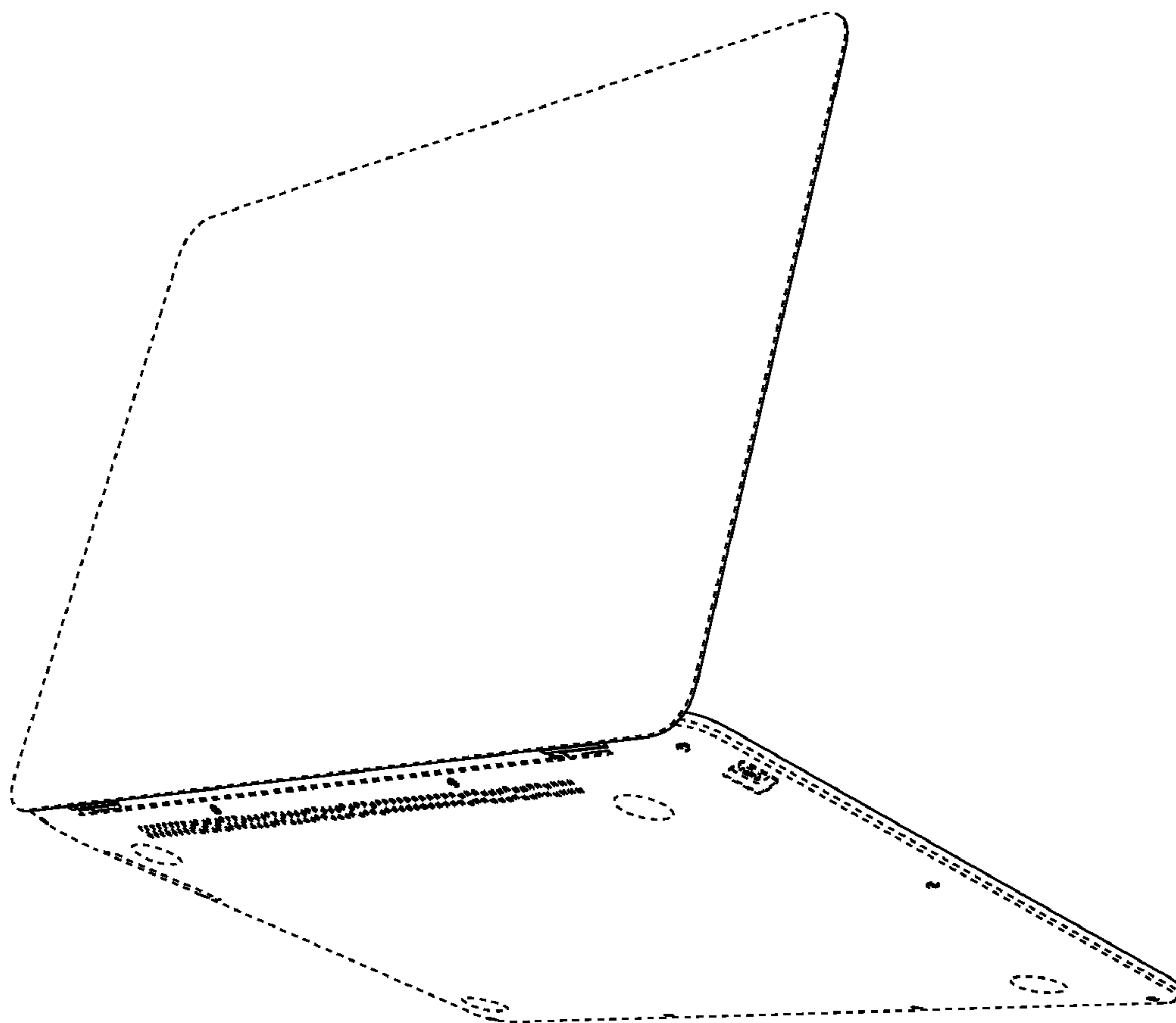


Fig. 7

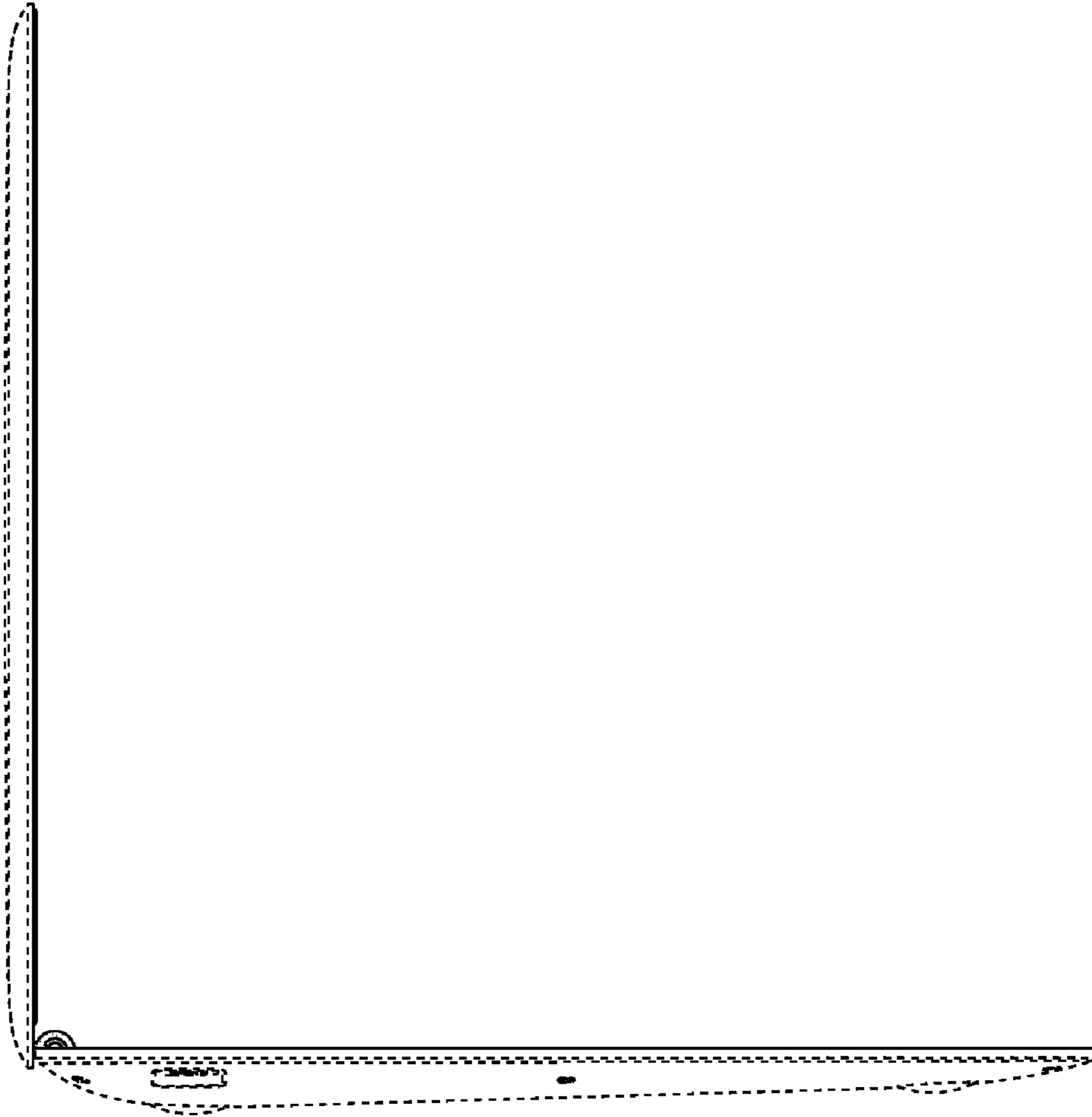


Fig. 8