



US00D635565S

(12) **United States Design Patent**
Li et al.

(10) **Patent No.:** **US D635,565 S**

(45) **Date of Patent:** **** Apr. 5, 2011**

(54) **LID OF NOTEBOOK COMPUTER**

(75) Inventors: **Chun-Hsing Li**, Taipei (TW);
Kuanpang Chen, Taipei (TW)

(73) Assignee: **Getac Technology Corporation**,
Hsinchu (TW)

(**) Term: **14 Years**

(21) Appl. No.: **29/377,749**

(22) Filed: **Oct. 25, 2010**

Related U.S. Application Data

(63) Continuation-in-part of application No. 29/363,043,
filed on Jun. 3, 2010, now Pat. No. Des. 628,196, and
a continuation-in-part of application No. 29/363,045,
filed on Jun. 3, 2010, now Pat. No. Des. 627,775, and
a continuation-in-part of application No. 29/363,047,
filed on Jun. 3, 2010, now Pat. No. Des. 628,197.

(51) **LOC (9) Cl.** **14-02**

(52) **U.S. Cl.** **D14/315**

(58) **Field of Classification Search** D14/315-328,
D14/341-345, 441, 444, 445; D18/1, 2,
D18/7, 11; 400/486, 489; 345/102, 104,
345/156, 163, 168; 341/22, 23; 361/679.08,
361/679.09, 679.26, 679.27

See application file for complete search history.

(56) **References Cited**

U.S. PATENT DOCUMENTS

D346,368 S * 4/1994 Miyashita et al. D14/327
D456,398 S * 4/2002 Horiki D14/328
D558,754 S * 1/2008 Takemasa et al. D14/328
D566,111 S * 4/2008 Nakagawa D14/315
D572,709 S * 7/2008 Nakagawa et al. D14/315

* cited by examiner

Primary Examiner — Freda S Nunn

(57) **CLAIM**

The ornamental design for a lid of notebook computer, as
shown and described.

DESCRIPTION

FIG. 1 is a perspective view showing a first embodiment of
my new design, in which a narrow horizontal bar on the lid of
the notebook computer is arranged between two wider hori-
zontal bars;

FIG. 2 is a front elevational view of the first embodiment of
my new design;

FIG. 3 is a rear elevational view of the first embodiment of my
new design;

FIG. 4 is a left side elevational view of the first embodiment
of my new design;

FIG. 5 is a right side elevational view of the first embodiment
of my new design;

FIG. 6 is a top plan view of the first embodiment of my new
design;

FIG. 7 is a bottom plan view of the first embodiment of my
new design;

FIG. 8 is a perspective view showing a second embodiment of
my new design, in which two narrow horizontal bars on the lid
of the notebook computer are arranged outside two wider
horizontal bars;

FIG. 9 is a front elevational view of the second embodiment of
my new design;

FIG. 10 is a rear elevational view of the second embodiment
of my new design;

FIG. 11 is a left side elevational view of the second embodi-
ment of my new design;

FIG. 12 is a right side elevational view of the second embodi-
ment of my new design;

FIG. 13 is a top plan view of the second embodiment of my
new design;

FIG. 14 is a bottom plan view of the second embodiment of
my new design;

FIG. 15 is a perspective view showing a third embodiment of
my new design, in which narrow horizontal bars on the lid of
the notebook computer are arranged between and outside two
wider horizontal bars;

FIG. 16 is a front elevational view of the third embodiment of
my new design;

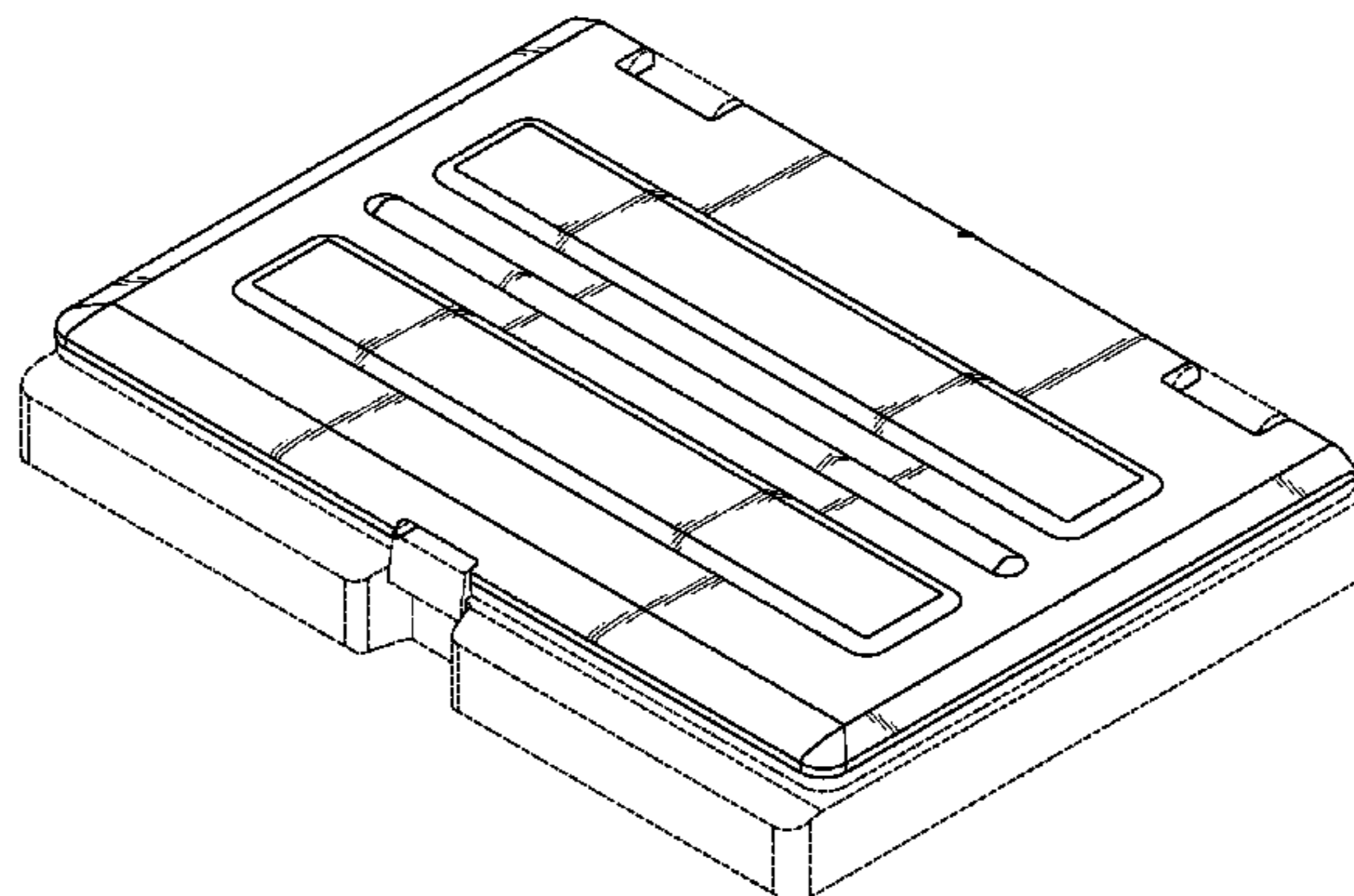


FIG. 17 is a rear elevational view of the third embodiment of my new design;

FIG. 18 is a left side elevational view of the third embodiment of my new design;

FIG. 19 is a right side elevational view of the third embodiment of my new design;

FIG. 20 is a top plan view of the third embodiment of my new design;

FIG. 21 is a bottom plan view of the third embodiment of my new design;

FIG. 22 is a perspective view showing a fourth embodiment of my new design, in which wide horizontal bars on the lid of the notebook computer are arranged between and outside two narrower horizontal bars;

FIG. 23 is a front elevational view of the fourth embodiment of my new design;

FIG. 24 is a rear elevational view of the fourth embodiment of my new design;

FIG. 25 is a left side elevational view of the fourth embodiment of my new design;

FIG. 26 is a right side elevational view of the fourth embodiment of my new design;

FIG. 27 is a top plan view of the fourth embodiment of my new design; and,

FIG. 28 is a bottom plan view of the fourth embodiment of my new design.

The broken lines which illustrate the environmental structure of the claimed design form no part thereof.

1 Claim, 20 Drawing Sheets

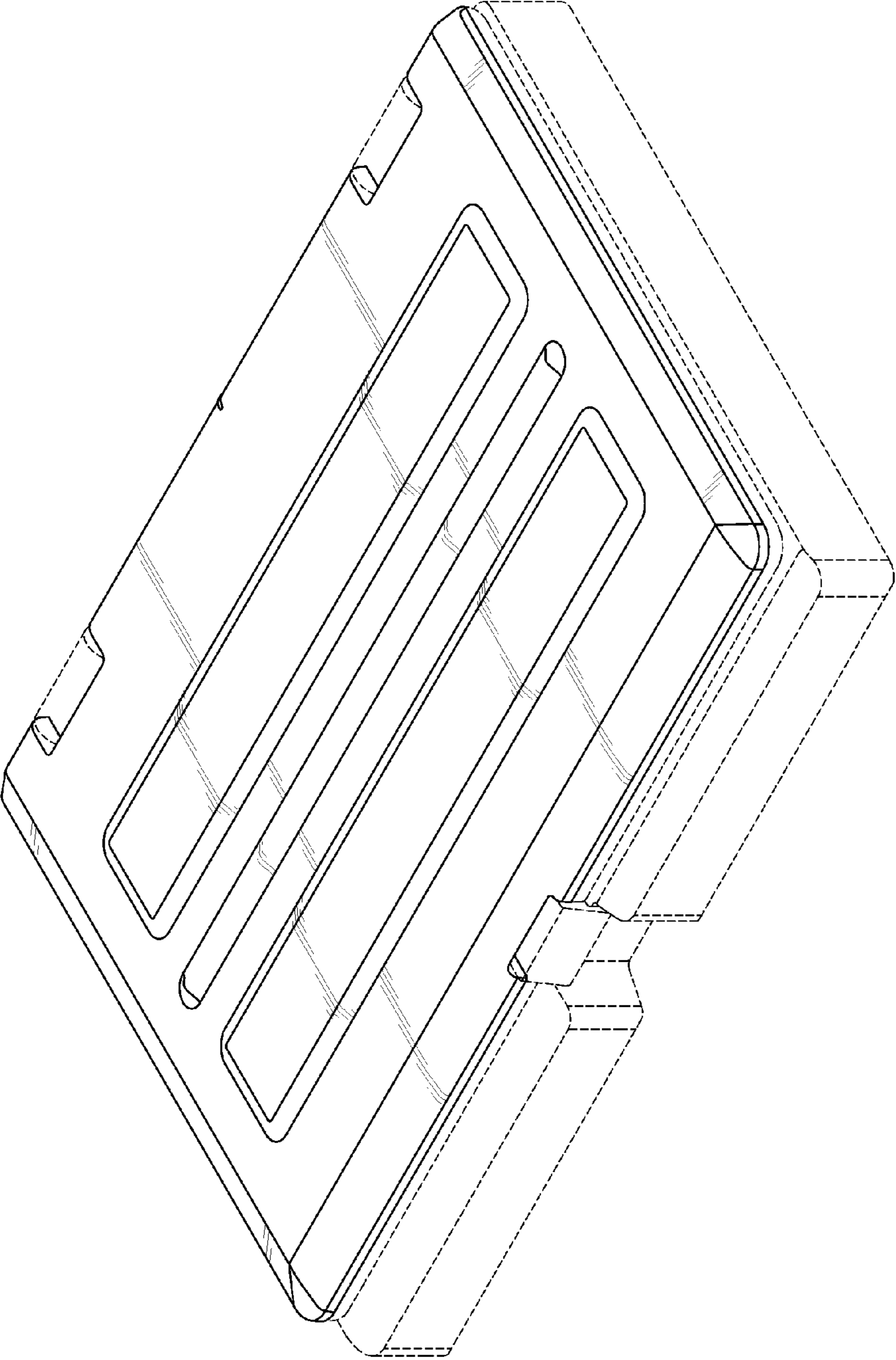


FIG.1

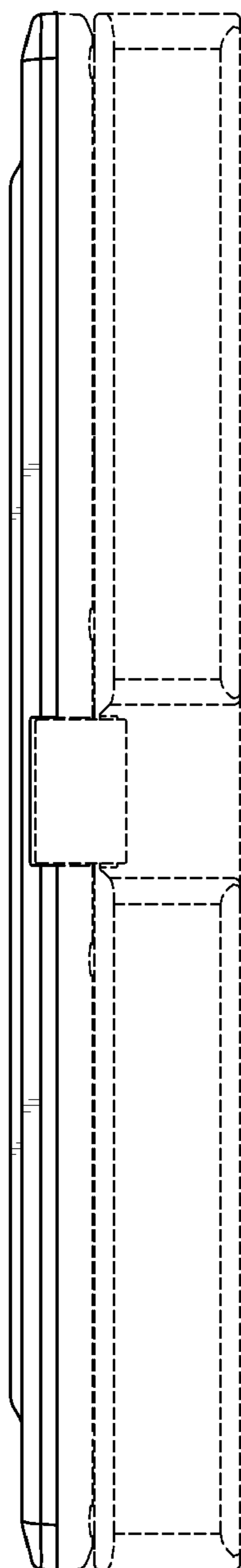


FIG. 2

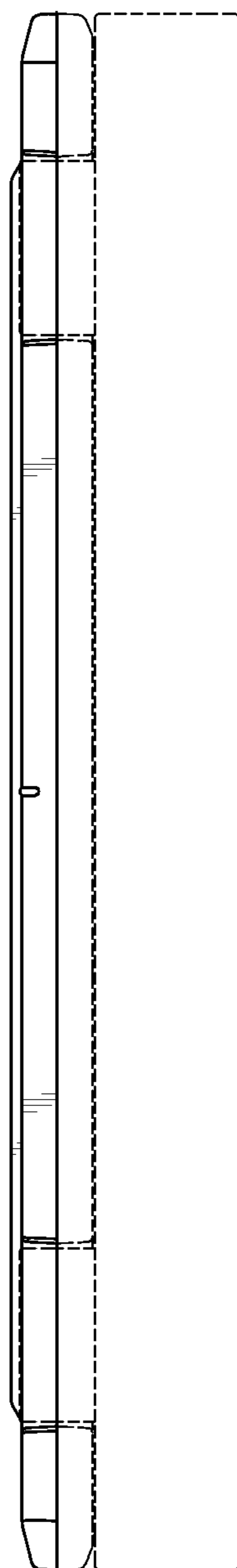


FIG. 3

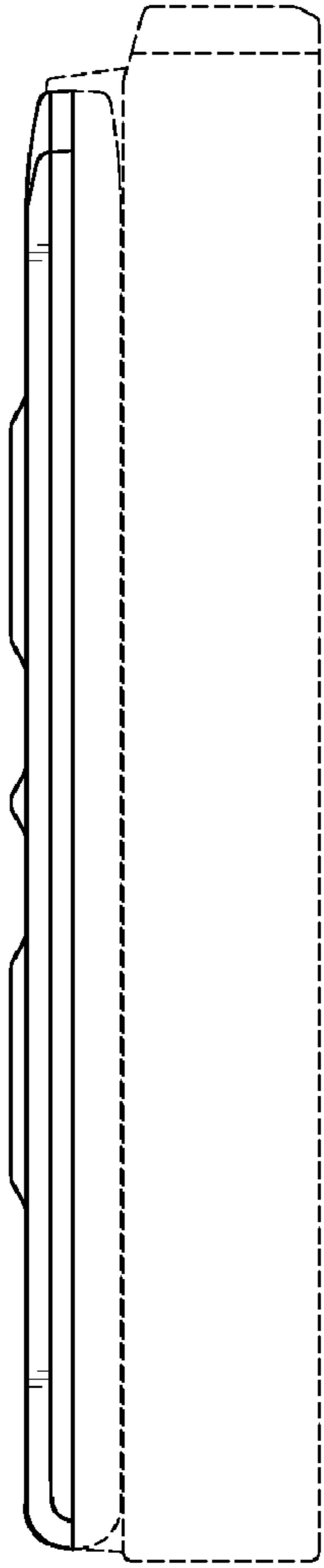


FIG. 4

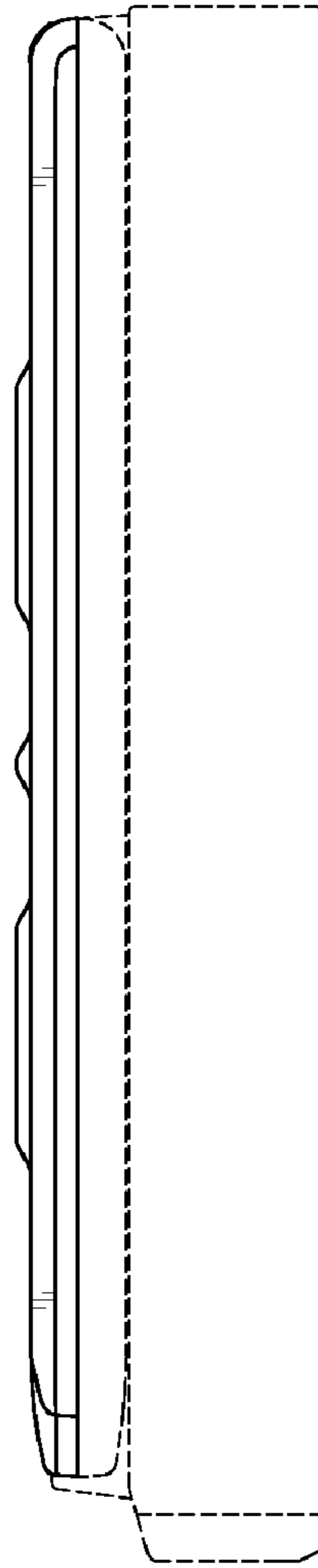


FIG. 5

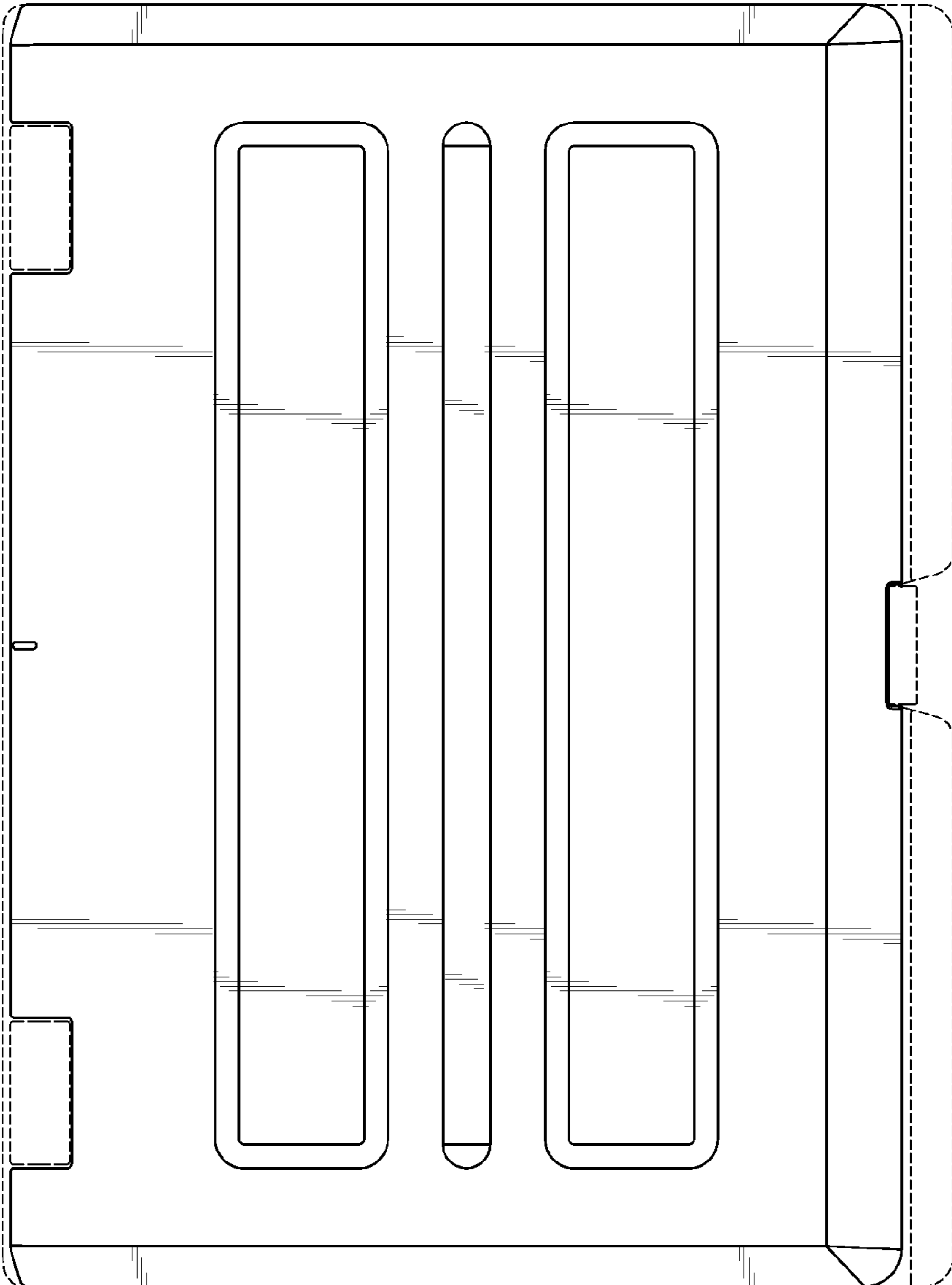


FIG.6

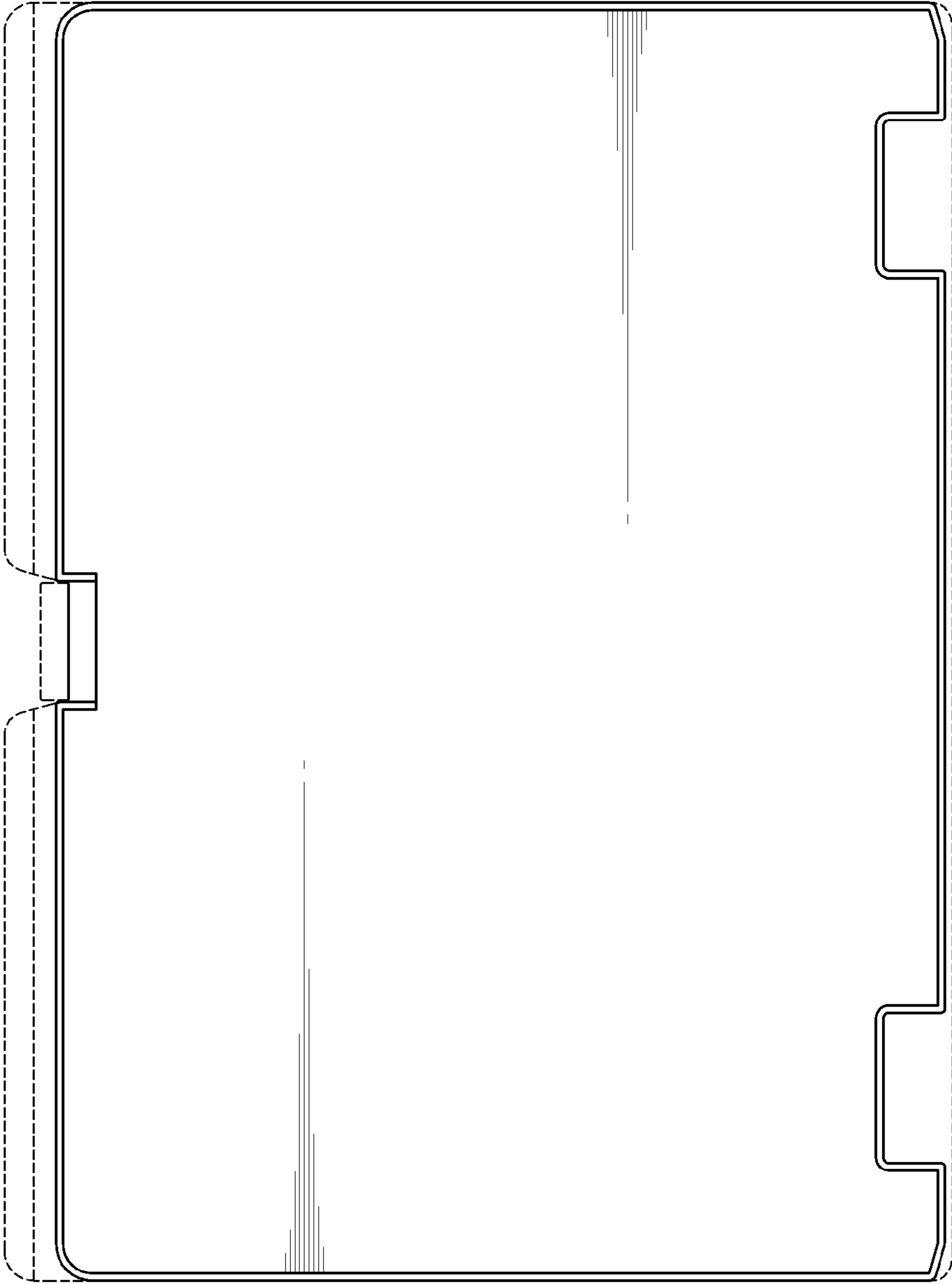


FIG.7

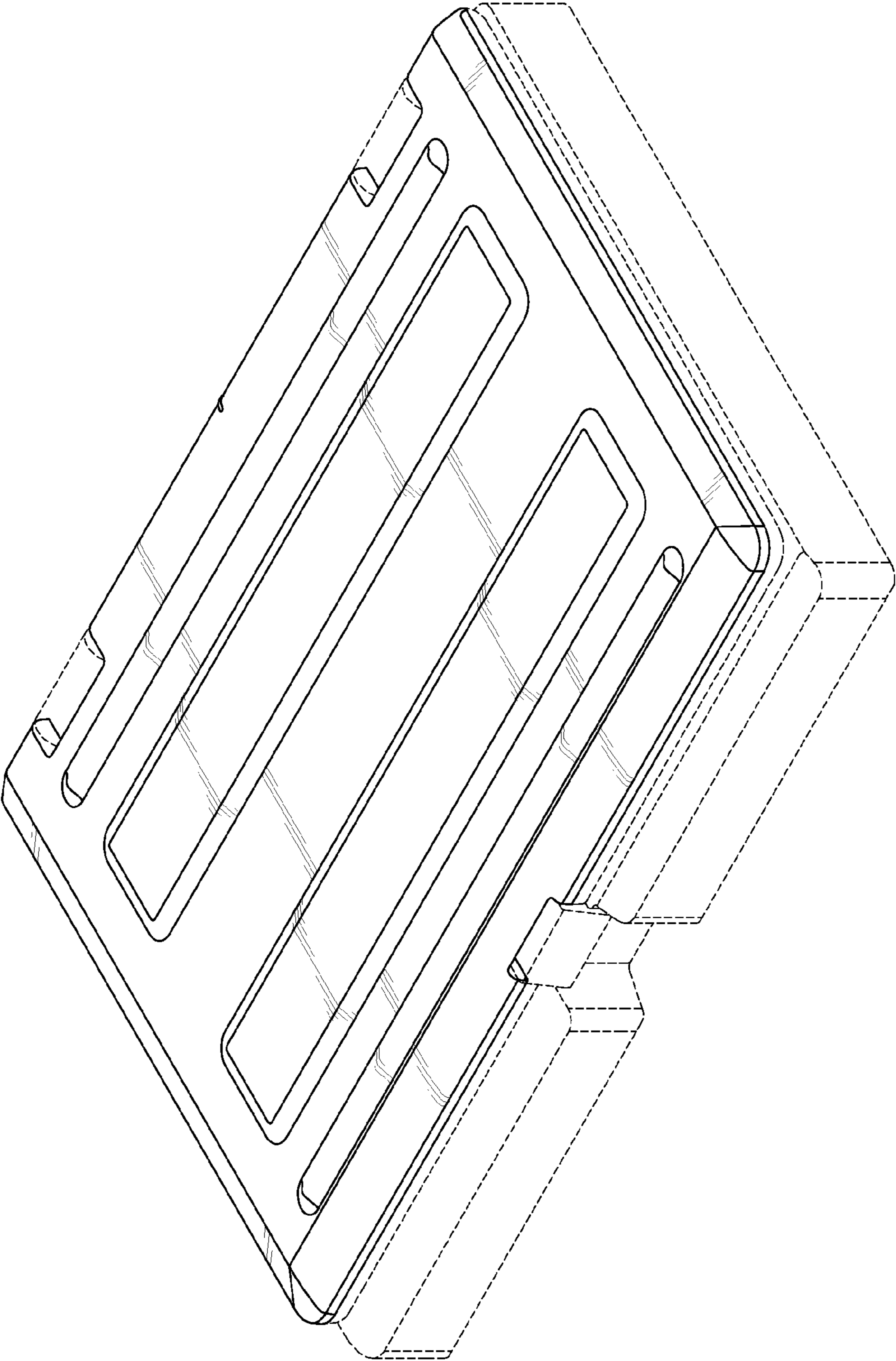


FIG.8

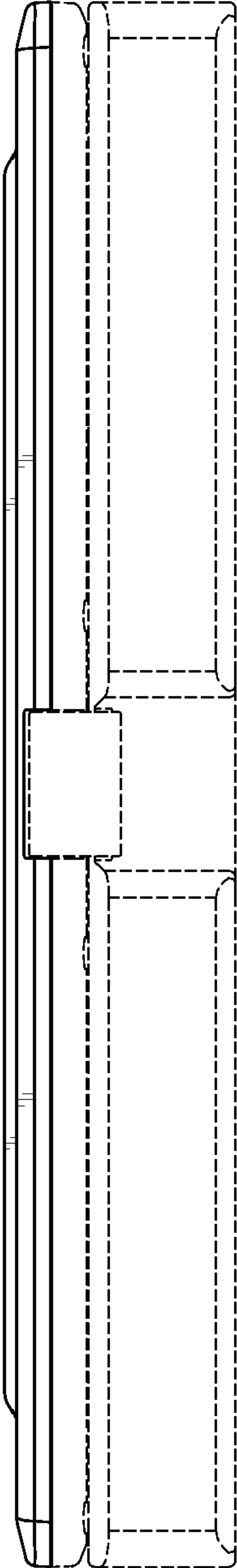


FIG. 9

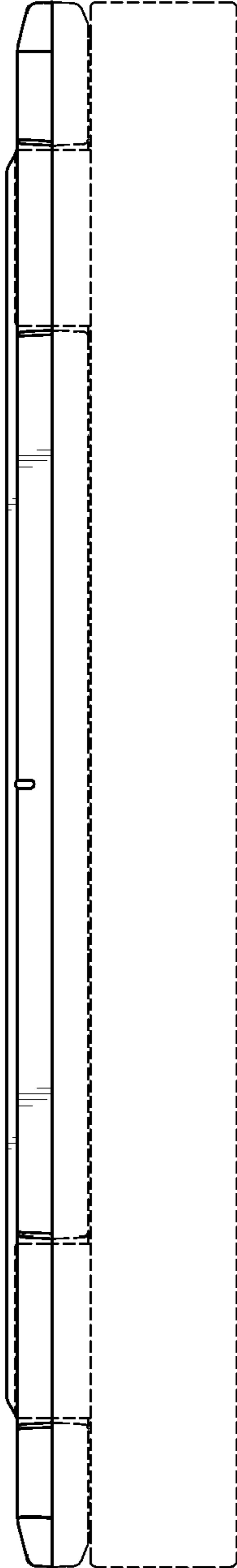


FIG. 10

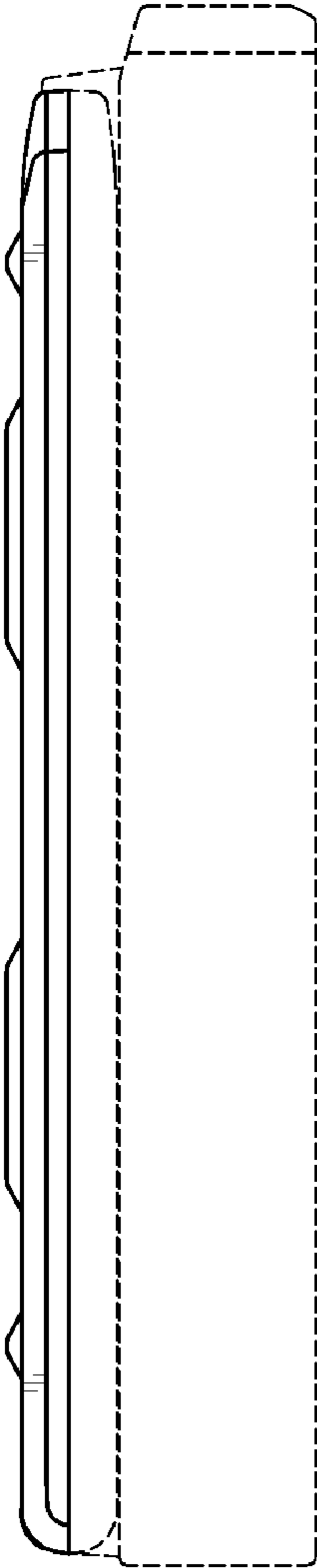


FIG. 11

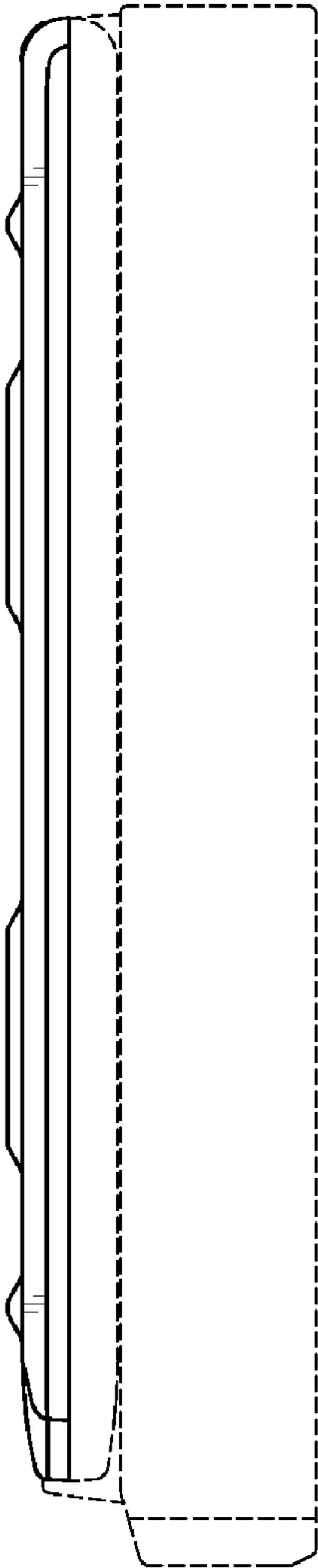


FIG. 12

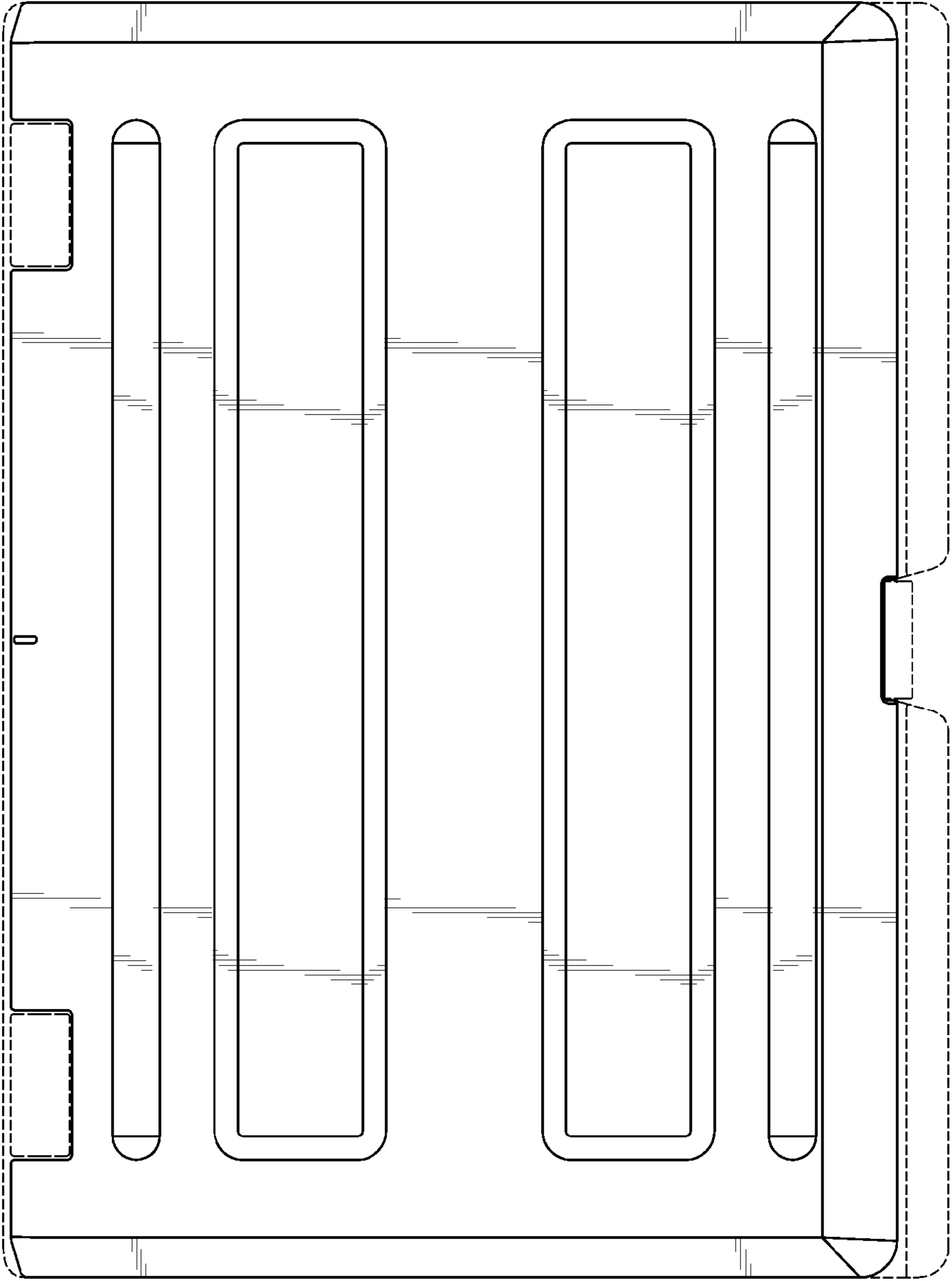


FIG.13

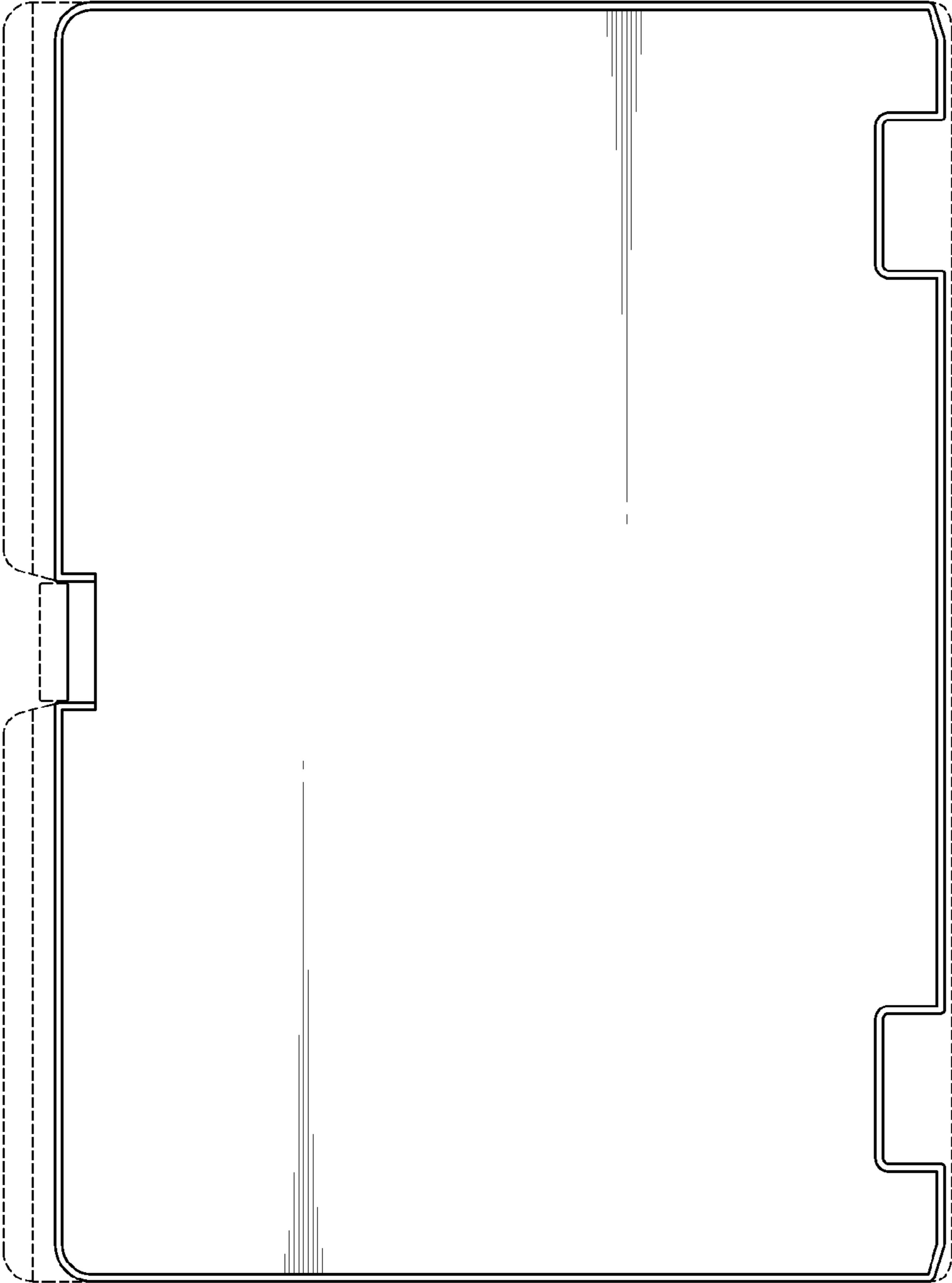


FIG.14

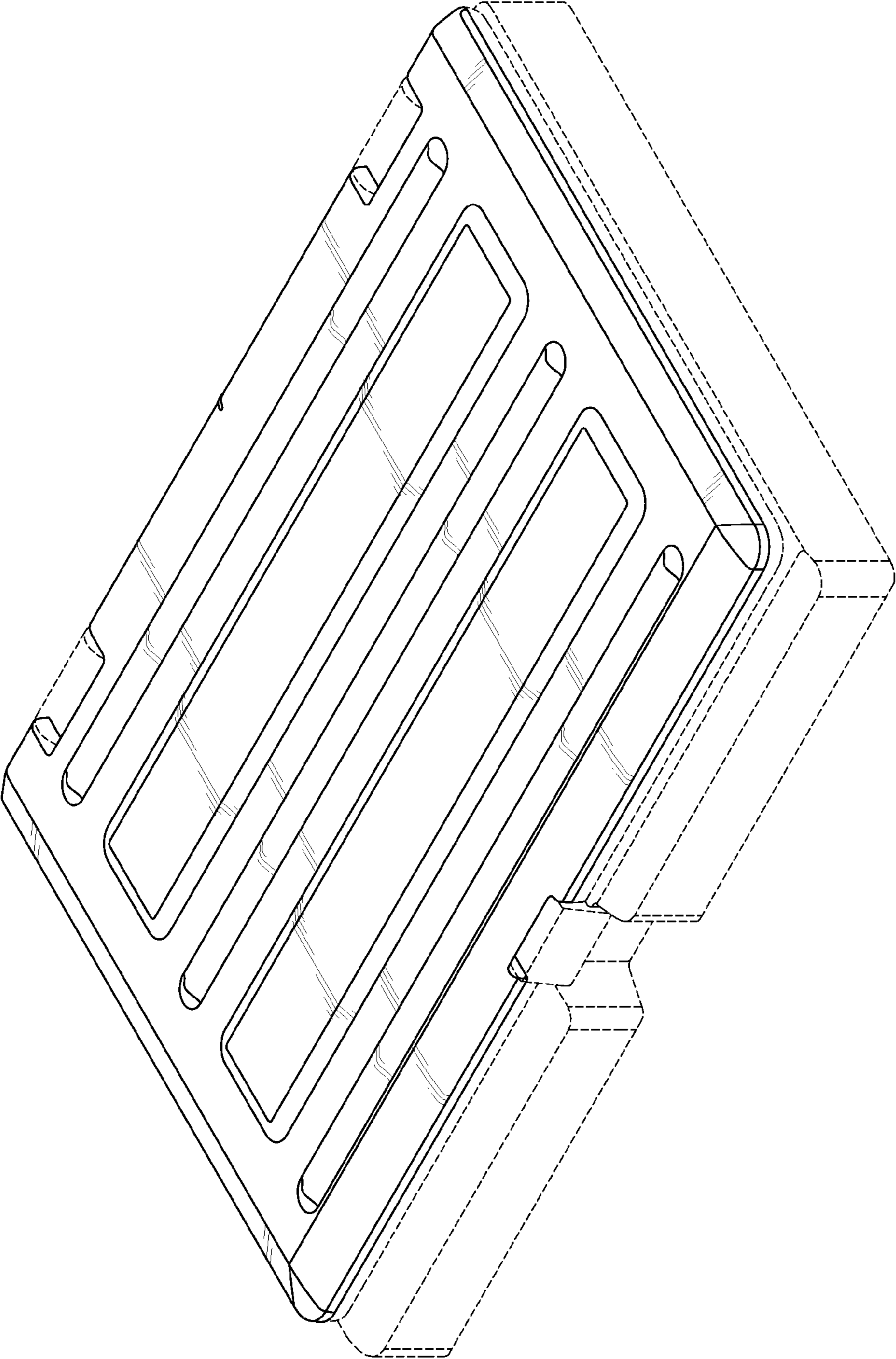


FIG.15

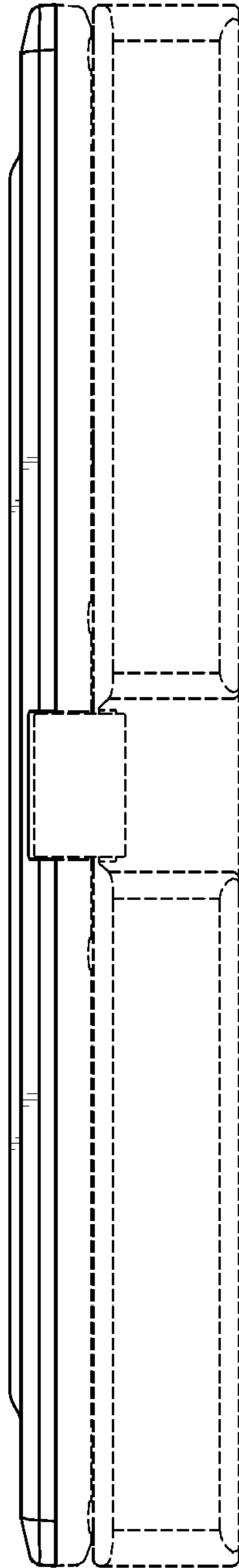


FIG. 16

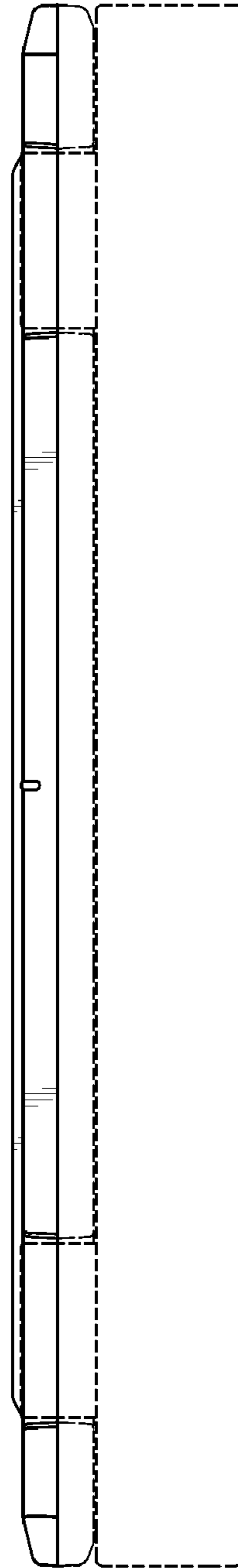


FIG. 17

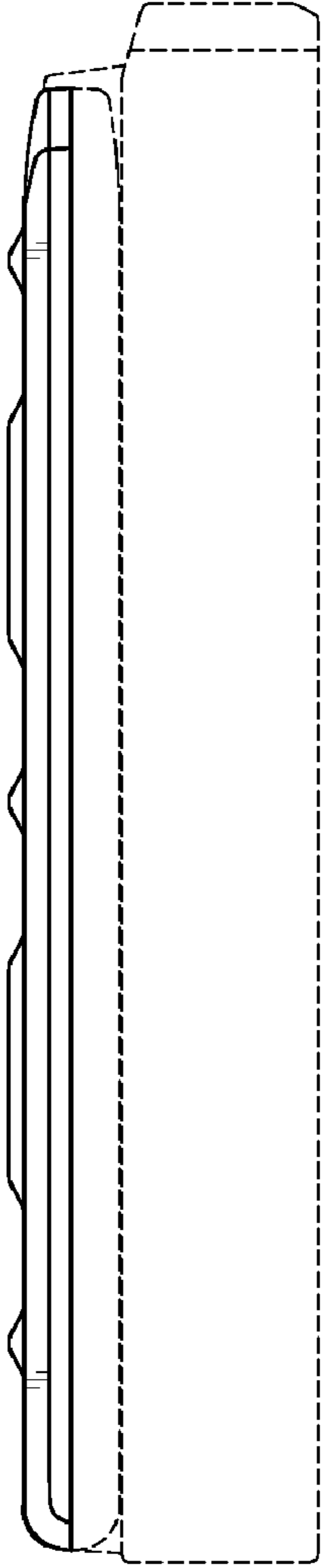


FIG. 18

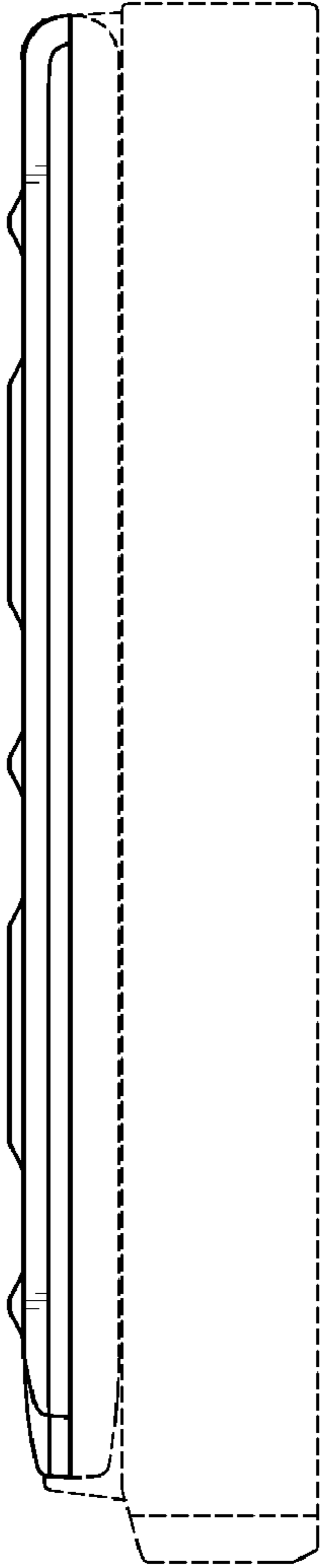


FIG. 19

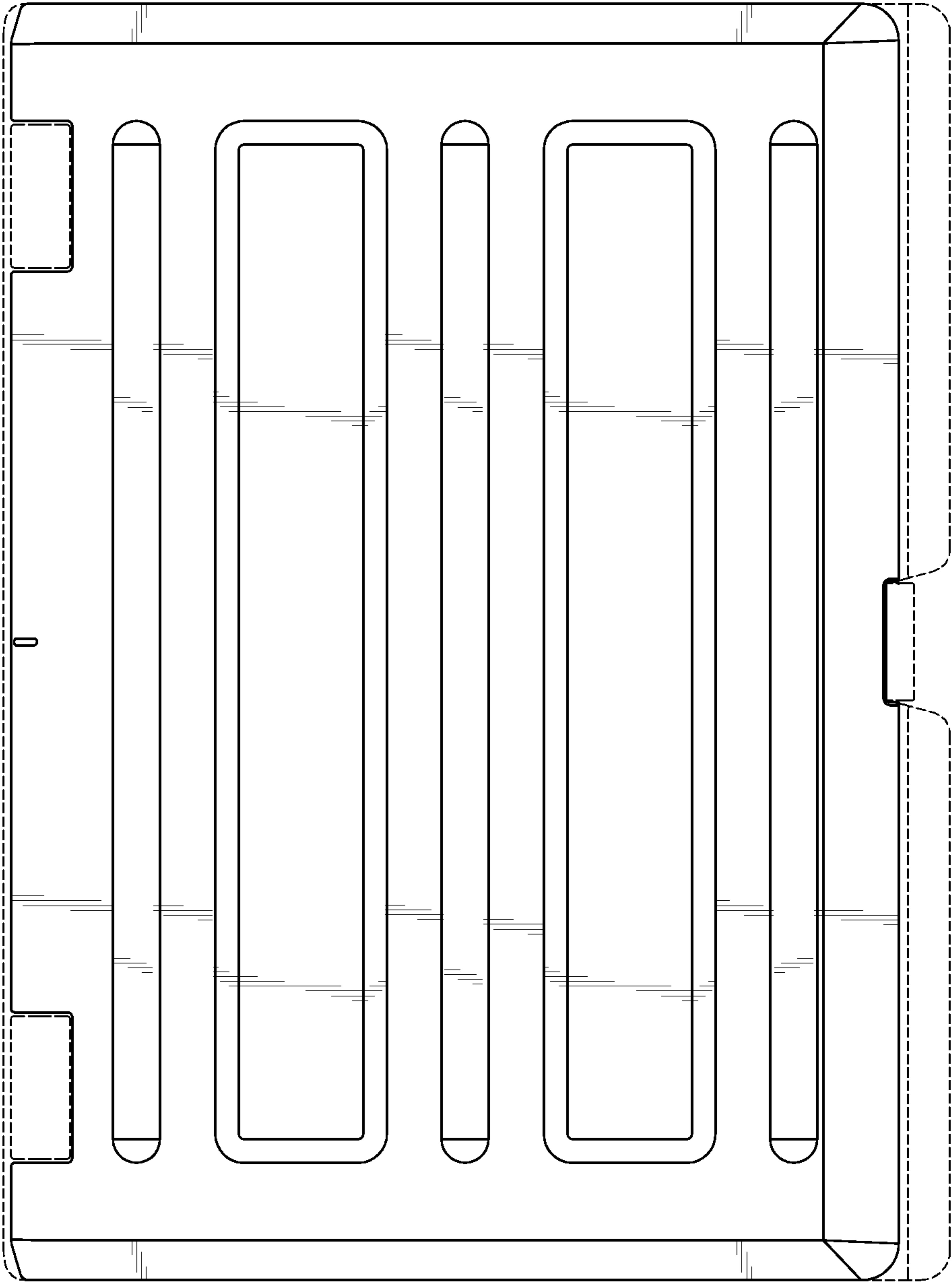


FIG.20

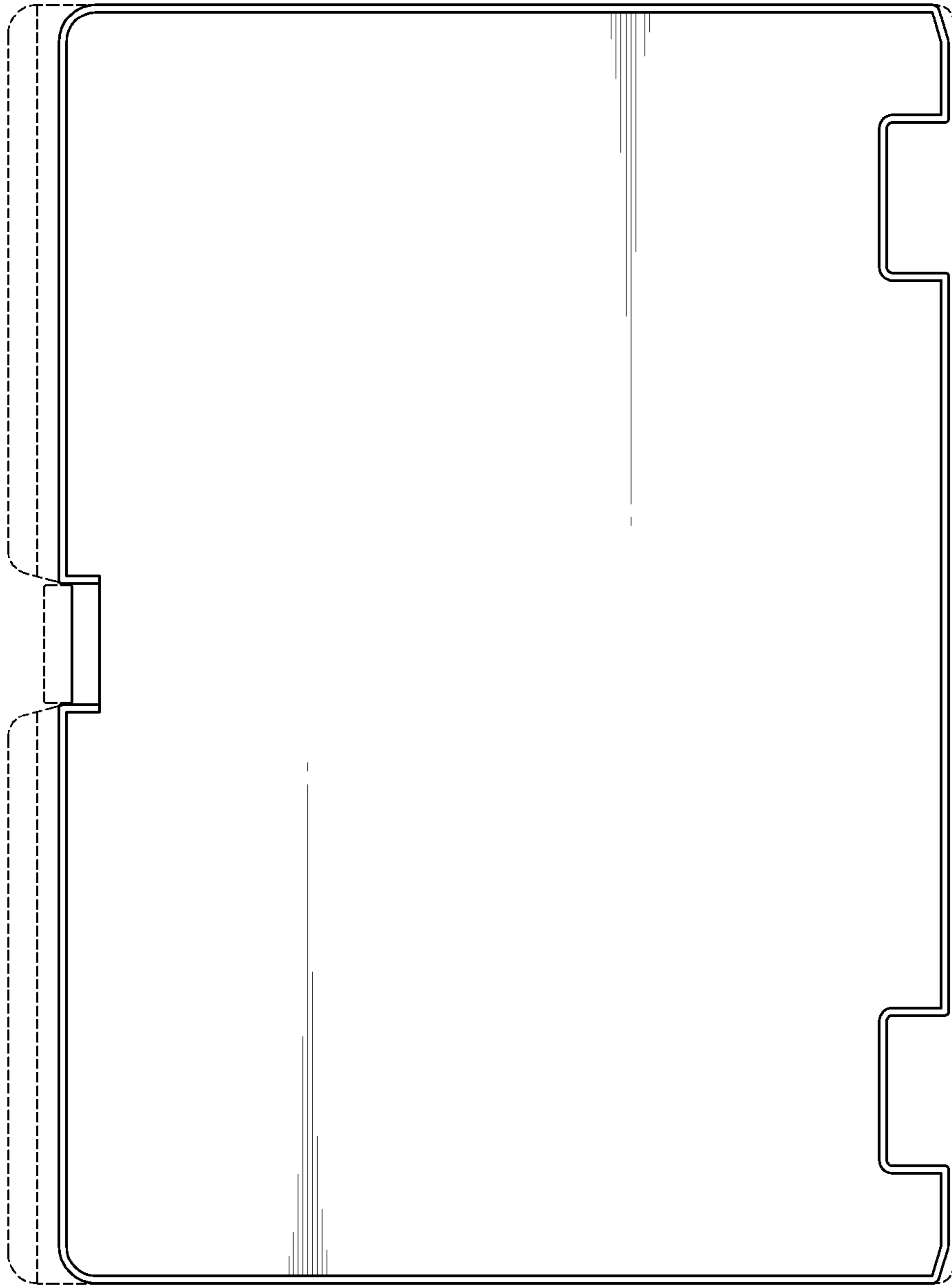


FIG.21

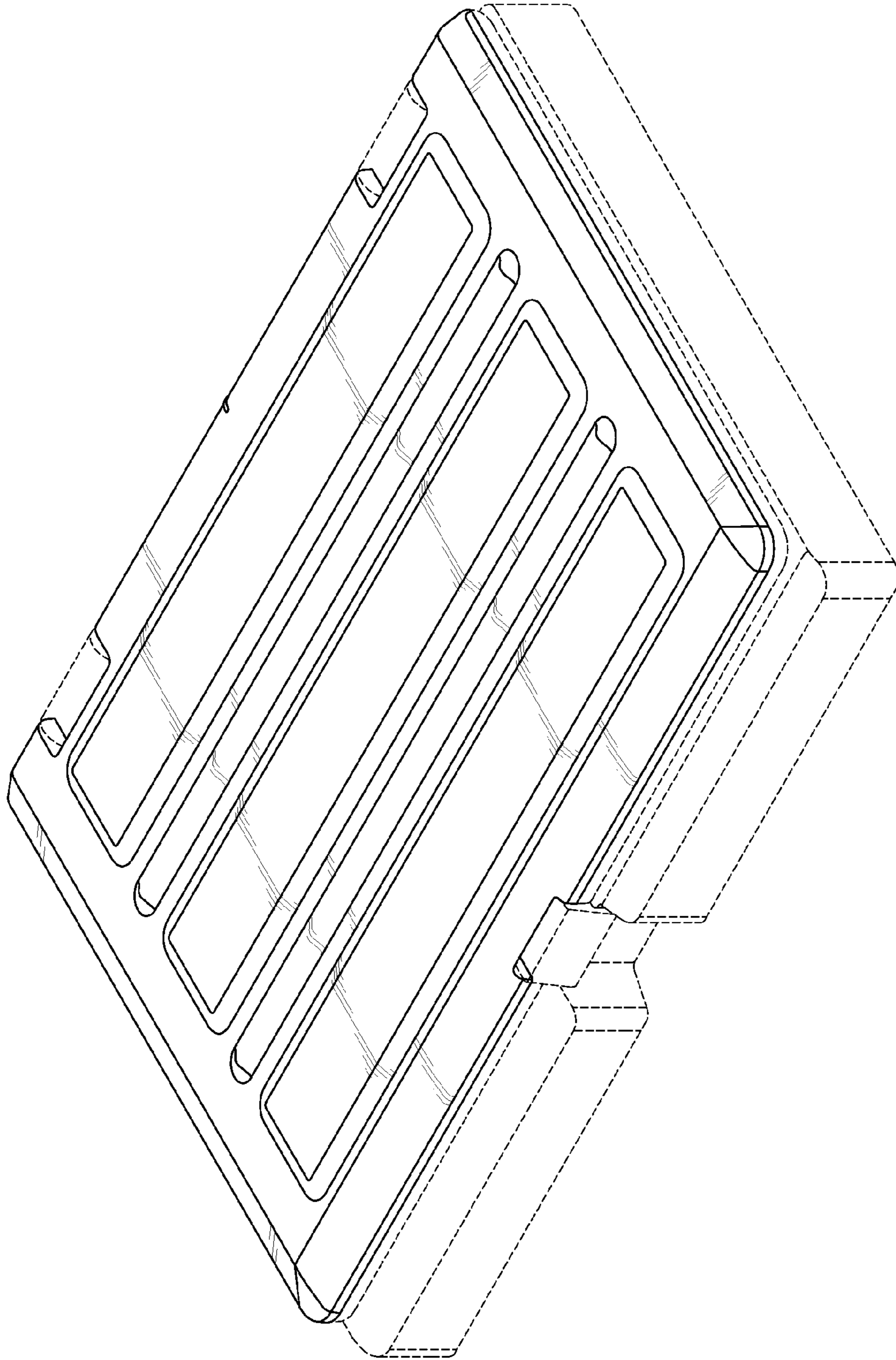


FIG.22

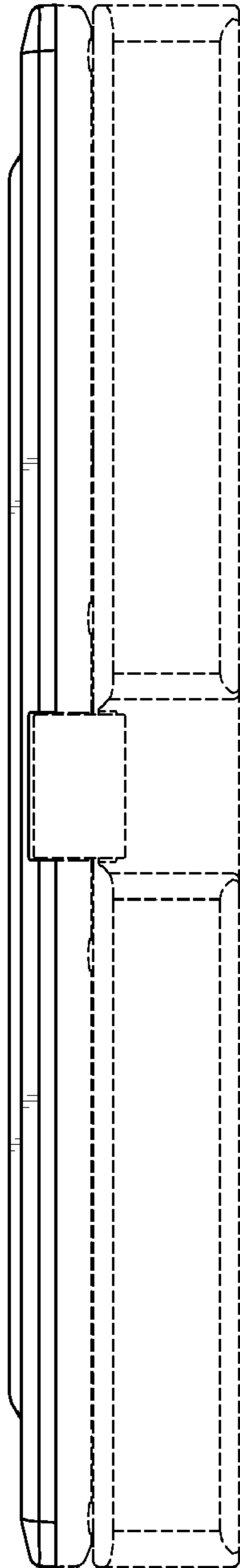


FIG. 23

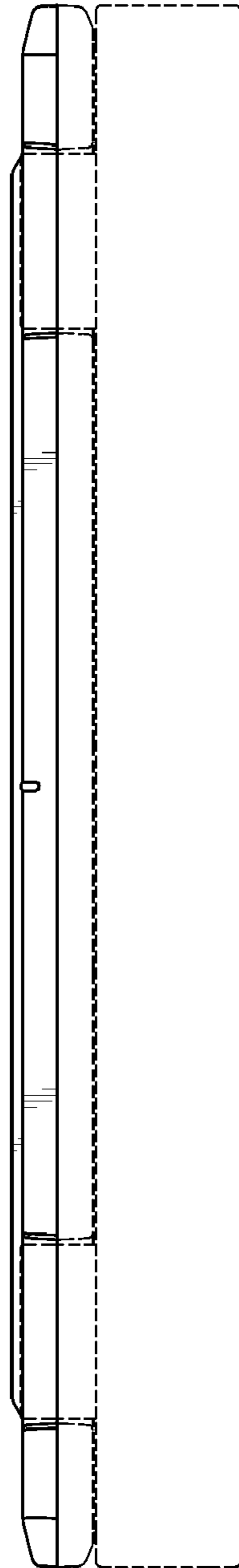


FIG. 24

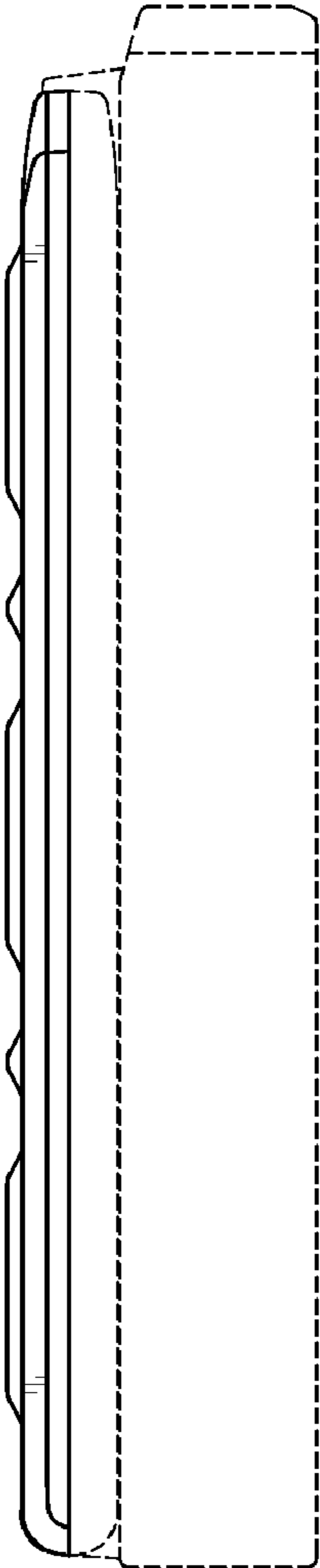


FIG. 25

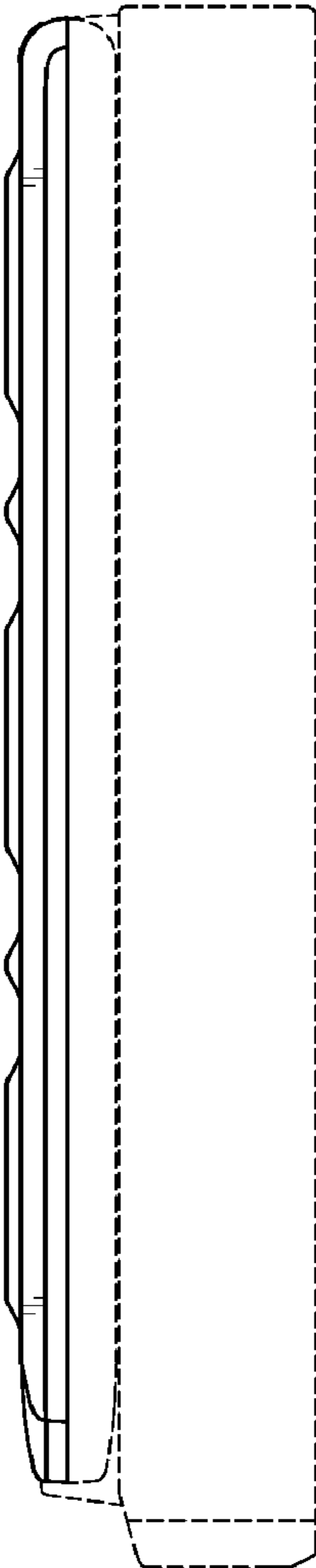


FIG. 26

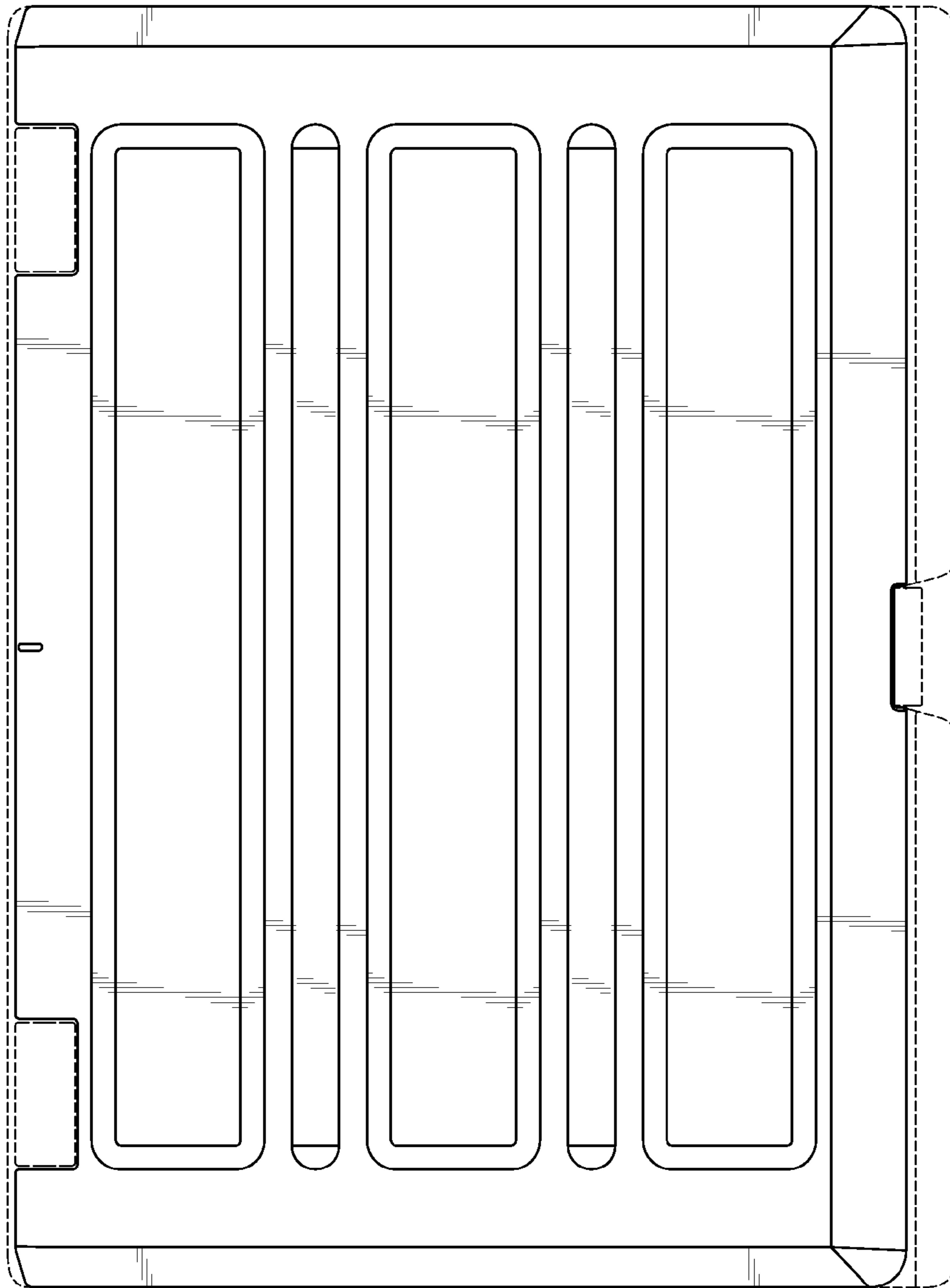


FIG.27

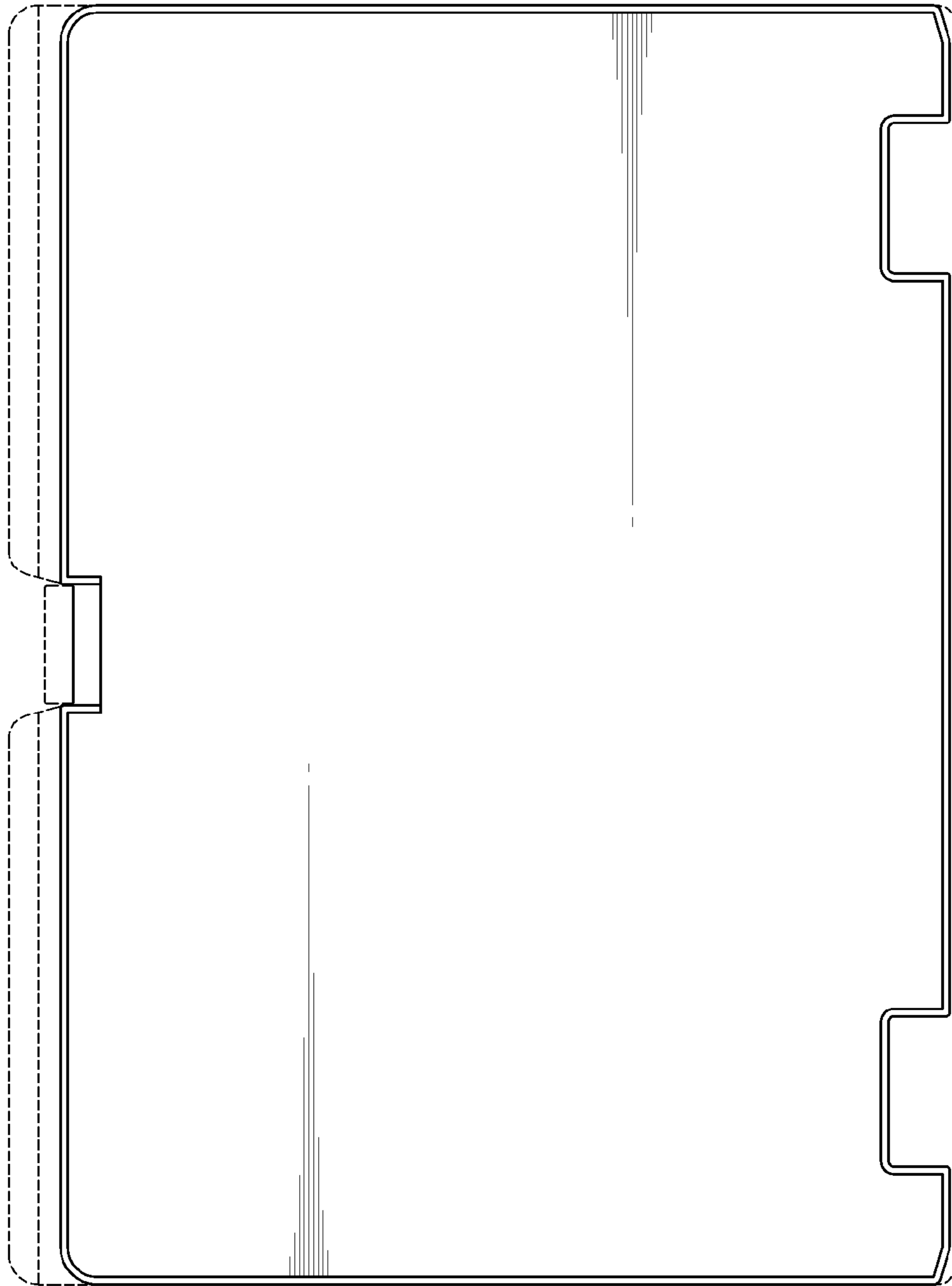


FIG.28