



US00D635564S

(12) **United States Design Patent**  
**Li**

(10) **Patent No.:** **US D635,564 S**  
(45) **Date of Patent:** **\*\* Apr. 5, 2011**

(54) **LID OF NOTEBOOK COMPUTER**

**DESCRIPTION**

- (75) Inventor: **Chun-Hsing Li**, Taipei (TW)
- (73) Assignee: **Getac Technology Corporation**, Hsinchu (TW)
- (\*\*) Term: **14 Years**
- (21) Appl. No.: **29/377,741**
- (22) Filed: **Oct. 25, 2010**

**Related U.S. Application Data**

- (63) Continuation-in-part of application No. 29/363,043, filed on Jun. 3, 2010, now Pat. No. Des. 628,196, and a continuation-in-part of application No. 29/363,045, filed on Jun. 3, 2010, now Pat. No. Des. 627,775, and a continuation-in-part of application No. 29/363,047, filed on Jun. 3, 2010, now Pat. No. Des. 628,197.

- (51) **LOC (9) Cl.** ..... **14-02**
- (52) **U.S. Cl.** ..... **D14/315**
- (58) **Field of Classification Search** ..... D14/315-328, D14/341-345, 441, 444, 445; D18/1, 2, D18/7, 11; 400/486, 489; 345/102, 104, 345/156, 163, 168; 341/22, 23; 361/679.08, 361/679.09, 679.26, 679.27  
See application file for complete search history.

(56) **References Cited**

**U.S. PATENT DOCUMENTS**

D346,368 S *	4/1994	Miyashita et al.	.....	D14/327
D456,398 S *	4/2002	Horiki	.....	D14/328
D558,754 S *	1/2008	Takemasa et al.	.....	D14/328
D566,111 S *	4/2008	Nakagawa	.....	D14/315
D572,709 S *	7/2008	Nakagawa et al.	.....	D14/315

\* cited by examiner

*Primary Examiner* — Freda S Nunn

(57) **CLAIM**

The ornamental design for a lid of notebook computer, as shown and described.

FIG. 1 is a perspective view showing a first embodiment of my new design, in which the horizontal bars on the top of the lid are evenly spaced;

FIG. 2 is a front elevational view of the first embodiment of my new design;

FIG. 3 is a rear elevational view of the first embodiment of my new design;

FIG. 4 is a left side elevational view of the first embodiment of my new design;

FIG. 5 is a right side elevational view of the first embodiment of my new design;

FIG. 6 is a top plan view of the first embodiment of my new design;

FIG. 7 is a bottom plan view of the first embodiment of my new design;

FIG. 8 is a perspective view showing a second embodiment of my new design, in which the horizontal bars on the top of the lid are narrowly spaced;

FIG. 9 is a front elevational view of the second embodiment of my new design;

FIG. 10 is a rear elevational view of the second embodiment of my new design;

FIG. 11 is a left side elevational view of the second embodiment of my new design;

FIG. 12 is a right side elevational view of the second embodiment of my new design;

FIG. 13 is a top plan view of the second embodiment of my new design;

FIG. 14 is a bottom plan view of the second embodiment of my new design;

FIG. 15 is a perspective view showing a third embodiment of my new design, in which the horizontal bars on the top of the lid are widely spaced;

FIG. 16 is a front elevational view of the third embodiment of my new design;

FIG. 17 is a rear elevational view of the third embodiment of my new design;

FIG. 18 is a left side elevational view of the third embodiment of my new design;

FIG. 19 is a right side elevational view of the third embodiment of my new design; FIG. 20 is a top plan view of the third embodiment of my new design;

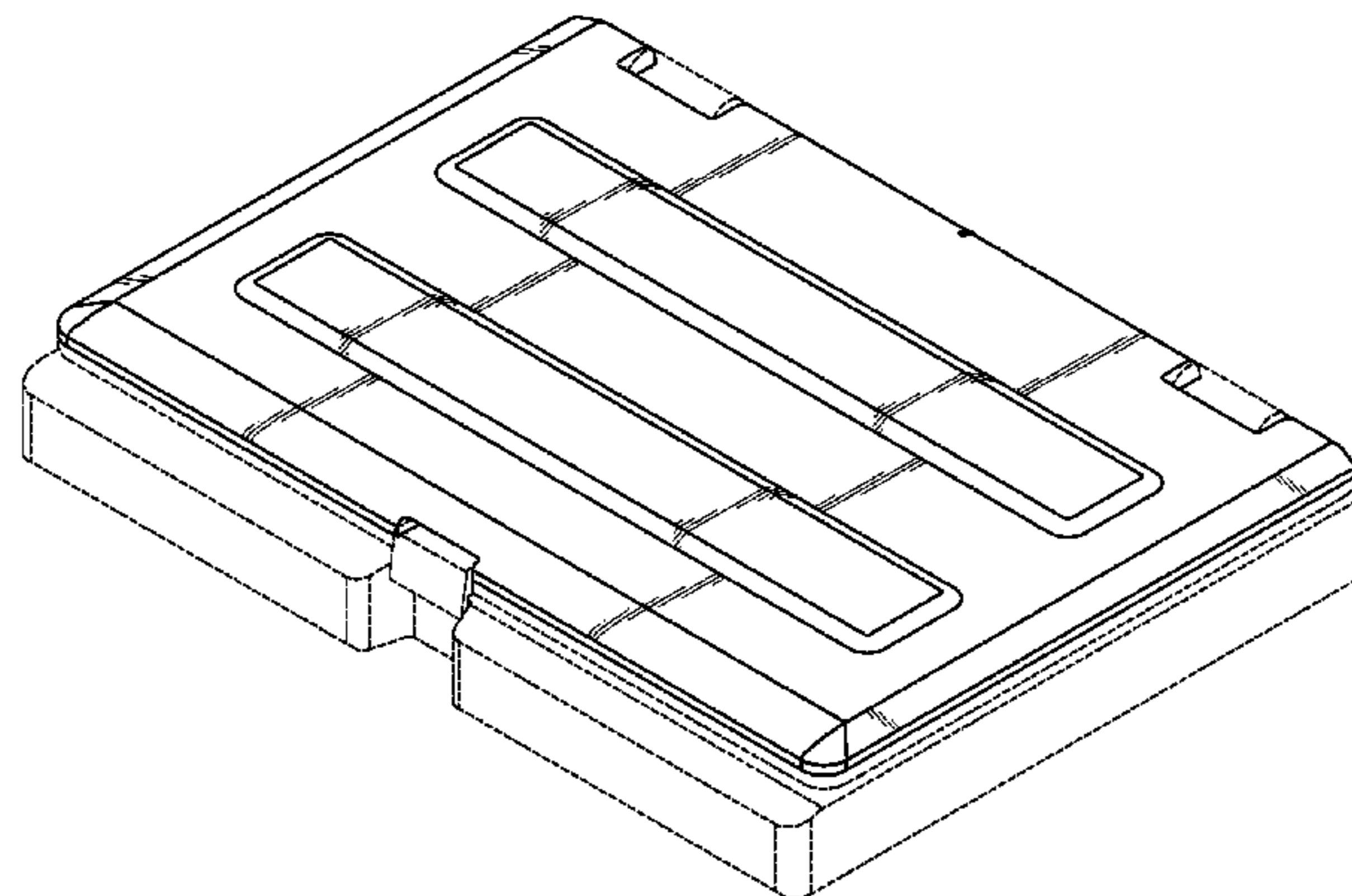


FIG. **21** is a bottom plan view of the third embodiment of my new design;

FIG. **22** is a perspective view showing a fourth embodiment of my new design, in which the horizontal bars on the top of the lid are evenly spaced and narrowed;

FIG. **23** is a front elevational view of the fourth embodiment of my new design;

FIG. **24** is a rear elevational view of the fourth embodiment of my new design;

FIG. **25** is a left side elevational view of the fourth embodiment of my new design;

FIG. **26** is a right side elevational view of the fourth embodiment of my new design;

FIG. **27** is a top plan view of the fourth embodiment of my new design;

FIG. **28** is a bottom plan view of the fourth embodiment of my new design;

FIG. **29** is a perspective view showing a fifth embodiment of my new design, in which the horizontal bars on the top of the lid are evenly spaced and broadened;

FIG. **30** is a front elevational view of the fifth embodiment of my new design;

FIG. **31** is a rear elevational view of the fifth embodiment of my new design;

FIG. **32** is a left side elevational view of the fifth embodiment of my new design;

FIG. **33** is a right side elevational view of the fifth embodiment of my new design;

FIG. **34** is a top plan view of the fifth embodiment of my new design; and,

FIG. **35** is a bottom plan view of the fifth embodiment of my new design.

The broken lines which illustrate the environmental structure of the claimed design form no part thereof.

**1 Claim, 25 Drawing Sheets**

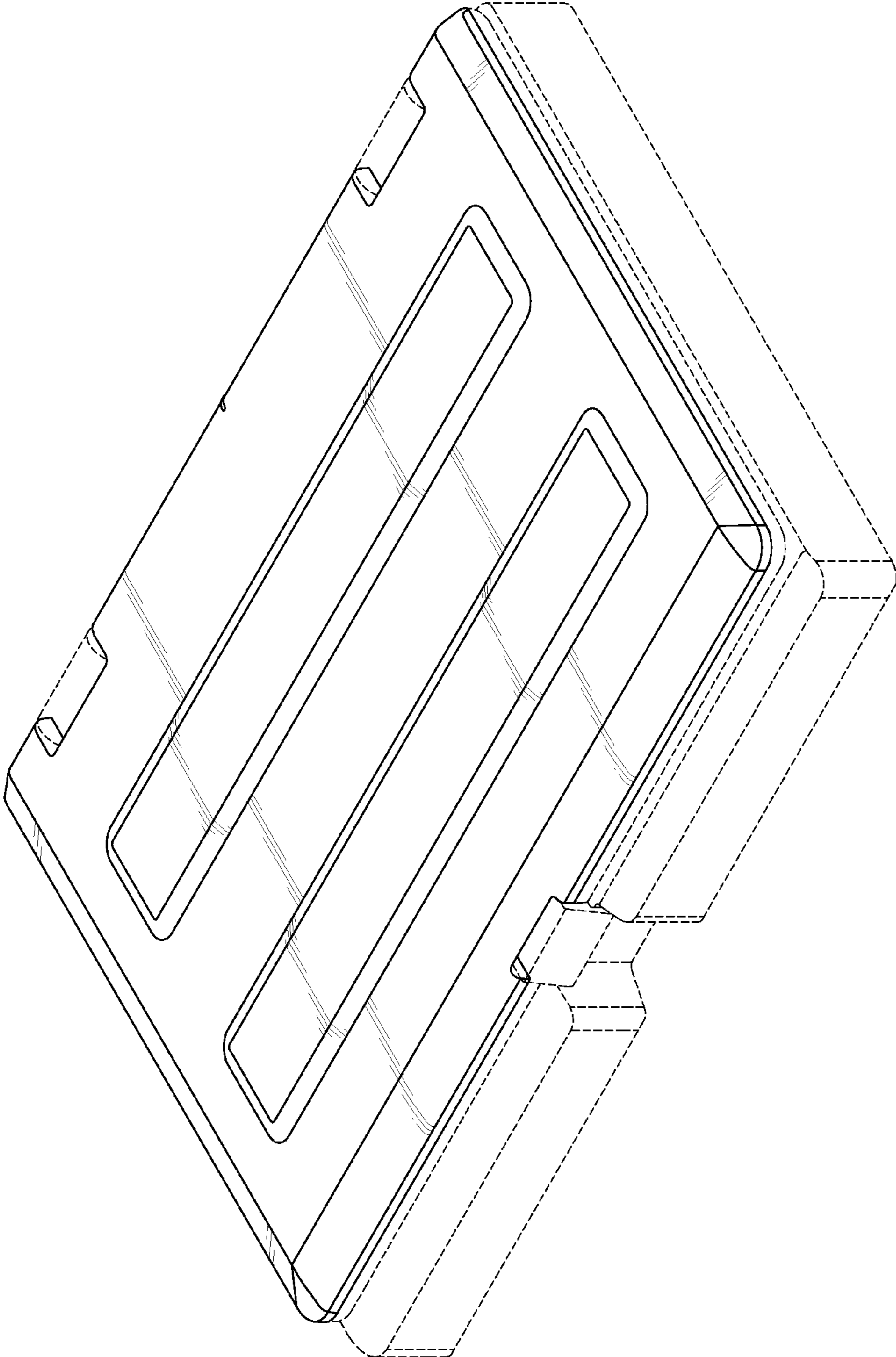


FIG.1

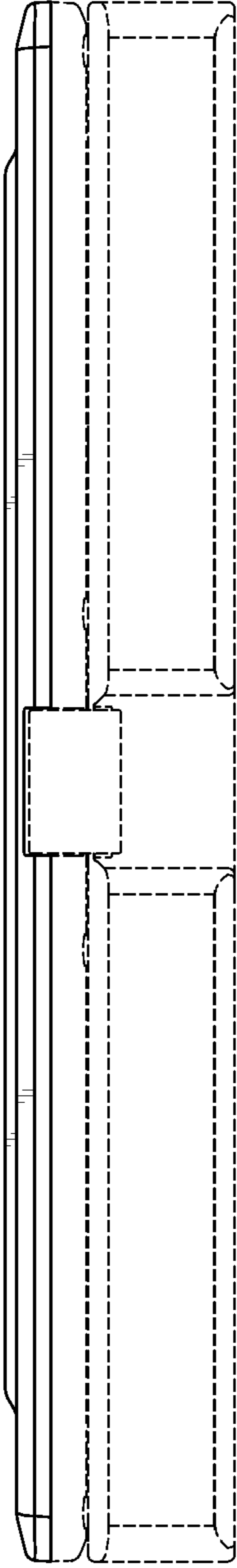


FIG. 2

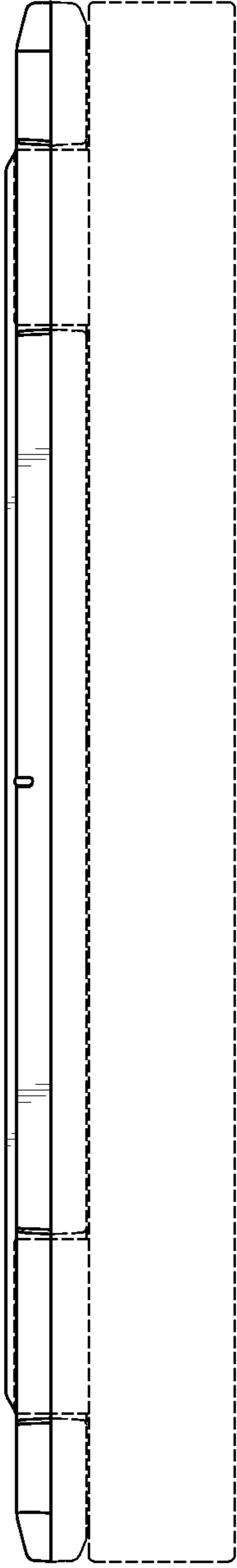


FIG. 3

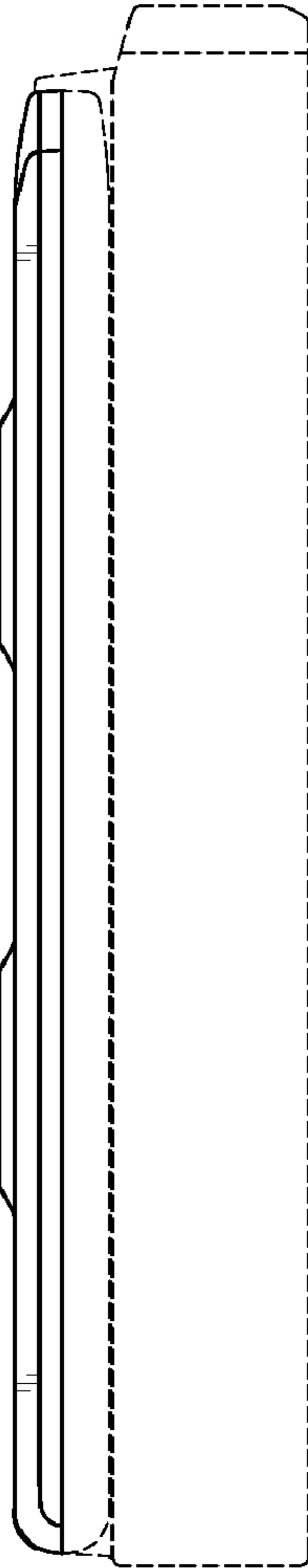


FIG.4

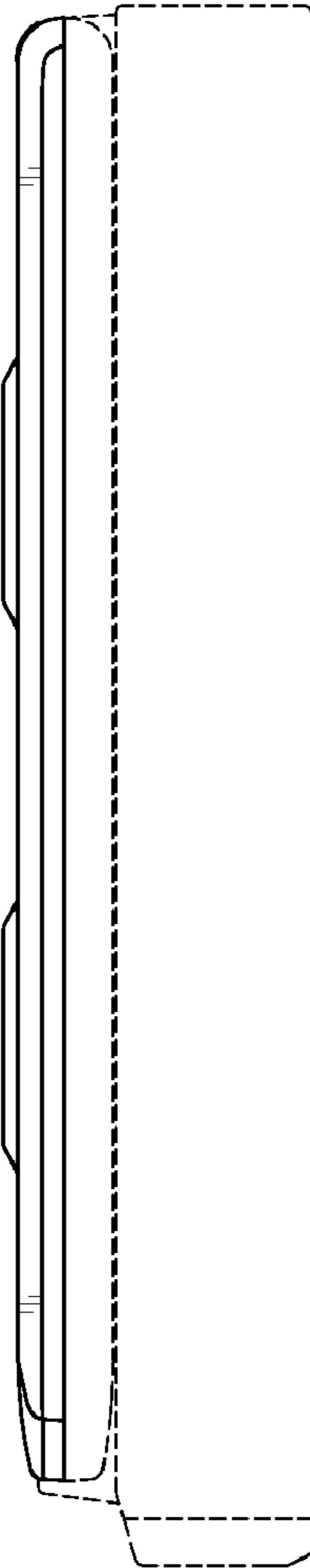


FIG.5

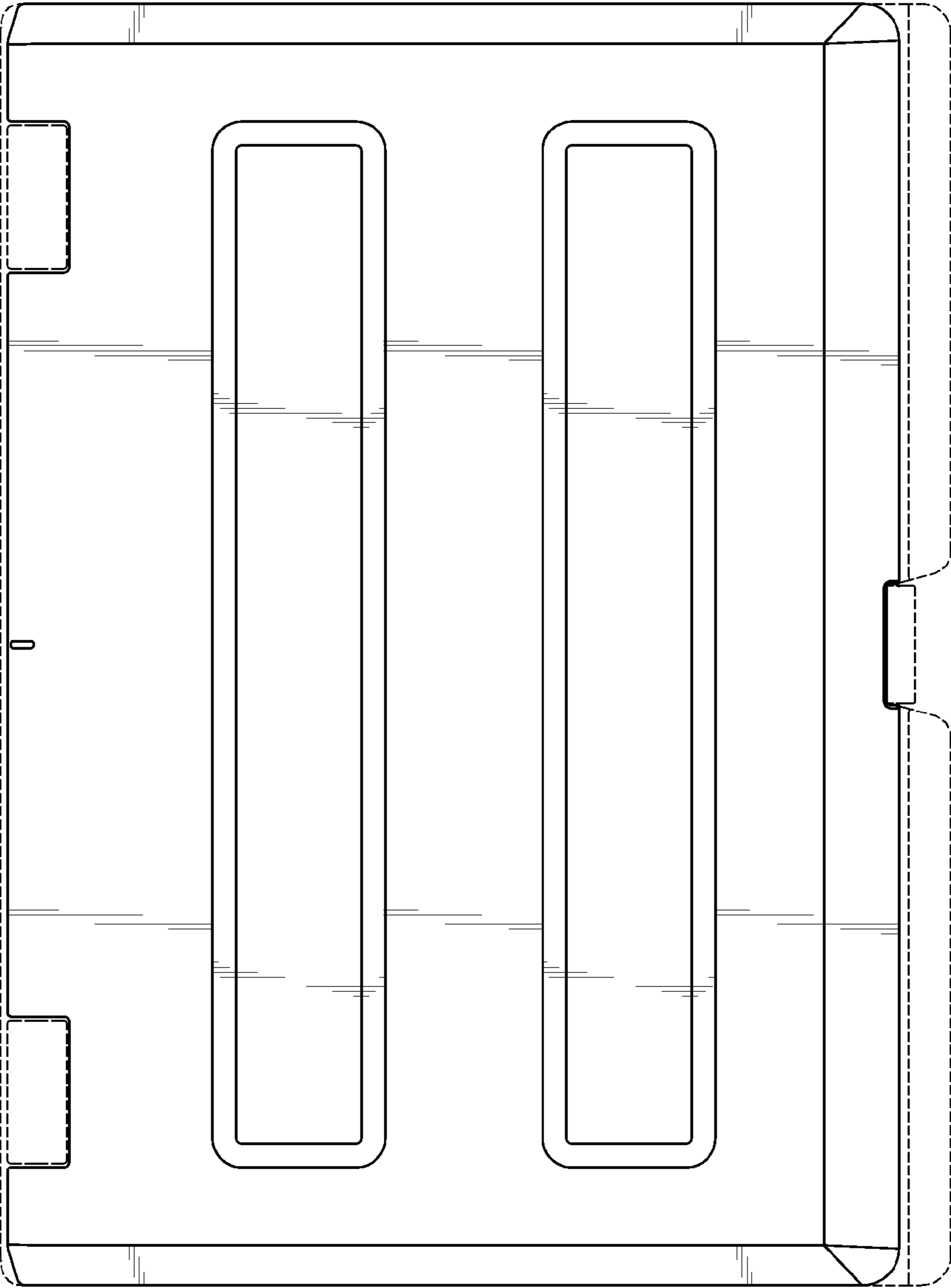


FIG.6

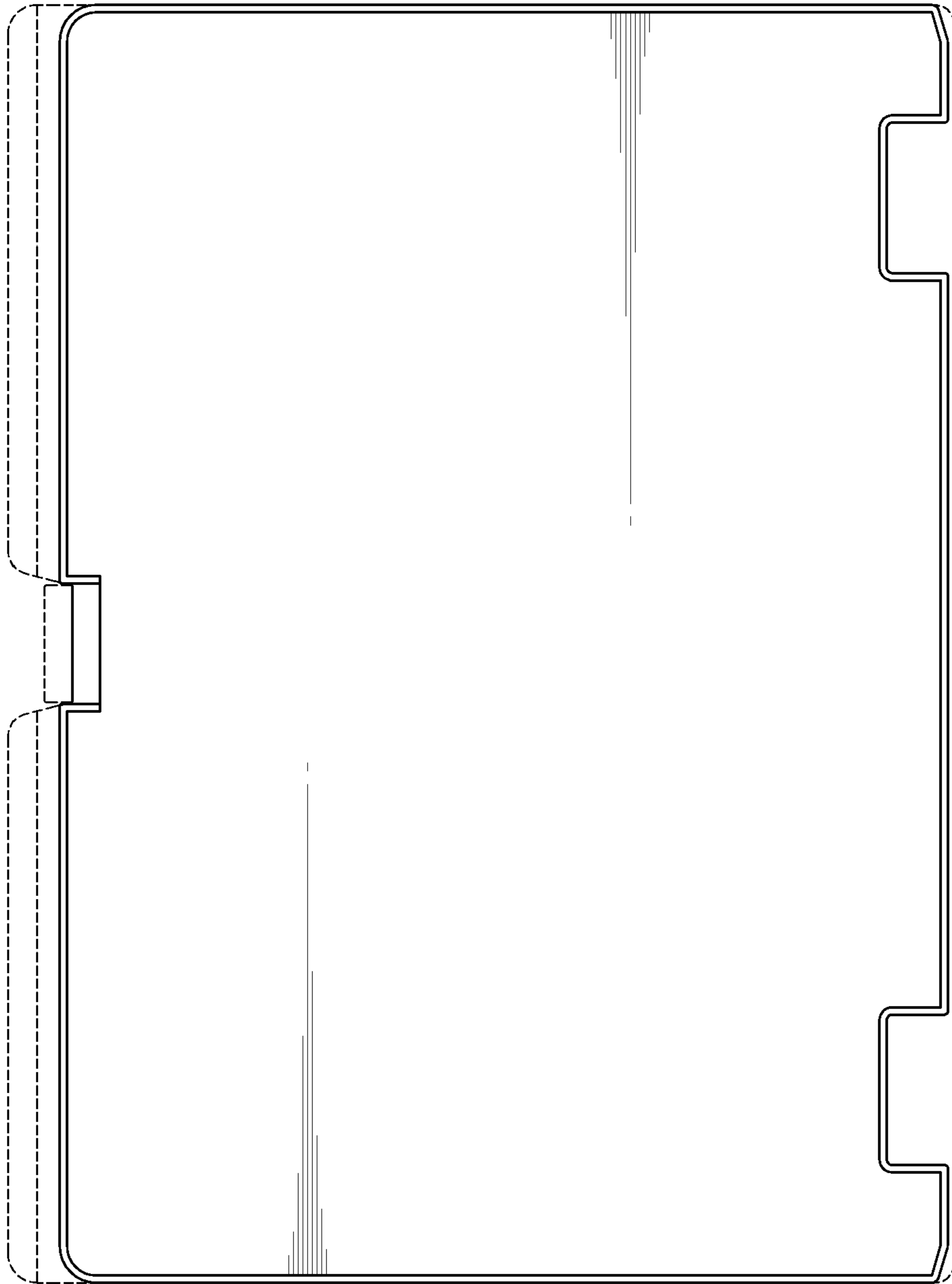


FIG.7

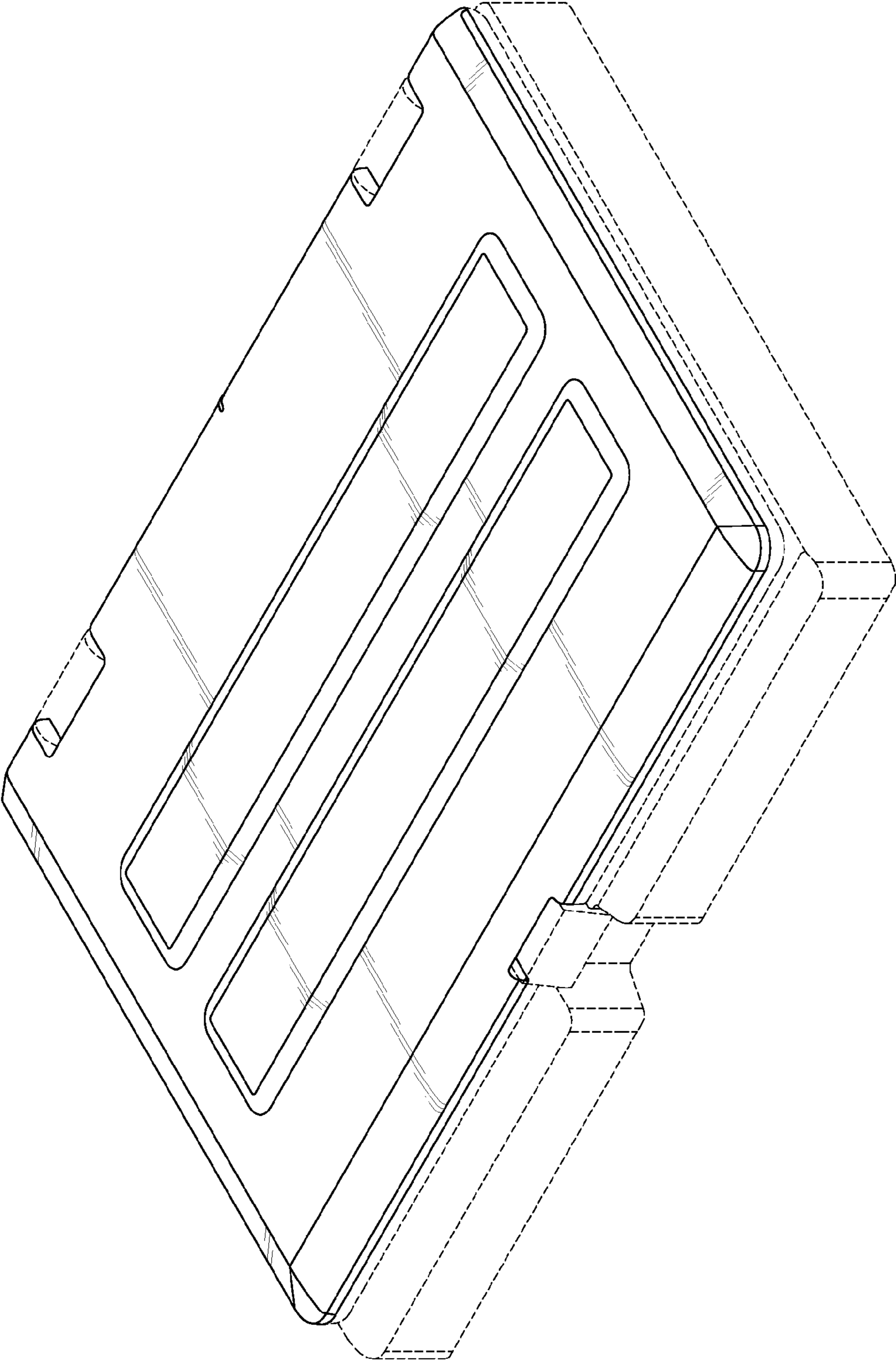


FIG.8



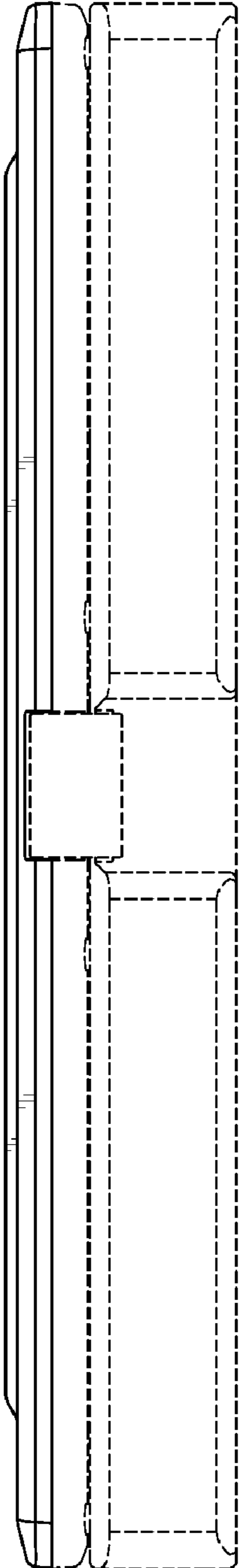


FIG. 9

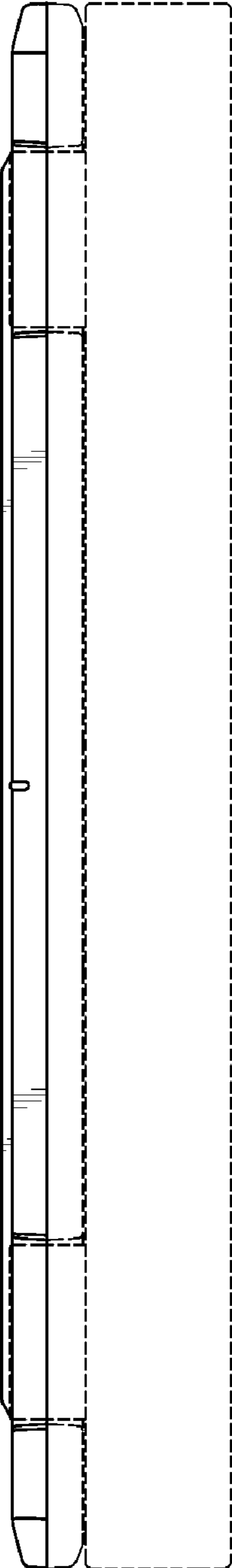


FIG. 10

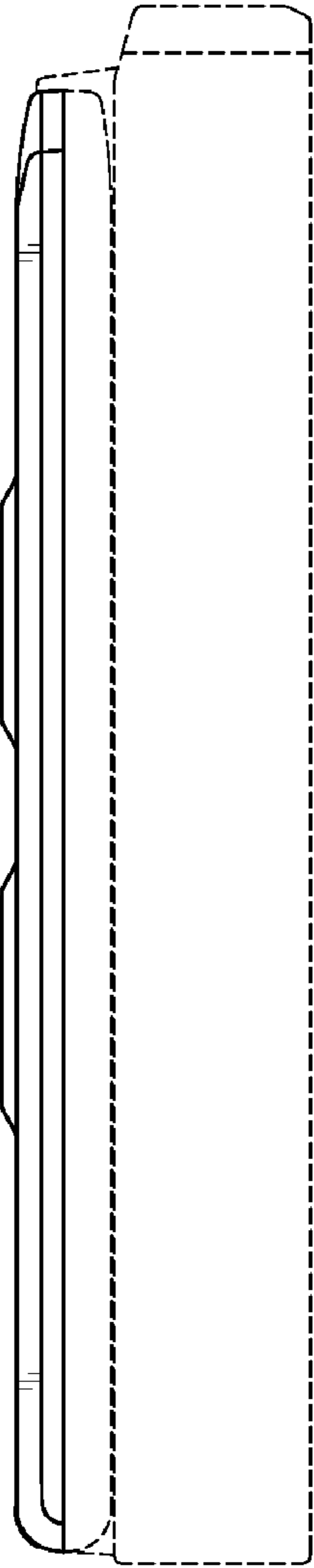


FIG. 11

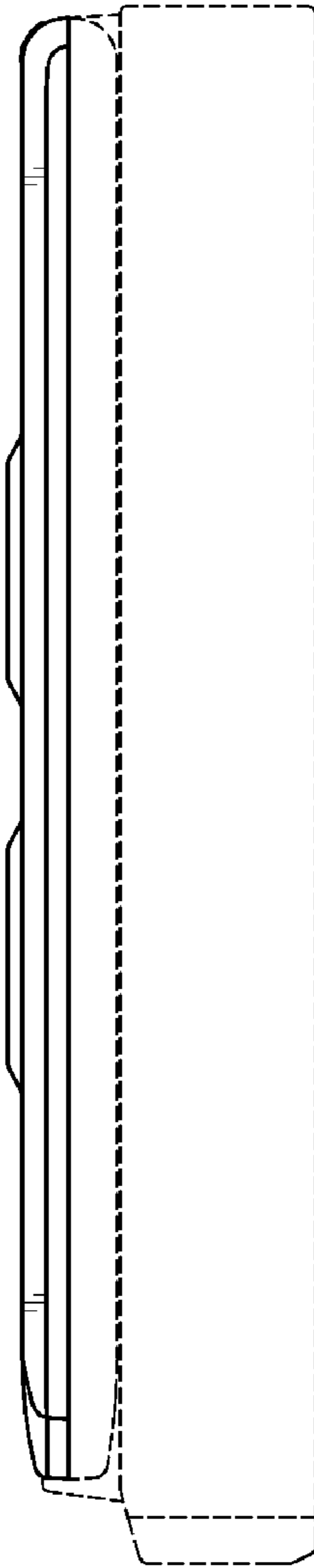


FIG. 12

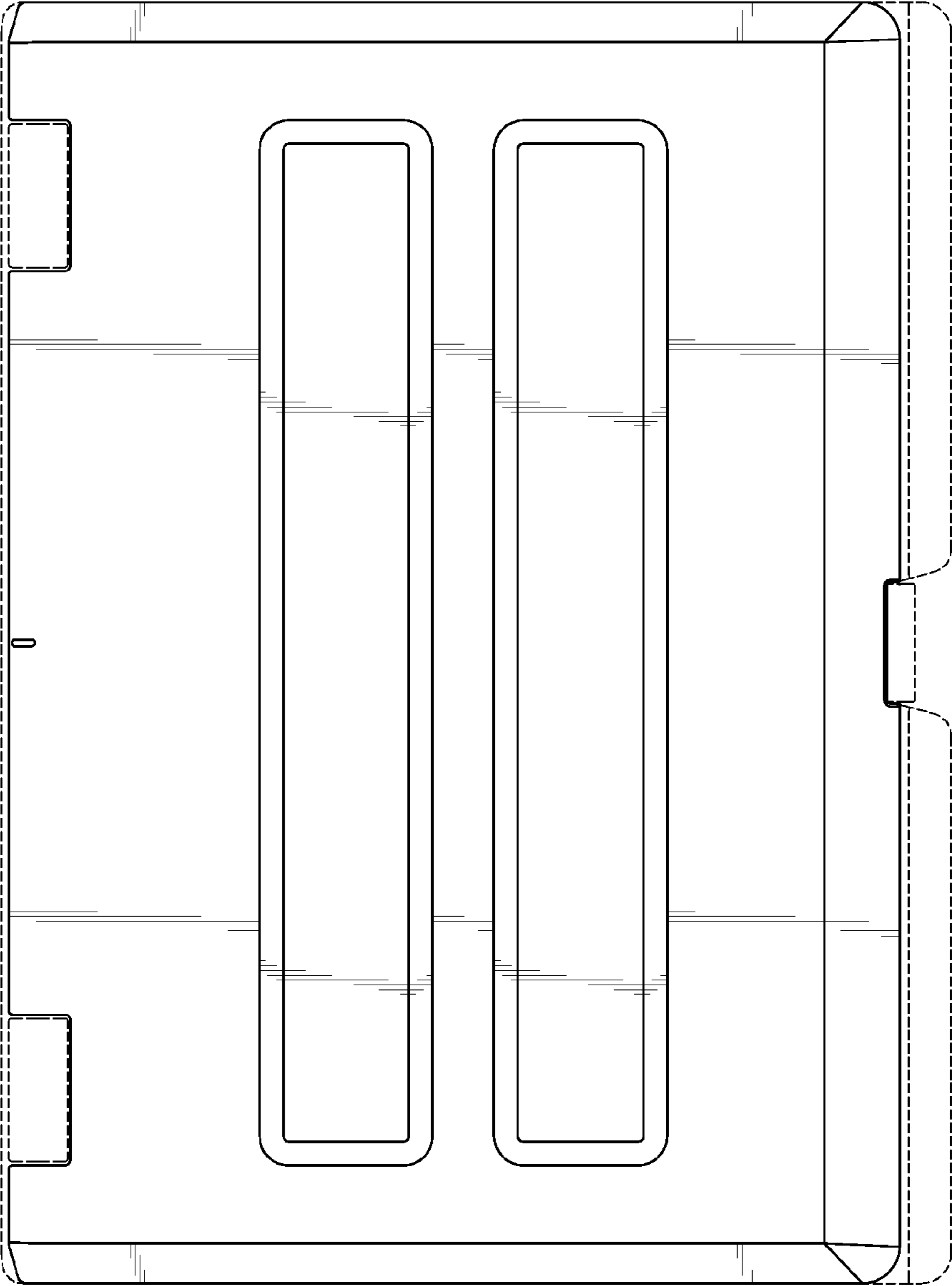


FIG.13

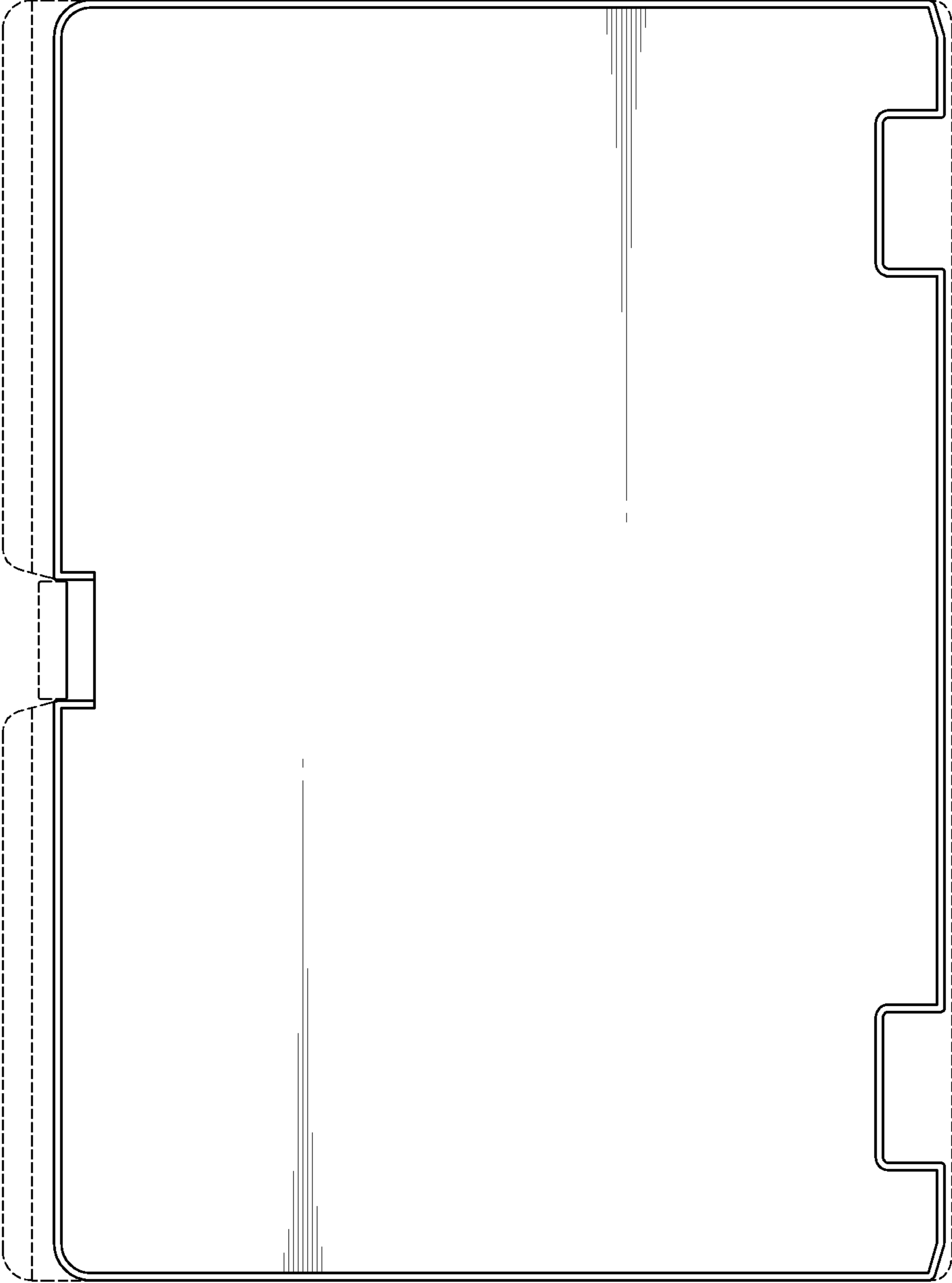


FIG.14

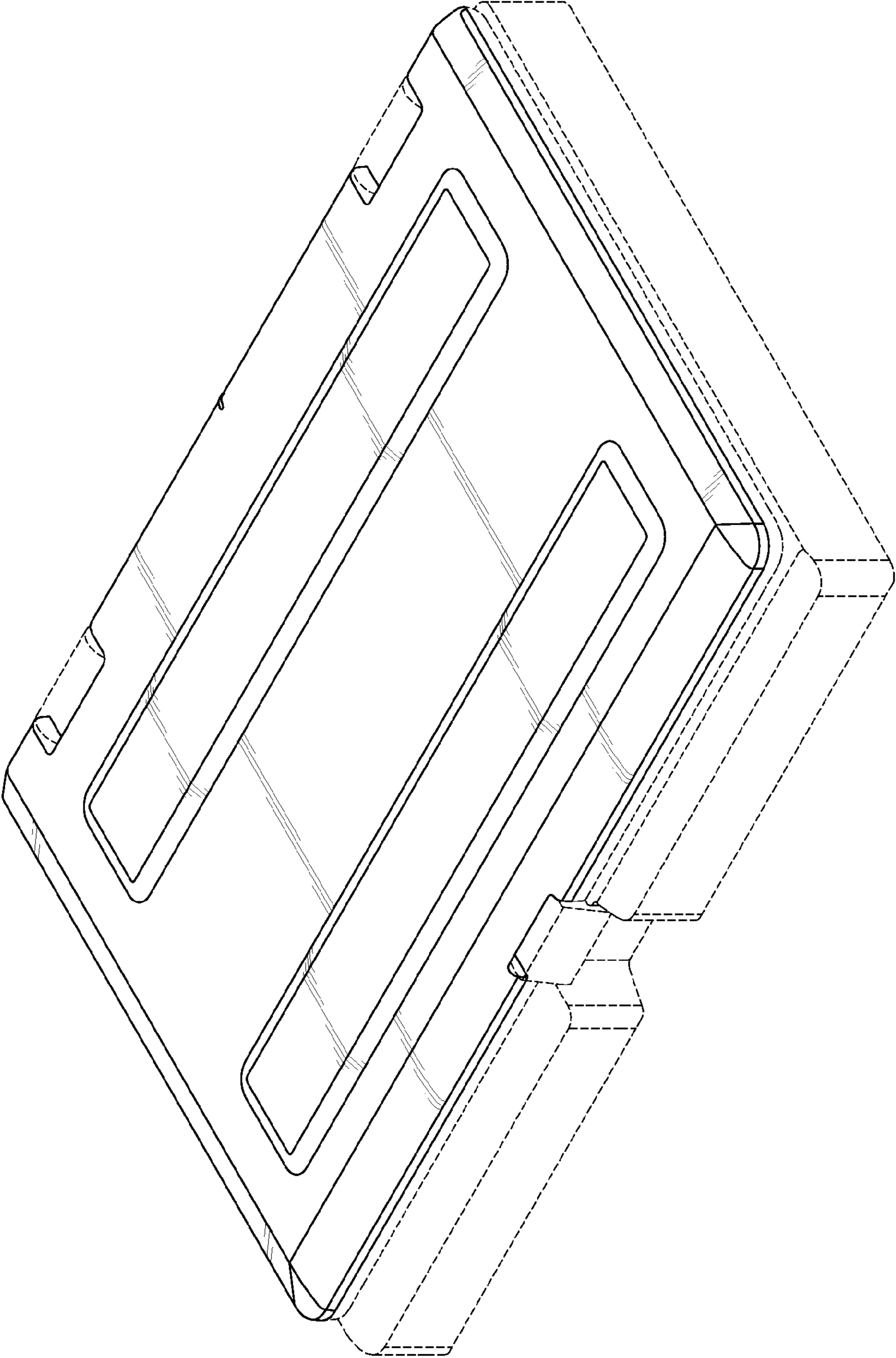


FIG.15

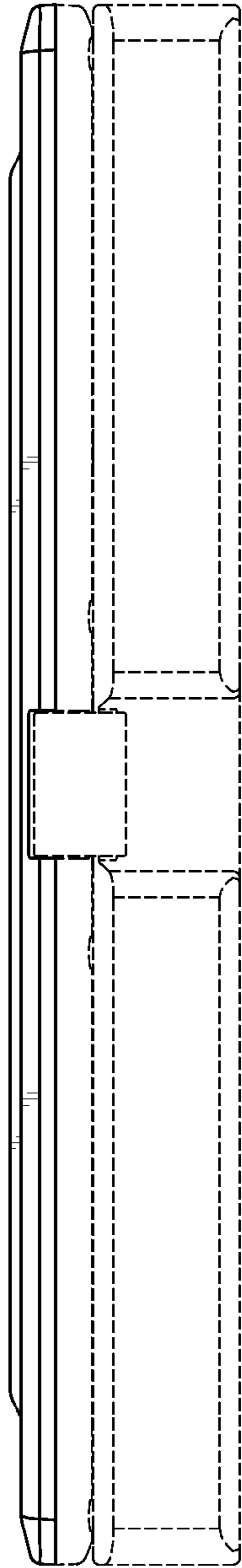


FIG.16

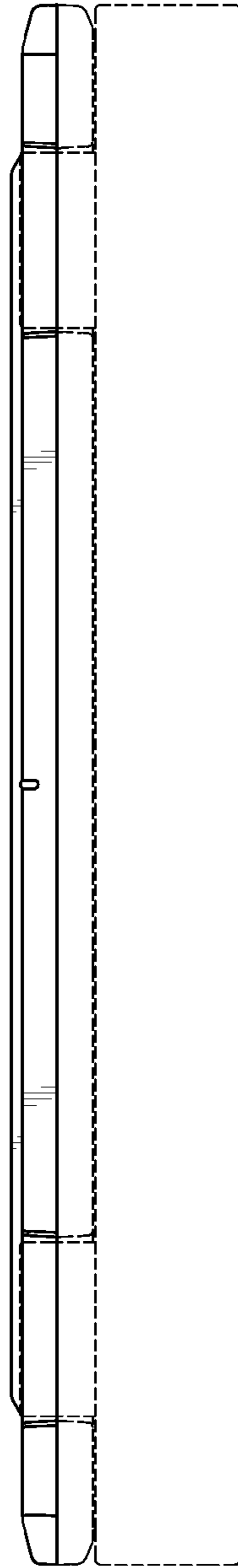


FIG.17

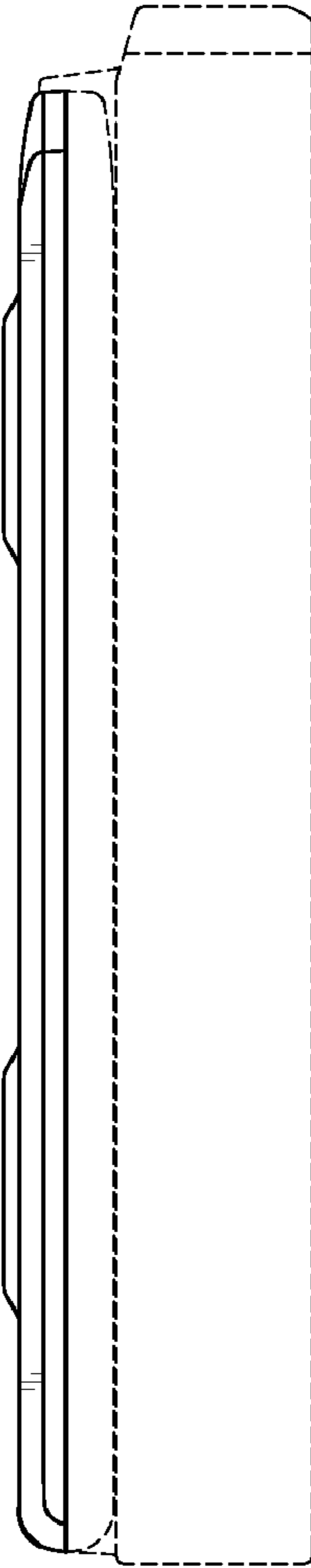


FIG. 18

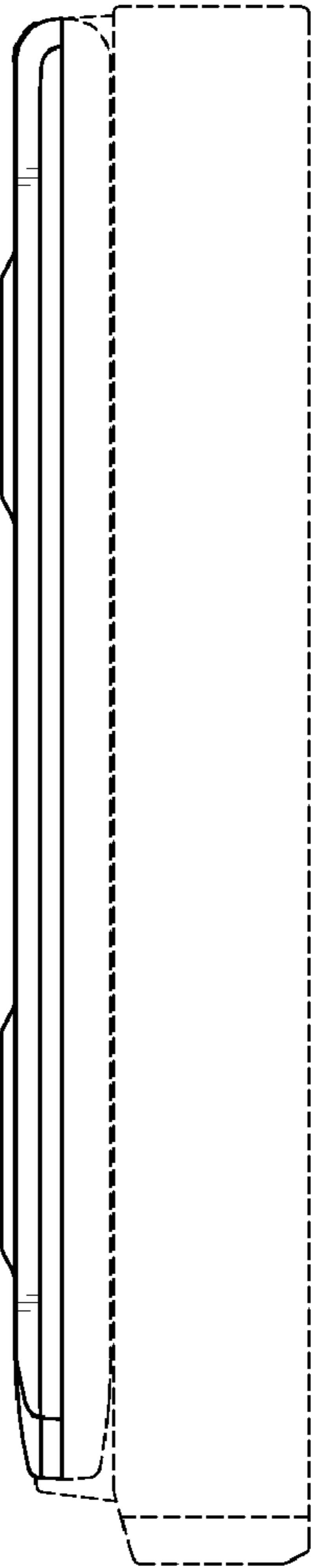


FIG. 19

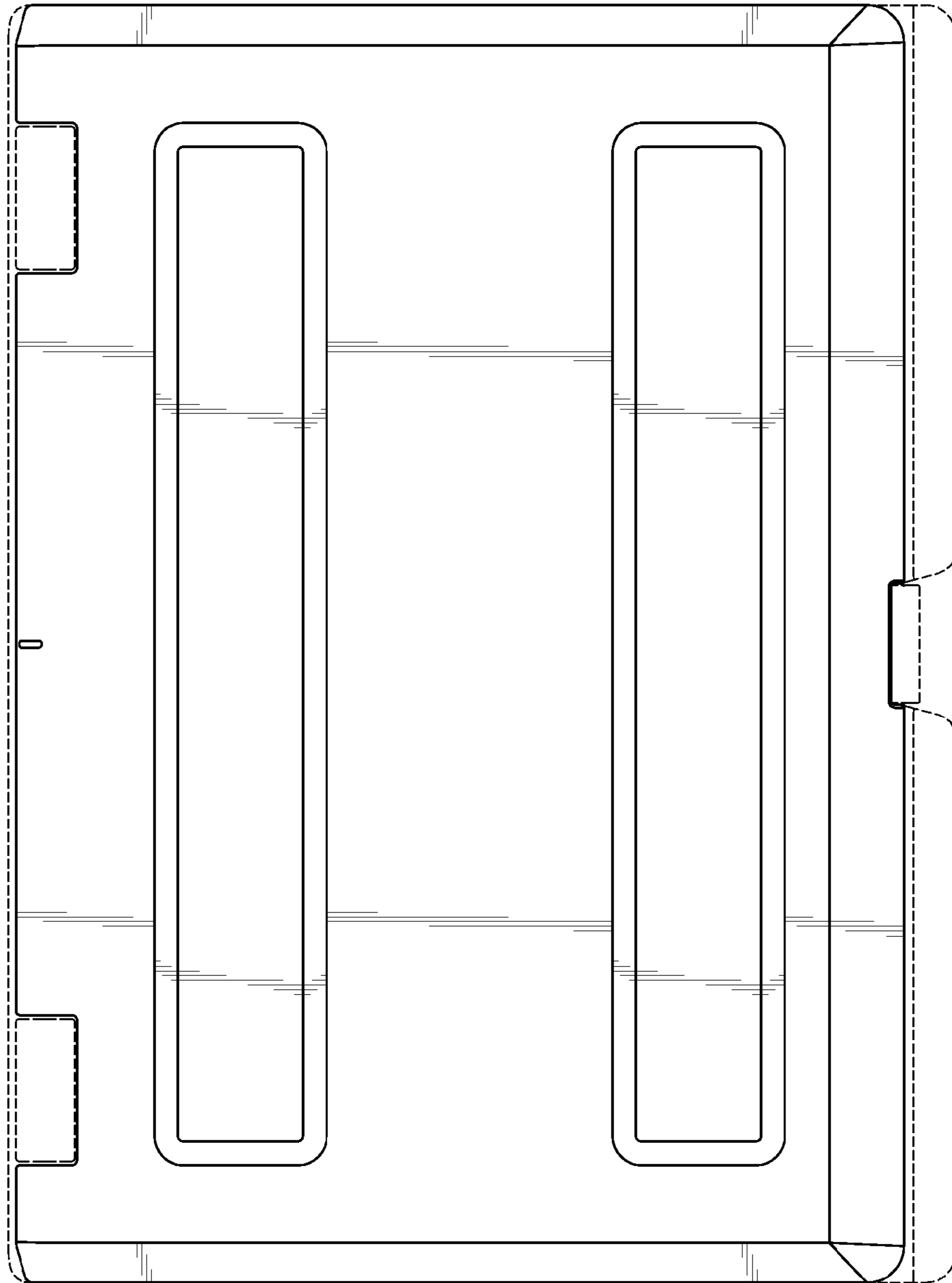


FIG.20



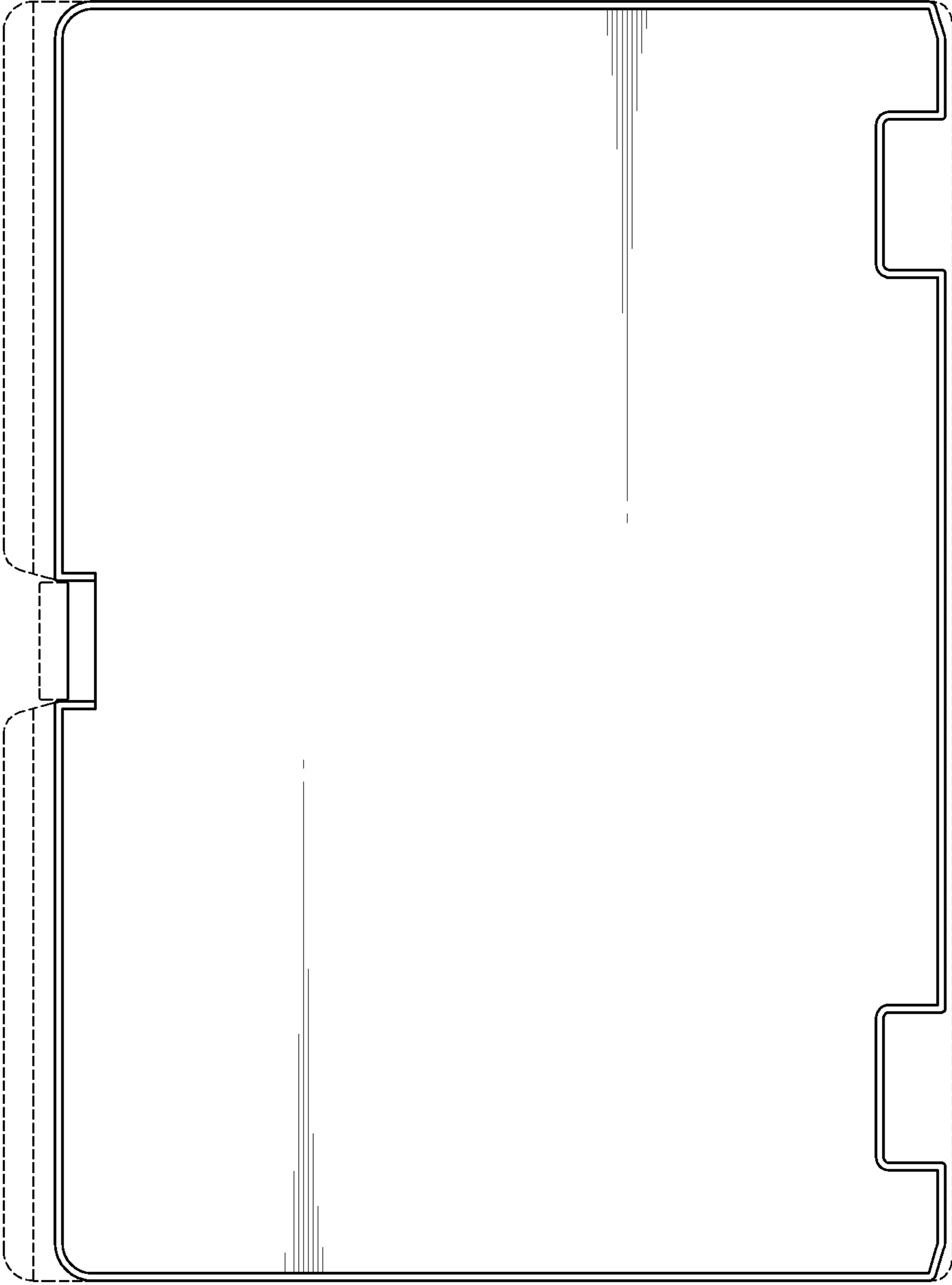


FIG.21

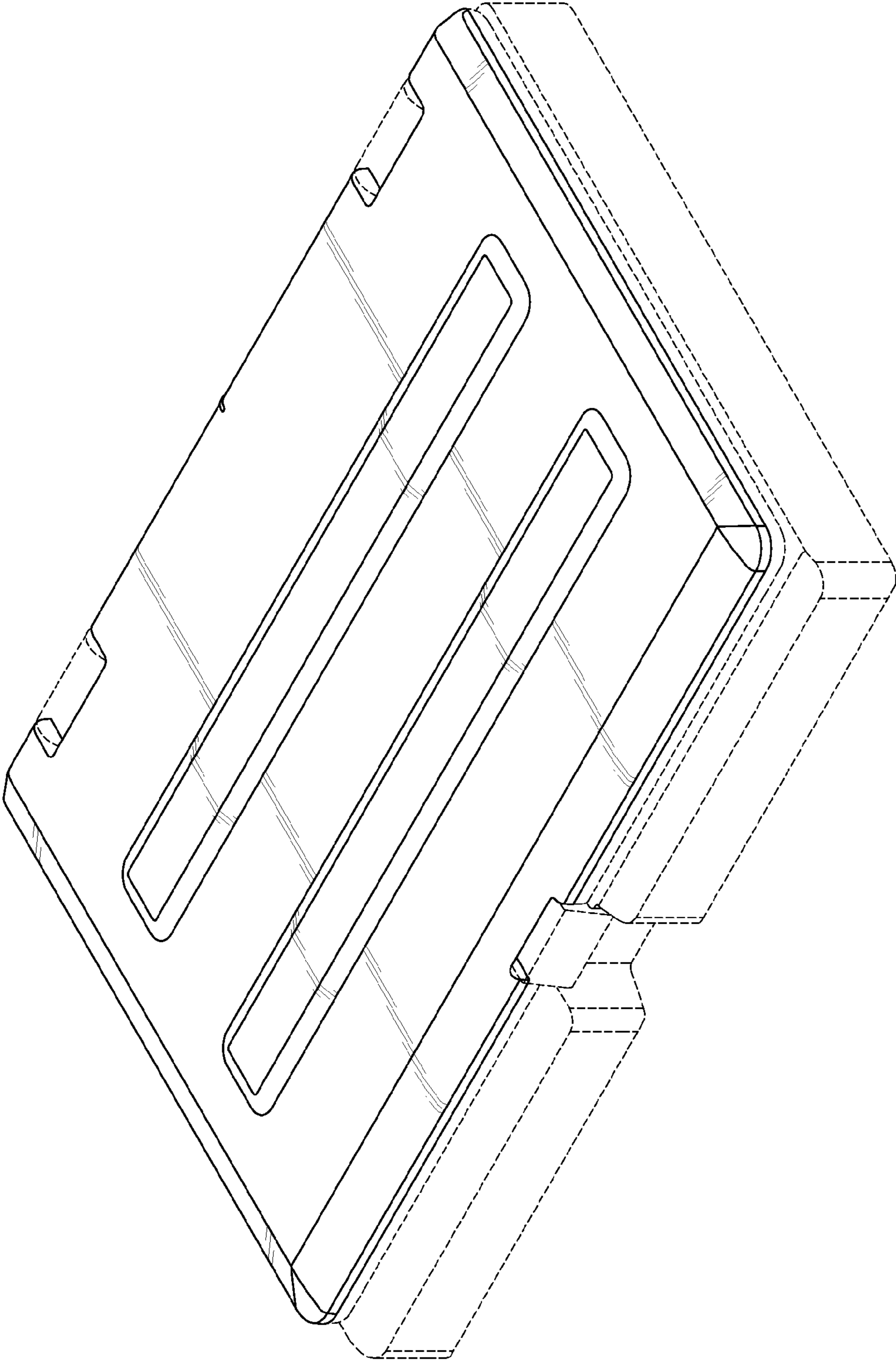


FIG.22

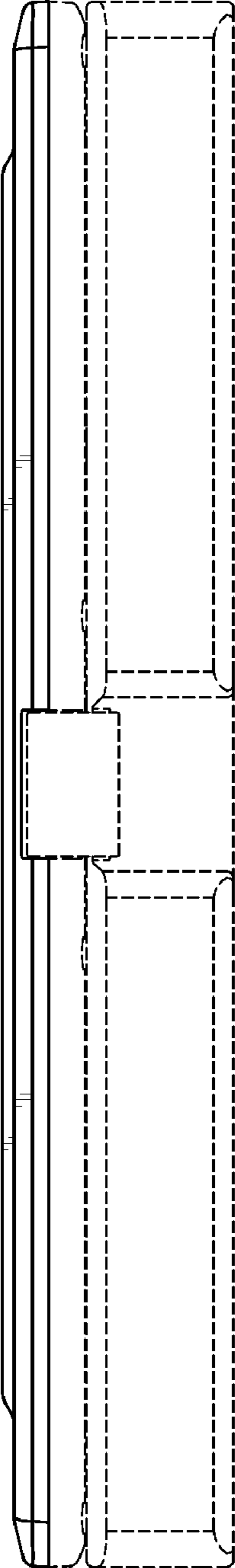


FIG. 23

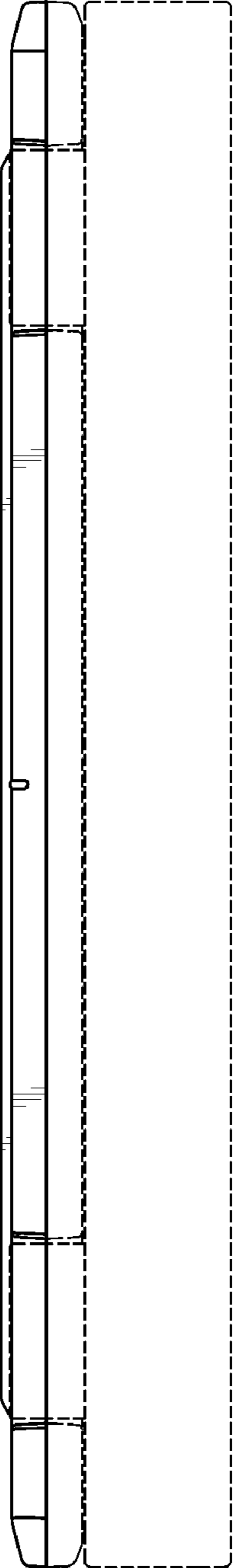


FIG. 24

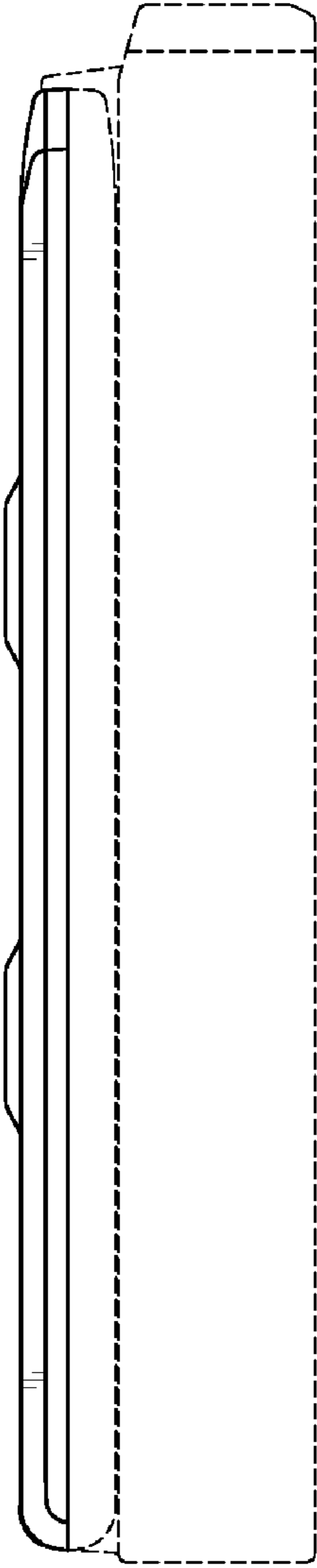


FIG. 25

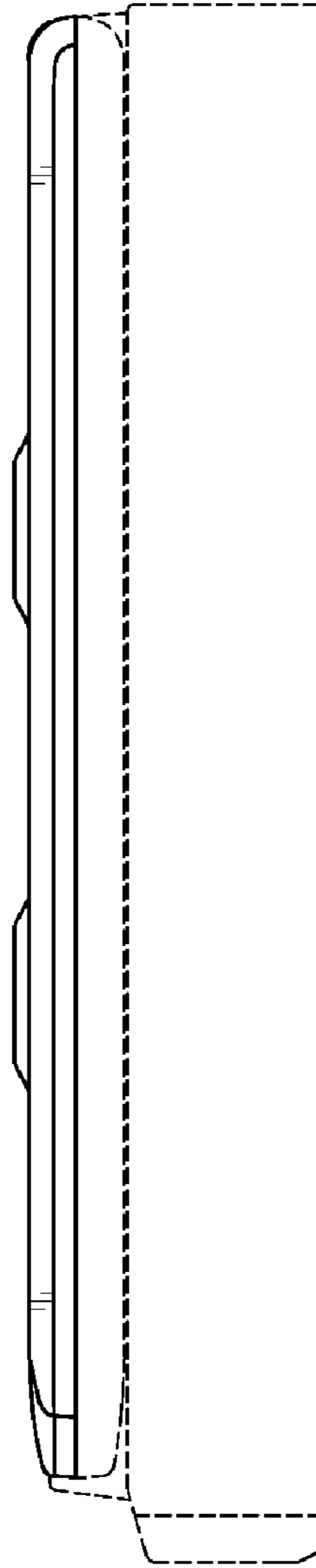


FIG. 26

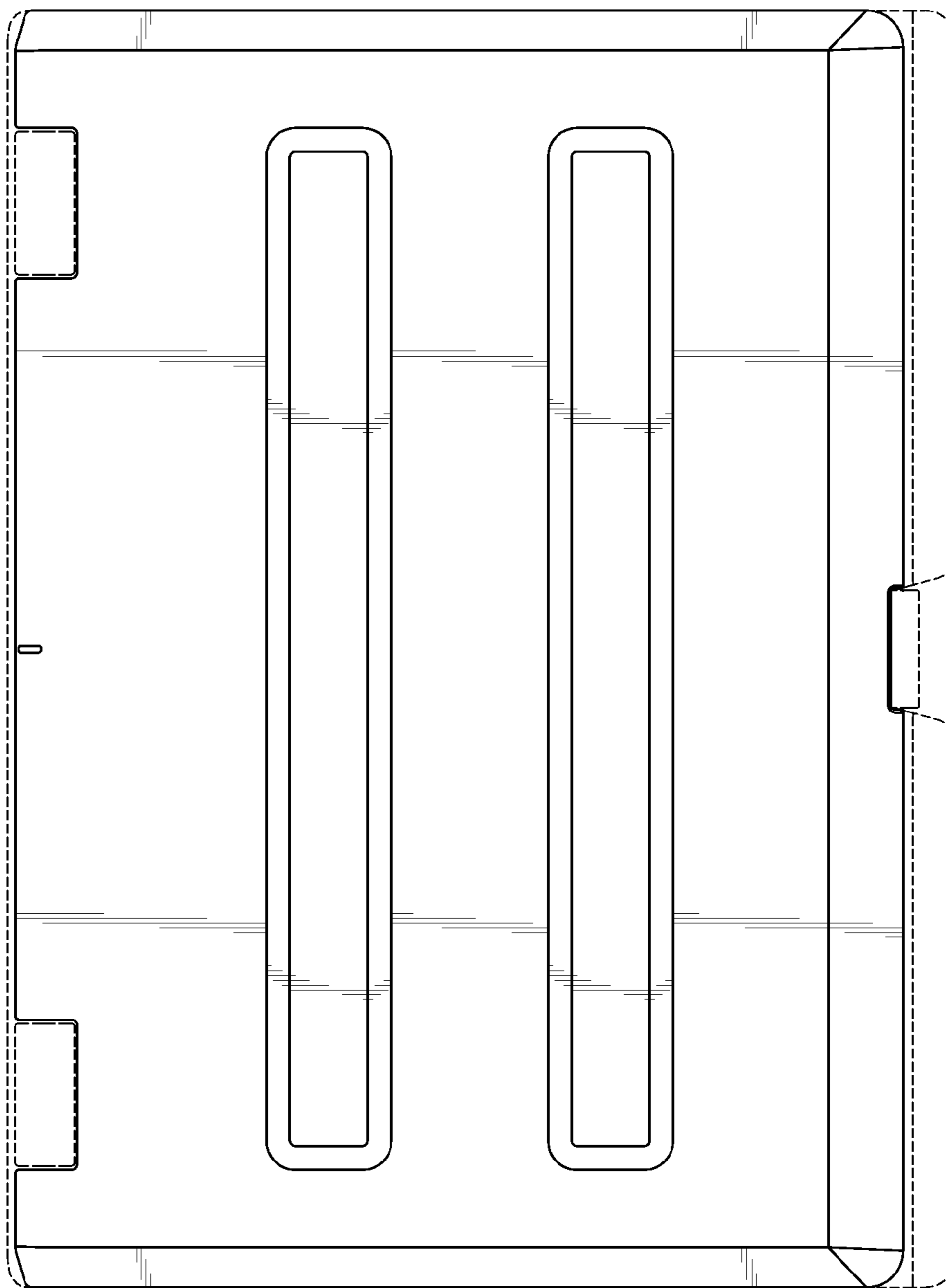


FIG.27

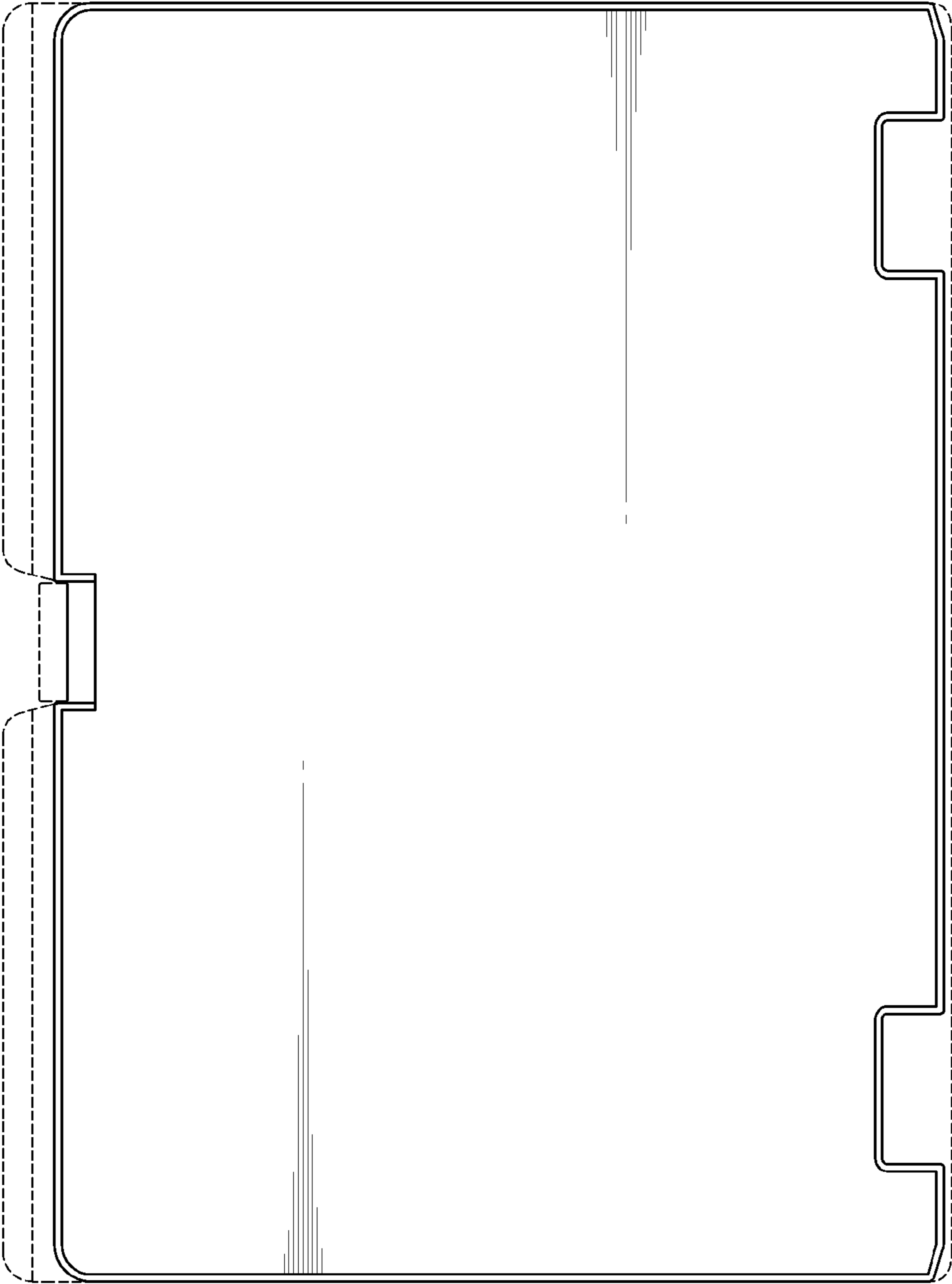


FIG. 28

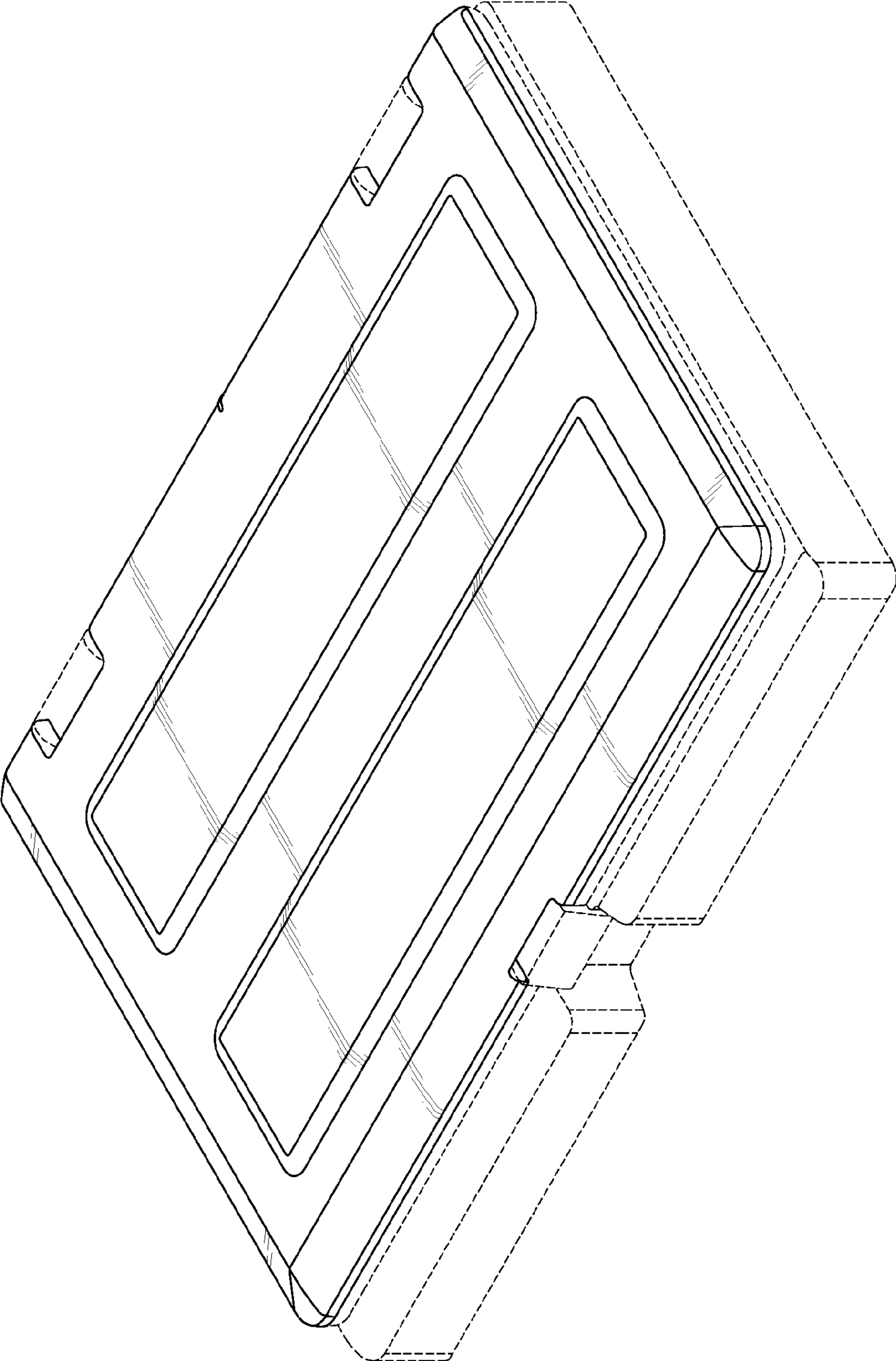


FIG.29

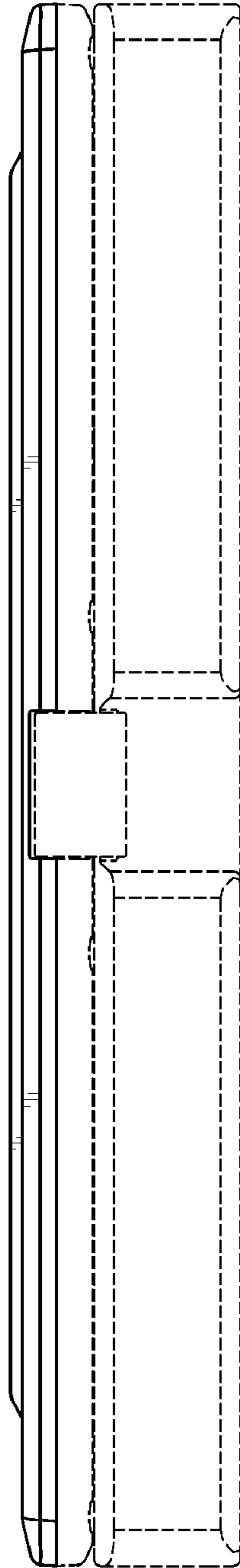


FIG. 30

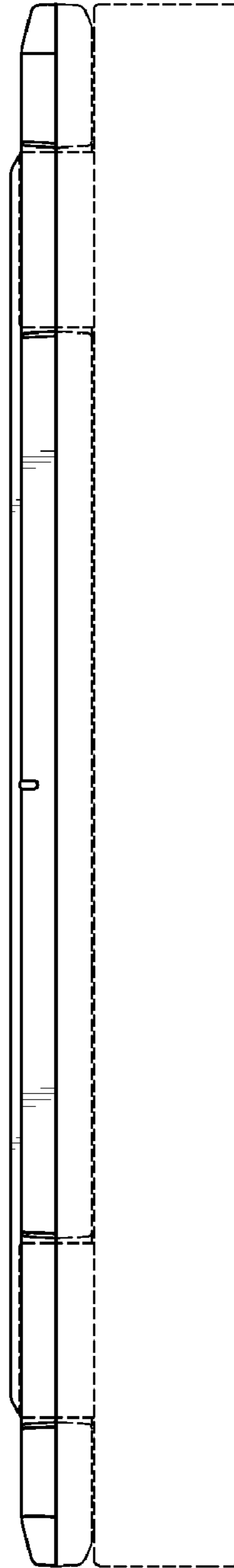


FIG. 31



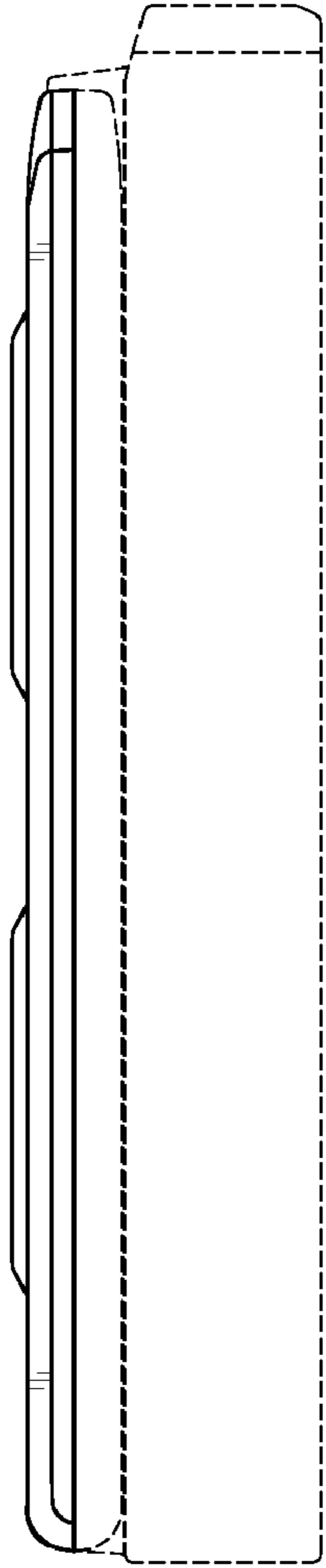


FIG. 32

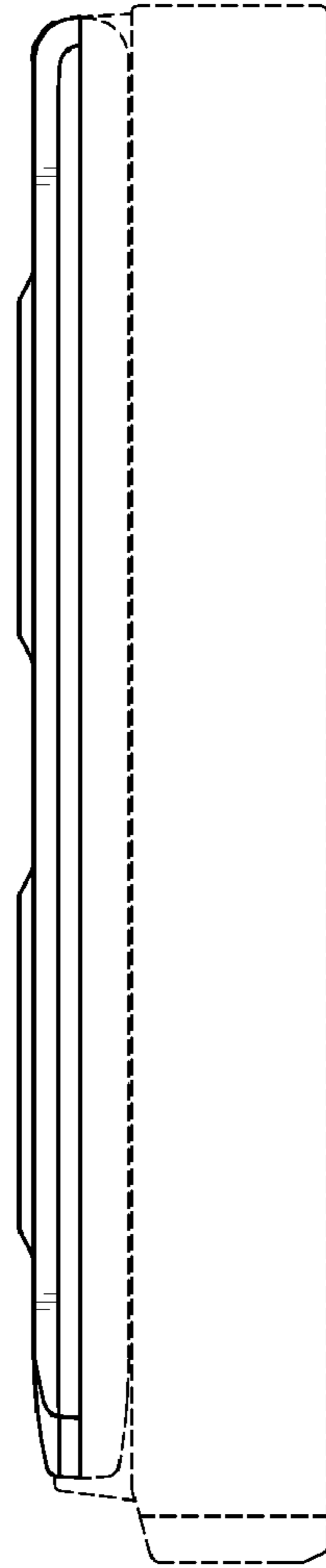


FIG. 33

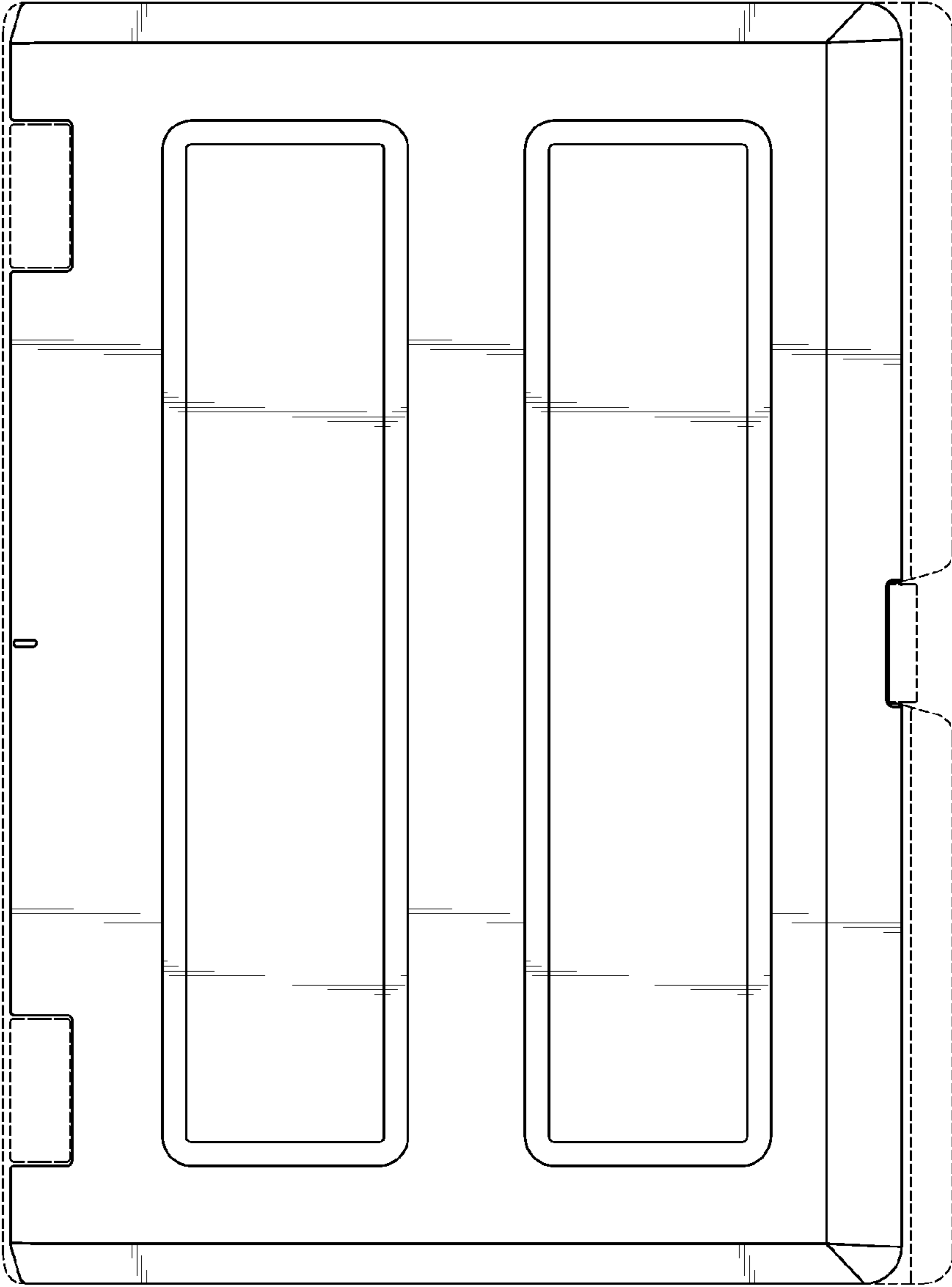


FIG.34

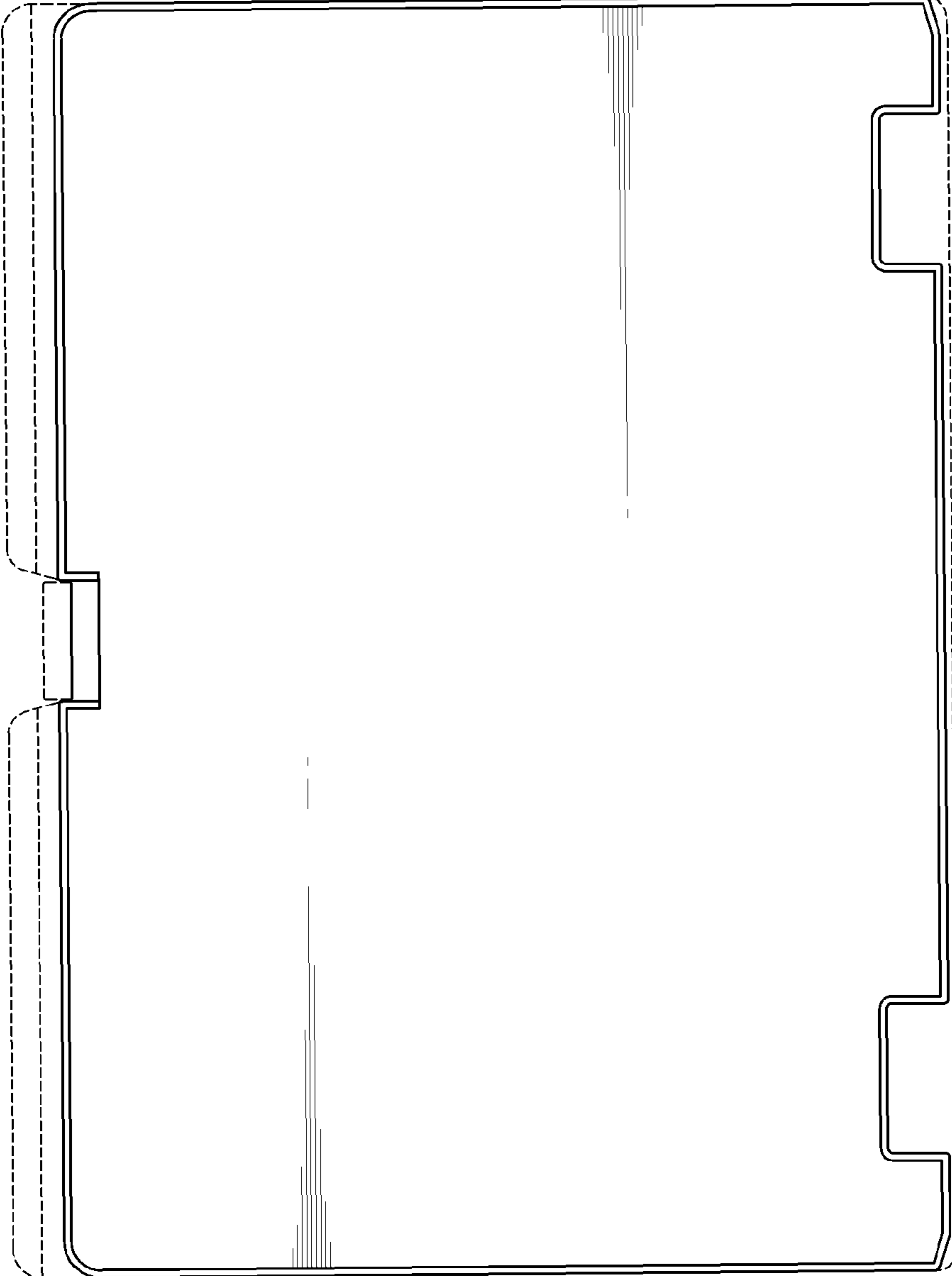


FIG.35