

US00D635563S

(12) **United States Design Patent**  
**Brusca et al.**

(10) **Patent No.:** **US D635,563 S**  
(45) **Date of Patent:** **\*\* Apr. 5, 2011**

- (54) **OPTICAL NETWORK TERMINAL**
- (75) Inventors: **Michael Stuart Brusca**, Whitestone, NY (US); **Walter Slagle**, Fishkill, NY (US); **Douglas Collins**, Exton, PA (US); **Cara Oleksa**, Hollis Hills, NY (US); **Angel Cordero**, Chatham, NJ (US); **Marie Lee Marchesseault**, North Reading, MA (US); **Gadi Amit**, San Francisco, CA (US); **Michael Massucco**, San Francisco, CA (US); **Barbara Brattain**, San Francisco, CA (US)
- (73) Assignee: **Verizon Patent and Licensing Inc.**, Basking Ridge, NJ (US)

D329,641	S	*	9/1992	Goff	.....	D14/313
D371,347	S	*	7/1996	Utsuki et al.	.....	D14/310
D396,031	S	*	7/1998	Chiodo et al.	.....	D14/308
D397,673	S	*	9/1998	Heberling et al.	.....	D14/308
5,867,369	A	*	2/1999	Antonuccio et al.	.....	361/796
D417,200	S	*	11/1999	Sasago	.....	D14/309
D419,139	S	*	1/2000	Kohara	.....	D14/308
D430,564	S	*	9/2000	Tsistinas	.....	D14/308
D434,030	S	*	11/2000	Colprit et al.	.....	D14/308
D435,559	S	*	12/2000	Tanaka	.....	D14/444
6,278,606	B1	*	8/2001	Schmitt et al.	.....	361/679.35
D462,960	S	*	9/2002	Tanaka	.....	D14/356
6,549,398	B2	*	4/2003	Chen	.....	361/679.58
D481,385	S	*	10/2003	Tanaka	.....	D14/308
D481,388	S	*	10/2003	Tanaka	.....	D14/356
D535,298	S	*	1/2007	Cochrane	.....	D14/444
D566,704	S	*	4/2008	Cutting	.....	D14/313
D585,440	S	*	1/2009	Alfonso et al.	.....	D14/313

\* cited by examiner

(\*\*) Term: **14 Years**

(21) Appl. No.: **29/376,209**

(22) Filed: **Oct. 4, 2010**

*Primary Examiner* — Freda S Nunn

**Related U.S. Application Data**

- (62) Division of application No. 29/333,051, filed on Mar. 2, 2009, now Pat. No. Des. 626,955.
- (51) **LOC (9) Cl.** ..... **14-02**
- (52) **U.S. Cl.** ..... **D14/301**; D14/353; D14/308
- (58) **Field of Classification Search** ..... D14/300–313, D14/349–356, 361, 441–446; D13/162, D13/184, 199; 361/796, 679.35, 679.58; 360/99.01–99.12; 312/223.1–223.3; 369/34.01, 369/36.01

See application file for complete search history.

(56) **References Cited**

**U.S. PATENT DOCUMENTS**

- D278,712 S \* 5/1985 Adachi et al. .... D14/310
- D311,177 S \* 10/1990 Peters, III ..... D14/308

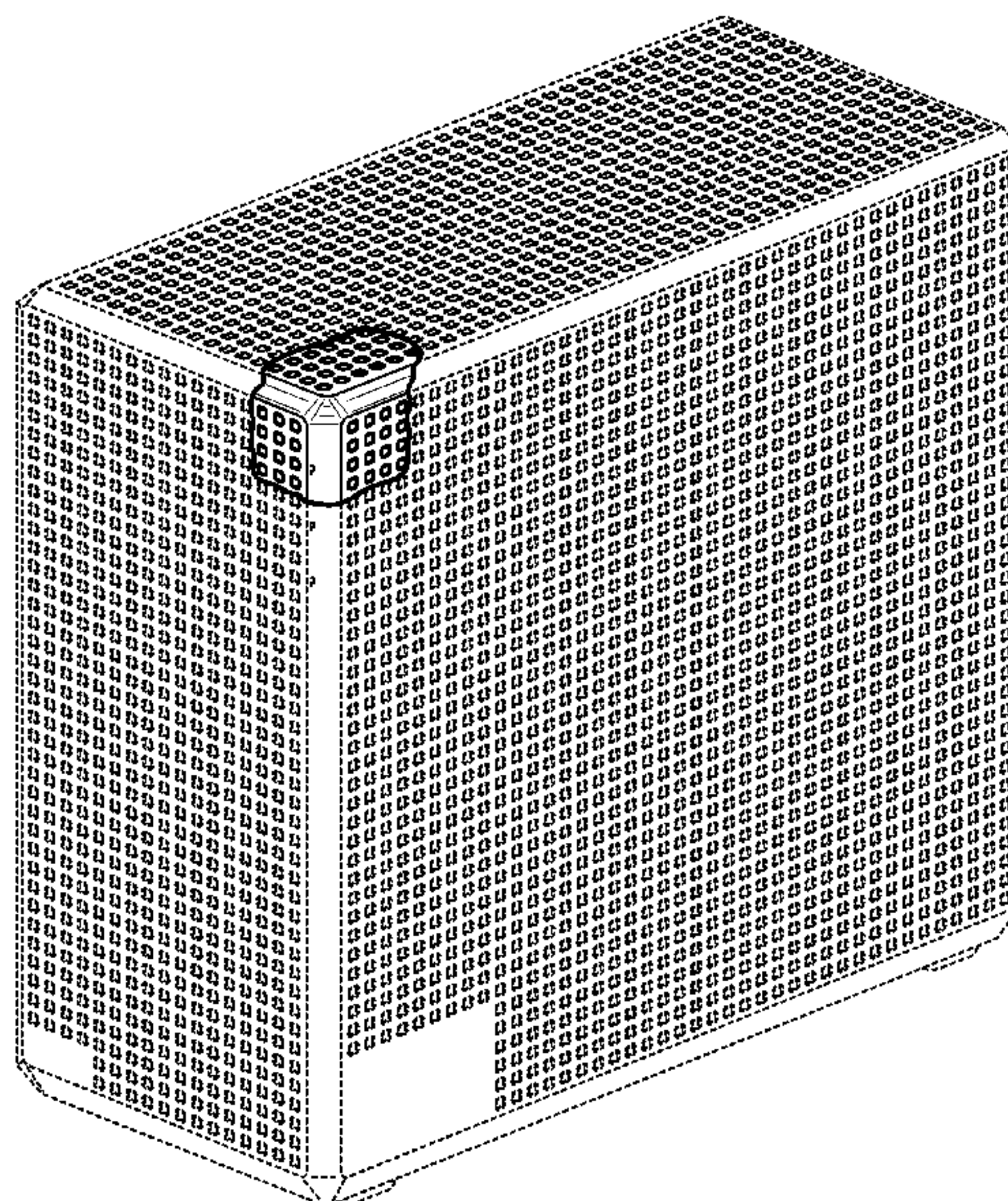
(57) **CLAIM**

The ornamental design for optical network terminal, as shown and described.

**DESCRIPTION**

FIG. 1 is an isometric view of an optical network terminal showing our new design;  
 FIG. 2 is a side view thereof;  
 FIG. 3 is an opposite side view thereof;  
 FIG. 4 is a front view thereof;  
 FIG. 5 is a back view thereof;  
 FIG. 6 is a top view thereof; and,  
 FIG. 7 is a bottom view thereof.  
 Portions of FIGS. 1-7 that are shown as broken lines are for illustrative purpose only and form no part of the claimed design.

**1 Claim, 3 Drawing Sheets**





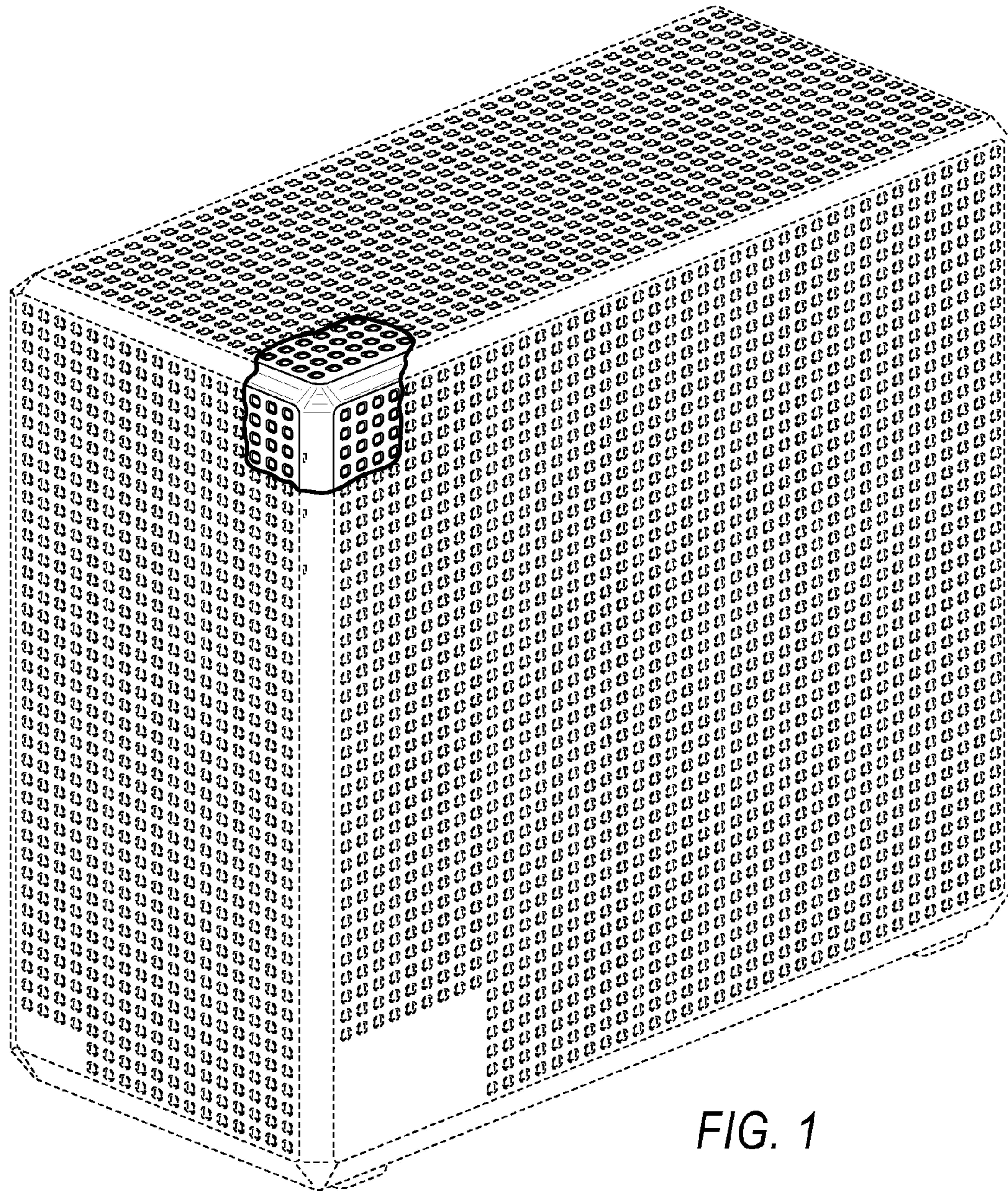


FIG. 1



FIG. 2

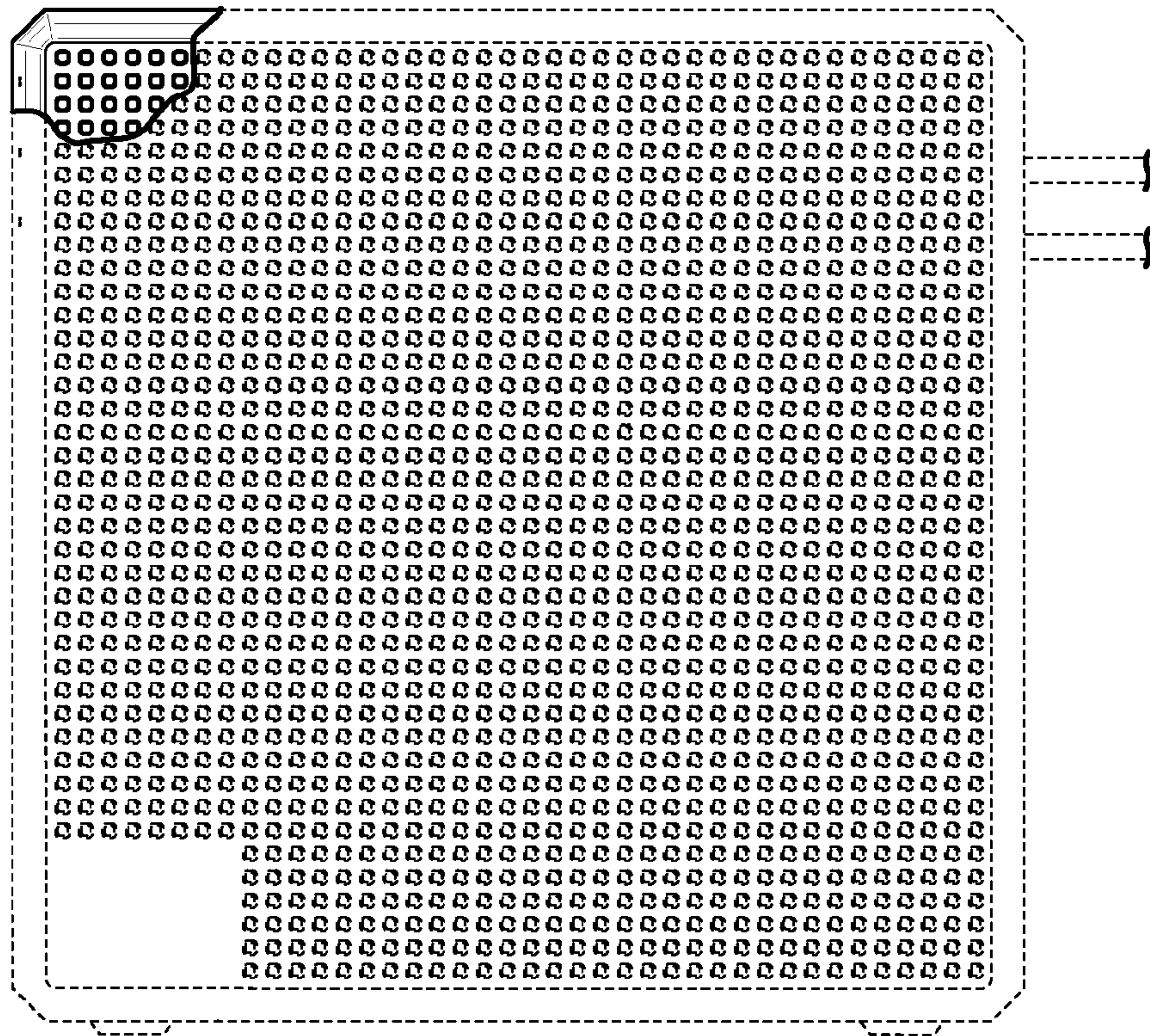
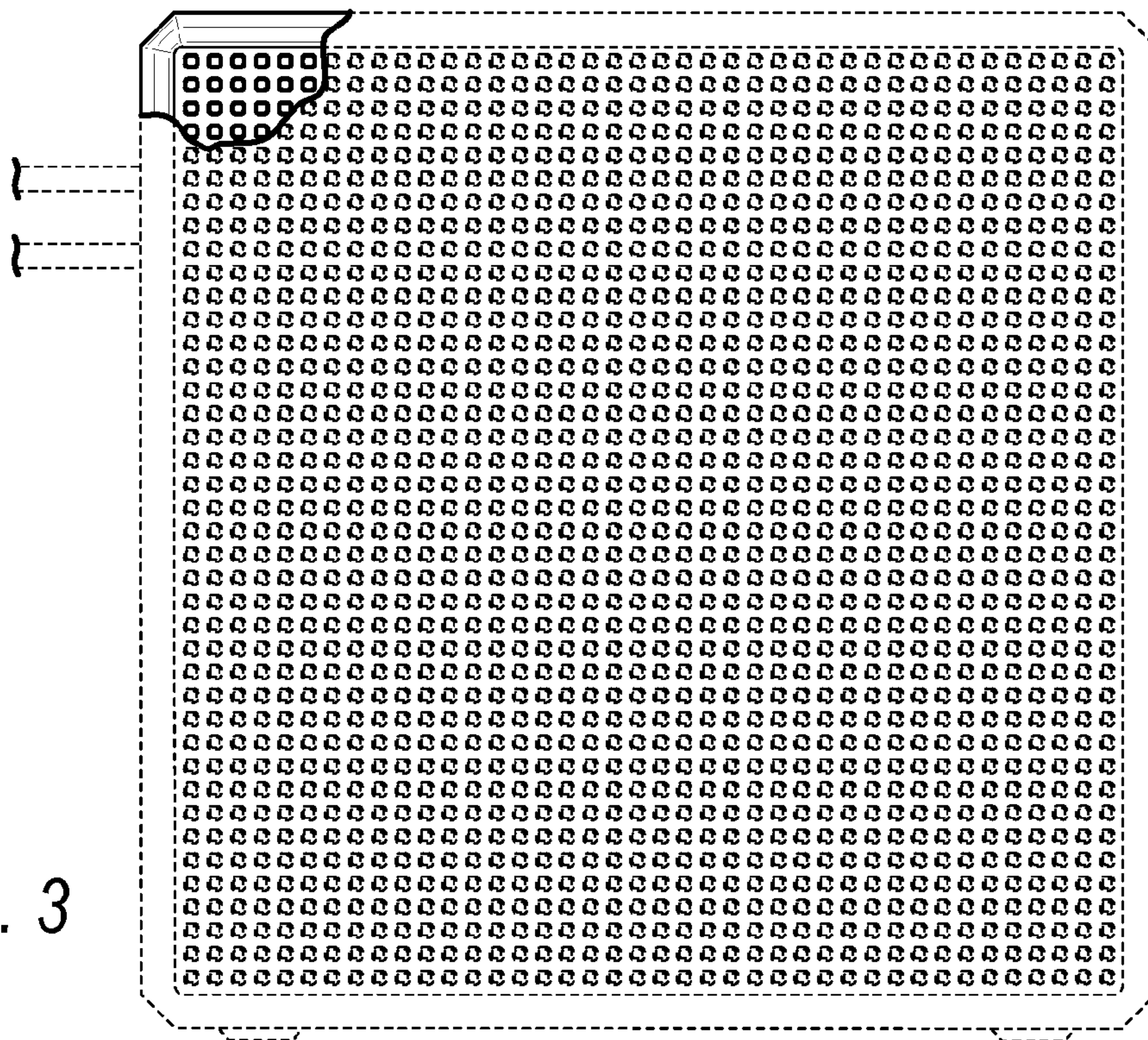


FIG. 3



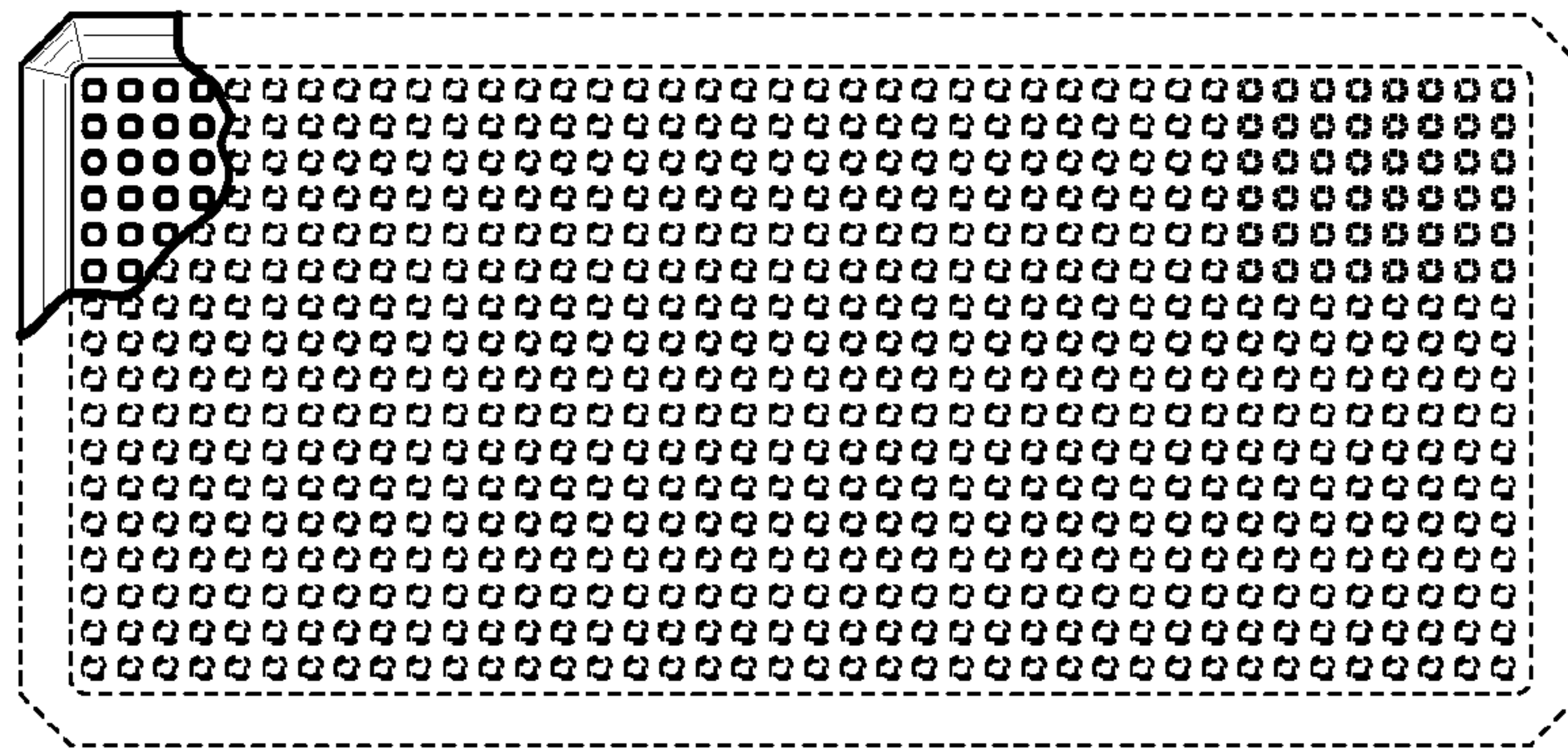


FIG. 6

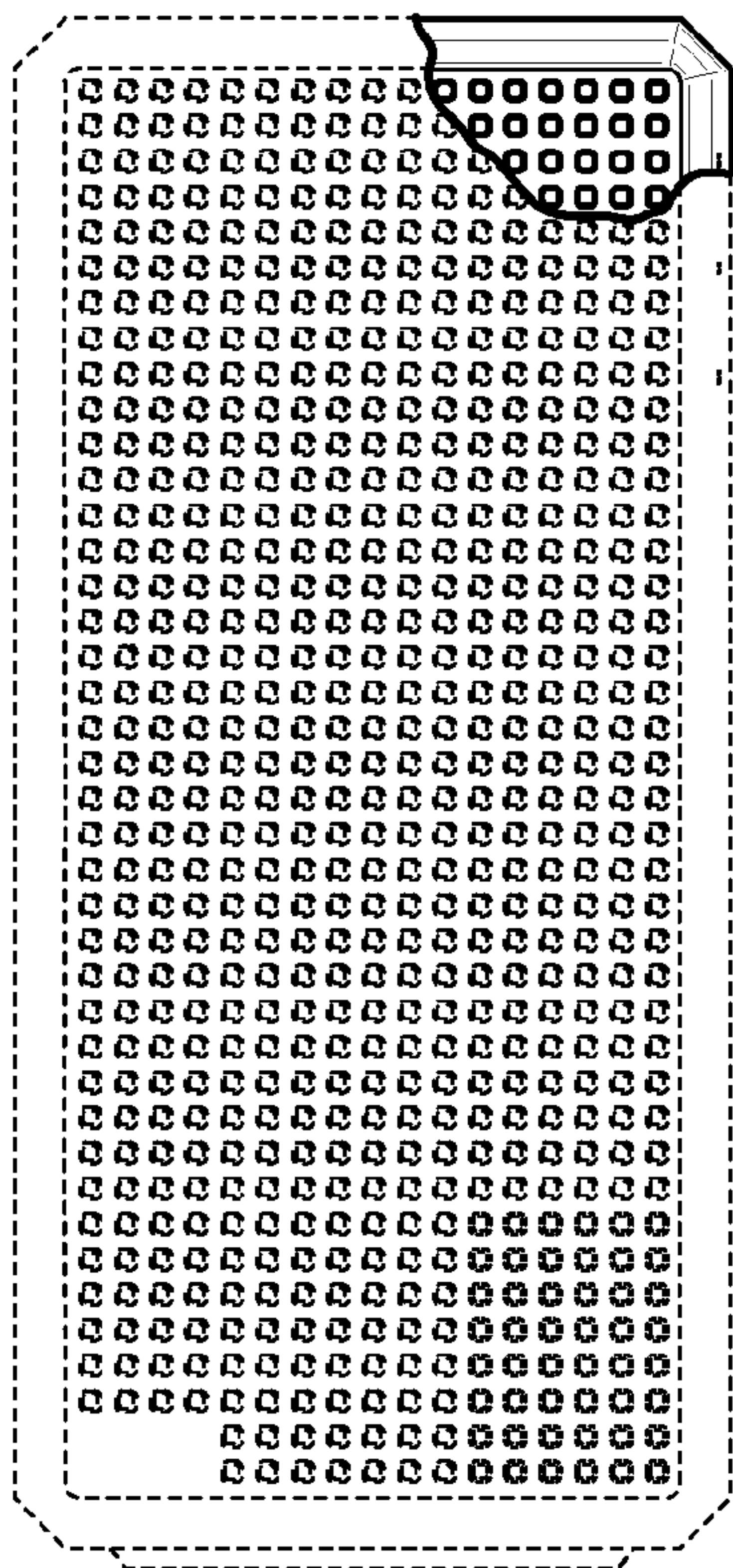


FIG. 4

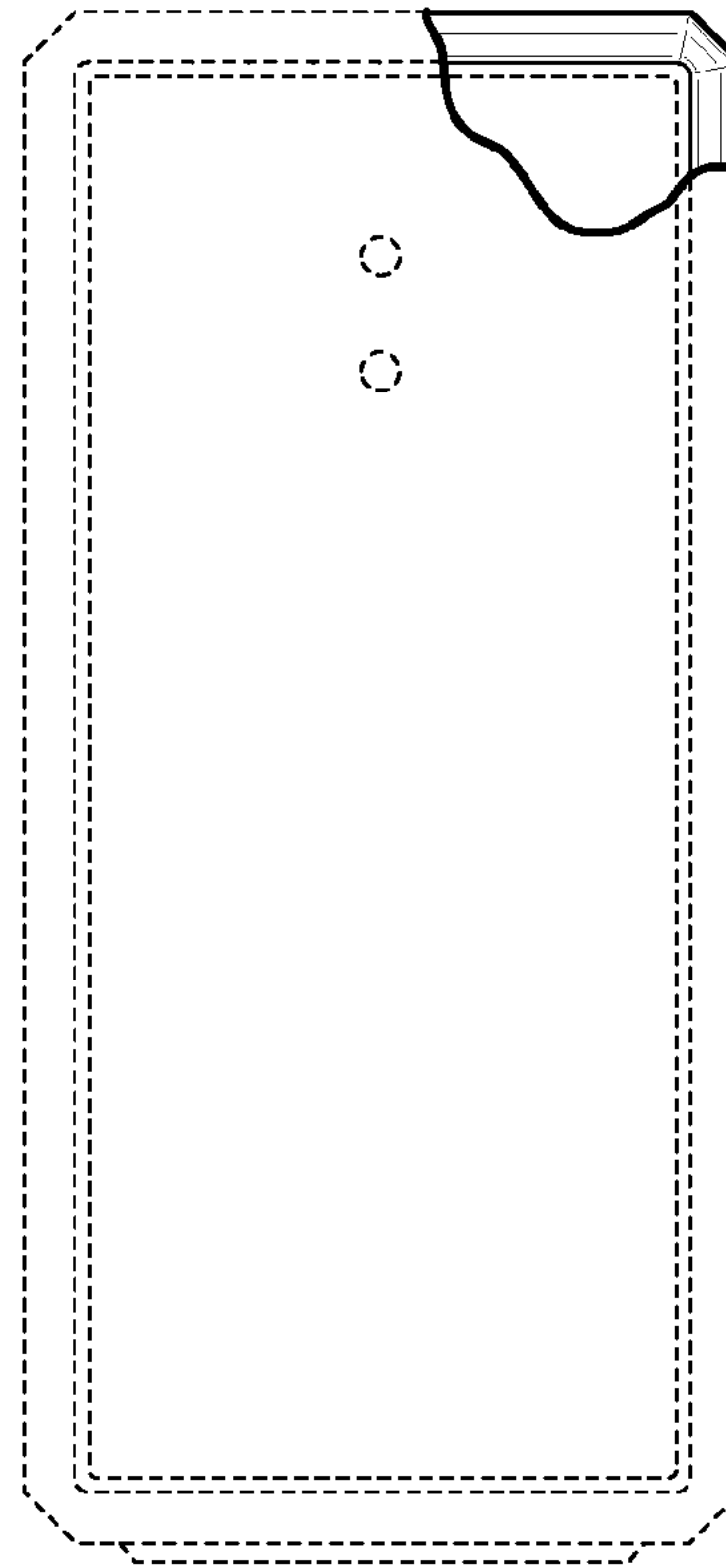


FIG. 5

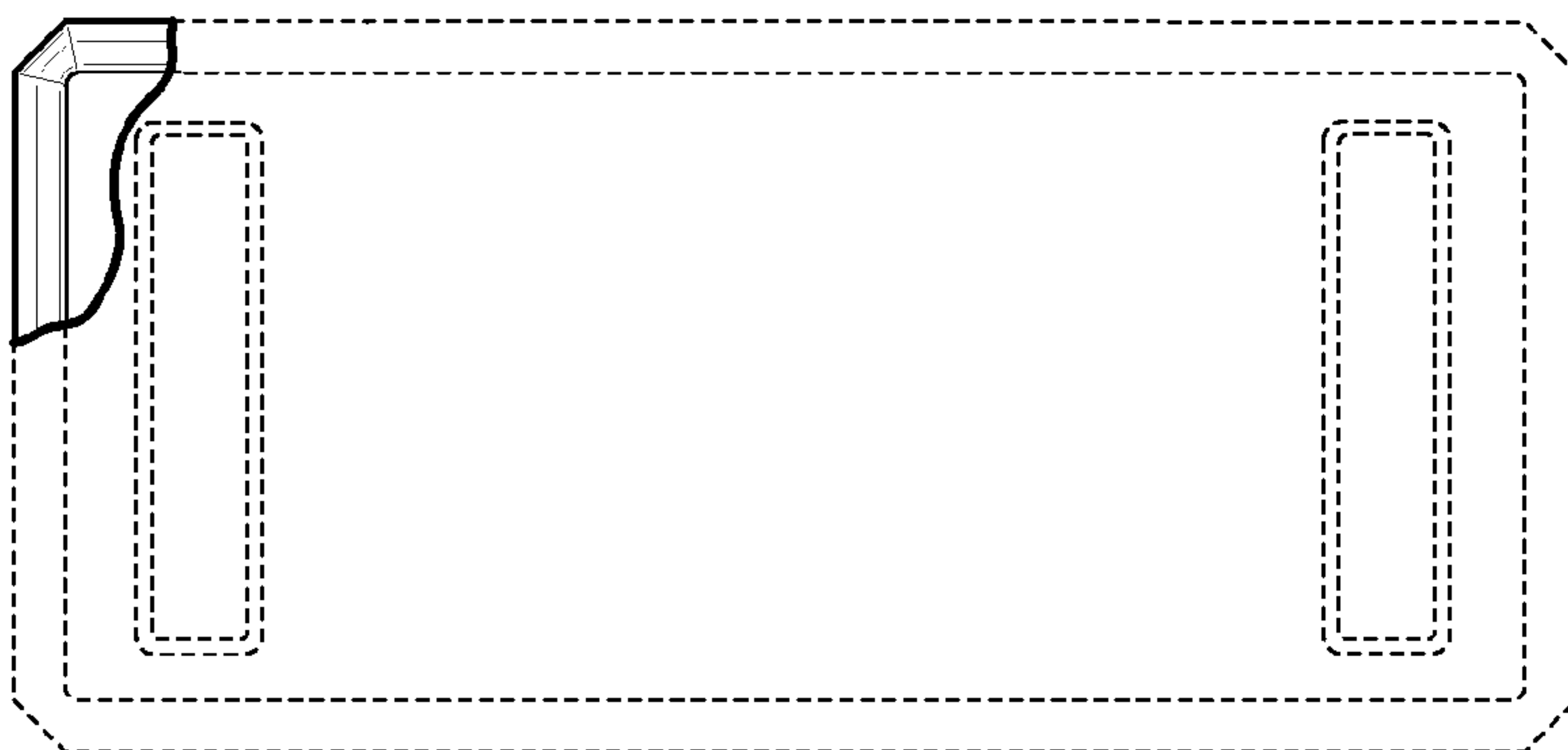


FIG. 7