



US00D635561S

(12) **United States Design Patent**
Nakashima

(10) **Patent No.:** **US D635,561 S**

(45) **Date of Patent:** **** Apr. 5, 2011**

(54) **PRIVATE BRANCH EXCHANGE**

(75) Inventor: **Toshihiro Nakashima**, Kadoma (JP)

(73) Assignee: **Panasonic Corporation**, Osaka (JP)

(**) Term: **14 Years**

(21) Appl. No.: **29/304,395**

(22) Filed: **Feb. 29, 2008**

(51) **LOC (9) Cl.** **14-02**

(52) **U.S. Cl.** **D14/240**

(58) **Field of Classification Search** D14/242,
D14/496, 240, 167, 302, 314, 348-358, 363,
D14/383, 433, 140-140.9; D13/139.3-139.6,
D13/147; 361/695, 729, 683, 796; 439/74,
439/540.1, 131

See application file for complete search history.

(56) **References Cited**

U.S. PATENT DOCUMENTS

D231,533	S	*	4/1974	Sander	D14/140.4
D247,894	S	*	5/1978	O'Donnell	D13/139.4
D278,336	S		4/1985	Girardi et al.		
4,984,982	A	*	1/1991	Brownlie et al.	439/131
D351,154	S		10/1994	Fujino		
5,530,842	A	*	6/1996	Abraham et al.	709/221
5,531,611	A	*	7/1996	Reed et al.	439/540.1
5,645,434	A	*	7/1997	Leung	439/74
5,781,745	A	*	7/1998	Ramelson et al.	710/113
D464,972	S	*	10/2002	Carrasco, Jr.	D14/433
D465,216	S	*	11/2002	Zdinak et al.	D14/240
D466,111	S	*	11/2002	Johnsen	D14/140.4
6,525,926	B1	*	2/2003	Chen	361/679.6
D475,041	S		5/2003	Somoza et al.		
D477,570	S	*	7/2003	Zdinak et al.	D13/147
D490,803	S		6/2004	Ng et al.		
6,778,409	B2	*	8/2004	Jones	361/796
7,102,887	B2	*	9/2006	Blackwell	361/695

D531,978	S		11/2006	Ng et al.		
D542,284	S	*	5/2007	Kim	D14/240
D556,139	S	*	11/2007	Gershfeld	D13/139.4
7,327,579	B2	*	2/2008	Papenbreer et al.	361/729
D579,873	S	*	11/2008	Gershfeld	D13/139.4
D580,865	S	*	11/2008	Gershfeld	D13/139.4

* cited by examiner

Primary Examiner — Ian Simmons

Assistant Examiner — Charles D Hanson

(74) *Attorney, Agent, or Firm* — Brinks Hofer Gilson & Lione

(57) **CLAIM**

I claim the ornamental design for a private branch exchange, as shown and described.

DESCRIPTION

FIG. 1 is a front perspective view of a first embodiment of a private branch exchange of the present invention;

FIG. 2 is a front view thereof;

FIG. 3 is a rear view thereof;

FIG. 4 is a first side view thereof;

FIG. 5 is a second side view thereof;

FIG. 6 is a top view thereof;

FIG. 7 is a bottom view thereof;

FIG. 8 is a front perspective view of a second embodiment of a private branch exchange of the present invention;

FIG. 9 is a front view thereof;

FIG. 10 is a rear view thereof;

FIG. 11 is a first side view thereof;

FIG. 12 is a second side view thereof;

FIG. 13 is a top view thereof; and,

FIG. 14 is a bottom view thereof.

The broken line showing of private branch exchange is included for the purpose of illustrating environment and forms no part of the claimed design.

1 Claim, 14 Drawing Sheets

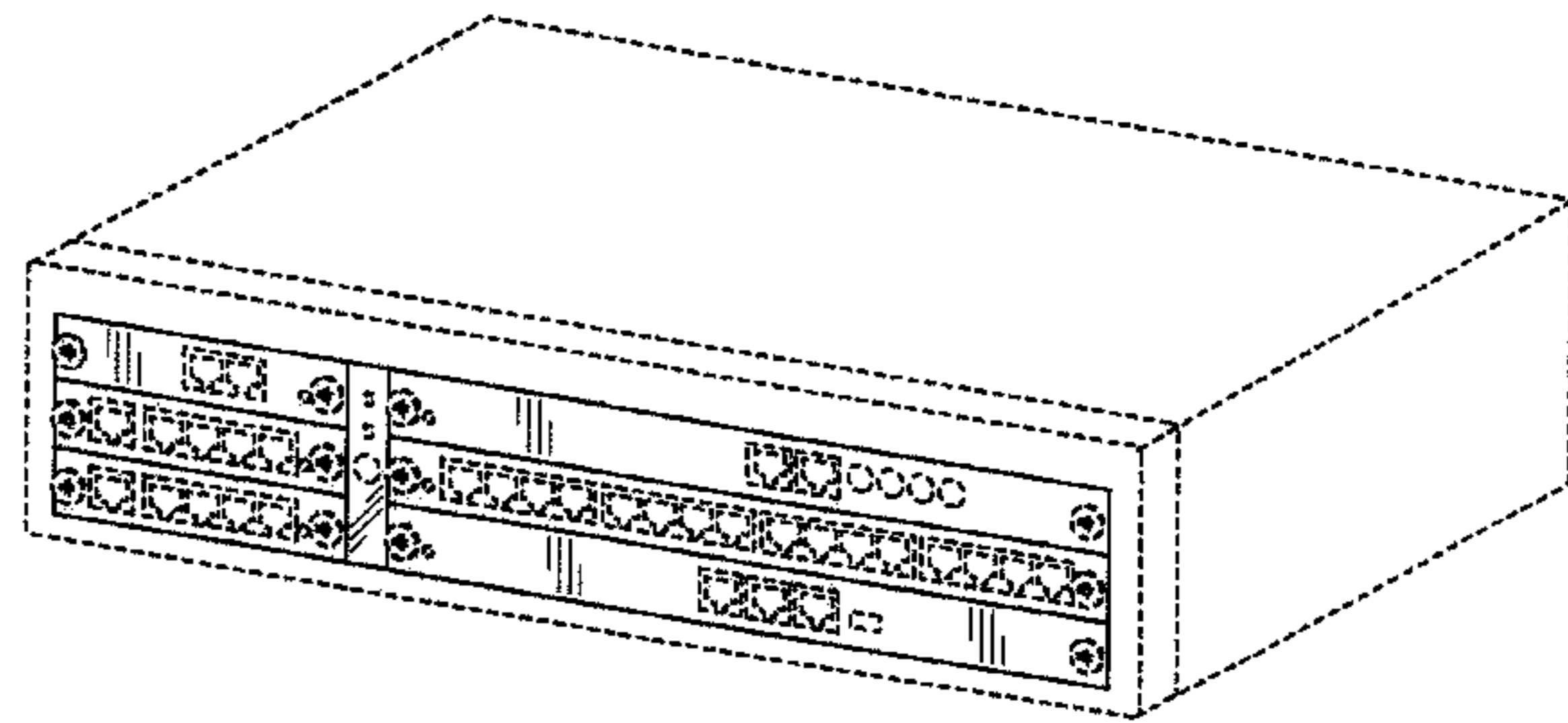
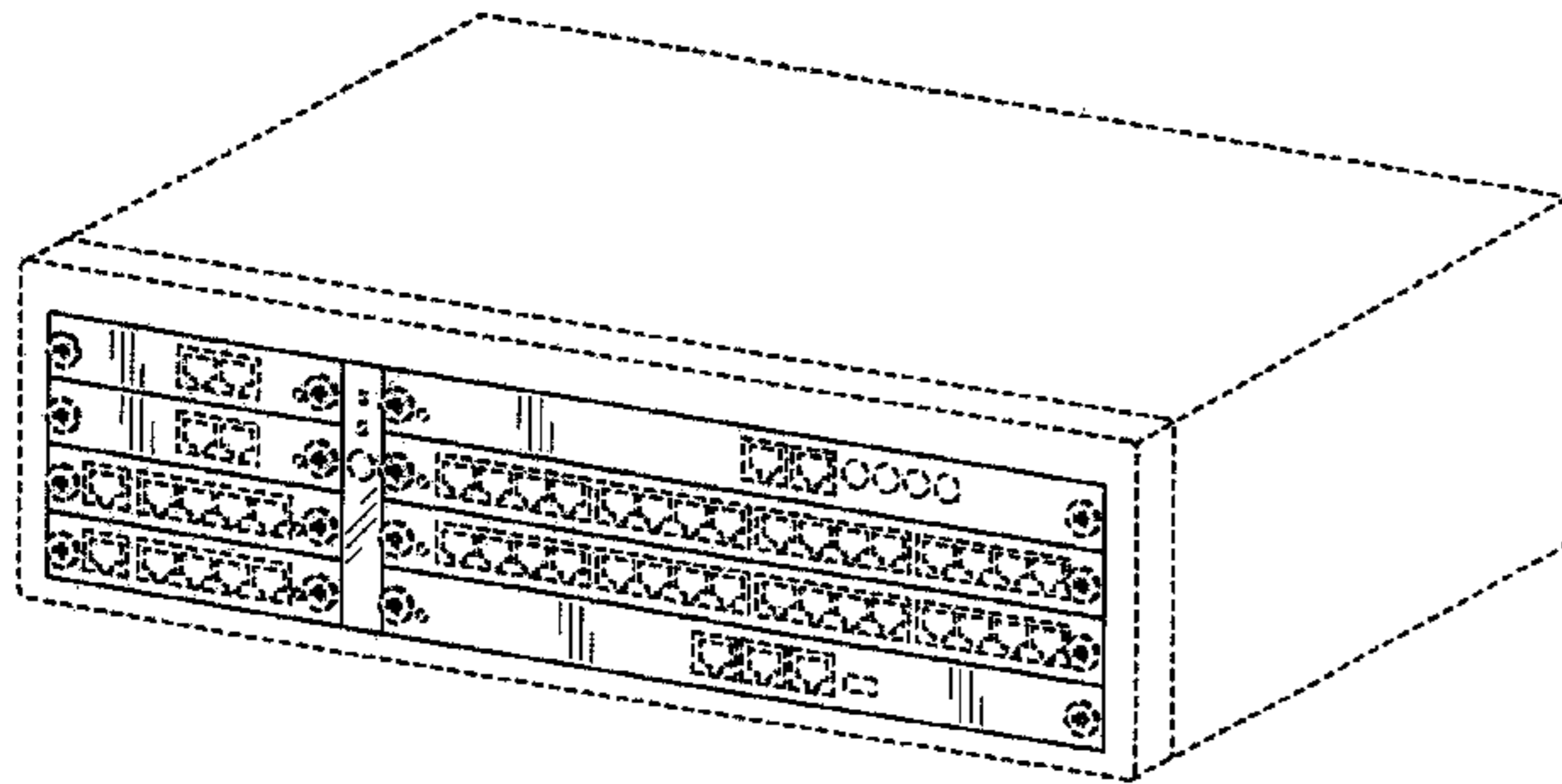


FIG. 1

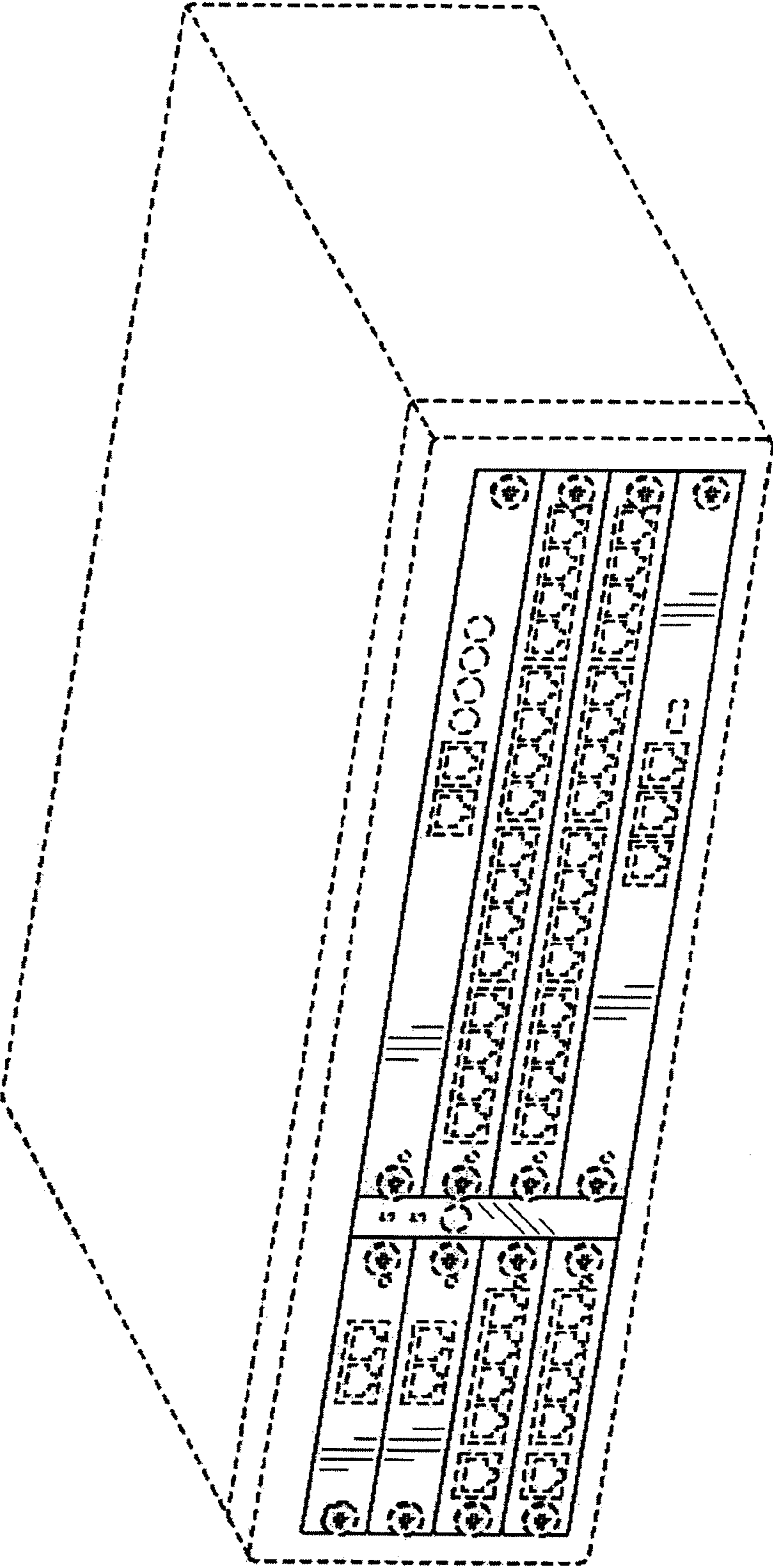


FIG. 2

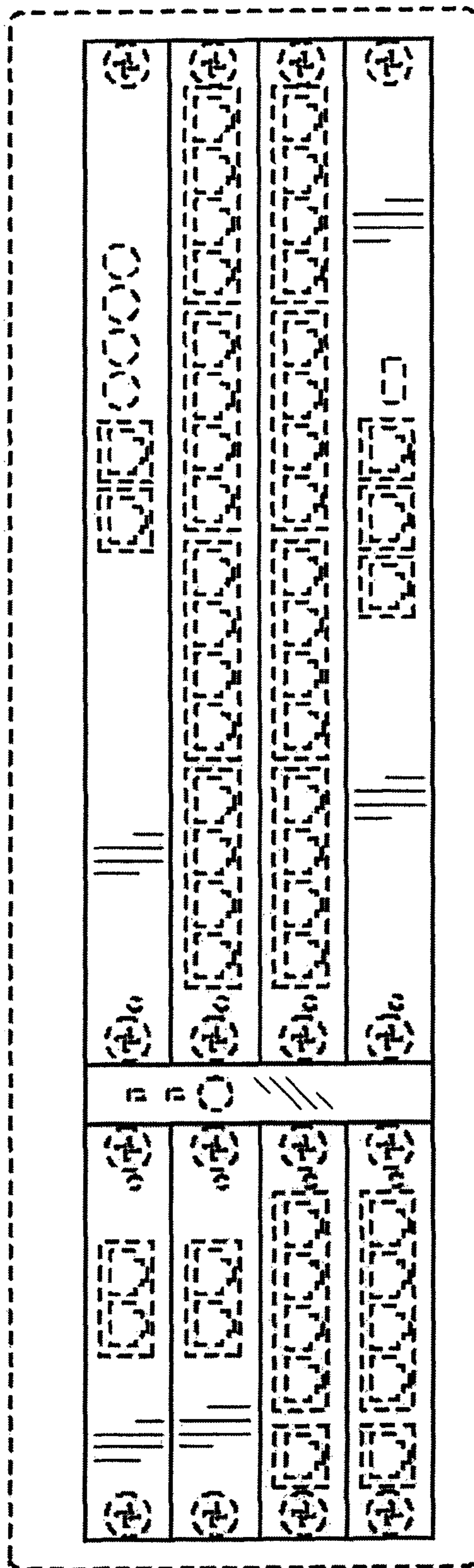


FIG.3

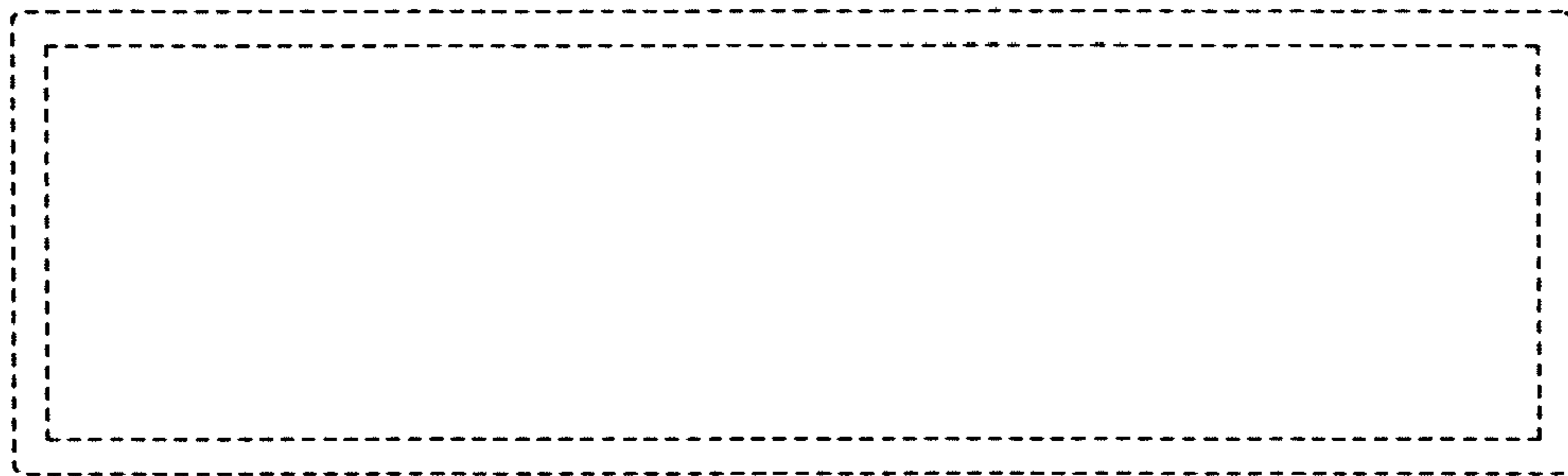


FIG.4



FIG. 5



FIG.6

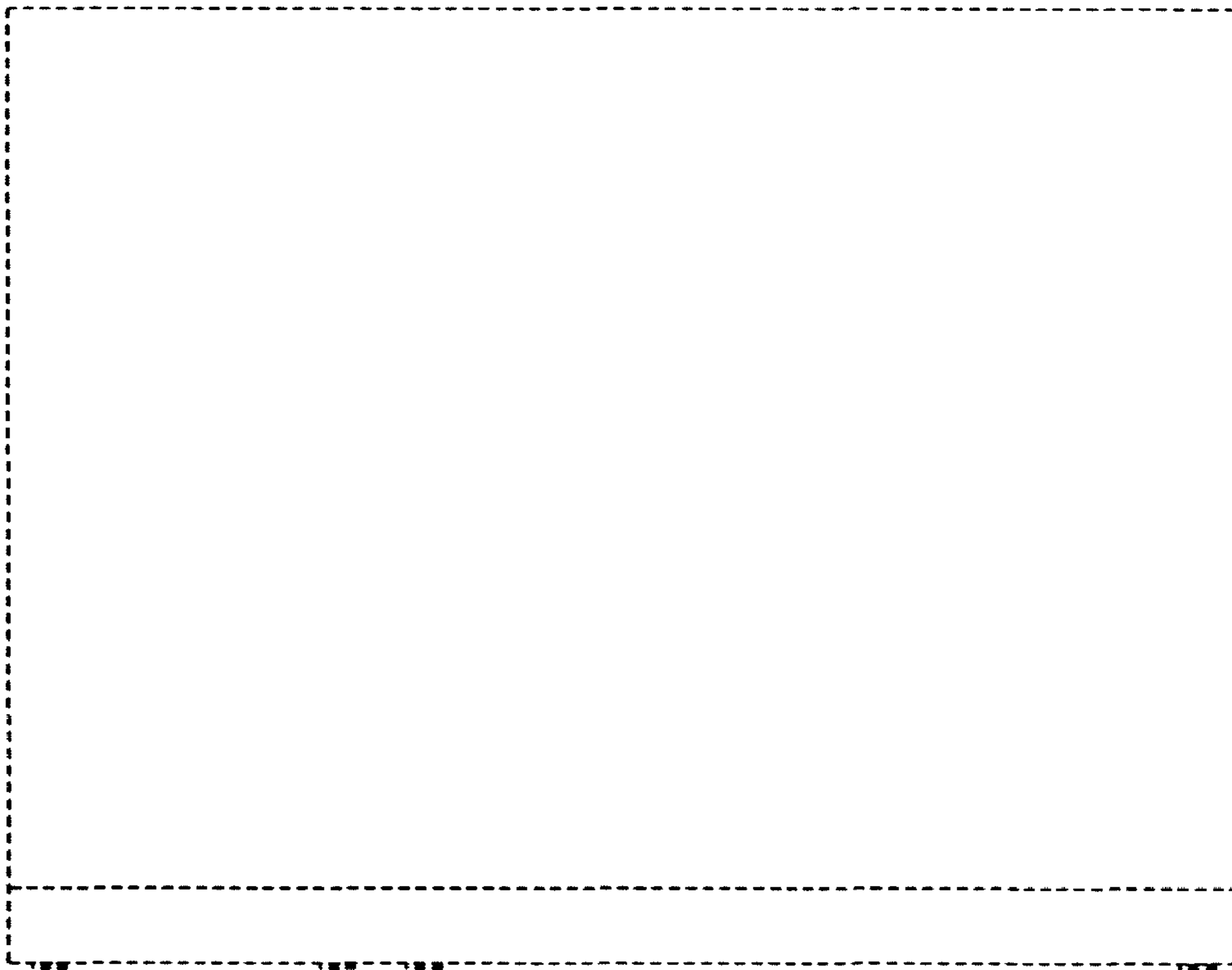


FIG.7

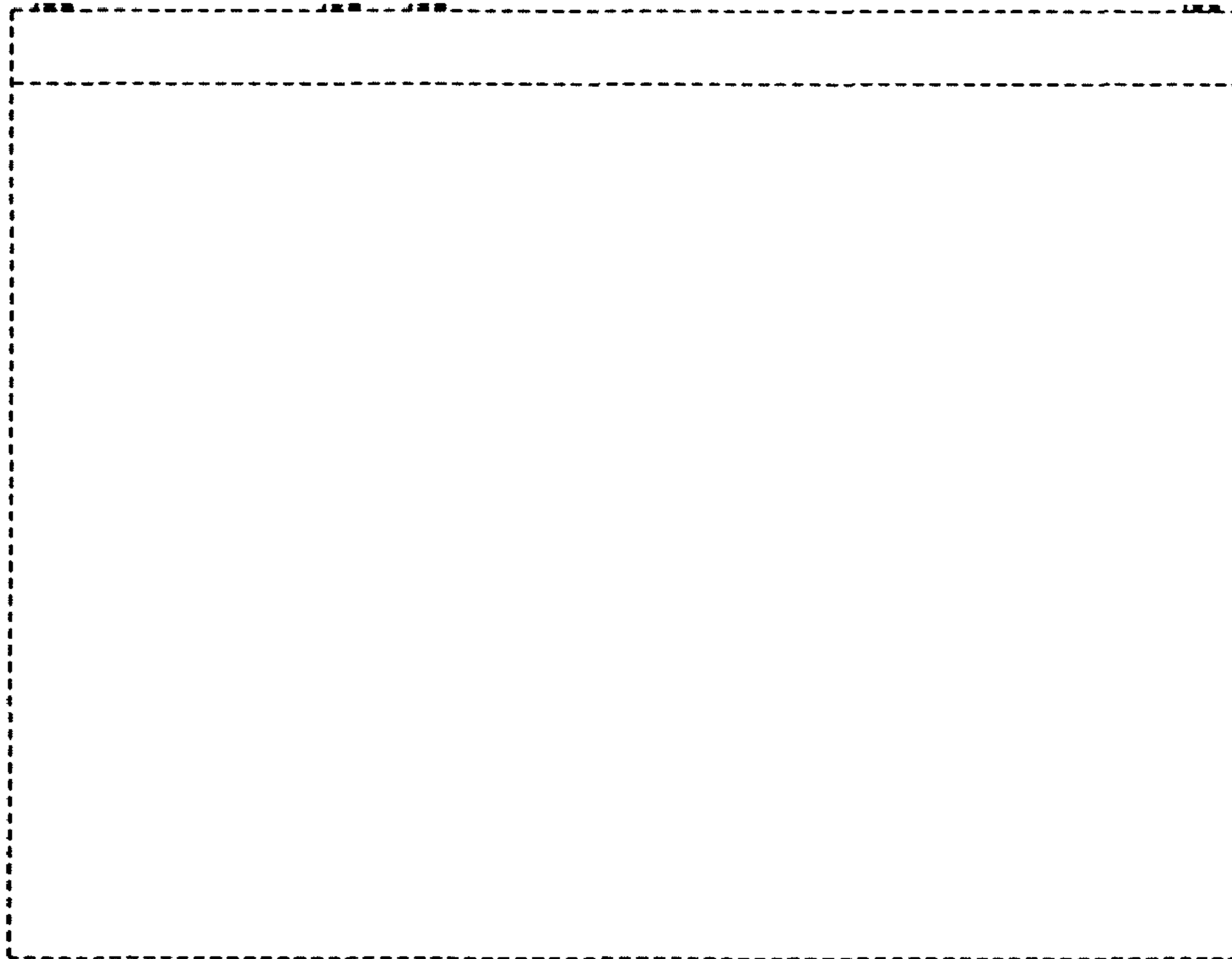


FIG. 8

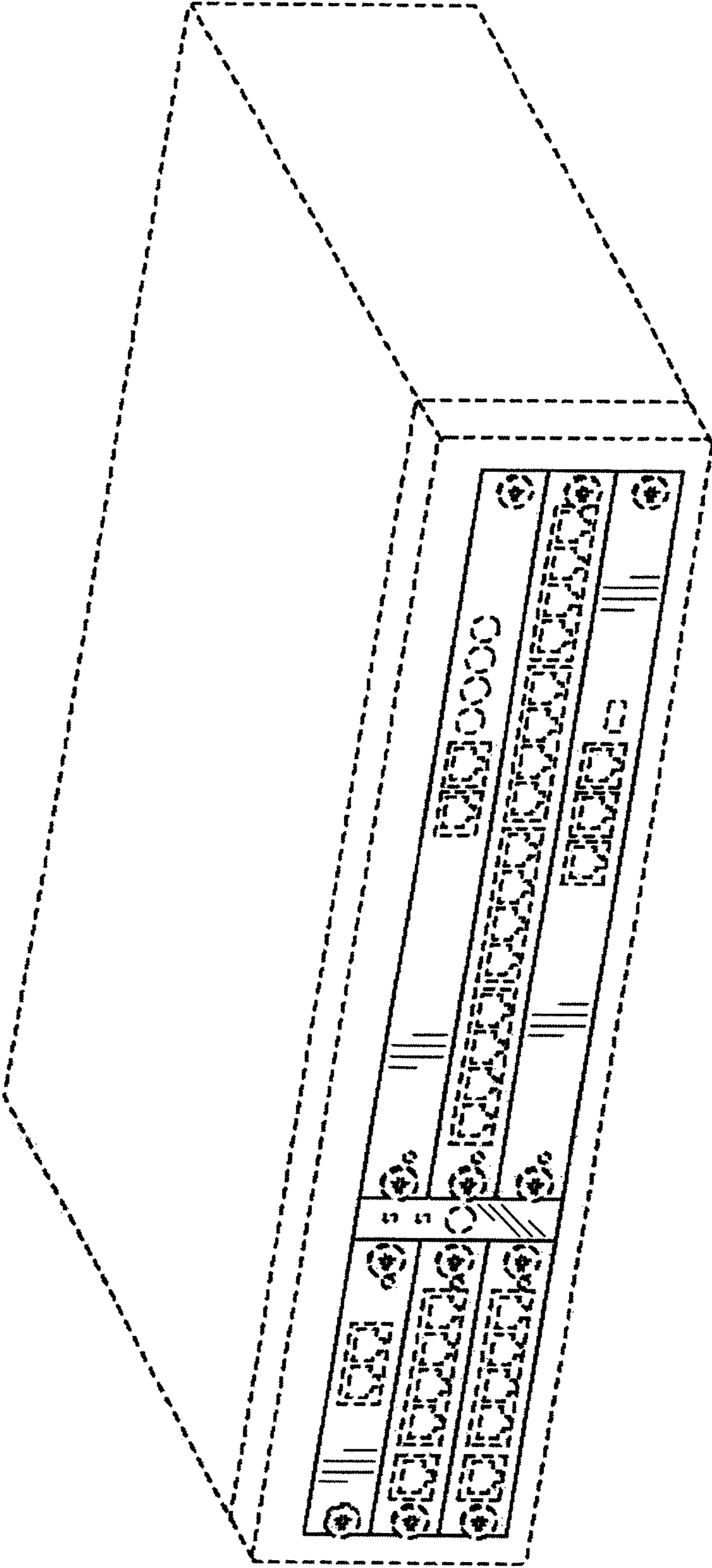


FIG. 9

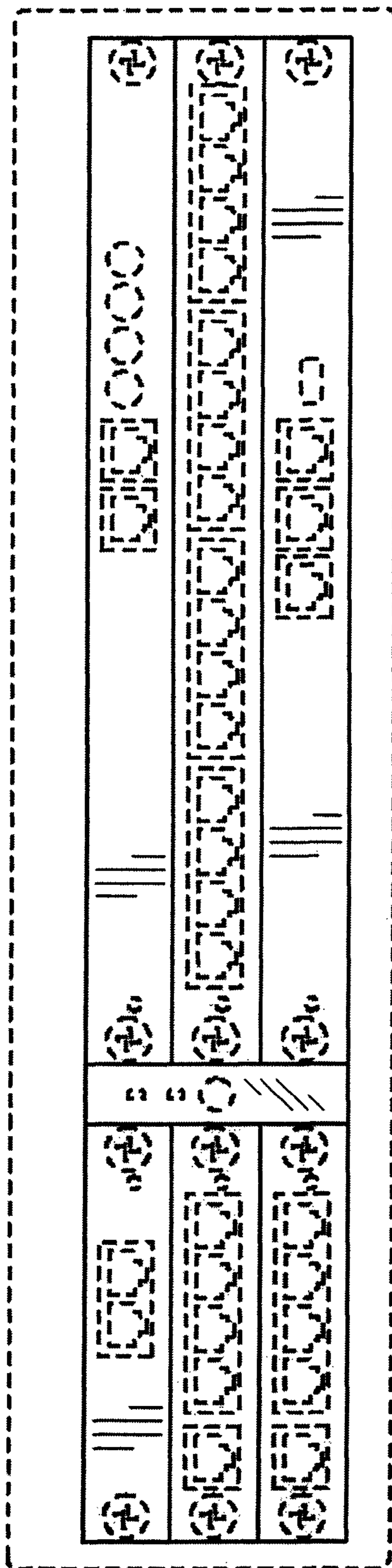


FIG.10

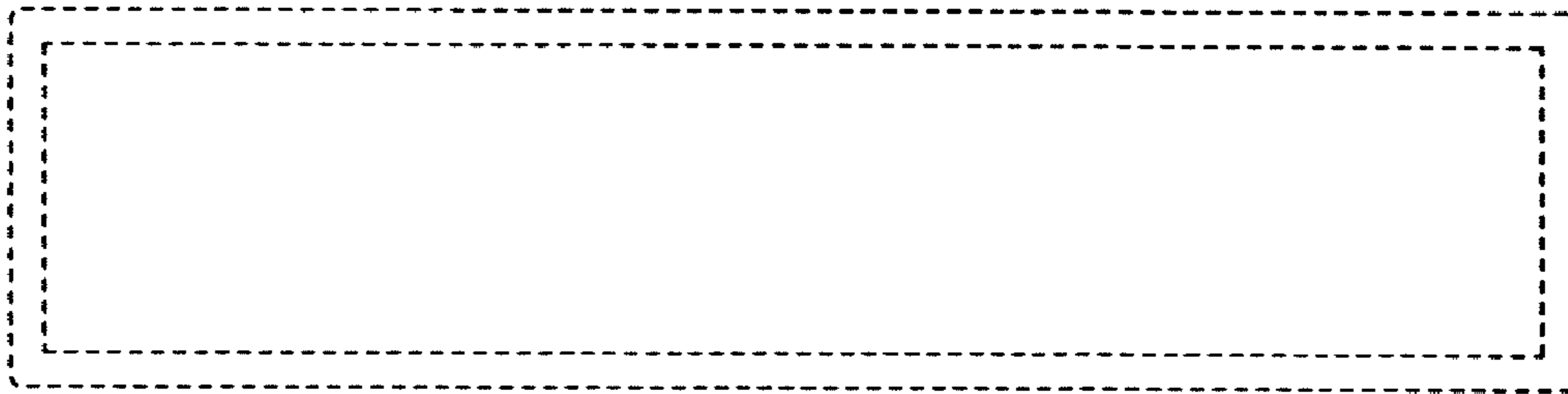


FIG.11



FIG.12

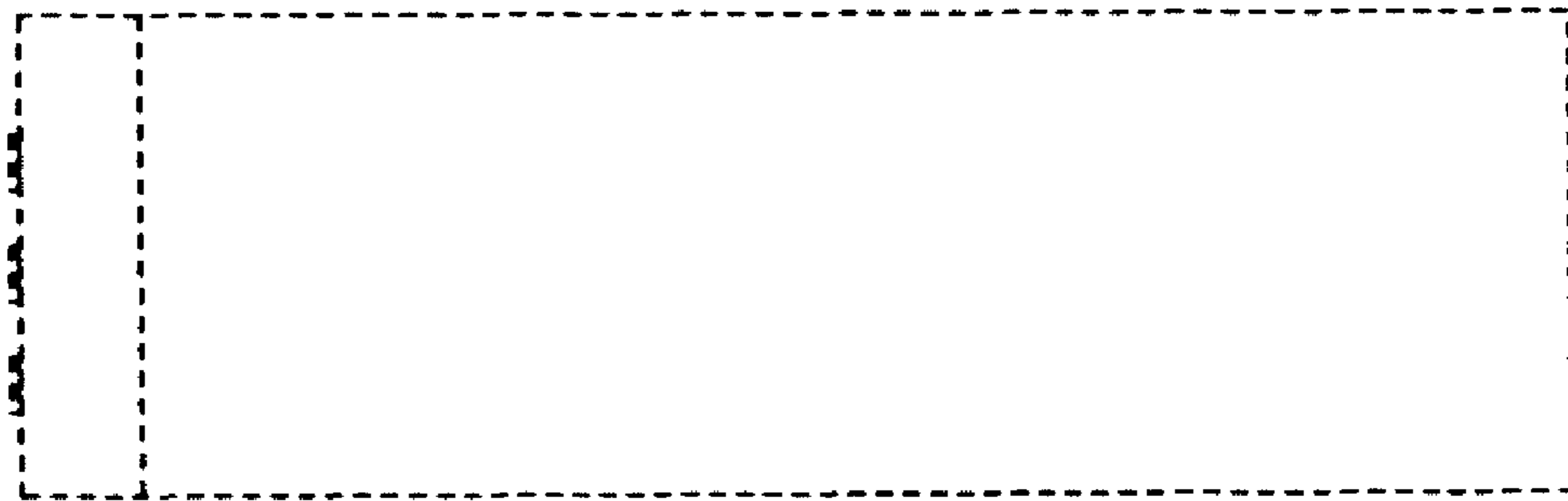


FIG.13

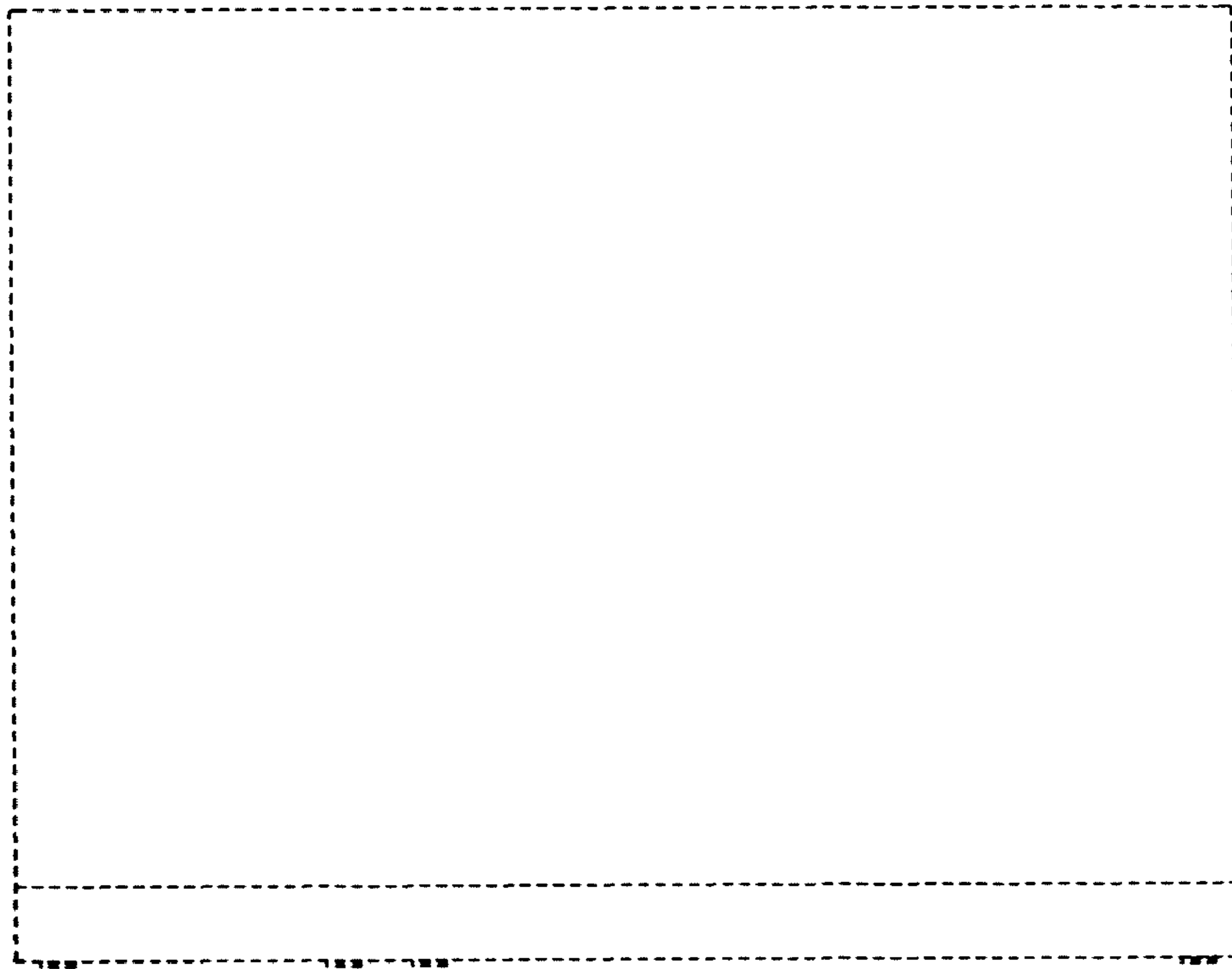


FIG.14

