



US00D635556S

(12) **United States Design Patent**
Suzuki

(10) **Patent No.:** **US D635,556 S**

(45) **Date of Patent:** **** Apr. 5, 2011**

(54) **REMOTE CONTROLLER**

(75) Inventor: **Akio Suzuki**, Tokyo (JP)

(73) Assignee: **Sony Corporation**, Tokyo (JP)

(**) Term: **14 Years**

(21) Appl. No.: **29/347,891**

(22) Filed: **Jul. 13, 2010**

(30) **Foreign Application Priority Data**

Jan. 19, 2010 (JP) 2010-001127

(51) **LOC (9) Cl.** **14-03**

(52) **U.S. Cl.** **D14/218**

(58) **Field of Classification Search** D14/218,
D14/455; D13/168; D21/566; D10/104,
D10/106; 345/169; 348/14.05, 114, 211.99,
348/734; 340/825.24; 341/22; 455/92, 95,
455/128, 151.1-151.4, 352, 355, FOR. 121;
700/65

See application file for complete search history.

(56) **References Cited**

U.S. PATENT DOCUMENTS

D336,053 S *	6/1993	Hayes et al.	D10/106
D405,797 S	2/1999	Uehara	
D423,508 S	4/2000	Nakajima	
D426,826 S *	6/2000	Uehara	D14/218
D442,559 S *	5/2001	Marcomini	D13/162
D478,051 S *	8/2003	Sagawa	D13/168
D478,894 S	8/2003	Oikawa	
D478,895 S	8/2003	Oikawa	
D501,463 S	2/2005	Hisatsune	
D505,676 S *	5/2005	Porter et al.	D14/388
D520,989 S *	5/2006	Miller	D14/218
D569,352 S *	5/2008	Gordon et al.	D13/168
D569,864 S *	5/2008	Chen	D14/337

D573,628 S *	7/2008	Sakamoto	D16/237
D576,618 S *	9/2008	Wong	D14/341
D579,798 S *	11/2008	Kachlick et al.	D10/50
D590,374 S *	4/2009	Madonna et al.	D14/218
D592,081 S *	5/2009	Kachlick et al.	D10/50
D599,328 S *	9/2009	Derocher et al.	D14/218
D601,139 S *	9/2009	Huang et al.	D14/341
D606,981 S *	12/2009	Kaneko	D14/218
D623,606 S *	9/2010	Nakai et al.	D13/168
2006/0092602 A1 *	5/2006	Hou et al.	361/679

FOREIGN PATENT DOCUMENTS

JP D1278173 S 8/2006

* cited by examiner

Primary Examiner — Celia A Murphy

Assistant Examiner — John Windmuller

(74) *Attorney, Agent, or Firm* — Rader, Fishman & Grauer PLLC

(57) **CLAIM**

The ornamental design for a remote controller, as shown and described.

DESCRIPTION

FIG. 1 is a front, top, right perspective view of a remote controller showing our new design;

FIG. 2 is a rear, top, left perspective view thereof;

FIG. 3 is a front elevational view thereof;

FIG. 4 is a left side elevational view thereof;

FIG. 5 is a right side elevational view thereof;

FIG. 6 is a top plan view thereof; and

FIG. 7 is a bottom plan view thereof; and,

FIG. 8 is a rear elevational view thereof.

Portions in broken lines are for illustrative purposes only and form no part of claimed design.

The broken lines in the figures and the unshaded regions within them form no part of the claimed design.

1 Claim, 6 Drawing Sheets

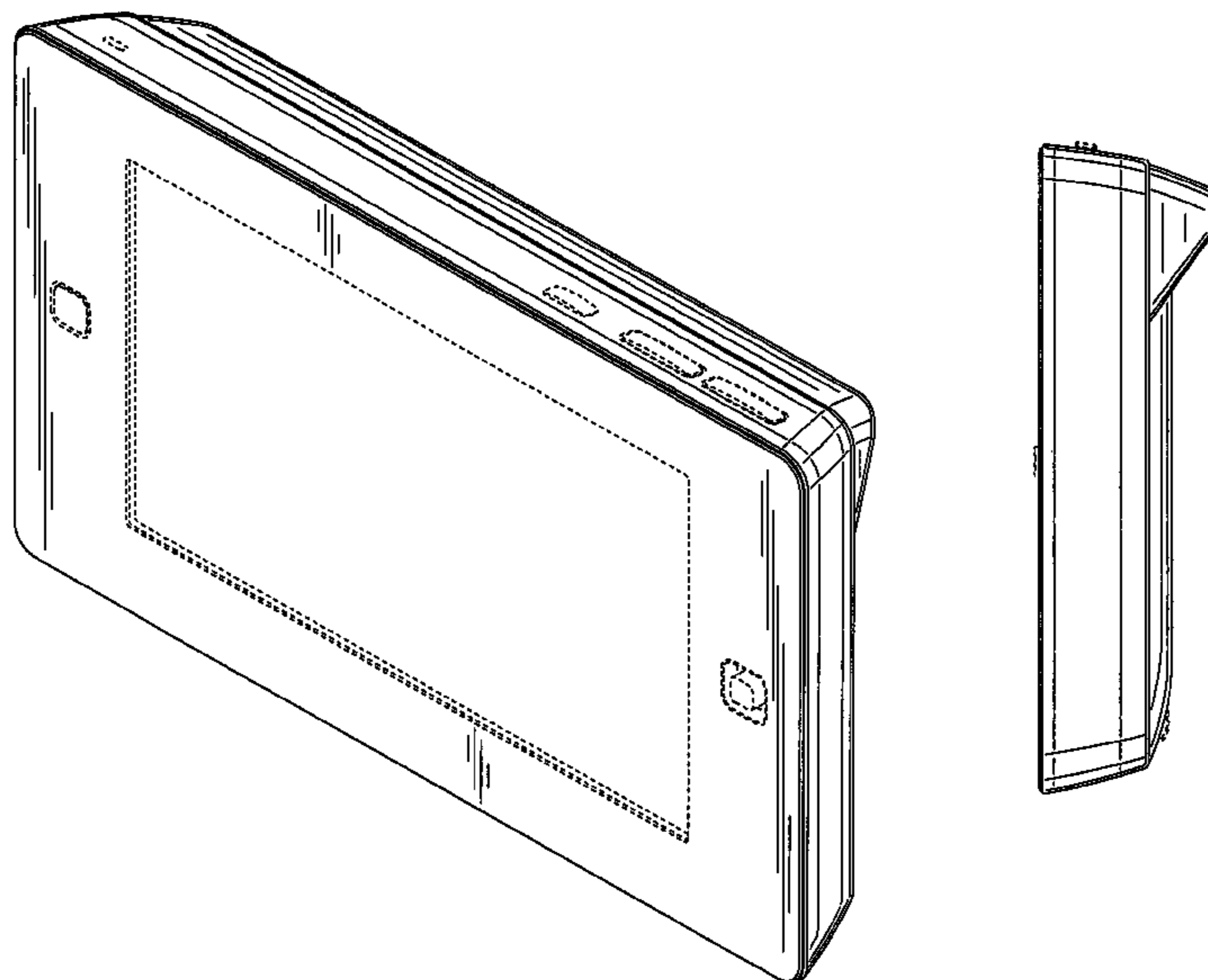


FIG.1

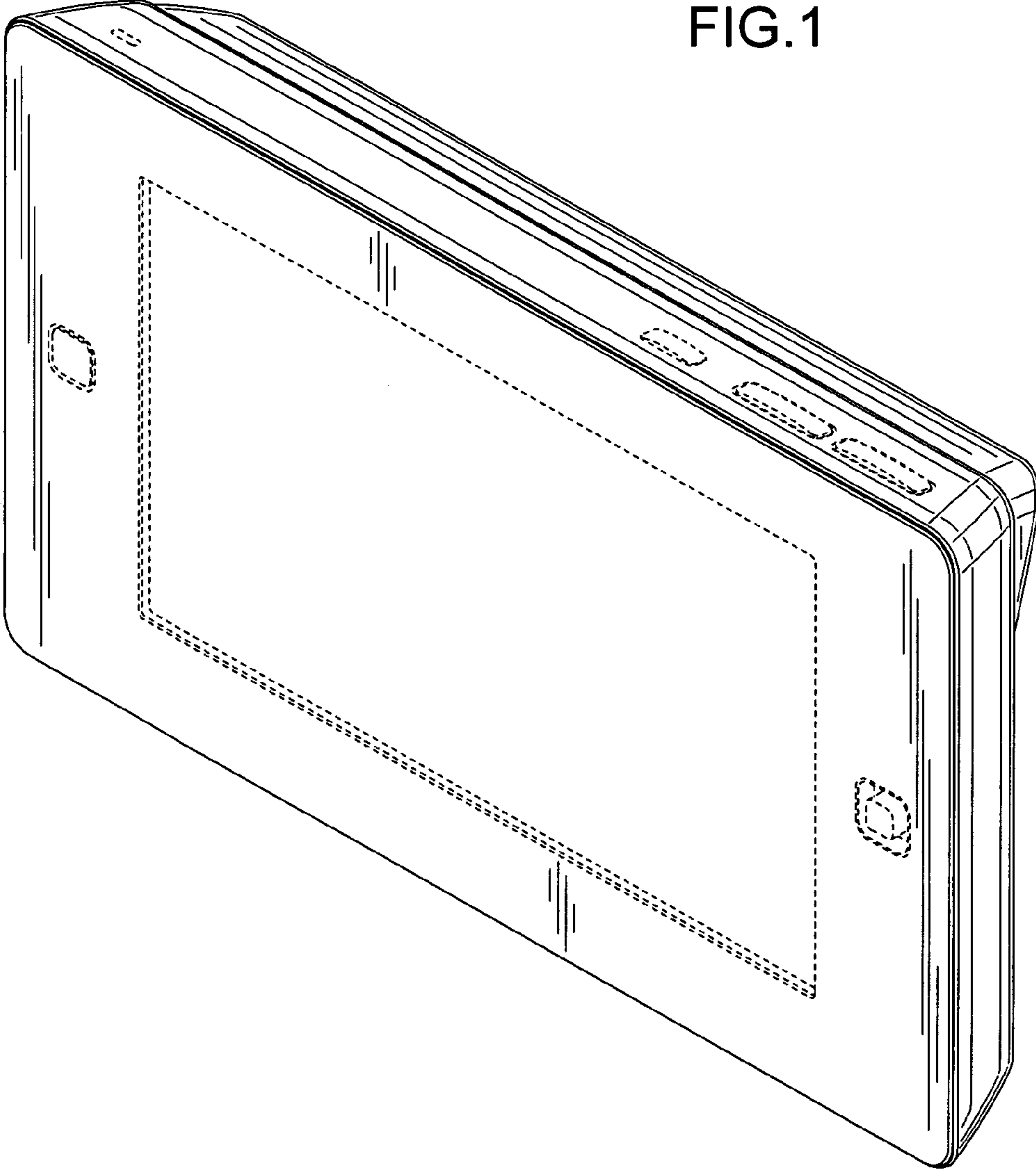


FIG.2

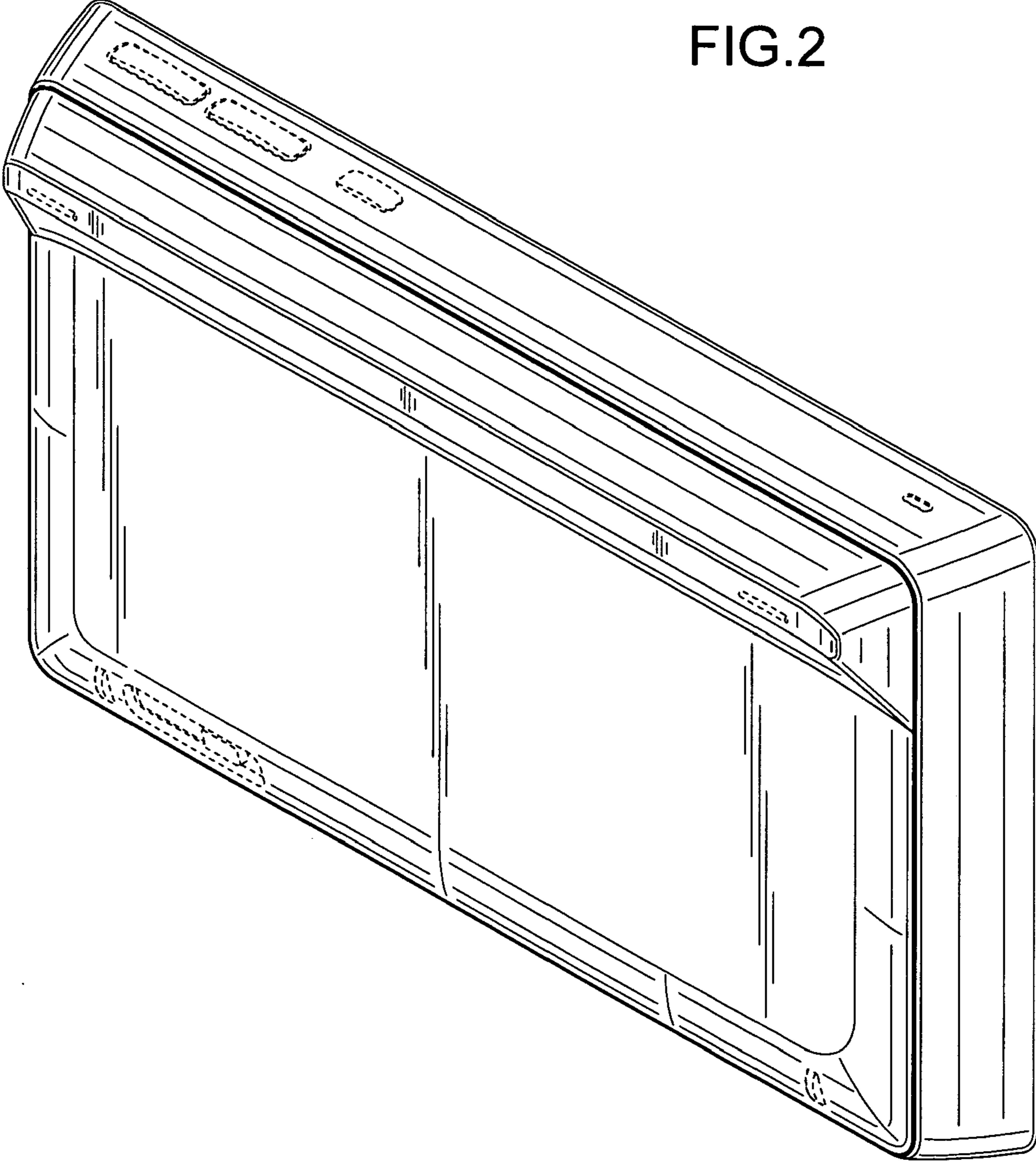


FIG.3

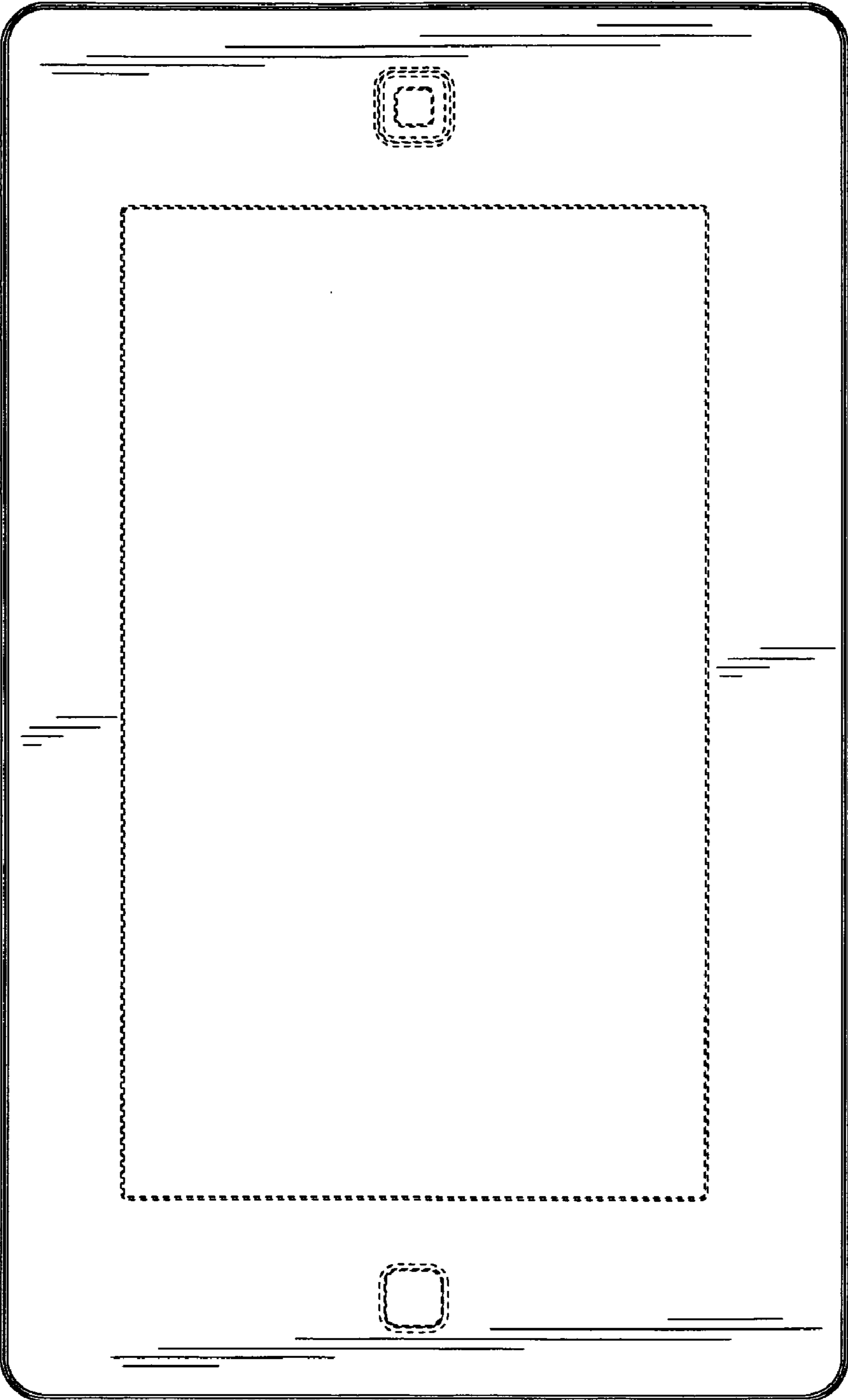


FIG.4

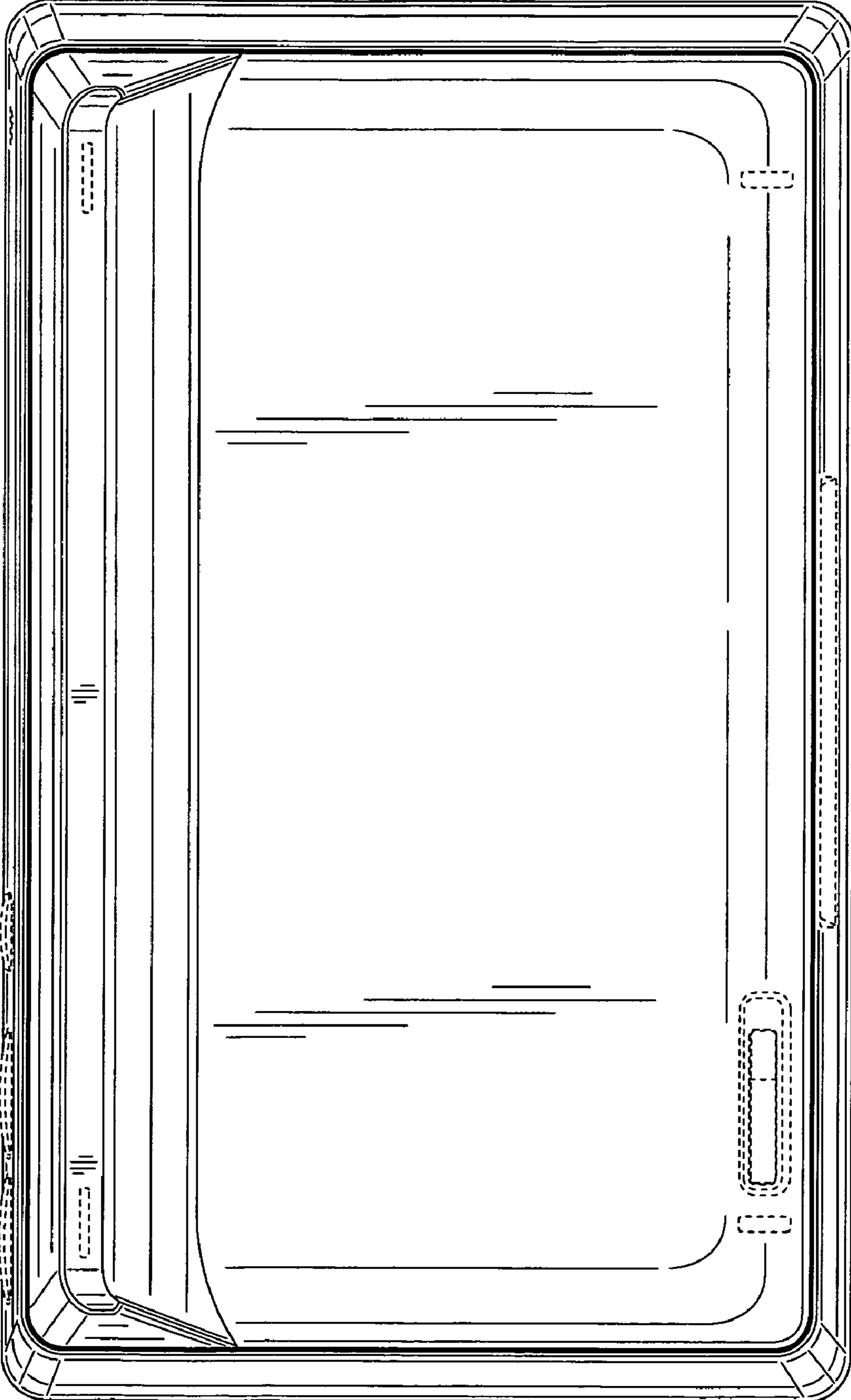


FIG.5

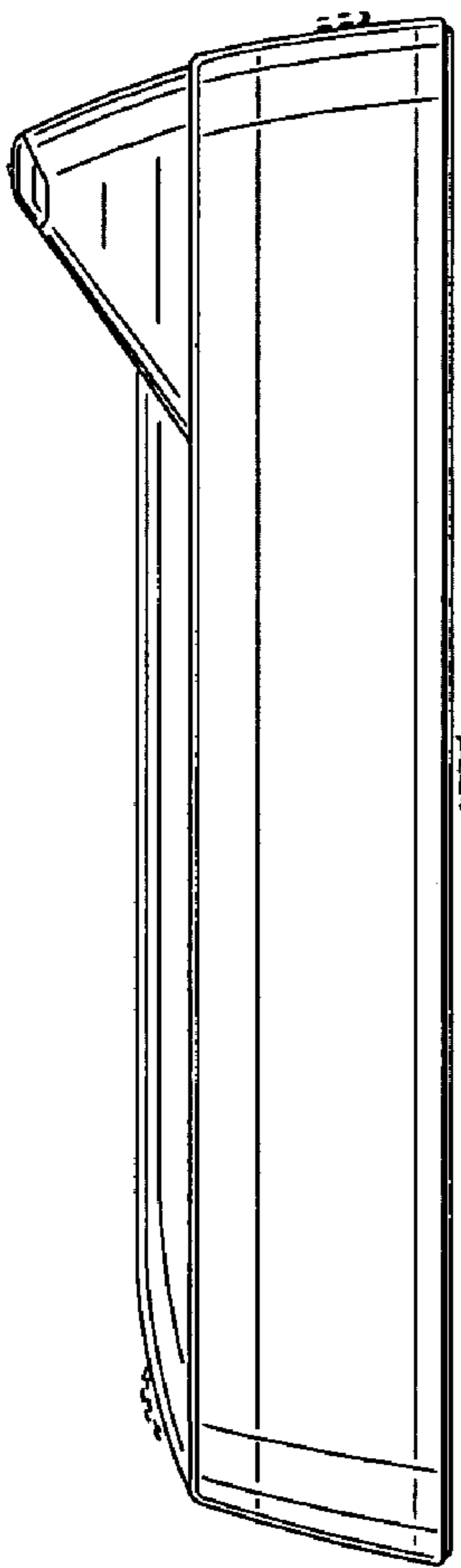


FIG.6

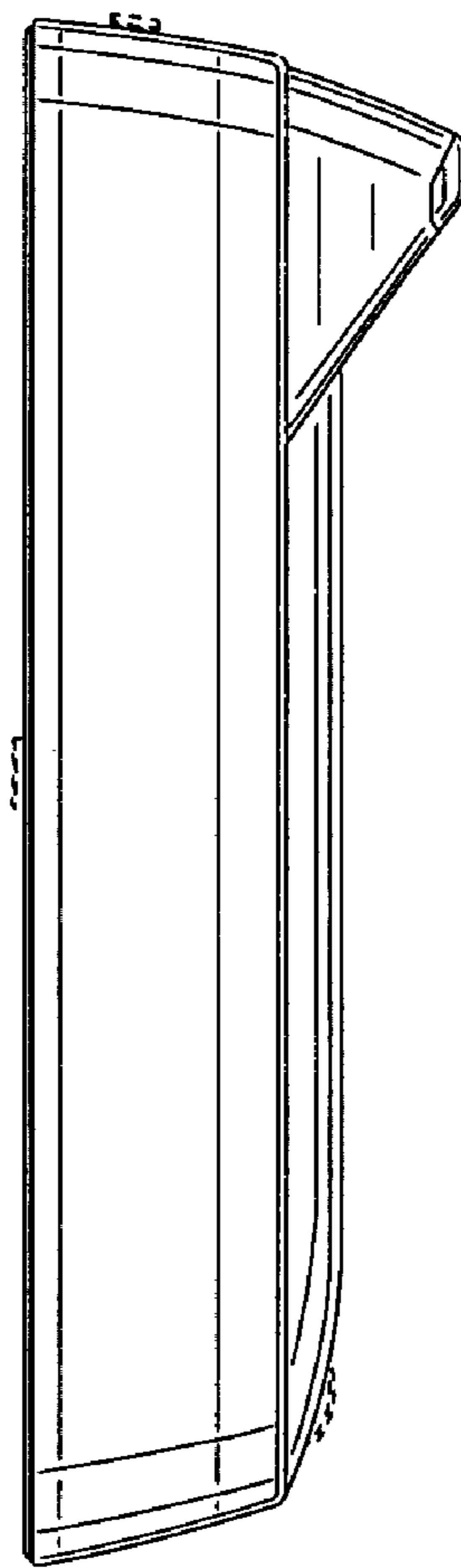


FIG.7

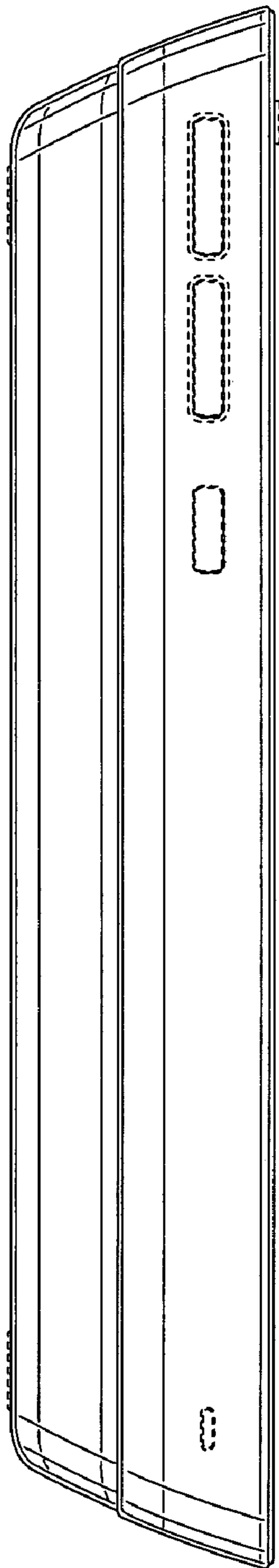


FIG.8

