

US00D635554S

(12) **United States Design Patent**
Lee

(10) **Patent No.:** **US D635,554 S**

(45) **Date of Patent:** **** Apr. 5, 2011**

(54) **SPEAKER WITH EXTENDABLE TOP**

(75) Inventor: **Ryan Tze-Yen Lee**, Singapore (SG)

(73) Assignee: **XMI Pte Ltd.**, Singapore (SG)

(**) Term: **14 Years**

(21) Appl. No.: **29/350,069**

(22) Filed: **Nov. 10, 2009**

(30) **Foreign Application Priority Data**

Aug. 5, 2009 (SG) D2009/696/E

(51) **LOC (9) Cl.** **14-01**

(52) **U.S. Cl.** **D14/216**

(58) **Field of Classification Search** D14/204,
D14/210-216, 172; 181/143-144, 147-148,
181/150-153, 157, 198-199; 381/300-303,
381/306, 332-333, 336, 345, 361-364, 386-388
See application file for complete search history.

(56) **References Cited**

U.S. PATENT DOCUMENTS

D315,562 S * 3/1991 Brown D14/213
D342,738 S * 12/1993 Hwang D14/213

5,319,164 A * 6/1994 Shen 181/150
D467,238 S * 12/2002 Hlas et al. D14/216
D484,492 S * 12/2003 Welker et al. D14/216

* cited by examiner

Primary Examiner — Nanda Bondade

(74) *Attorney, Agent, or Firm* — Blank Rome LLP

(57) **CLAIM**

The ornamental design for a speaker with extendable top, as shown and described.

DESCRIPTION

FIG. 1 is a front elevational view of a speaker with extendable top, showing my new design, when the top is not extended; FIG. 2 is a front elevational view thereof, when the top is extended;

FIG. 3 is a rear elevational view of FIG. 1;

FIG. 4 is a rear elevational view of FIG. 2;

FIG. 5 is a left side elevational view of FIG. 1;

FIG. 6 is a left side elevational view of FIG. 2;

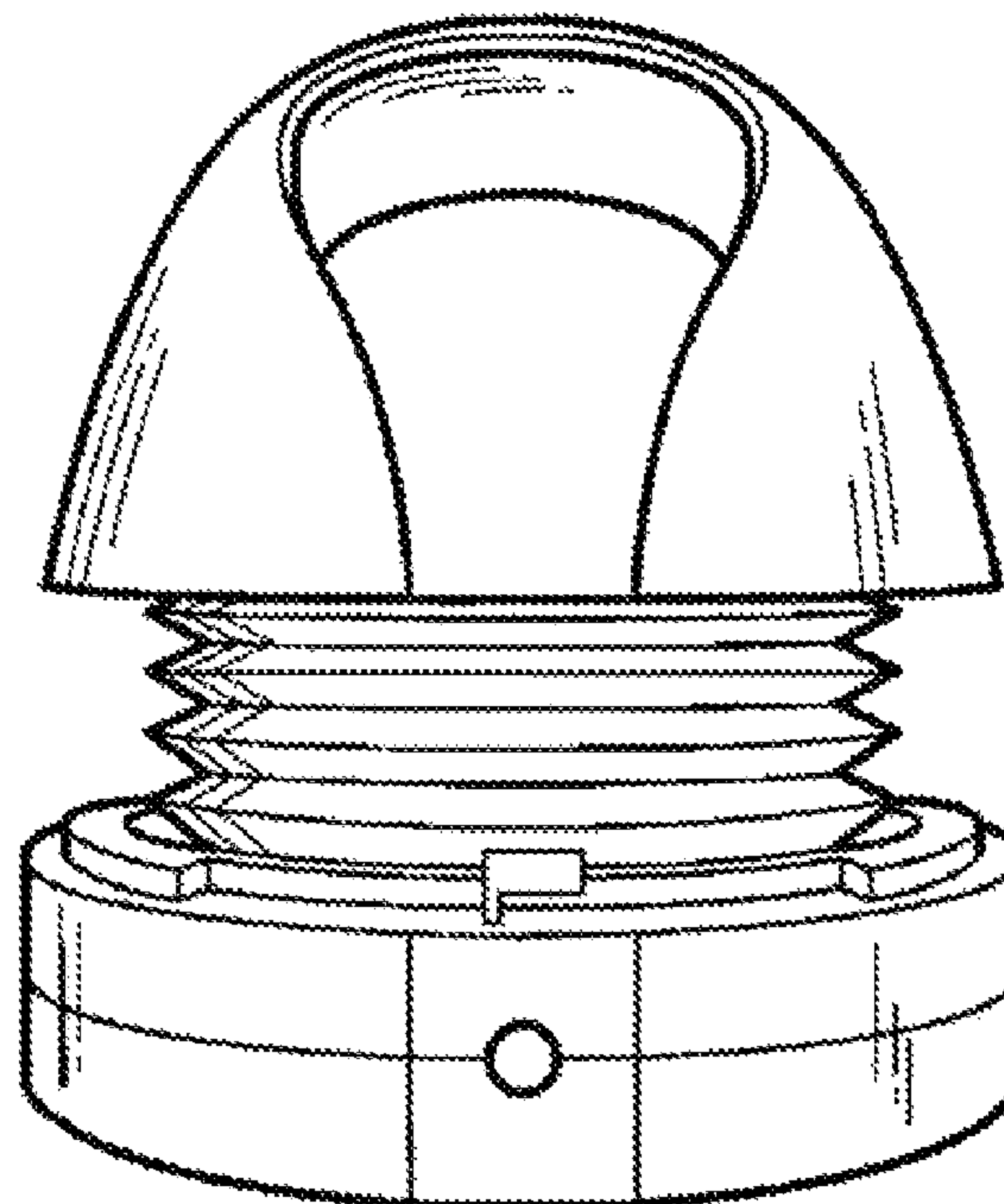
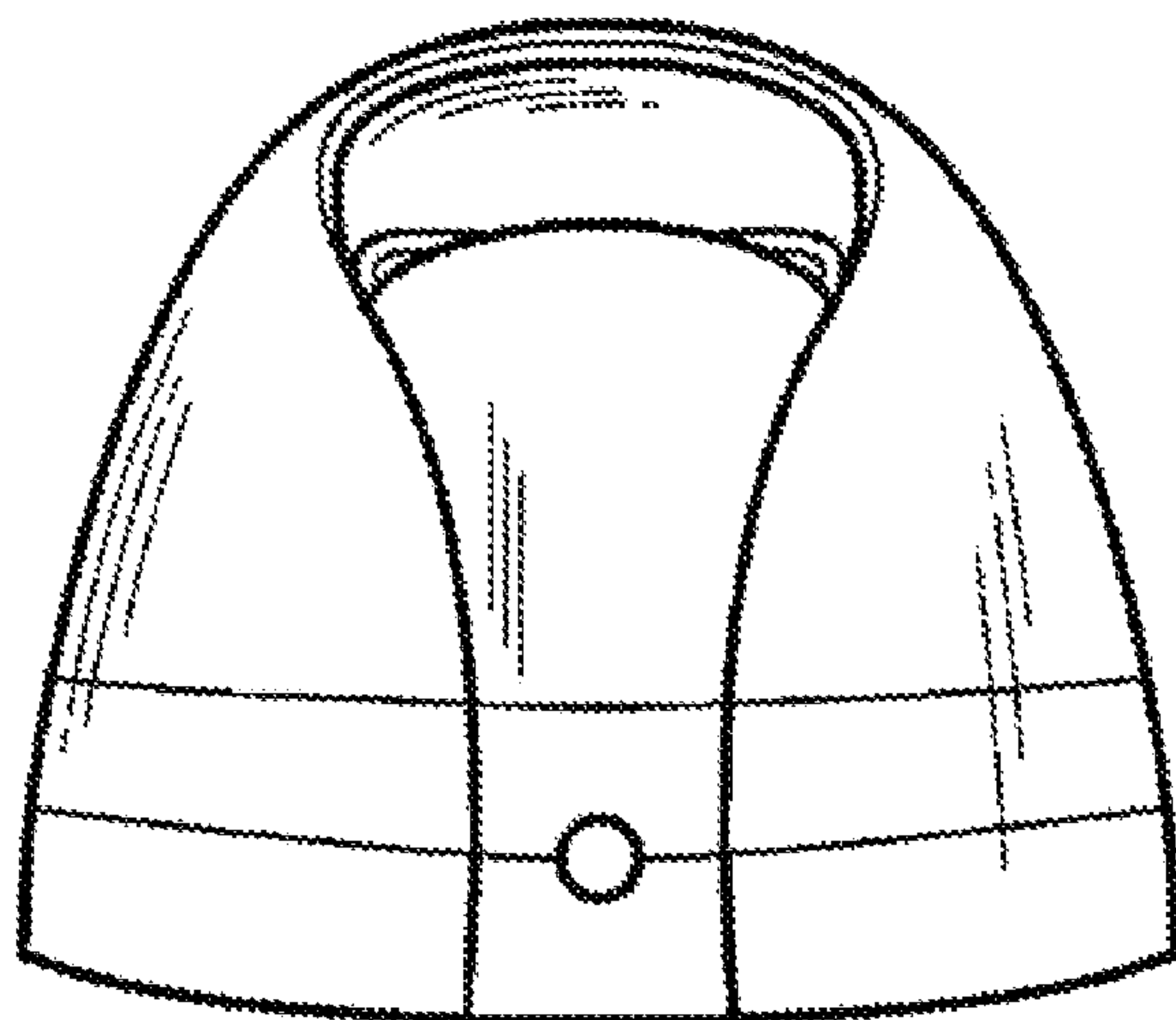
FIG. 7 is a right side elevational view of FIG. 1;

FIG. 8 is a right side elevational view of FIG. 2;

FIG. 9 is a top plan view of FIG. 1 and FIG. 2; and,

FIG. 10 is a bottom plan view of FIG. 1 and FIG. 2.

1 Claim, 5 Drawing Sheets



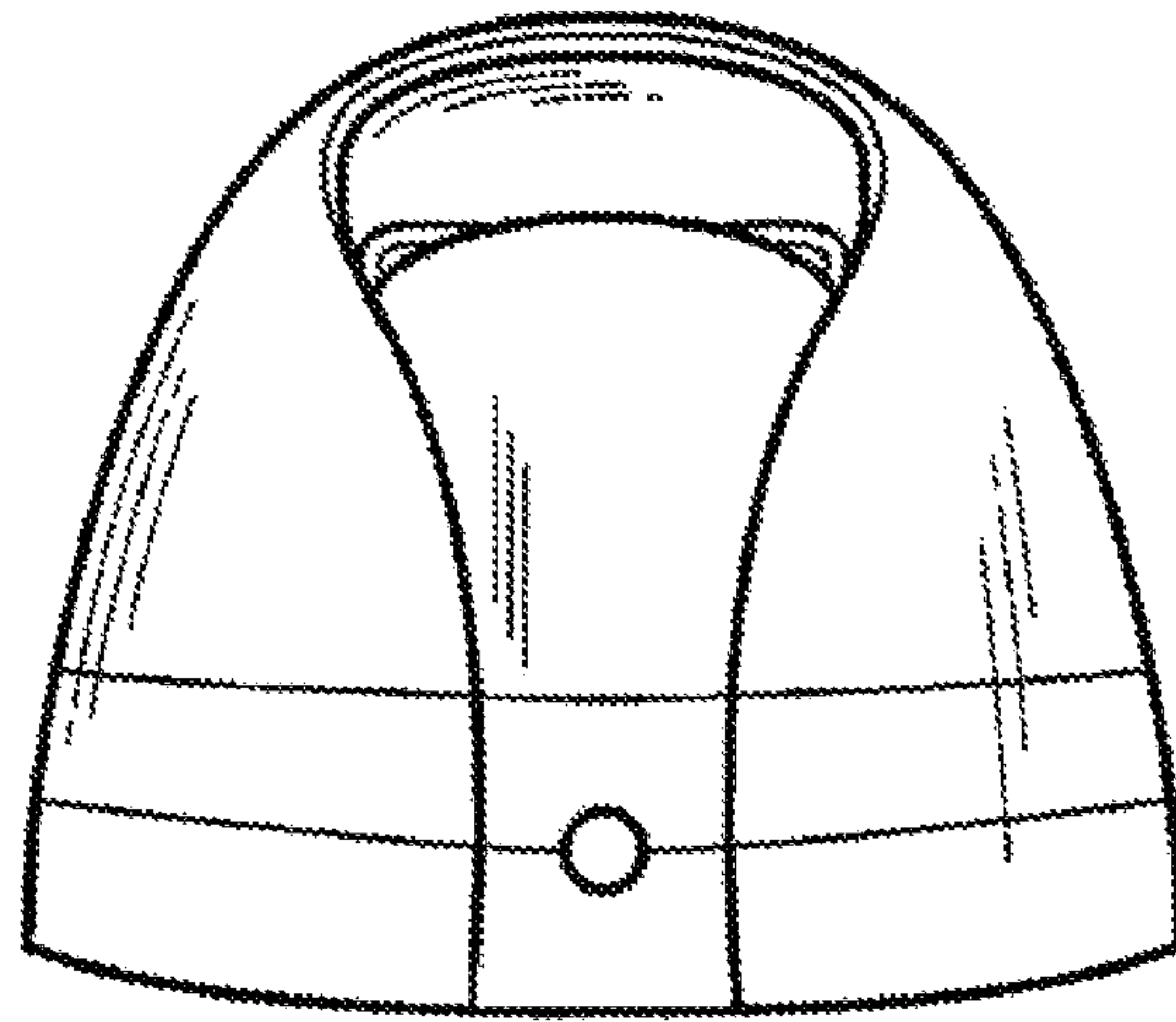


Fig. 1

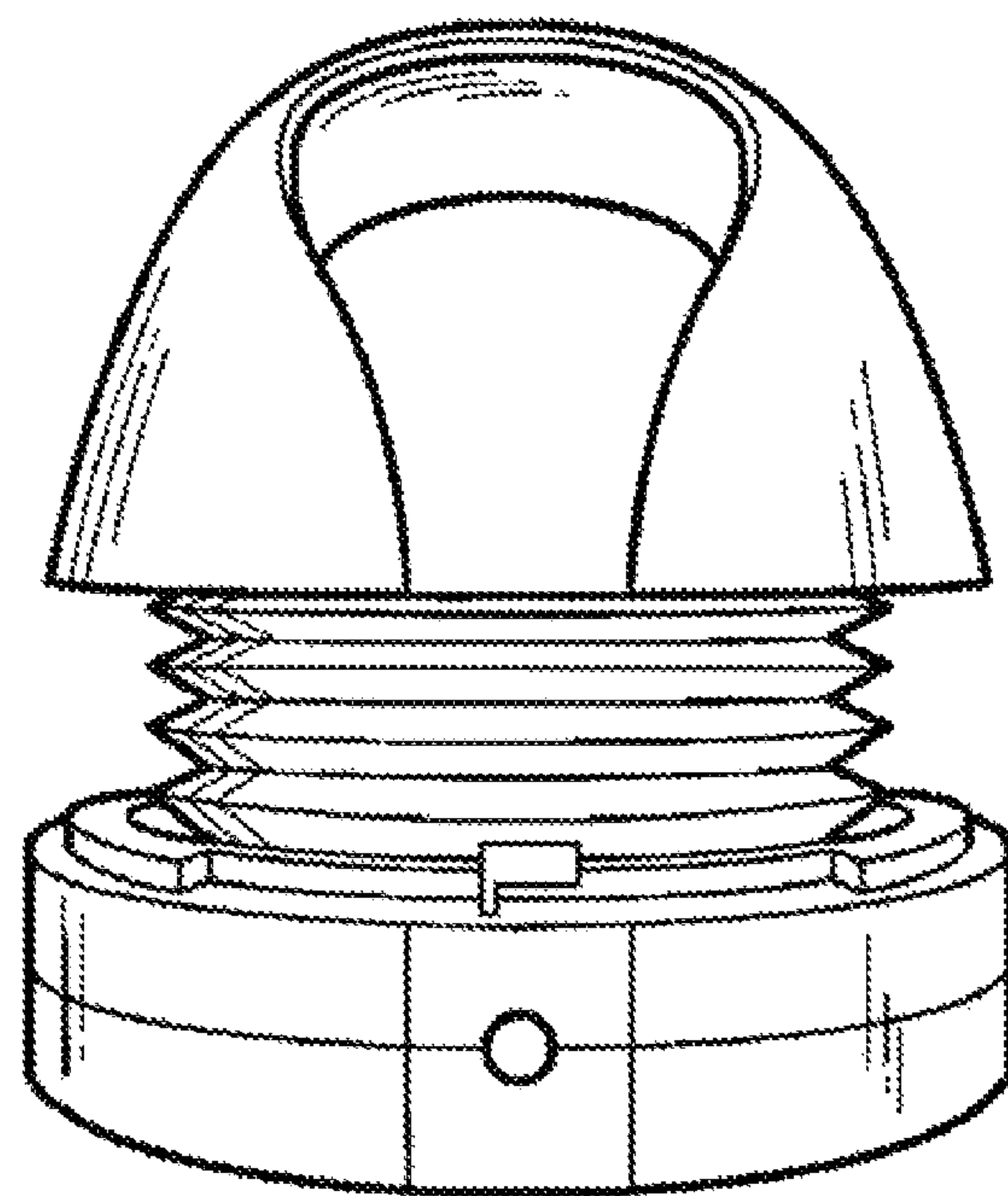


Fig. 2

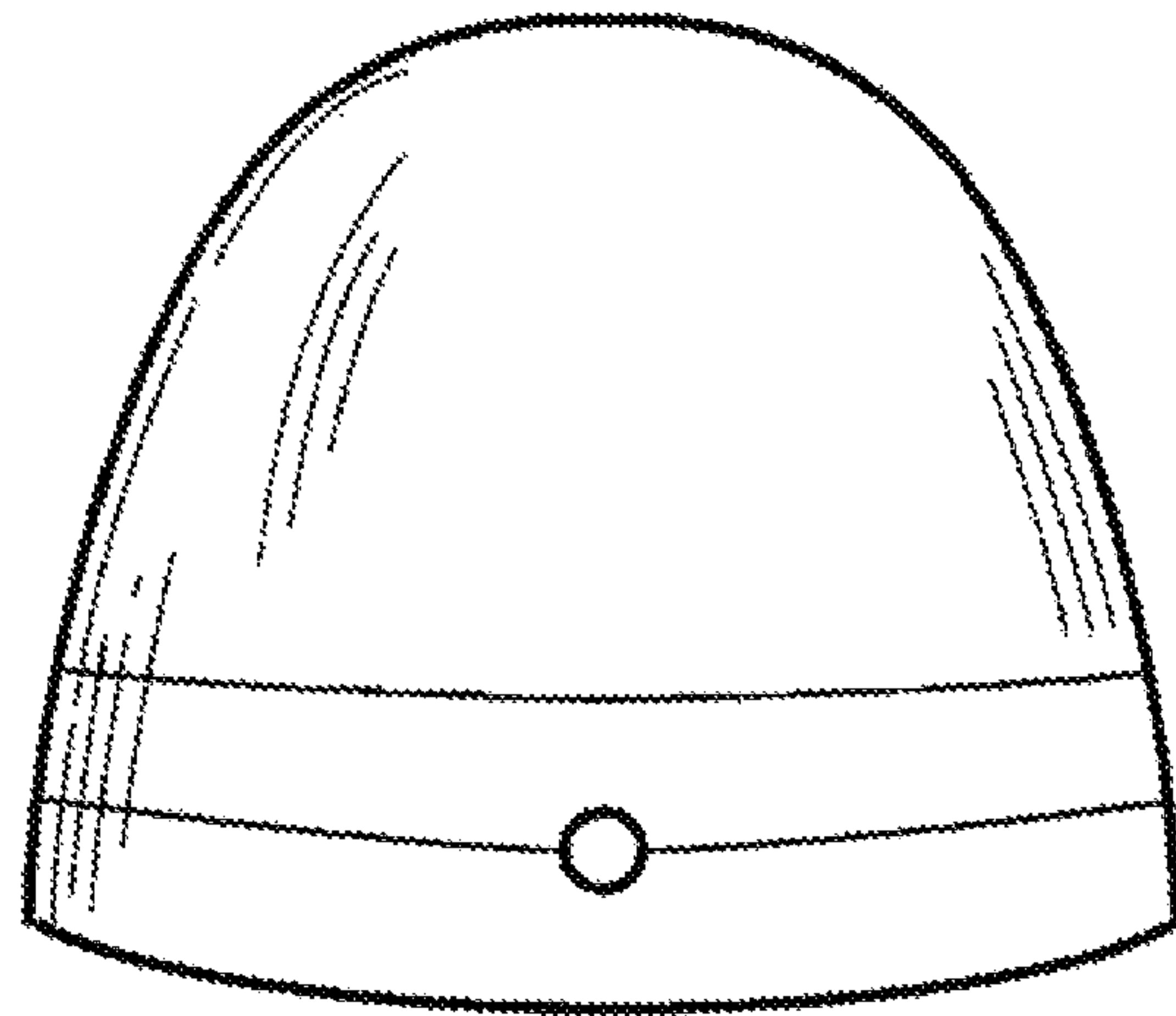


Fig. 3

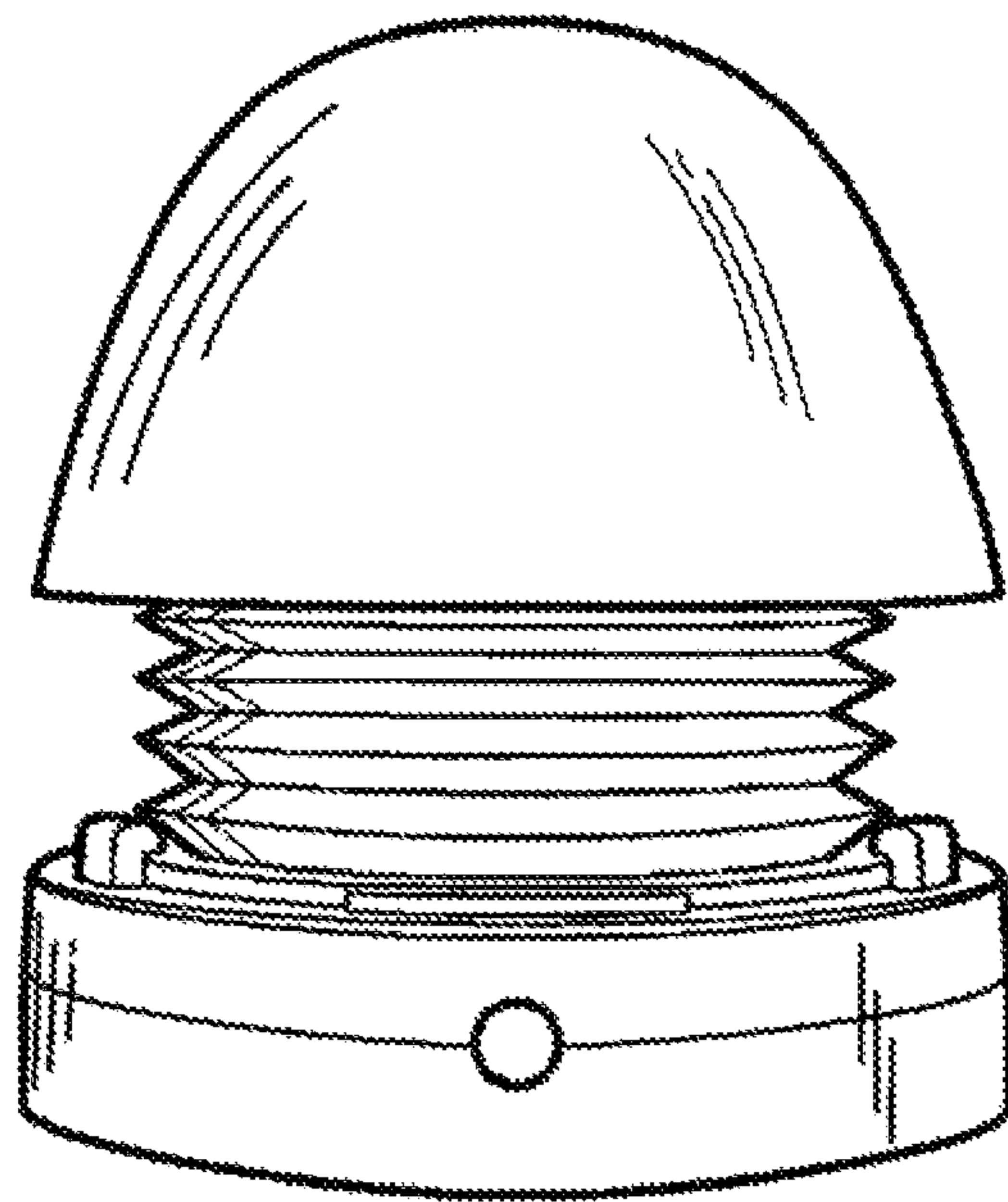


Fig. 4

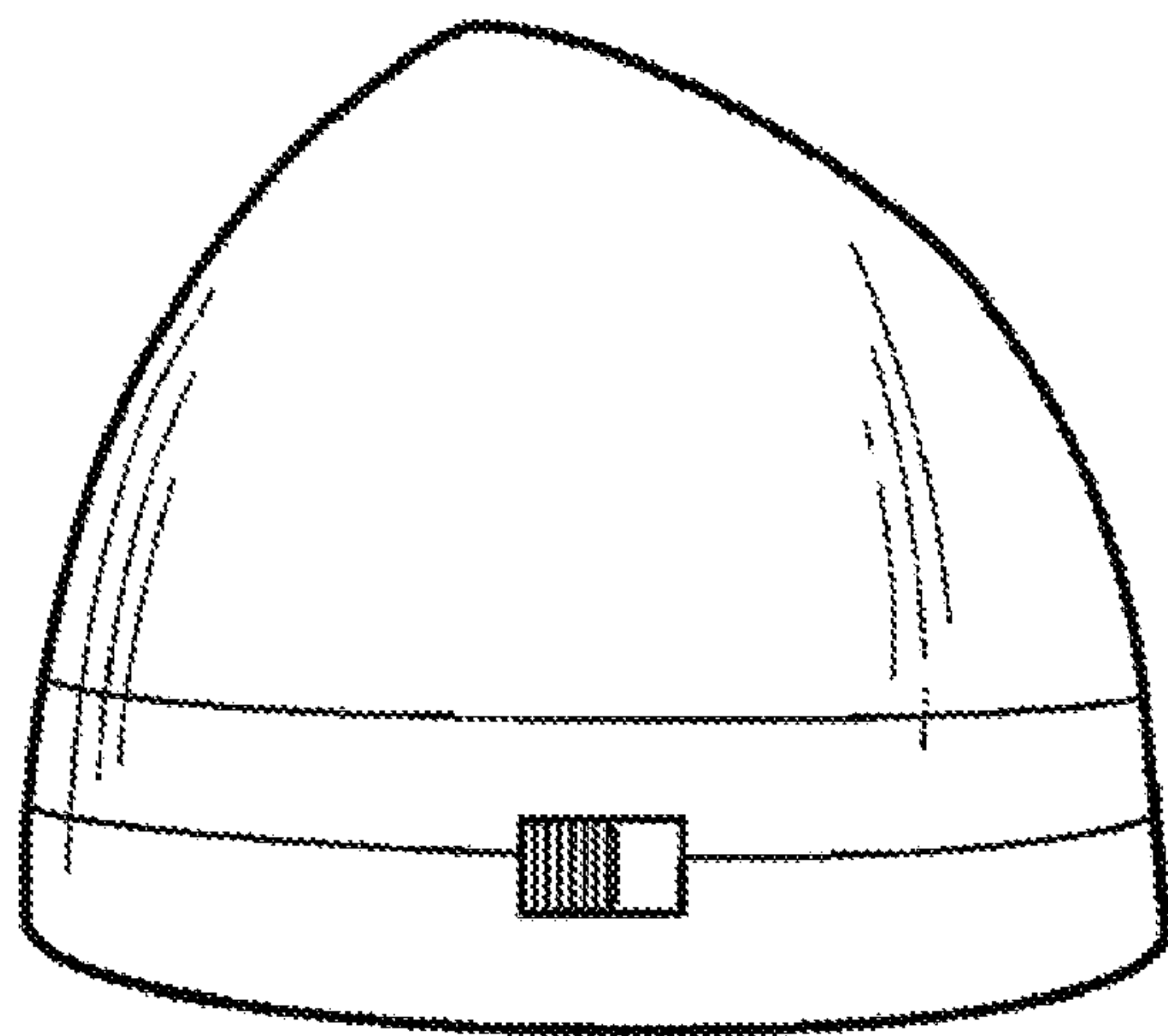


Fig. 5

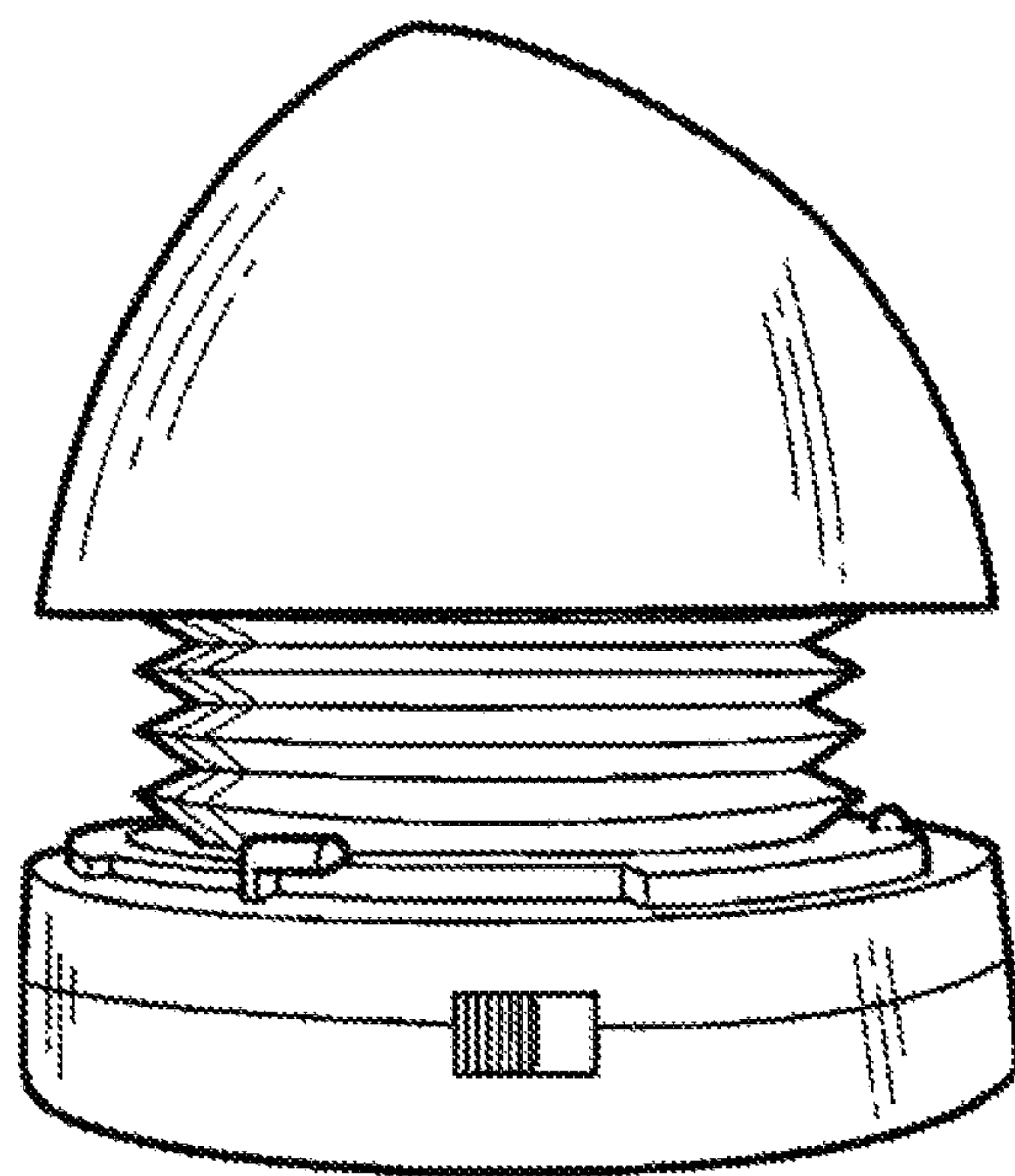


Fig. 6

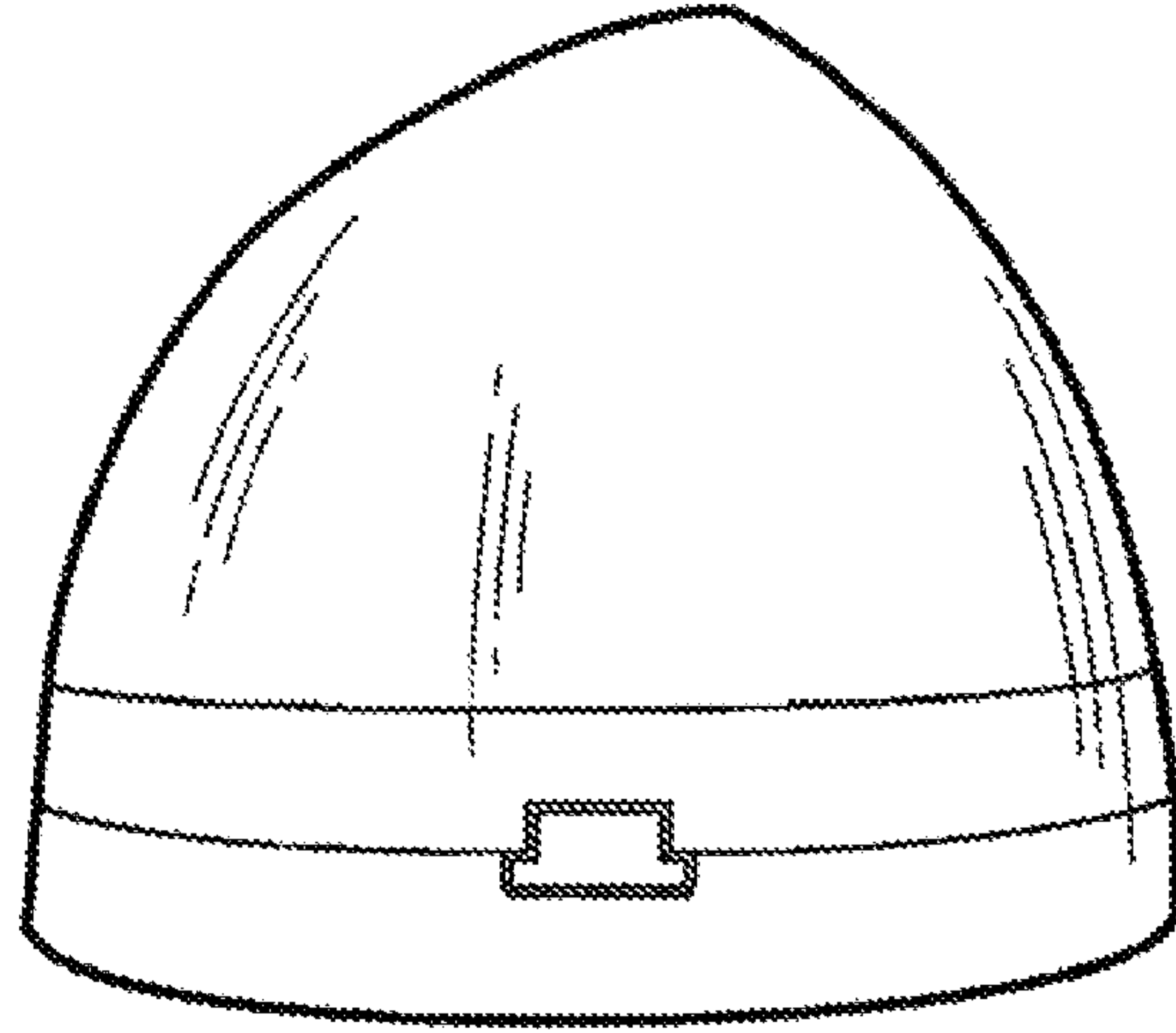


Fig. 7

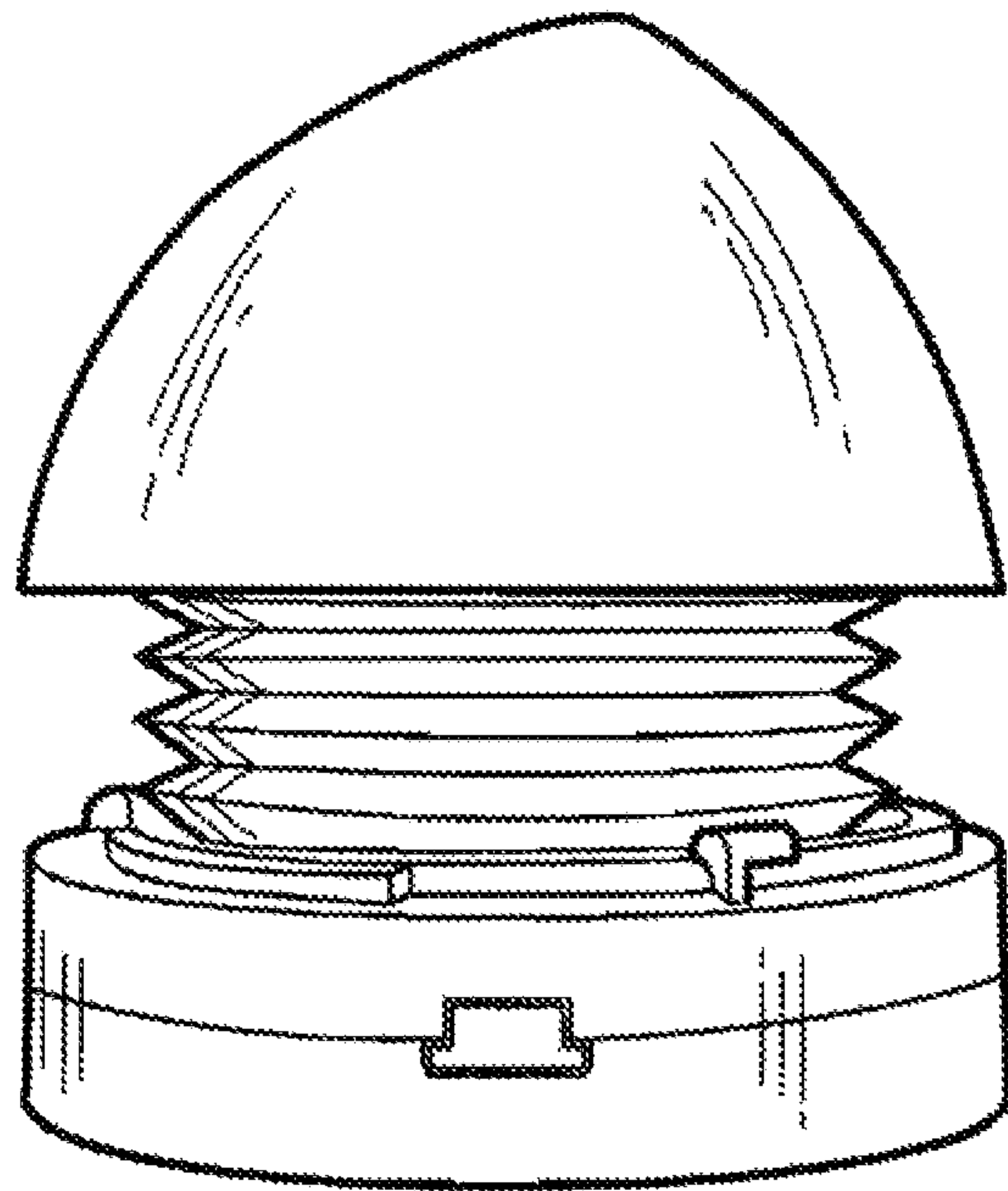


Fig. 8

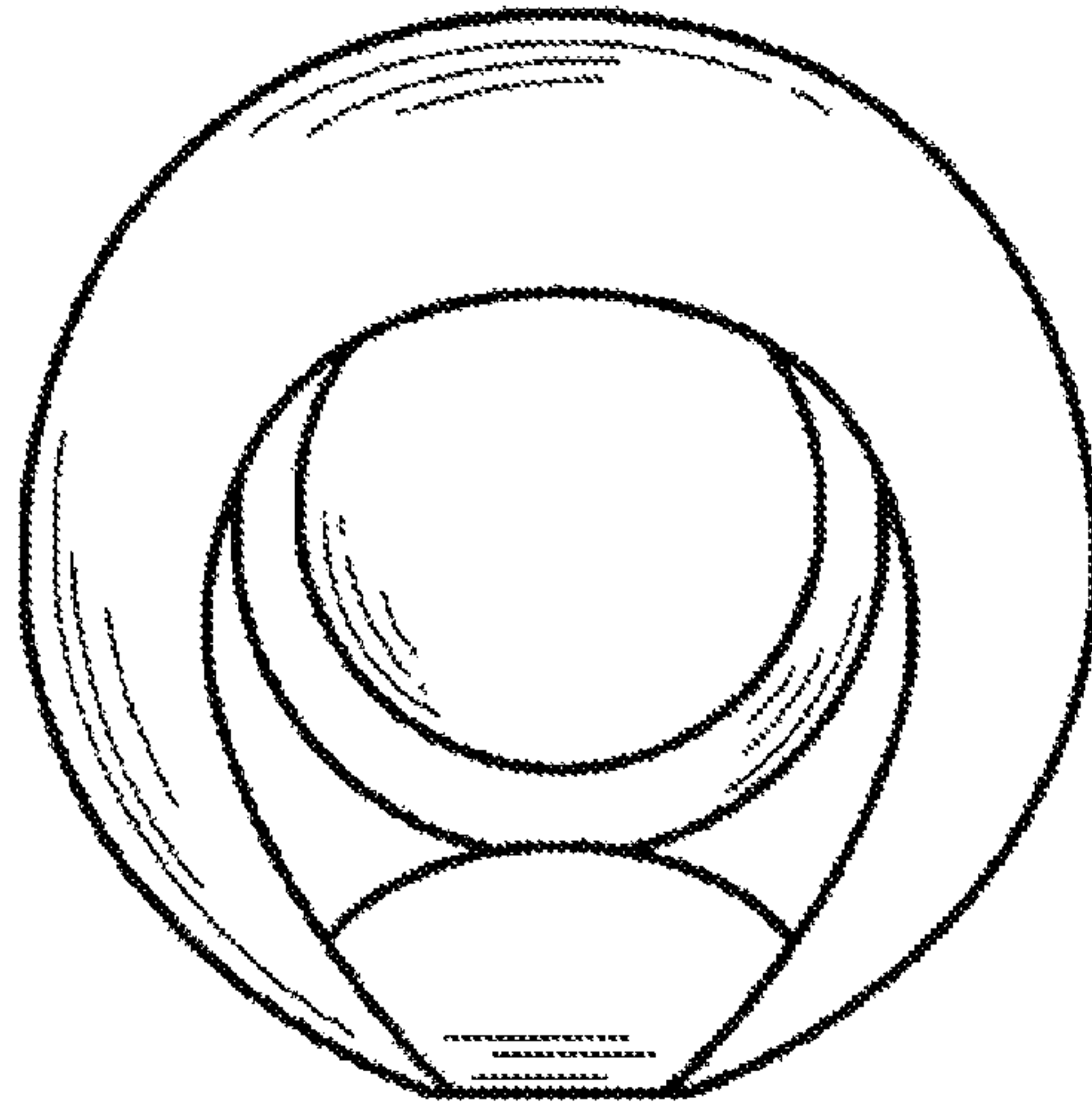


Fig. 9

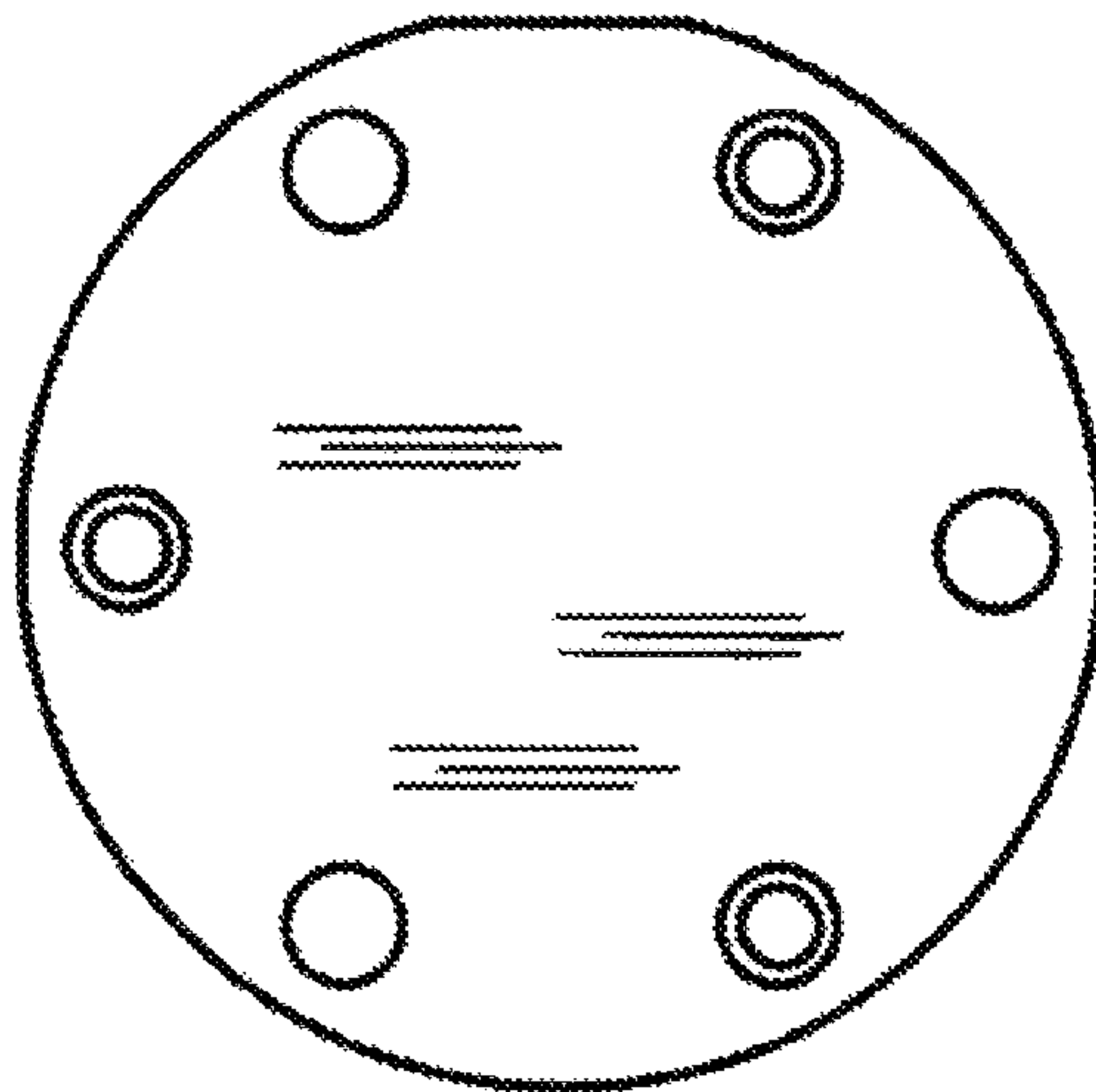


Fig. 10