



US00D63552S

(12) **United States Design Patent**
Yokoyama

(10) **Patent No.:** **US D635,552 S**
(45) **Date of Patent:** **** Apr. 5, 2011**

(54) **SPEAKER BOX**

(75) Inventor: **Hiroaki Yokoyama**, Tokyo (JP)

(73) Assignee: **Sony Corporation**, Tokyo (JP)

(**) Term: **14 Years**

(21) Appl. No.: **29/347,570**

(22) Filed: **Mar. 5, 2010**

(30) **Foreign Application Priority Data**

Dec. 29, 2009 (JP) D2009-030710

(51) **LOC (9) Cl.** **14-01**

(52) **U.S. Cl.** **D14/216**

(58) **Field of Classification Search** D14/204,
D14/209.1, 210-216, 172; 181/143-144,
181/147-148, 150-153, 157, 198-199;
381/300-303, 306, 332-333, 336, 345, 361-364,
381/386-388

See application file for complete search history.

(56) **References Cited**

U.S. PATENT DOCUMENTS

D247,490 S * 3/1978 Everidge D14/212
D467,572 S 12/2002 Narita
D470,474 S 2/2003 Kobayashi
D471,891 S 3/2003 Oikawa

D475,991 S 6/2003 Hisatsune
D476,310 S 6/2003 Hisatsune
D476,311 S 6/2003 Hisatsune
D491,166 S 6/2004 Hakoda
D492,281 S 6/2004 Hakoda
D494,958 S * 8/2004 Solland D14/215
D555,147 S * 11/2007 Solland D14/211
D563,391 S * 3/2008 Skurdal D14/216
D568,292 S 5/2008 Tsuge
D575,770 S * 8/2008 Lewis D14/216
D587,676 S * 3/2009 Alberdi Alorda D14/188

* cited by examiner

Primary Examiner — Nanda Bondade

(74) *Attorney, Agent, or Firm* — Rader, Fishman & Grauer PLLC

(57) **CLAIM**

The ornamental design for a speaker box, as shown and described.

DESCRIPTION

FIG. 1 is a front, top, right perspective view of a speaker box showing my new design;

FIG. 2 is a rear, top, left perspective view thereof;

FIG. 3 is a front elevational view thereof;

FIG. 4 is a rear elevational view thereof;

FIG. 5 is a left side elevational view thereof; and,

FIG. 6 is a right side elevational view thereof.

Portions in broken lines are for illustrative purpose only and form no part of the claimed design.

1 Claim, 3 Drawing Sheets

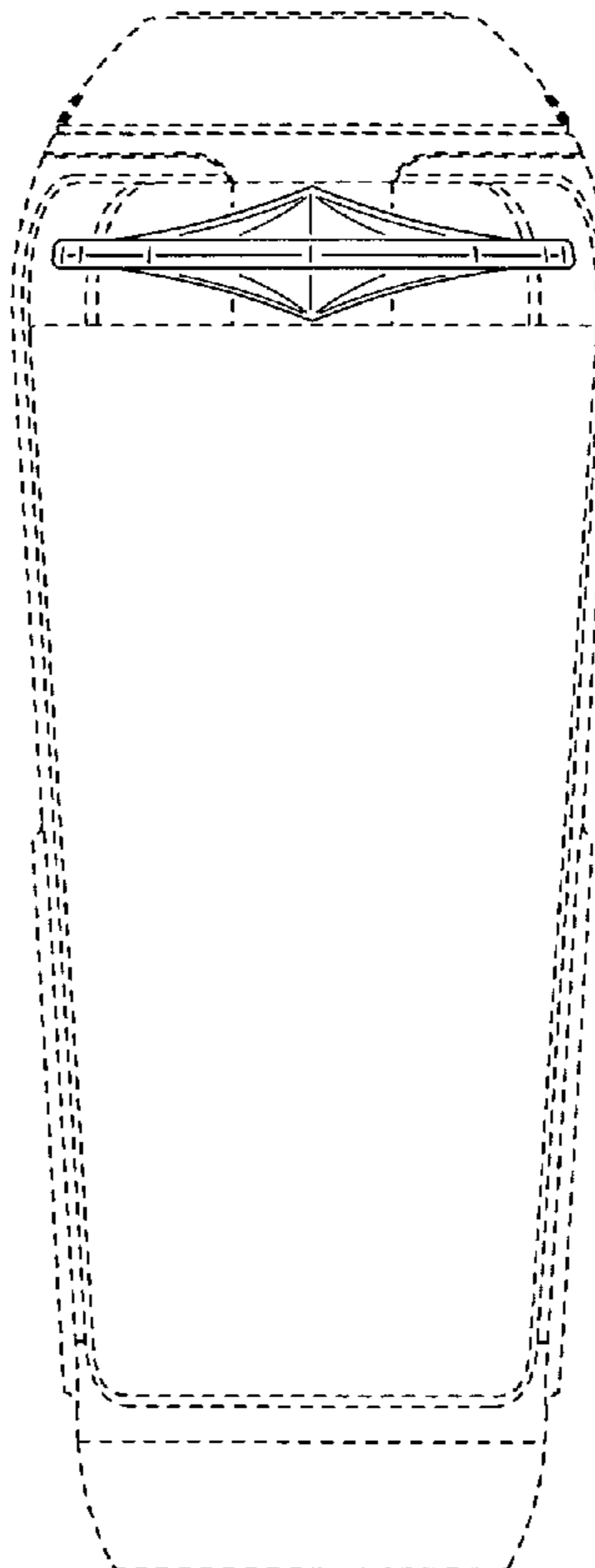
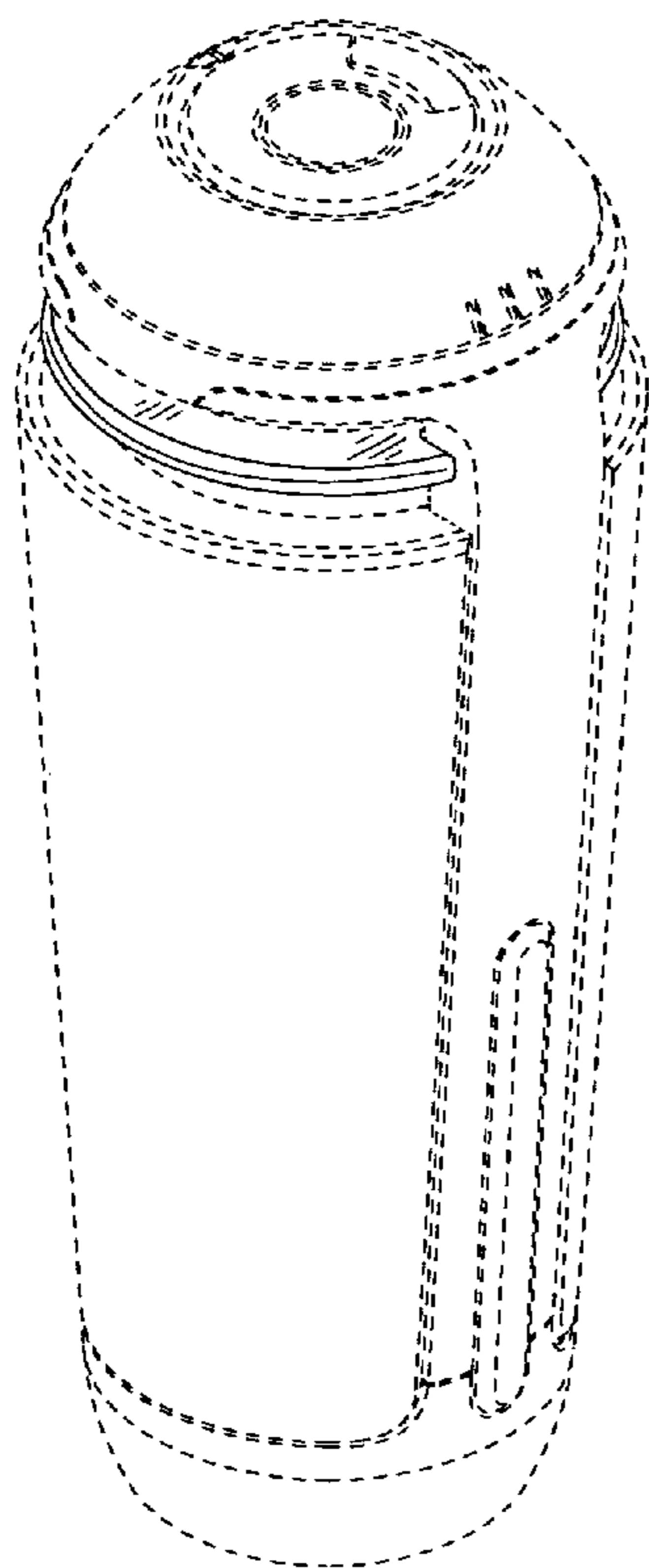


FIG.1

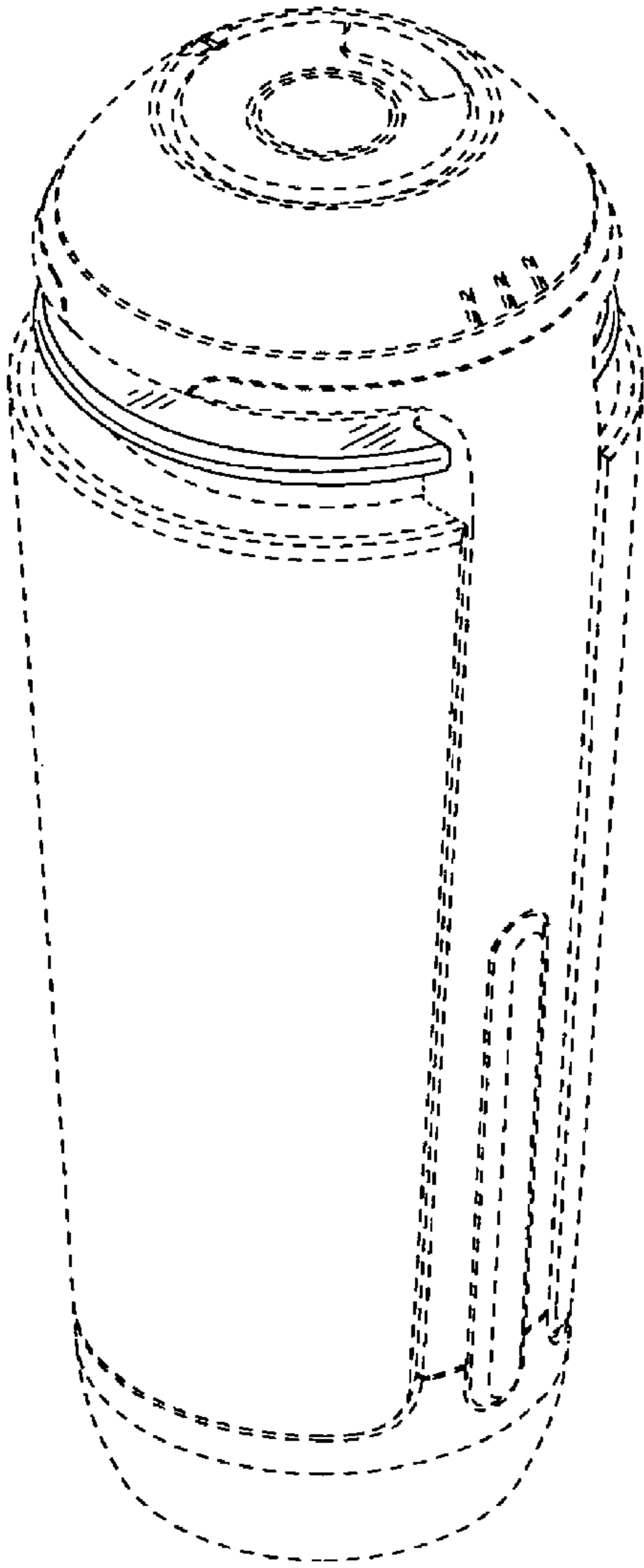


FIG.2

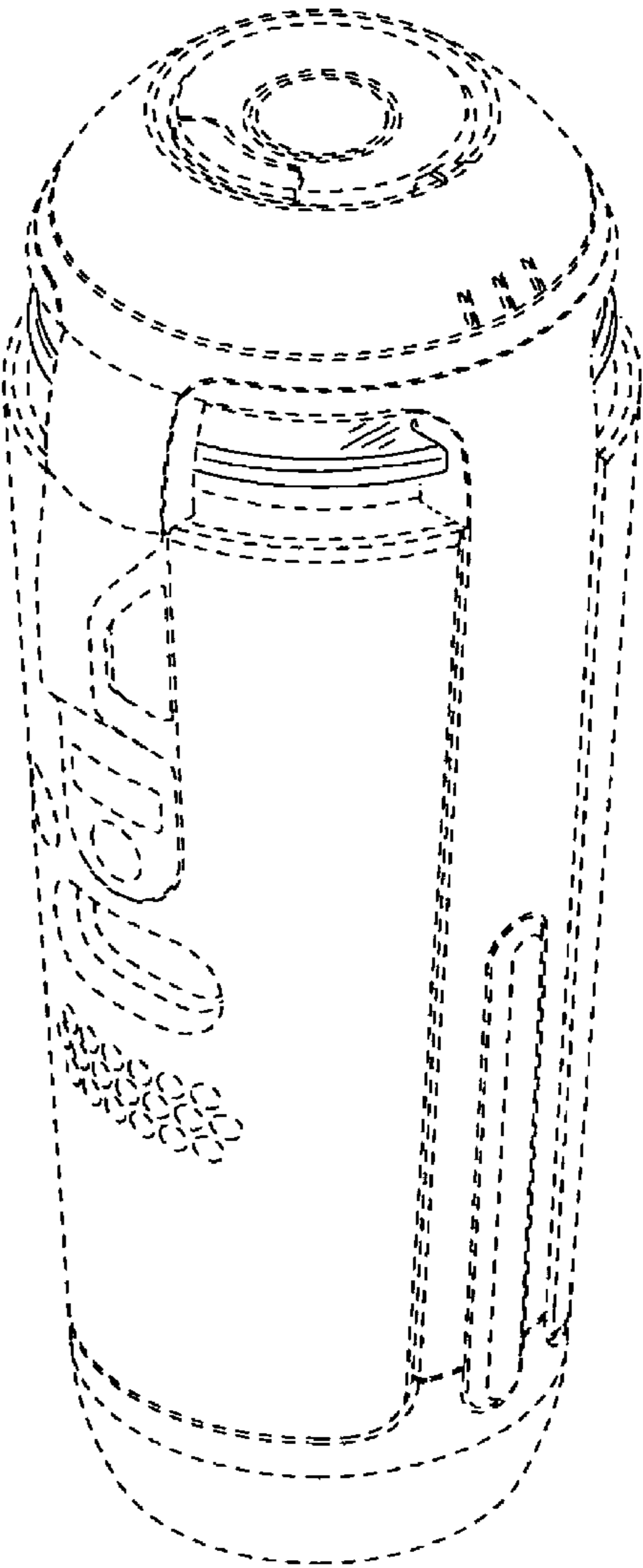


FIG.3

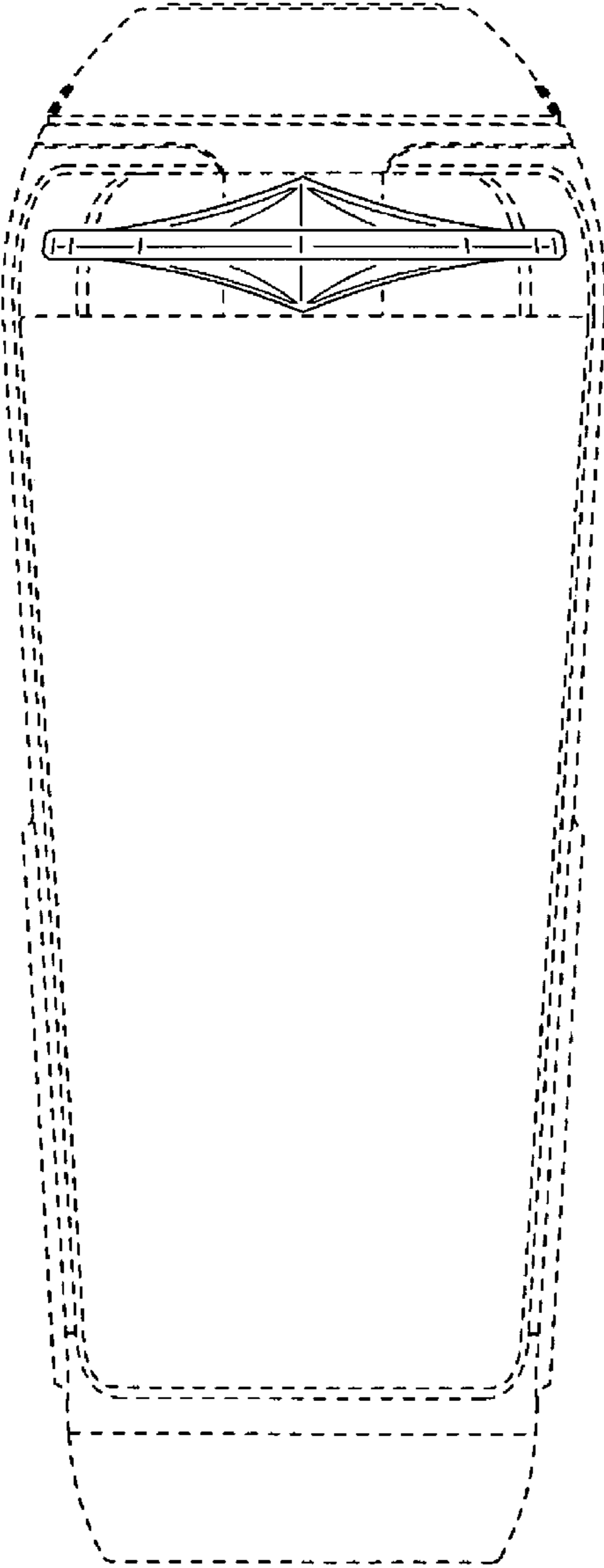


FIG.4

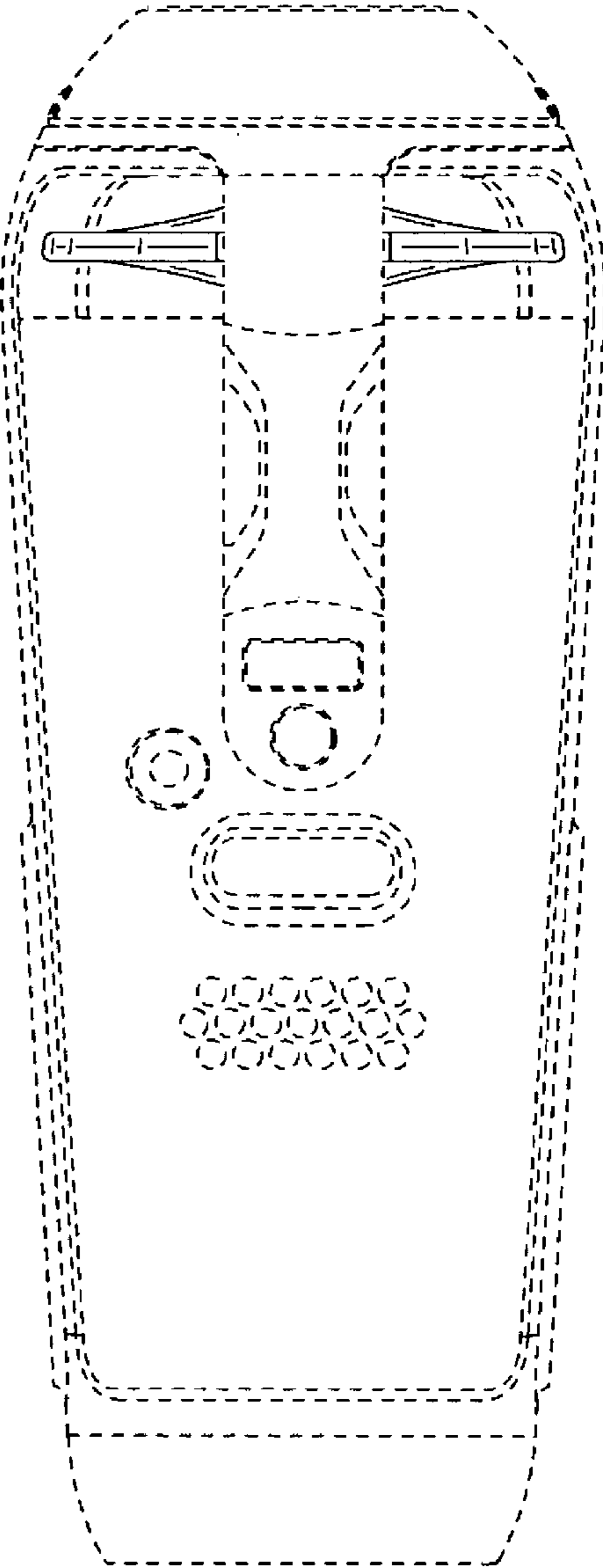


FIG.5

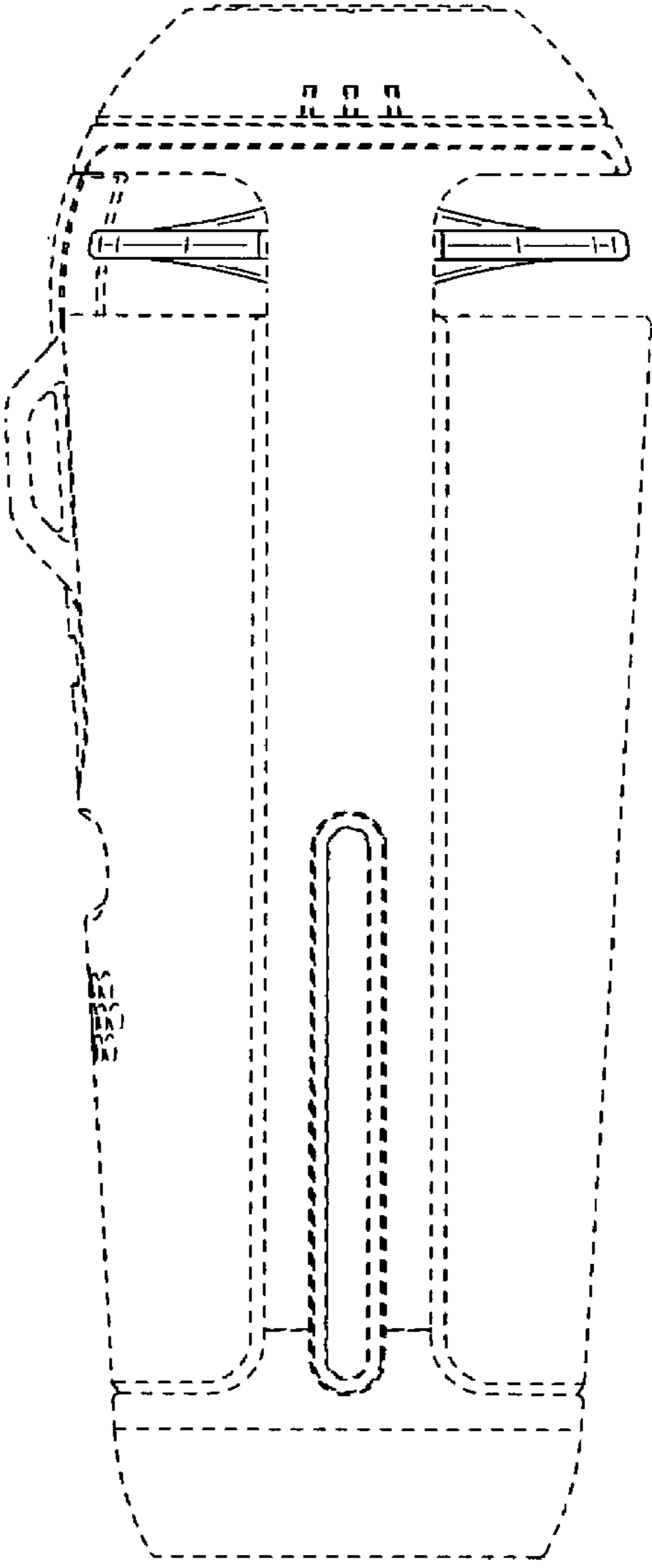


FIG.6

