



US00D635549S

(12) **United States Design Patent**
Chen

(10) **Patent No.:** **US D635,549 S**

(45) **Date of Patent:** **** Apr. 5, 2011**

(54) **PAIR OF SPEAKERS**

(75) Inventor: **Hwang-Miaw Chen**, Taipei Hsien (TW)

(73) Assignee: **Hon Hai Precision Industry Co., Ltd.**,
Tu-Cheng, New Taipei (TW)

(**) Term: **14 Years**

(21) Appl. No.: **29/361,932**

(22) Filed: **May 18, 2010**

(51) **LOC (9) Cl.** **14-01**

(52) **U.S. Cl.** **D14/214**

(58) **Field of Classification Search** D14/204,
D14/210-215, 172; 181/143-144, 147-148,
181/150-153, 157, 198-199; 381/300-303,
381/306, 332-333, 336, 345, 361-364, 386-388
See application file for complete search history.

(56) **References Cited**

U.S. PATENT DOCUMENTS

D485,257 S *	1/2004	Allen	D14/215
D548,726 S *	8/2007	Ng et al.	D14/214
D565,029 S *	3/2008	Ching	D14/214

* cited by examiner

Primary Examiner — Nanda Bondade

(74) *Attorney, Agent, or Firm* — Zhigang Ma

(57) **CLAIM**

The ornamental design for a pair of speakers, as shown and described.

DESCRIPTION

FIG. 1 is a perspective view of one speaker of the pair of speakers showing my new design, shown separately for clarity of illustration;

FIG. 2 is a front elevational view of the one speaker;

FIG. 3 is a rear elevational view of the one speaker;

FIG. 4 is a left side elevational view of the one speaker;

FIG. 5 is a right side elevational view of the one speaker;

FIG. 6 is a top plan view of the one speaker;

FIG. 7 is a bottom plan view of the one speaker;

FIG. 8 is a perspective view of the other speaker of the pair of speakers showing my new design, shown separately for clarity of illustration;

FIG. 9 is a front elevational view of the other speaker;

FIG. 10 is a rear elevational view of the other speaker;

FIG. 11 is a left side elevational view of the other speaker;

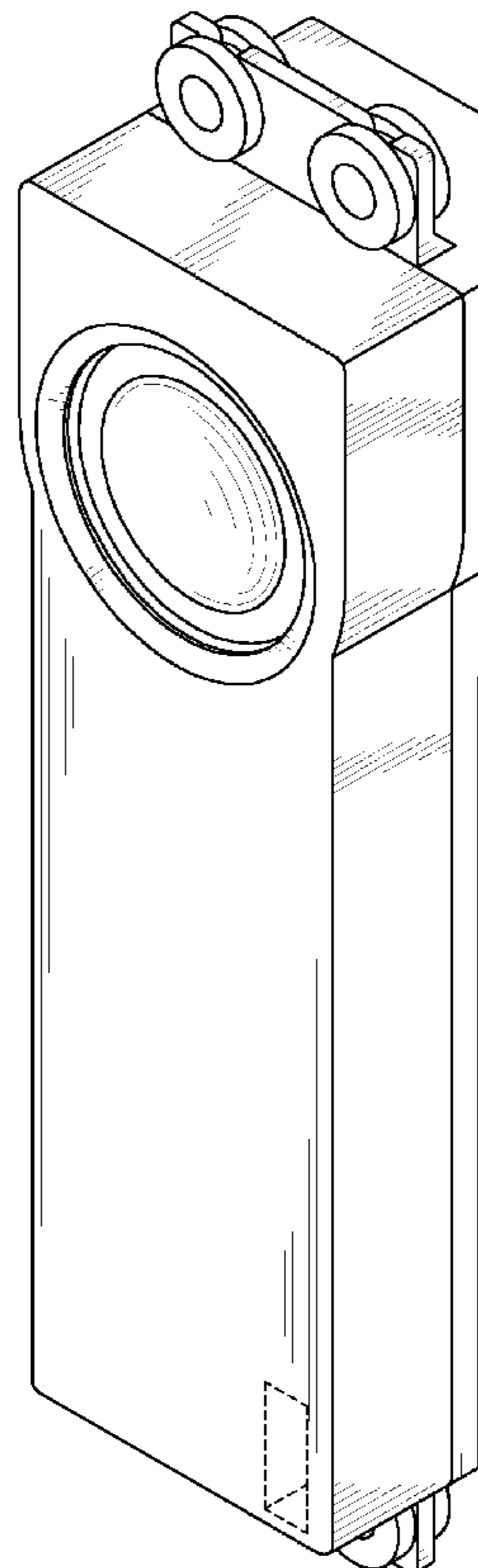
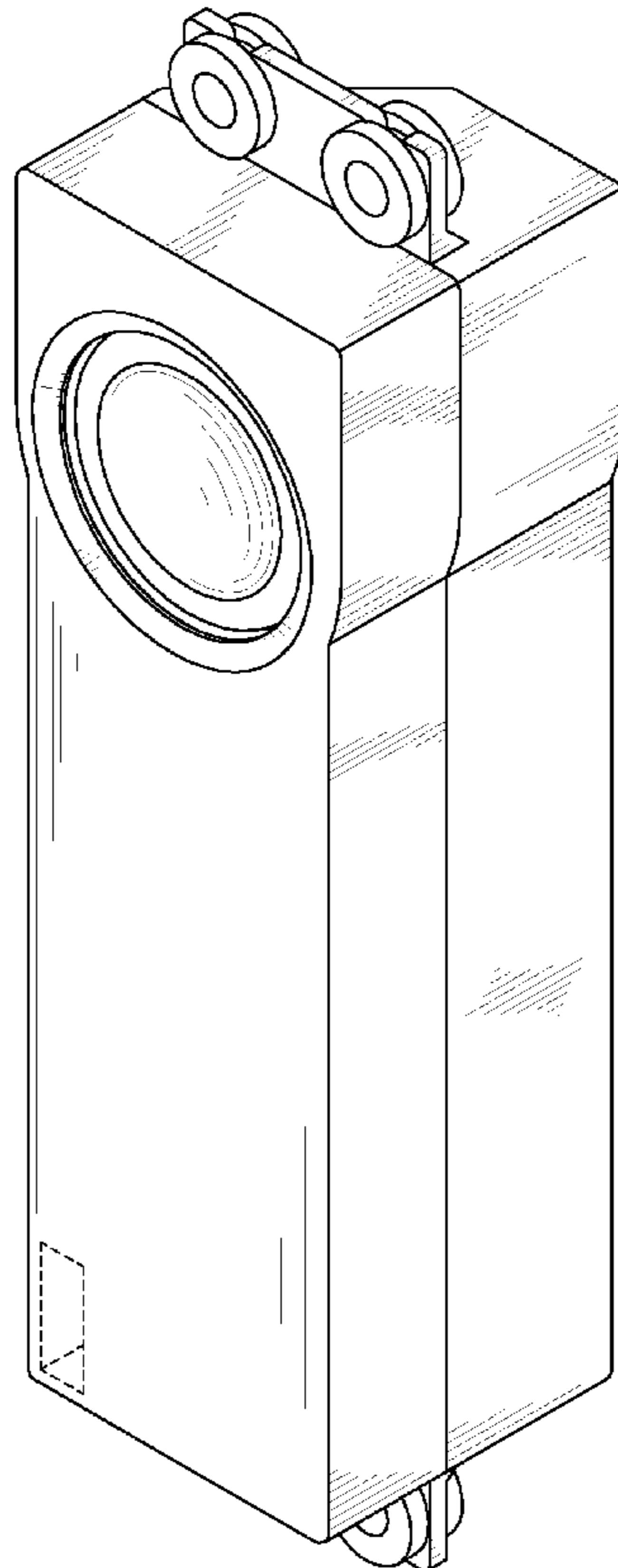
FIG. 12 is a right side elevational view of the other speaker;

FIG. 13 is a top plan view of the other speaker; and,

FIG. 14 is a bottom plan view of the other speaker.

The broken line showing on the drawing disclosure is for illustrative purposes only and forms no part of the claimed design.

1 Claim, 14 Drawing Sheets



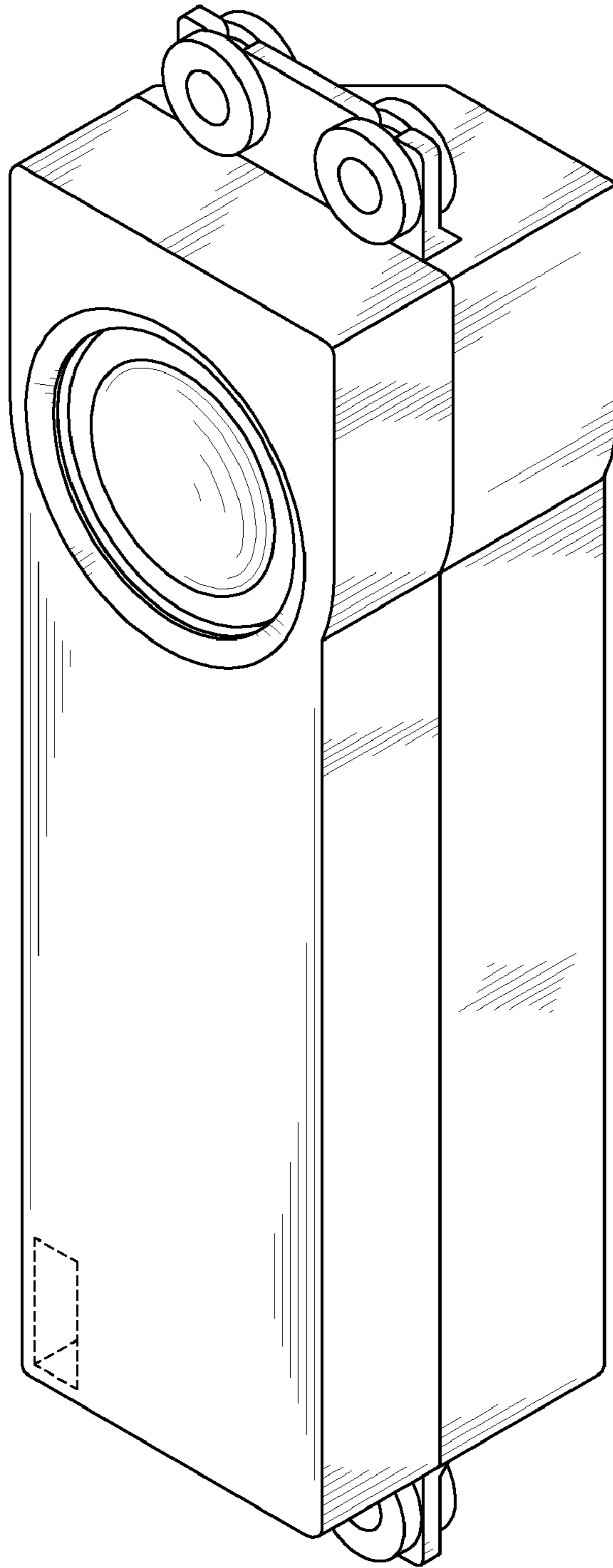


FIG. 1

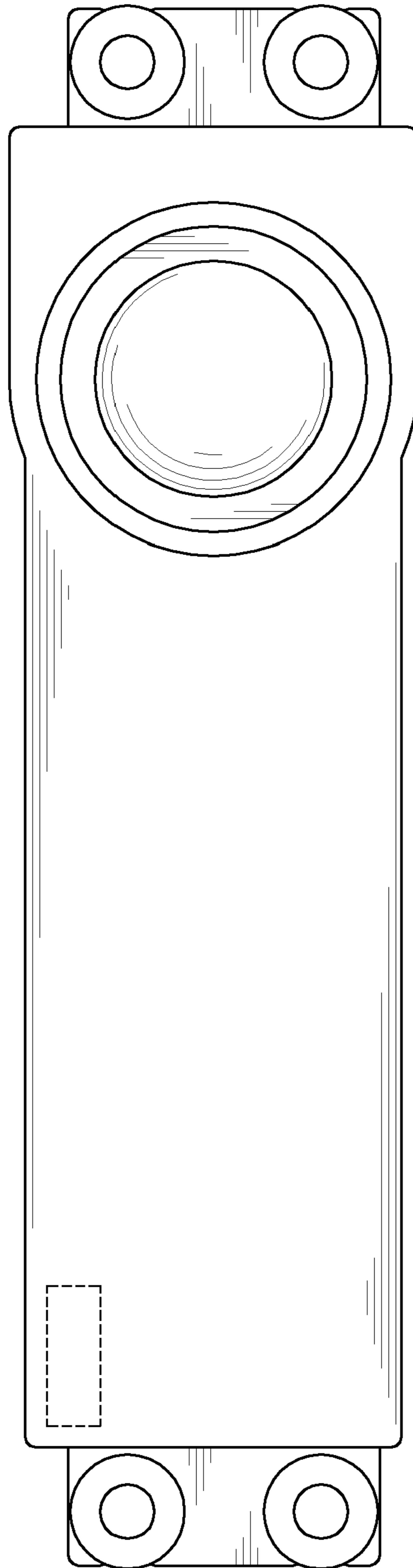


FIG. 2

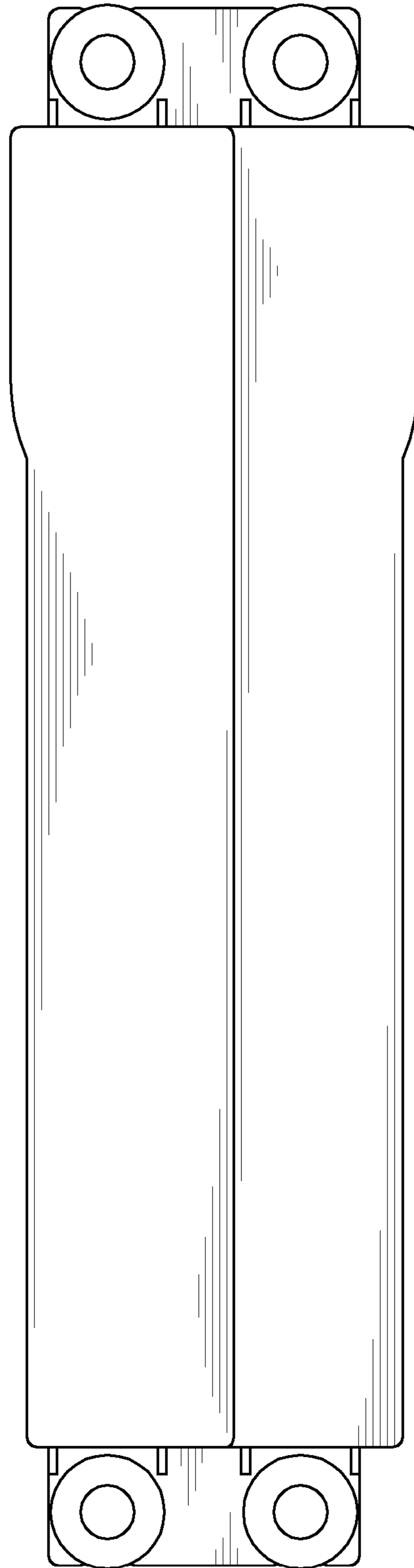


FIG. 3

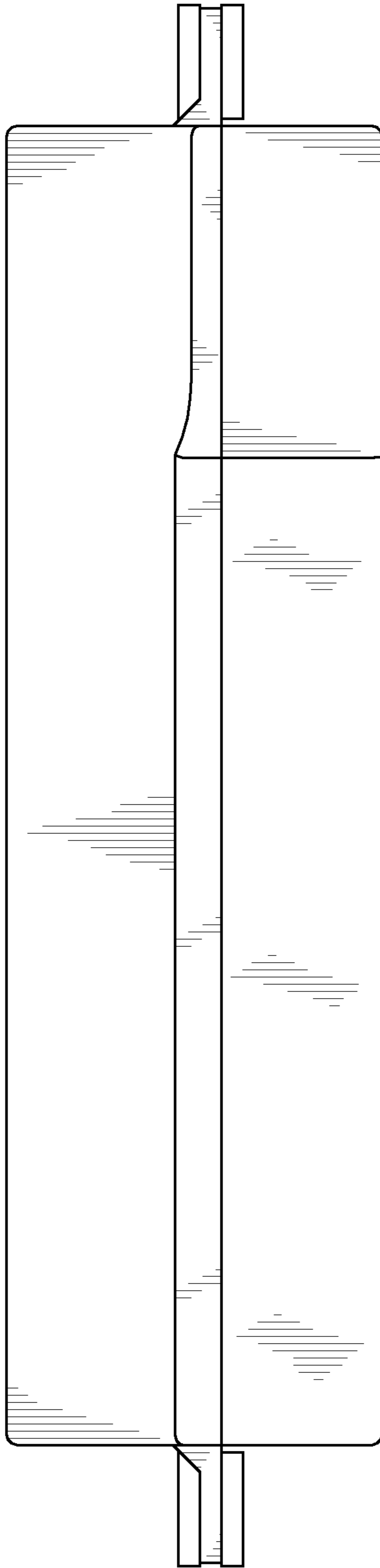


FIG. 4

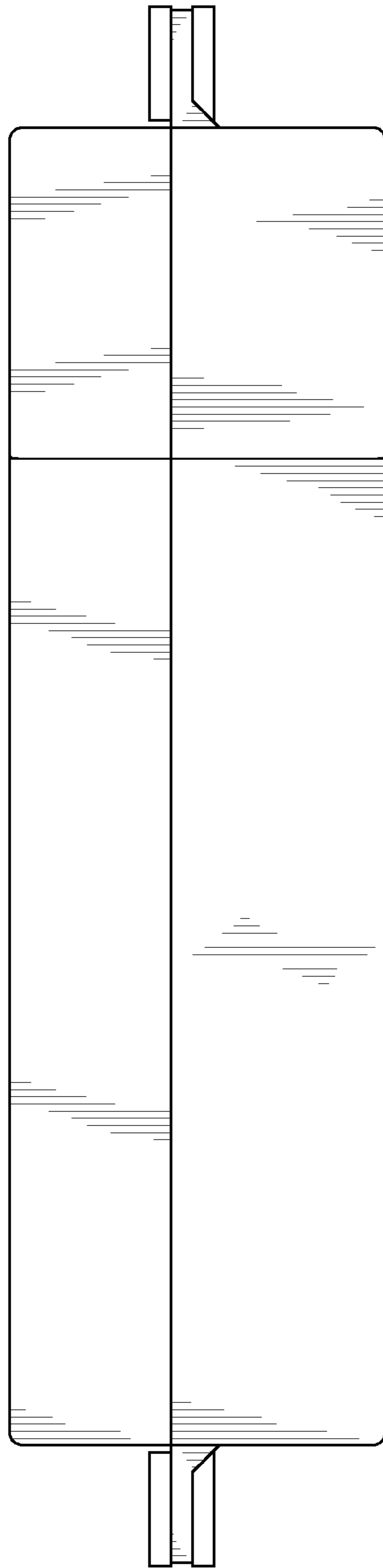


FIG. 5

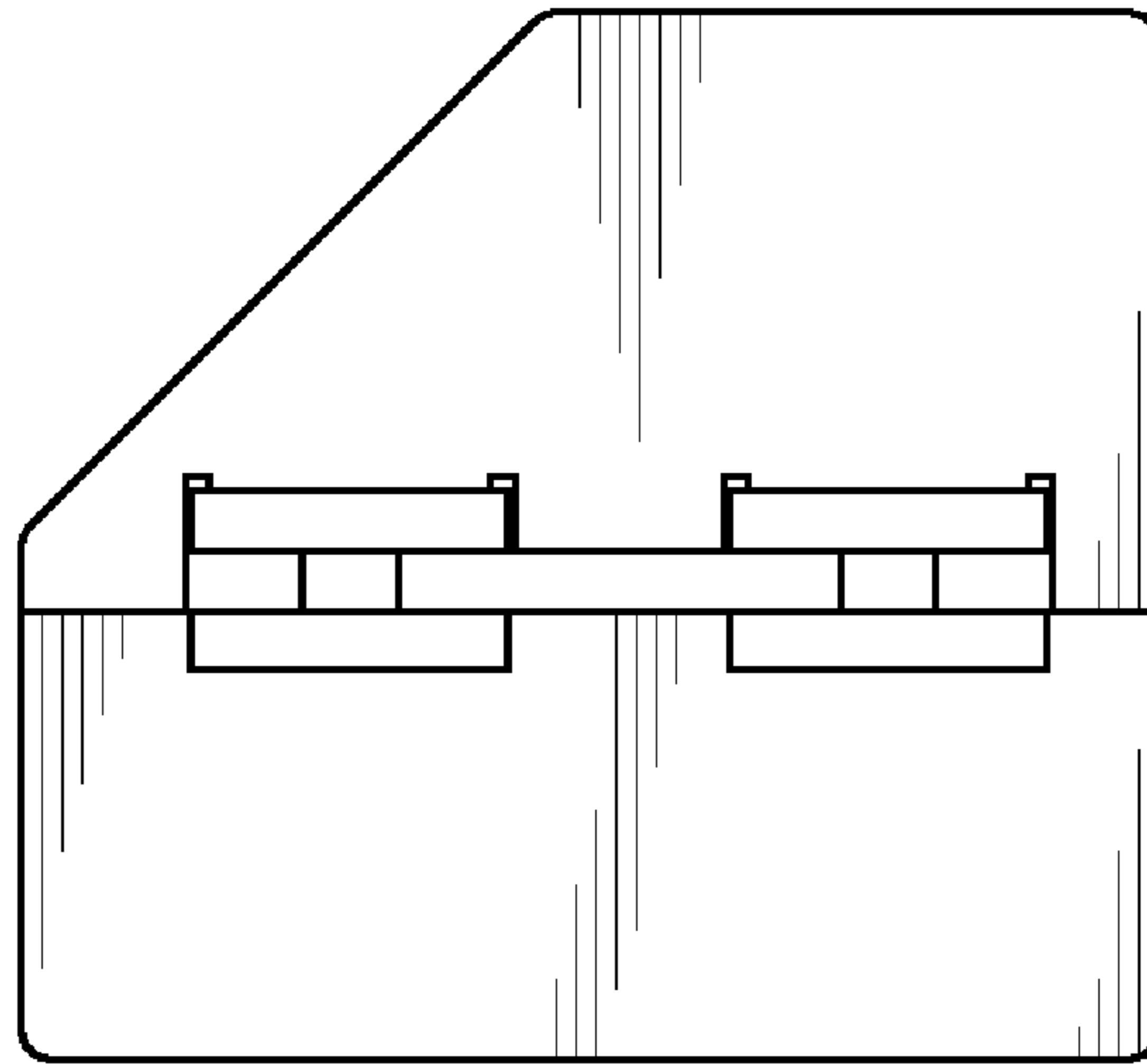


FIG. 6

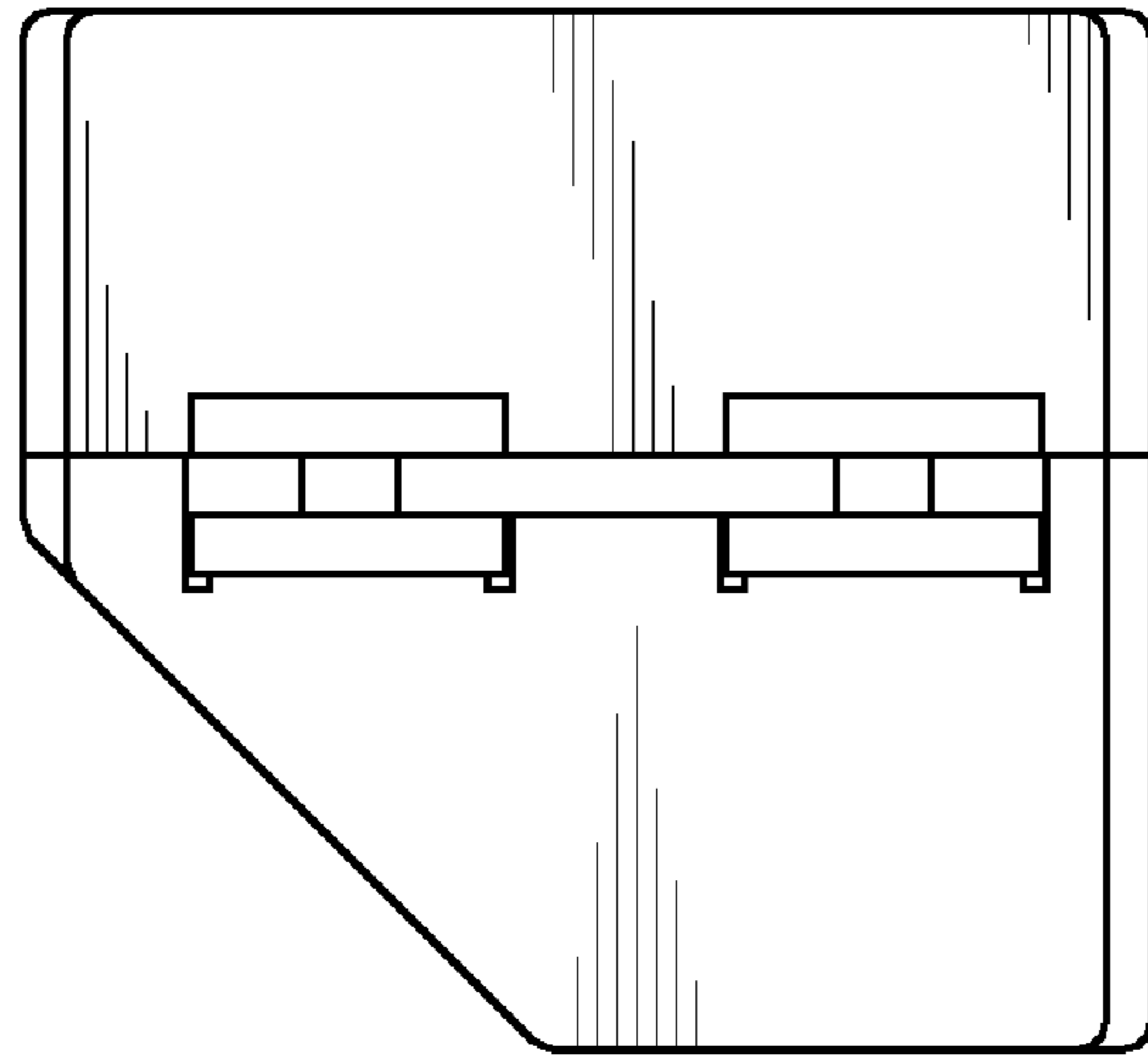


FIG. 7

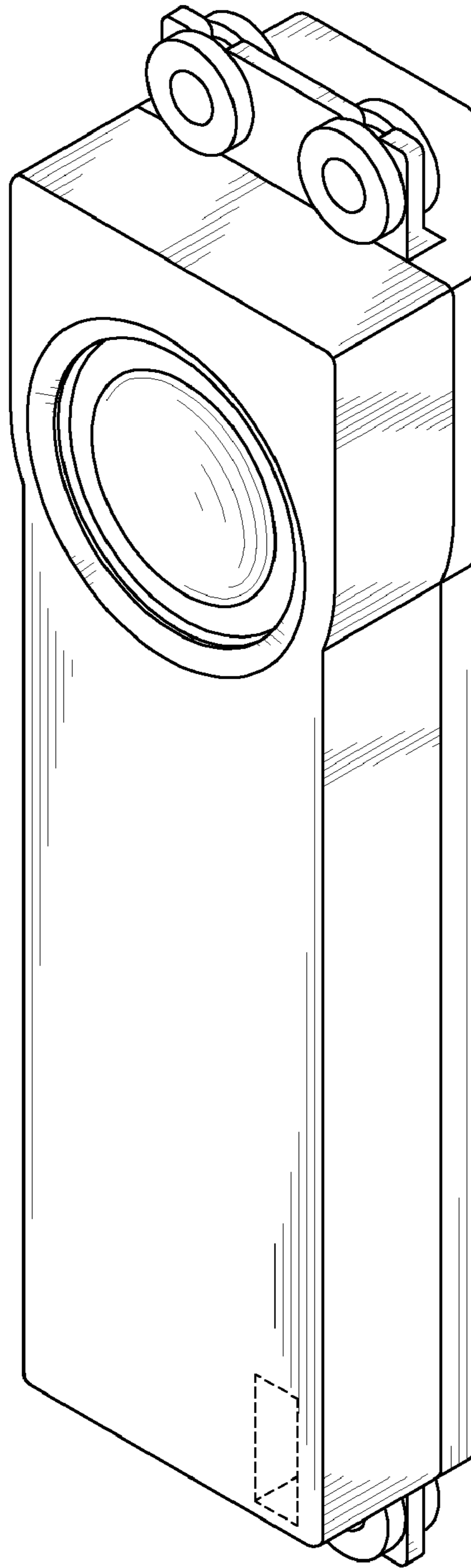


FIG. 8

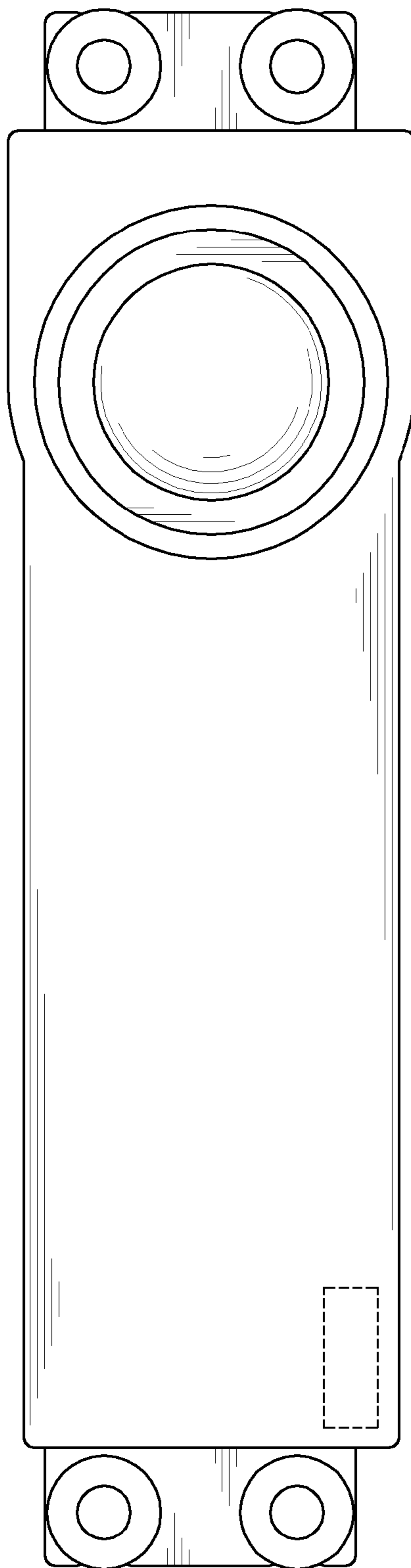


FIG. 9

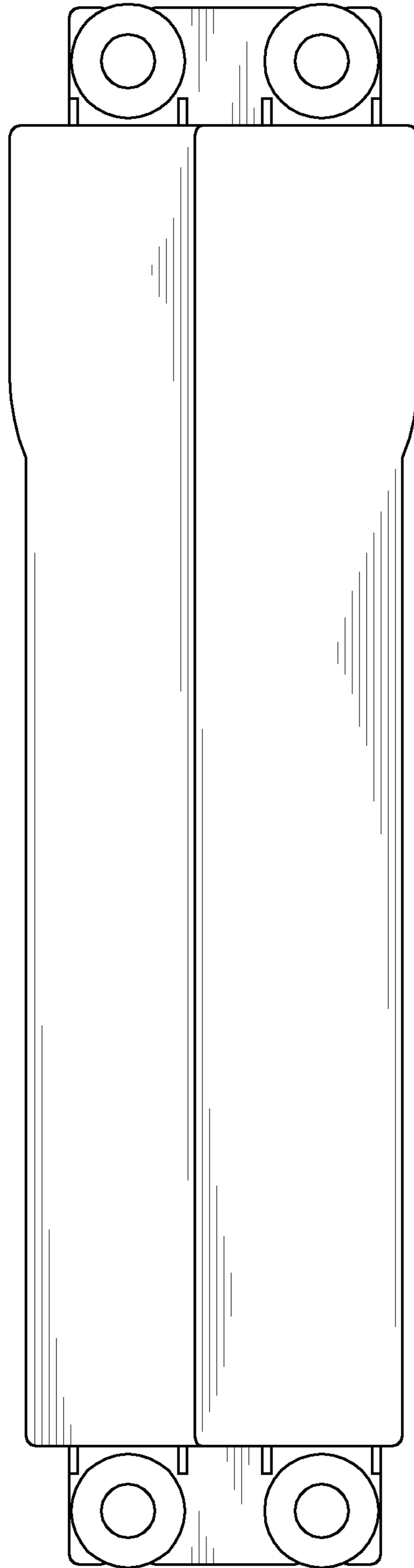


FIG. 10



FIG. 11

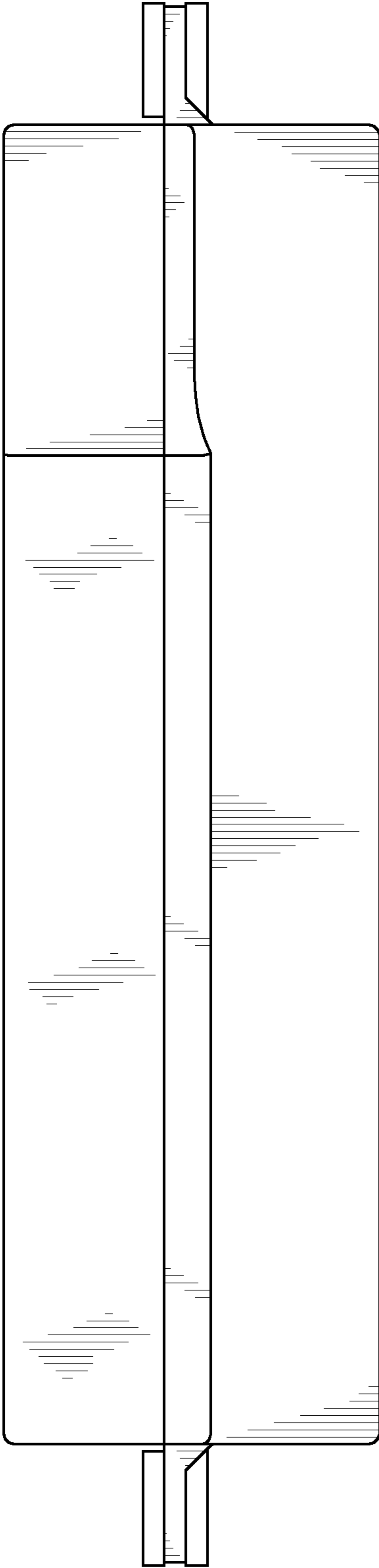


FIG. 12

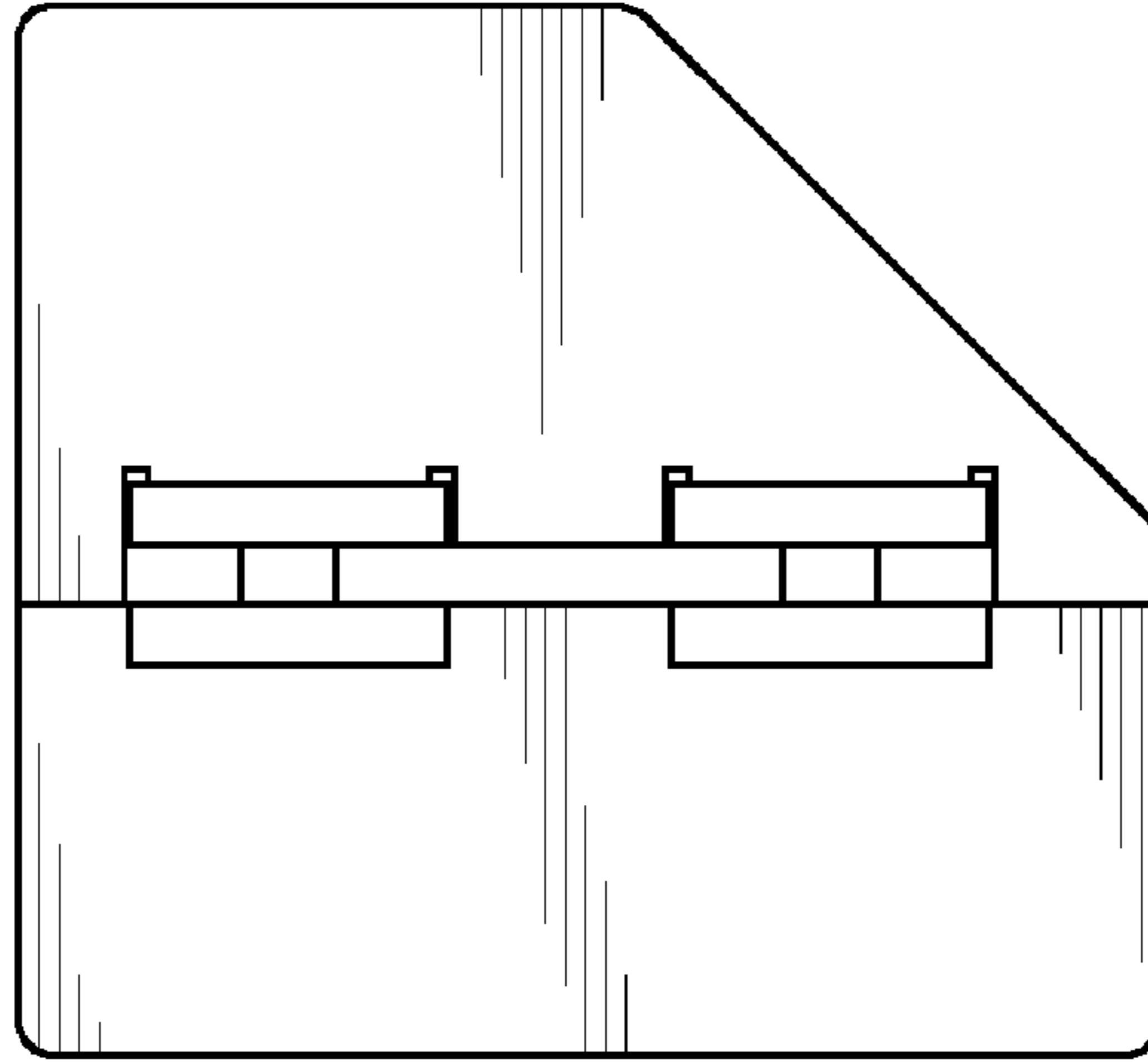


FIG. 13

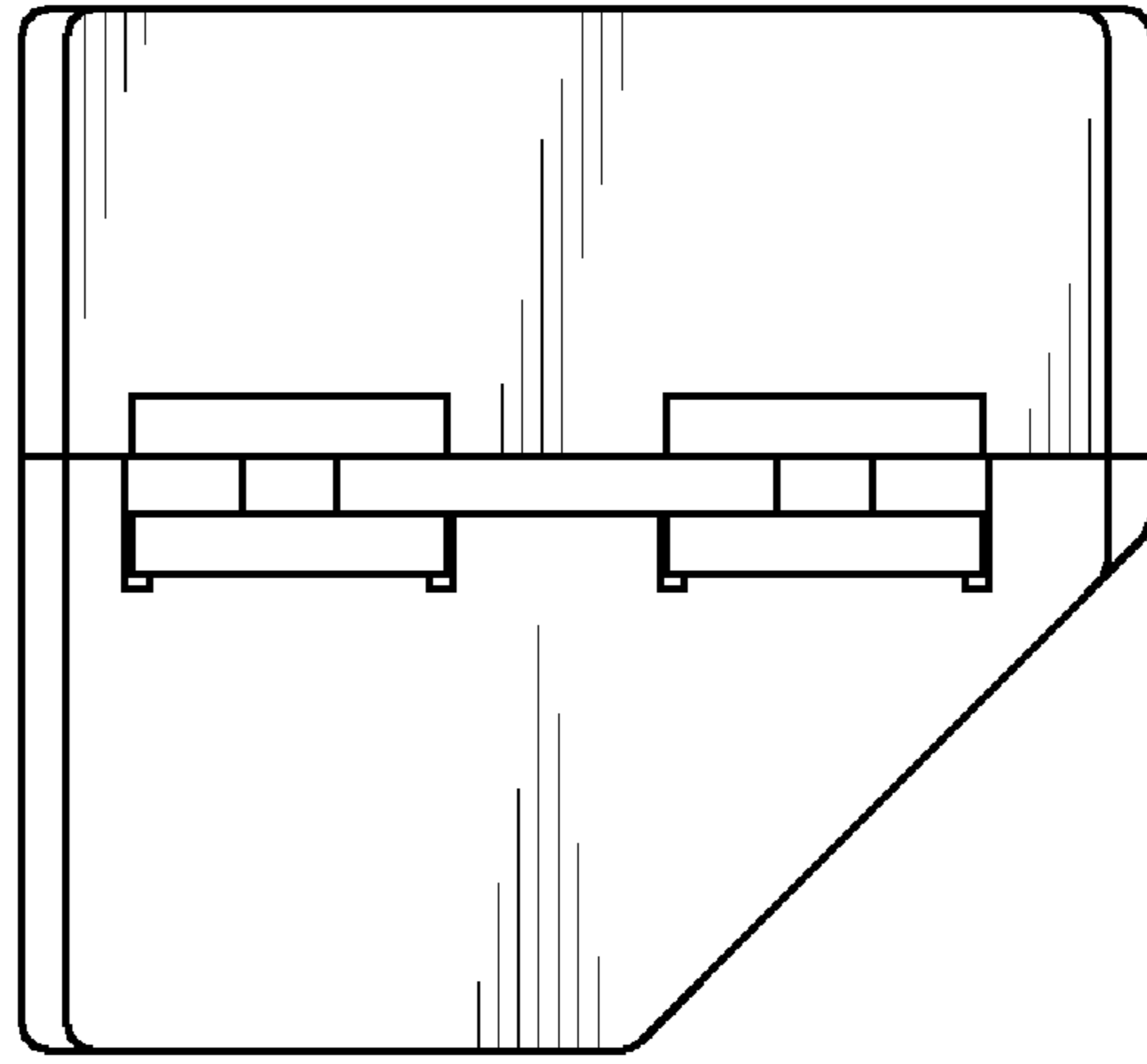


FIG. 14