

US00D635548S

(12) **United States Design Patent**
Kelley

(10) **Patent No.:** **US D635,548 S**

(45) **Date of Patent:** **** Apr. 5, 2011**

(54) **COMMUNICATIONS HEADSET**

(75) **Inventor:** **John Kelley**, Santa Cruz, CA (US)

(73) **Assignee:** **Plantronics, Inc.**, Santa Cruz, CA (US)

(**) **Term:** **14 Years**

(21) **Appl. No.:** **29/364,783**

(22) **Filed:** **Jun. 28, 2010**

(51) **LOC (9) Cl.** **14-01**

(52) **U.S. Cl.** **D14/206**

(58) **Field of Classification Search** D14/205,
D14/206, 223; 181/129, 130, 135; 379/430,
379/431; 381/380, 381; D29/112; 2/209;
455/90.3, 569.1, 575.2

See application file for complete search history.

(56) **References Cited**

U.S. PATENT DOCUMENTS

5,793,878	A	*	8/1998	Chang	381/370
6,154,539	A	*	11/2000	Pitel	379/430
D443,870	S	*	6/2001	Carpenter et al.	D14/206
D458,247	S	*	6/2002	Davies et al.	D14/206
D488,146	S	*	4/2004	Minto	D14/206
D498,470	S	*	11/2004	Skulley et al.	D14/206
D514,086	S	*	1/2006	Skulley	D14/206

D531,165	S	*	10/2006	Rath	D14/206
D535,286	S	*	1/2007	Brennwald	D14/206
D538,785	S	*	3/2007	Skulley	D14/206
D540,778	S	*	4/2007	Thompson et al.	D14/206
D587,683	S	*	3/2009	Ham et al.	D14/205
D587,684	S	*	3/2009	Ham et al.	D14/205
D589,934	S	*	4/2009	Esses	D14/206
D601,543	S	*	10/2009	Bentley	D14/206
D628,189	S	*	11/2010	Rath	D14/206

* cited by examiner

Primary Examiner — Paula Greene

(74) *Attorney, Agent, or Firm* — Michael Rodriguez

(57) **CLAIM**

The ornamental design for a communications headset, as shown and described.

DESCRIPTION

FIG. 1 is front-top-right perspective view of a communications headset showing my new design;

FIG. 2 is a top view thereof;

FIG. 3 is a bottom view thereof;

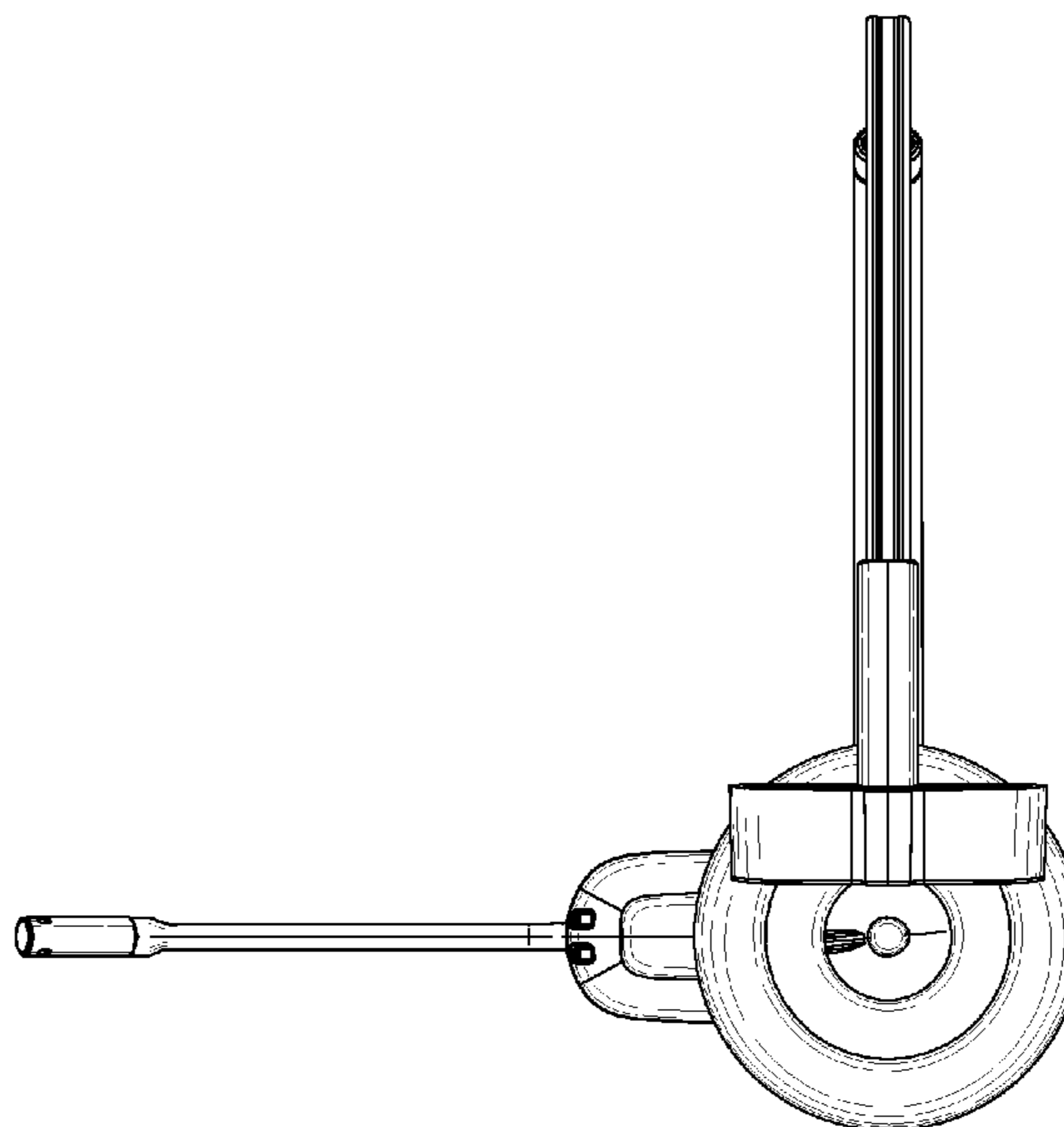
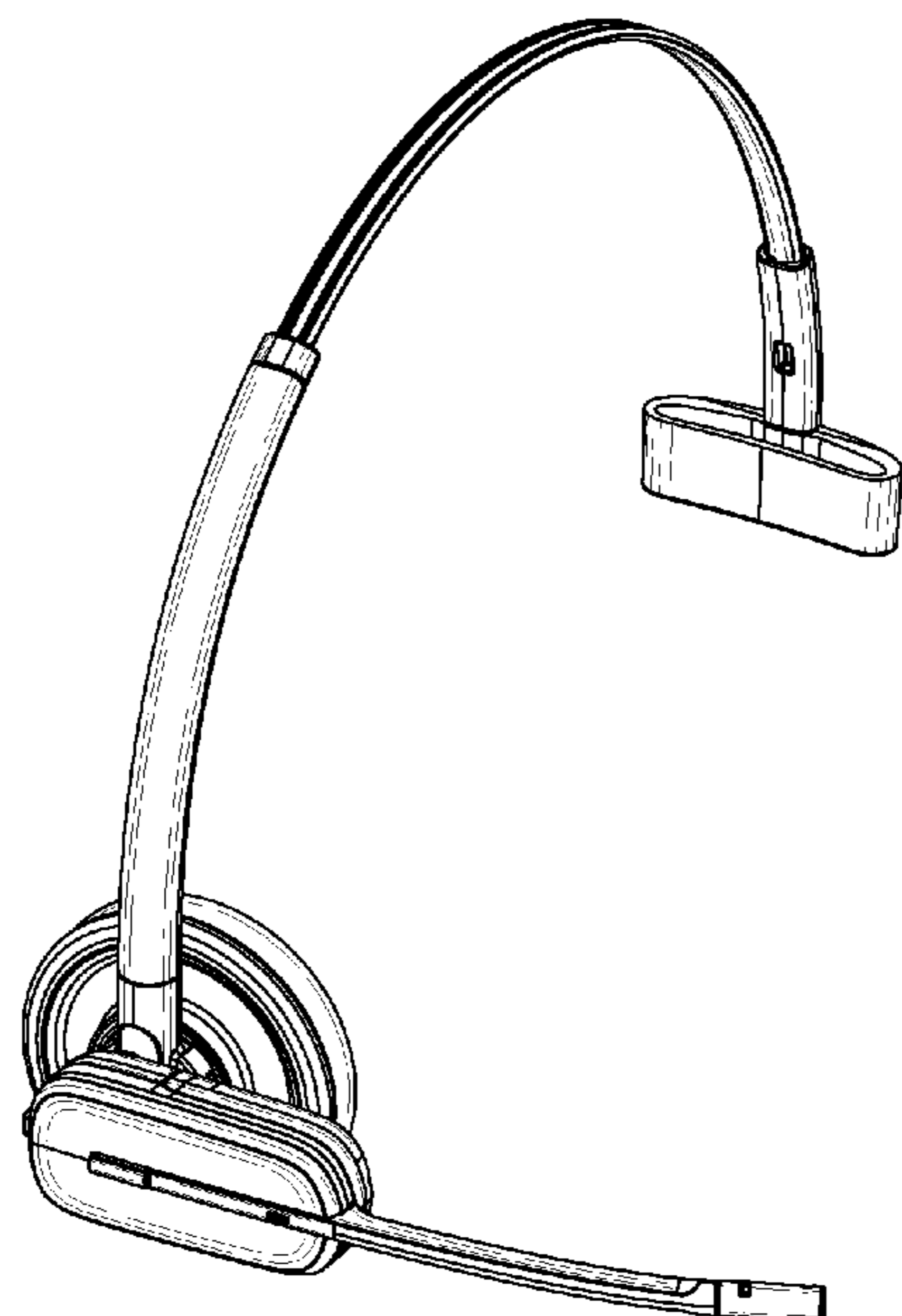
FIG. 4 is a front view thereof;

FIG. 5 is a back view thereof;

FIG. 6 is a left view thereof; and,

FIG. 7 is a right view thereof.

1 Claim, 3 Drawing Sheets



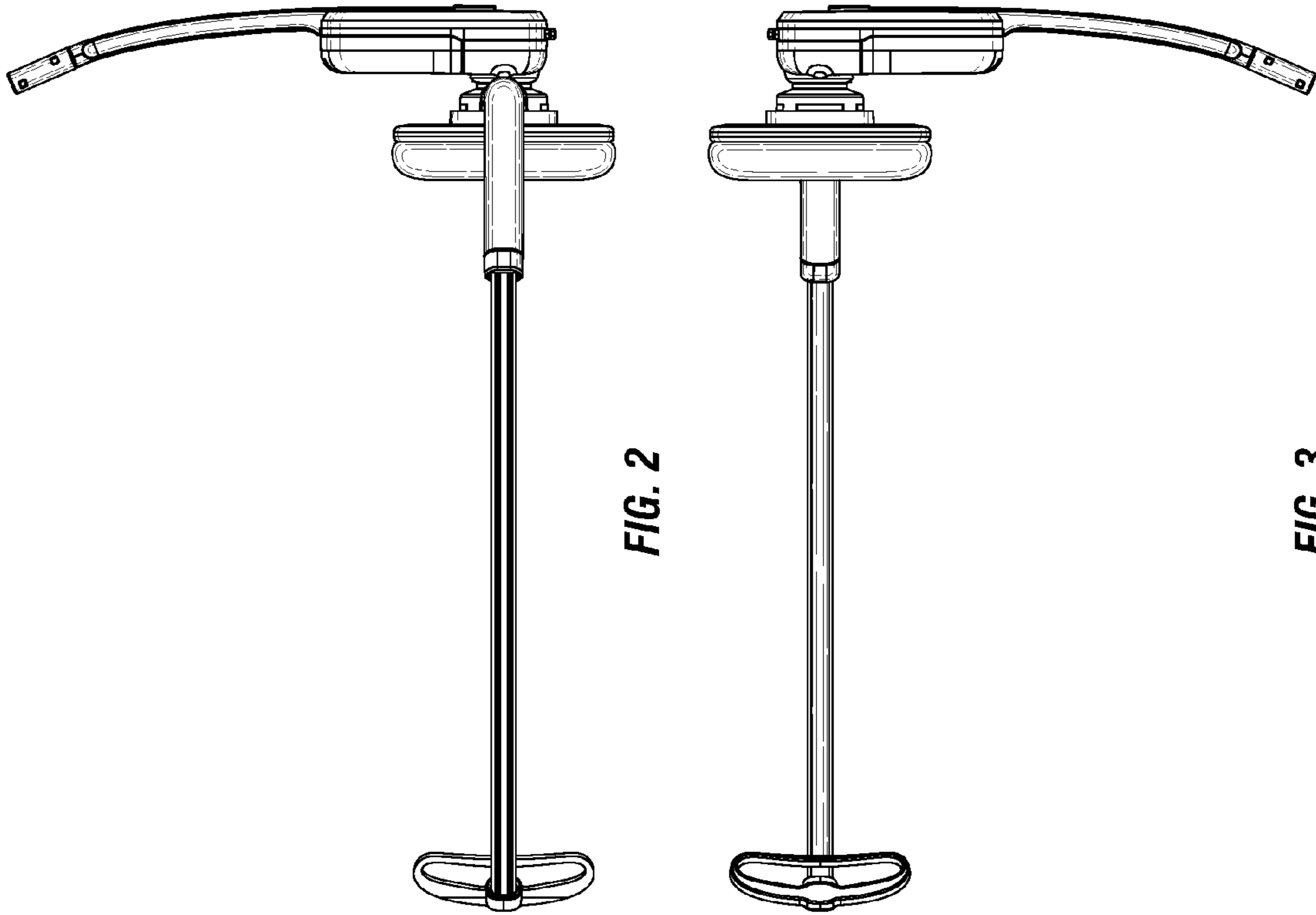


FIG. 2

FIG. 3

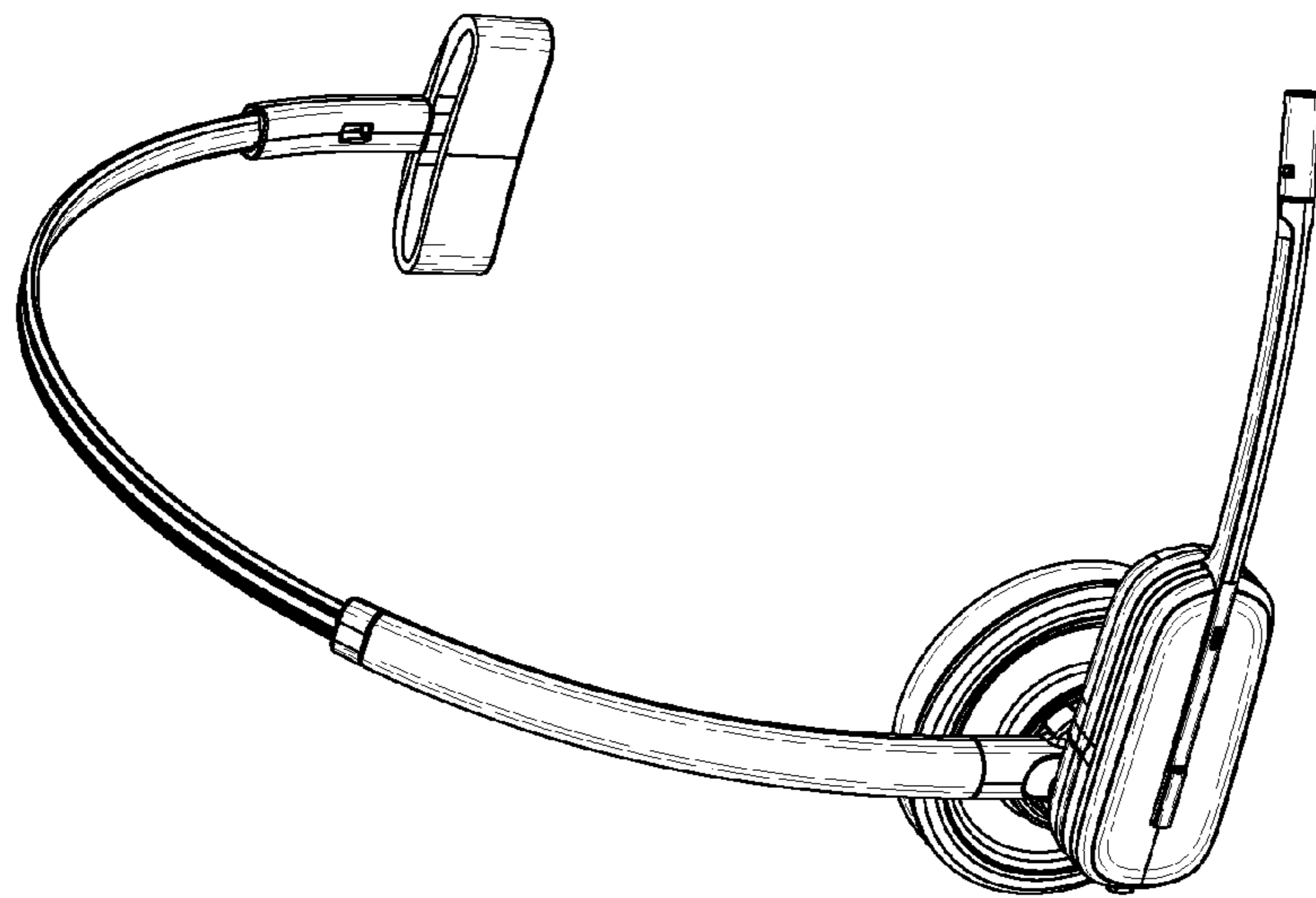


FIG. 1

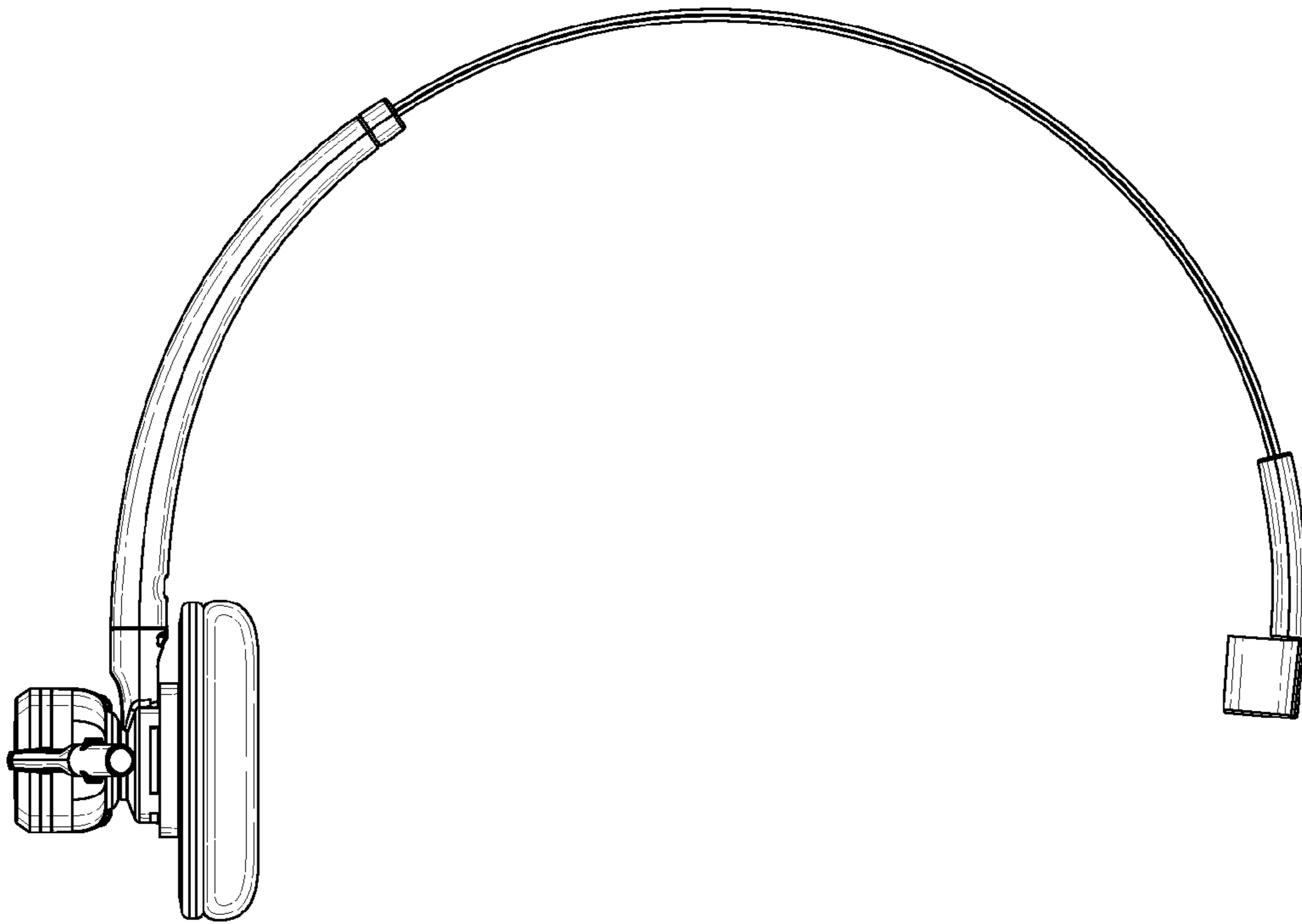


FIG. 4

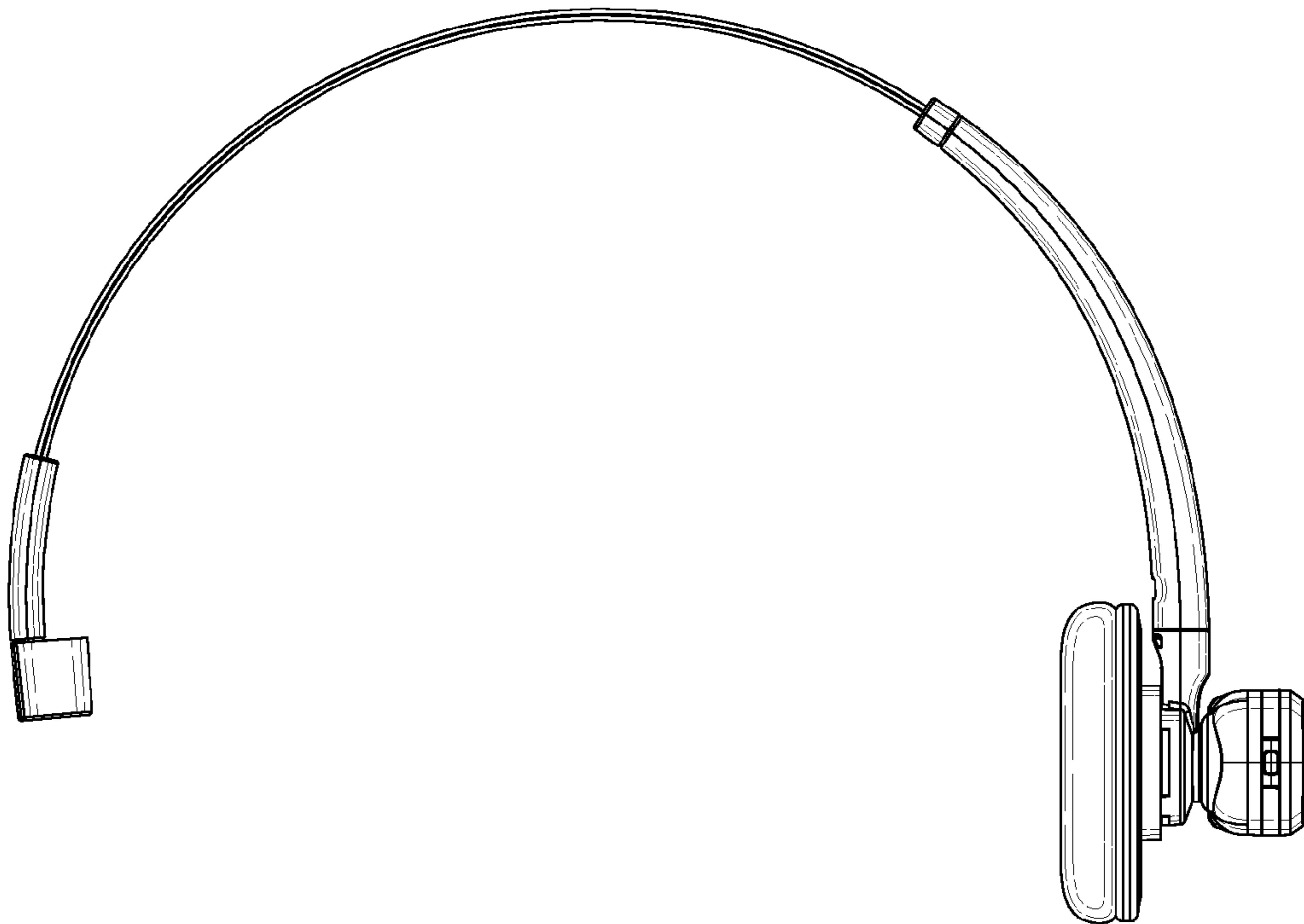


FIG. 5

